



US00D731722S

(12) **United States Design Patent**
Yoon et al.

(10) **Patent No.:** **US D731,722 S**
(45) **Date of Patent:** **** Jun. 9, 2015**

(54) **DUST RECEPTACLE FOR CLEANER**

(71) Applicant: **Samsung Electronics Co., Ltd.**,
Suwon-si, Gyeonggi-do (KR)

(72) Inventors: **Soo-Hyun Yoon**, Seoul (KR);
Yeon-Young Nam, Goyang-Si (KR)

(73) Assignee: **SAMSUNG ELECTRONICS CO., LTD.** (KR)

(**) Term: **14 Years**

(21) Appl. No.: **29/490,166**

(22) Filed: **May 7, 2014**

(30) **Foreign Application Priority Data**

Nov. 8, 2013 (KR) 30-2013-0056379

(51) **LOC (10) Cl.** **15-05**

(52) **U.S. Cl.**
USPC **D32/31**

(58) **Field of Classification Search**
USPC 301/95.101, 105.1, 5.1; D12/501, 204,
D12/208; D32/21, 23-24, 31
CPC A47L 7/0038; A47L 5/36-5/367;
A47L 5/24; A47L 5/14; A47L 5/28; A47L
7/0019; A47L 7/0023; A47L 7/0004; A47L
9/1666; A47L 9/1683; A47L 11/34; A47L
11/4072; A47L 9/009; A47L 11/40
See application file for complete search history.

(56) **References Cited**

U.S. PATENT DOCUMENTS

D455,877	S	*	4/2002	Alford et al.	D32/30
D481,844	S	*	11/2003	Greene et al.	D32/30
D483,535	S	*	12/2003	Leyden et al.	D32/30
D522,701	S	*	6/2006	Scheifele et al.	D32/25
7,882,592	B2	*	2/2011	Hwang et al.	15/353
8,048,180	B2	*	11/2011	Oh et al.	55/337
8,176,597	B2	*	5/2012	Stein et al.	15/353
8,404,034	B2	*	3/2013	Hwang et al.	96/417
8,728,186	B2	*	5/2014	Kim et al.	55/337
2006/0130646	A1	*	6/2006	Seo et al.	95/8
2011/0099750	A1	*	5/2011	Chong et al.	15/352

* cited by examiner

Primary Examiner — Ruth McInroy

(74) *Attorney, Agent, or Firm* — Cantor Colburn LLP

(57) **CLAIM**

We claim, the ornamental design for a dust receptacle for cleaner, as shown and described.

DESCRIPTION

FIG. 1 is a perspective view of a dust receptacle for cleaner, showing our new design;
FIG. 2 is a front elevation view thereof;
FIG. 3 is a rear elevation view thereof;
FIG. 4 is a side elevation view thereof;
FIG. 5 is a another side elevation view thereof;
FIG. 6 is a top plan view thereof;
FIG. 7 is a bottom plan view thereof; and,
FIG. 8 is a rear perspective view thereof.
The broken lines illustrating portions of a cleaner are for environmental purposes only and form no part of the claimed design.

1 Claim, 8 Drawing Sheets

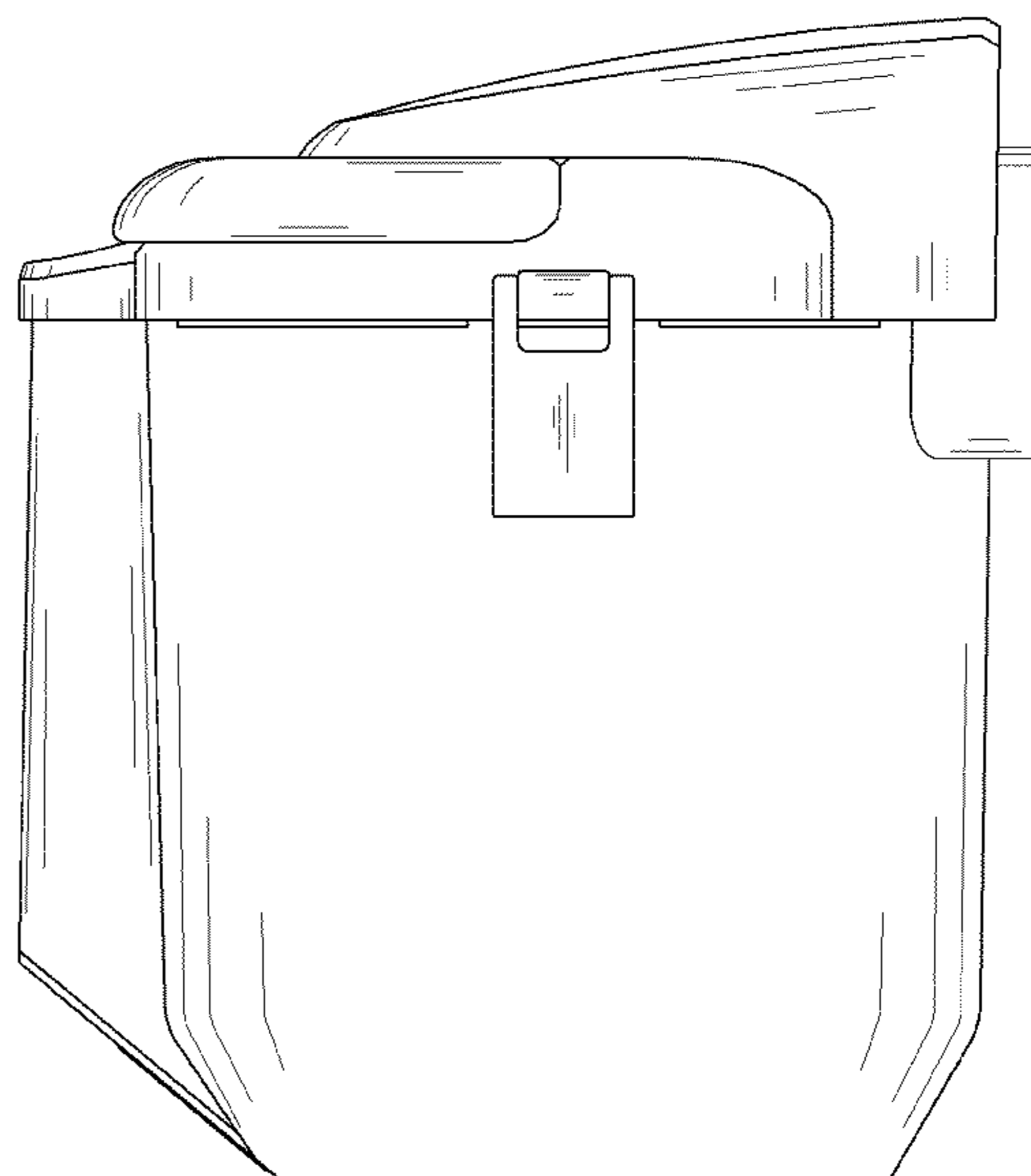
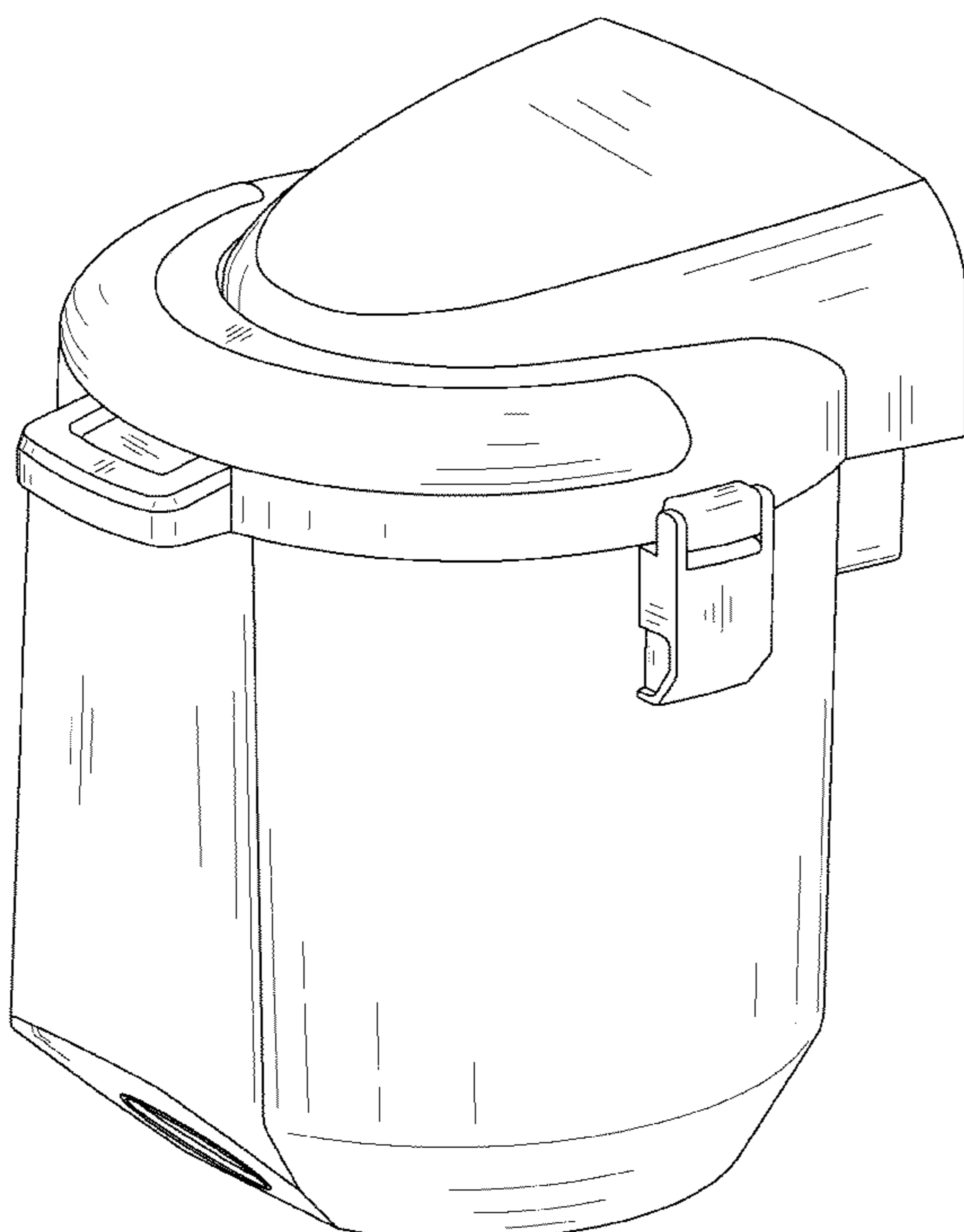


FIG. 1

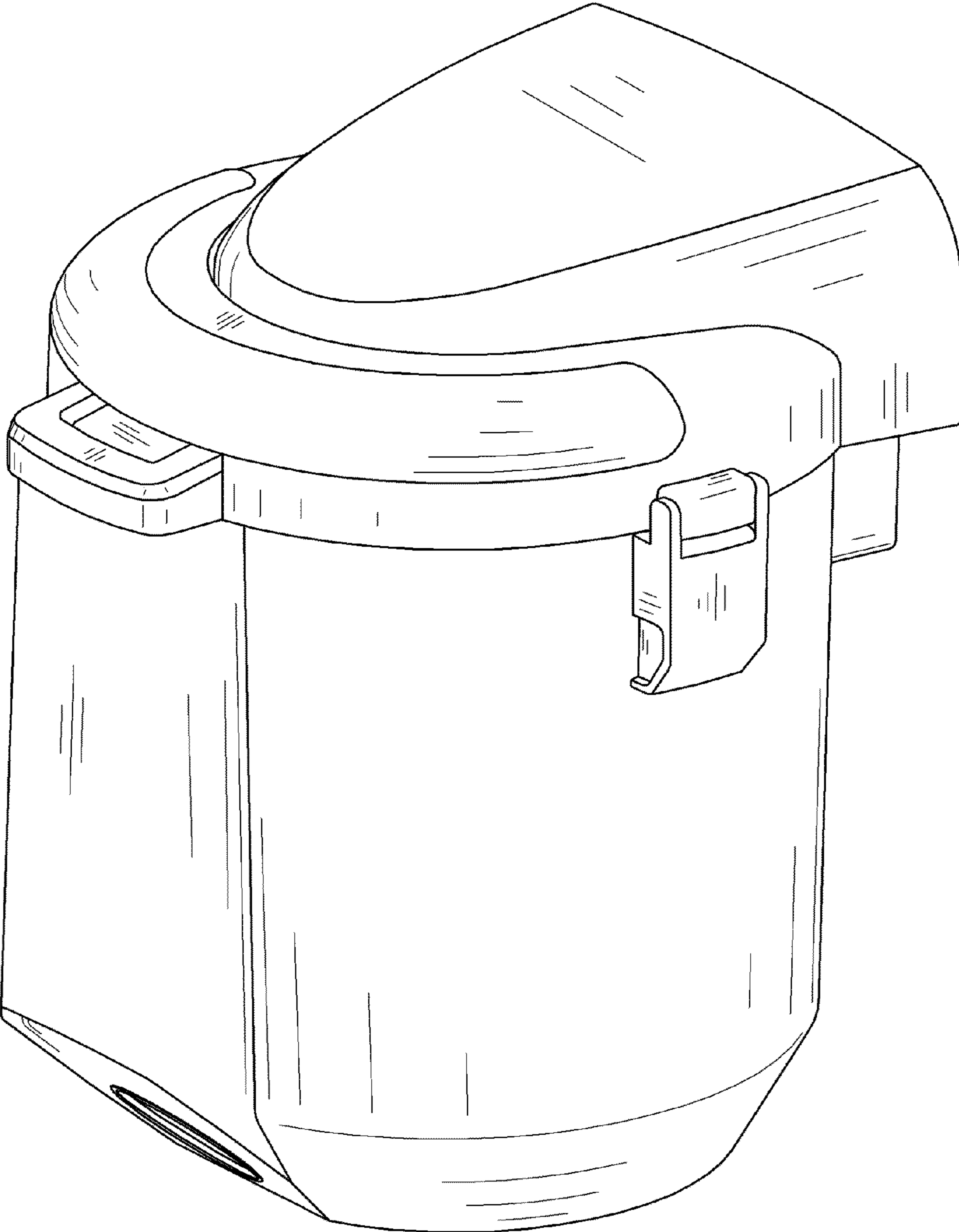


FIG. 2

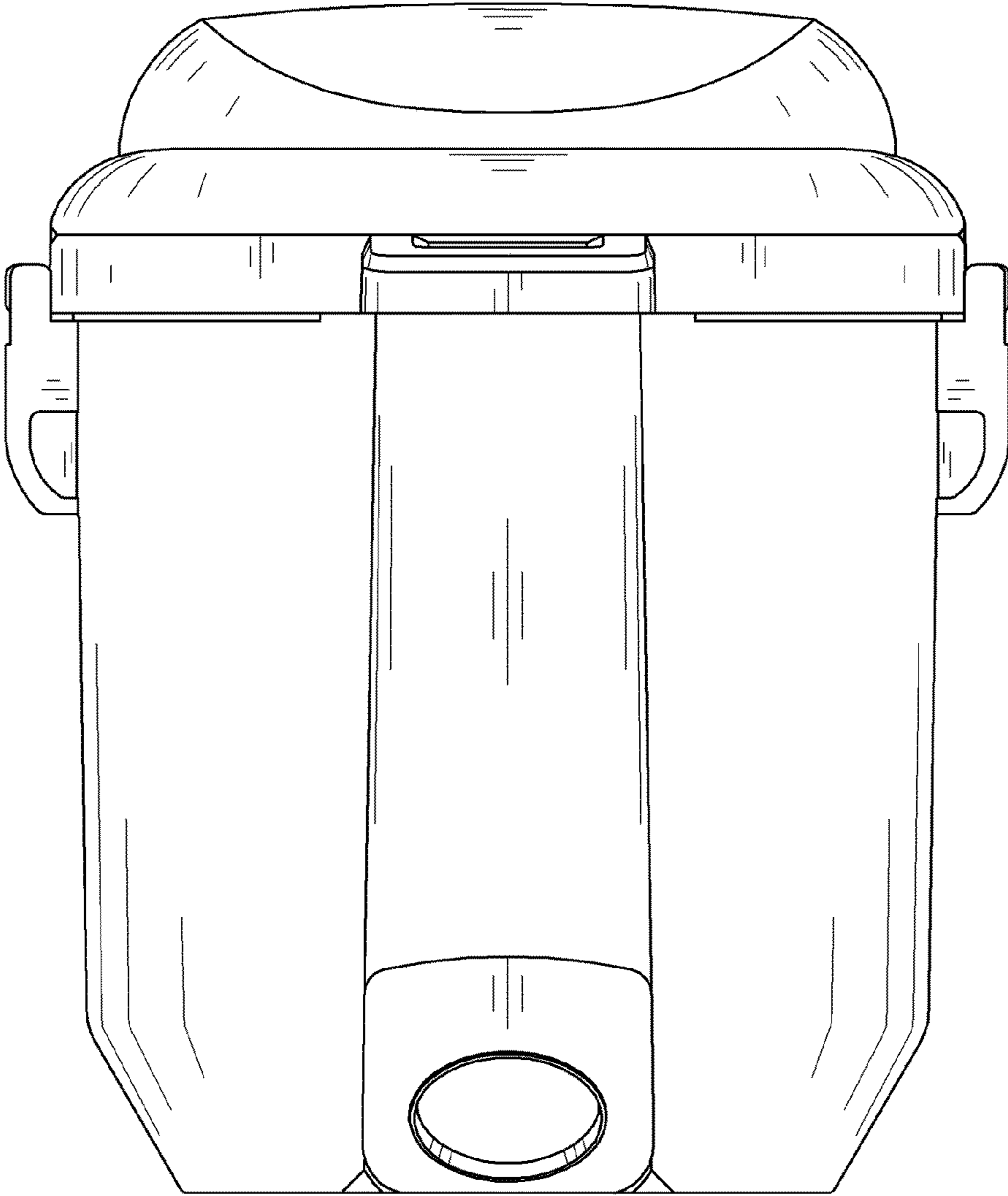


FIG. 3

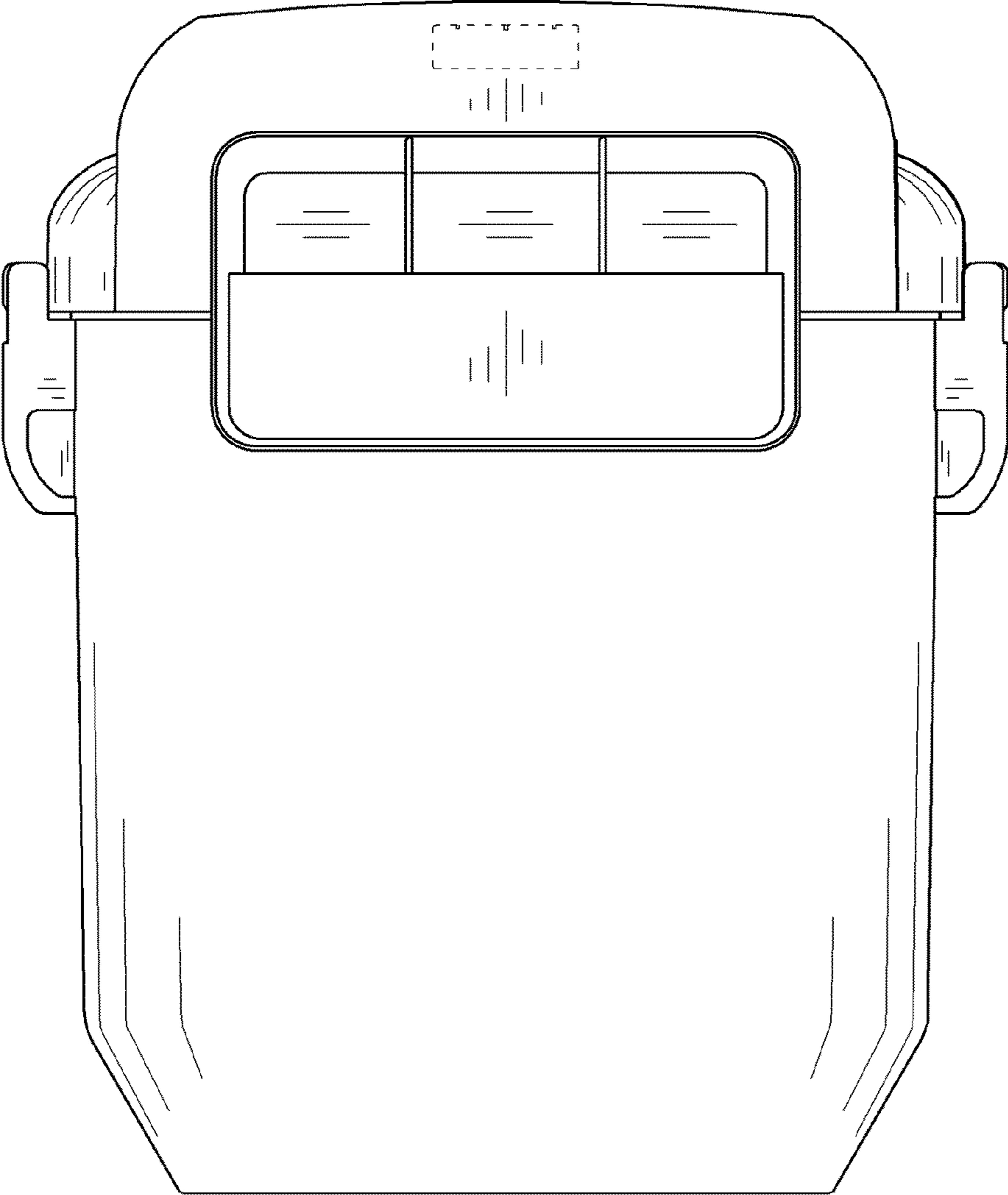


FIG. 4

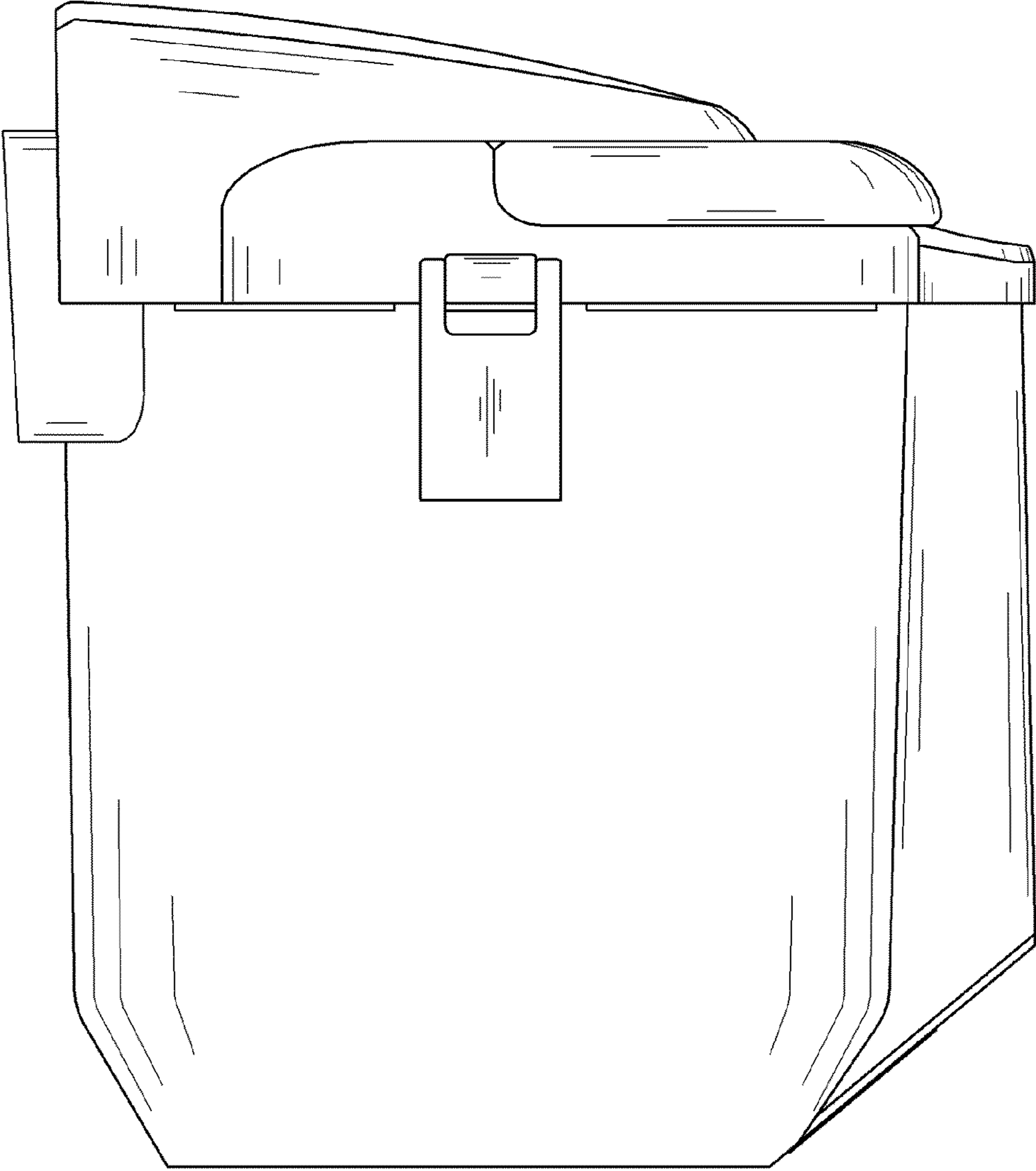


FIG. 5

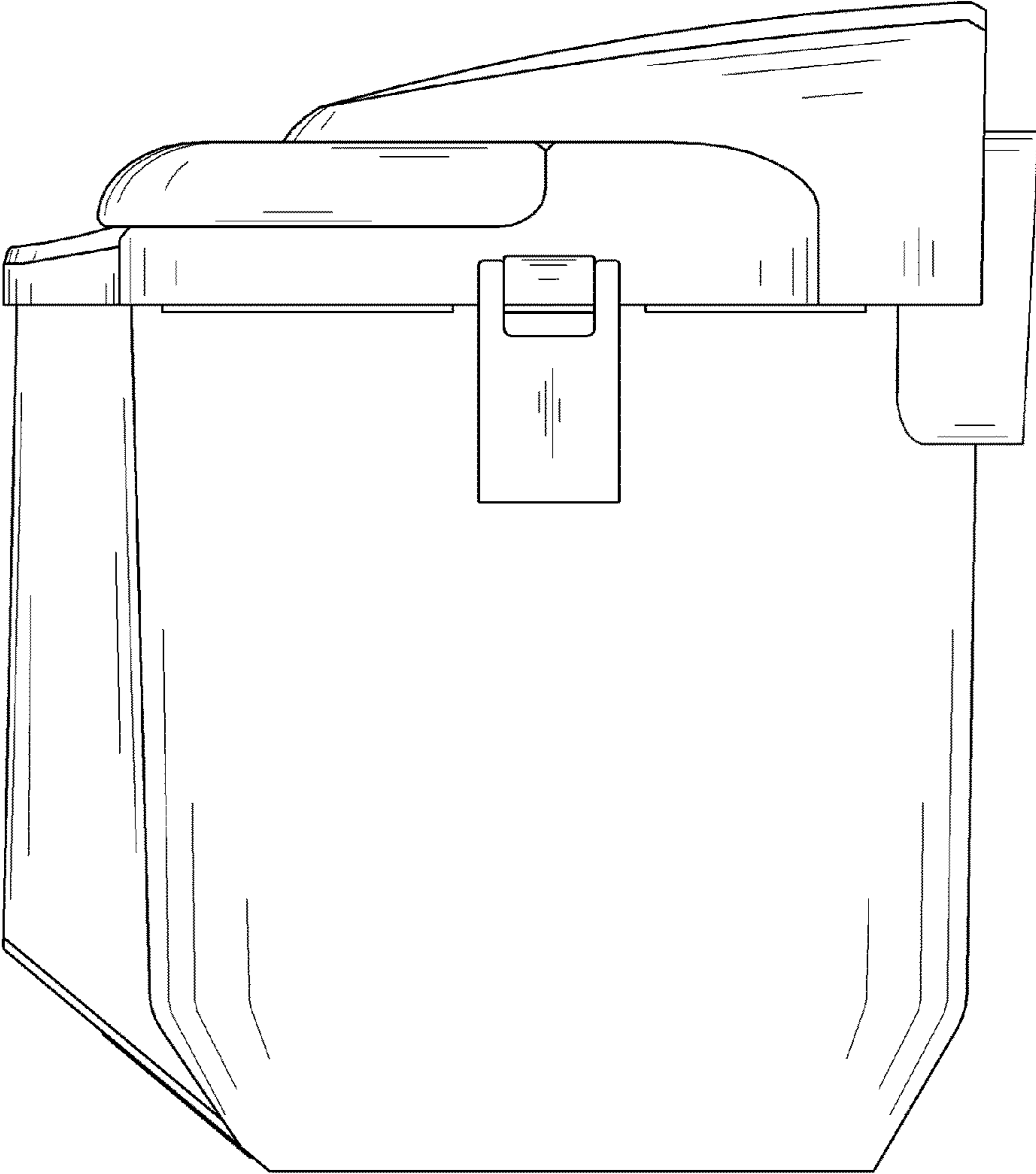


FIG. 6

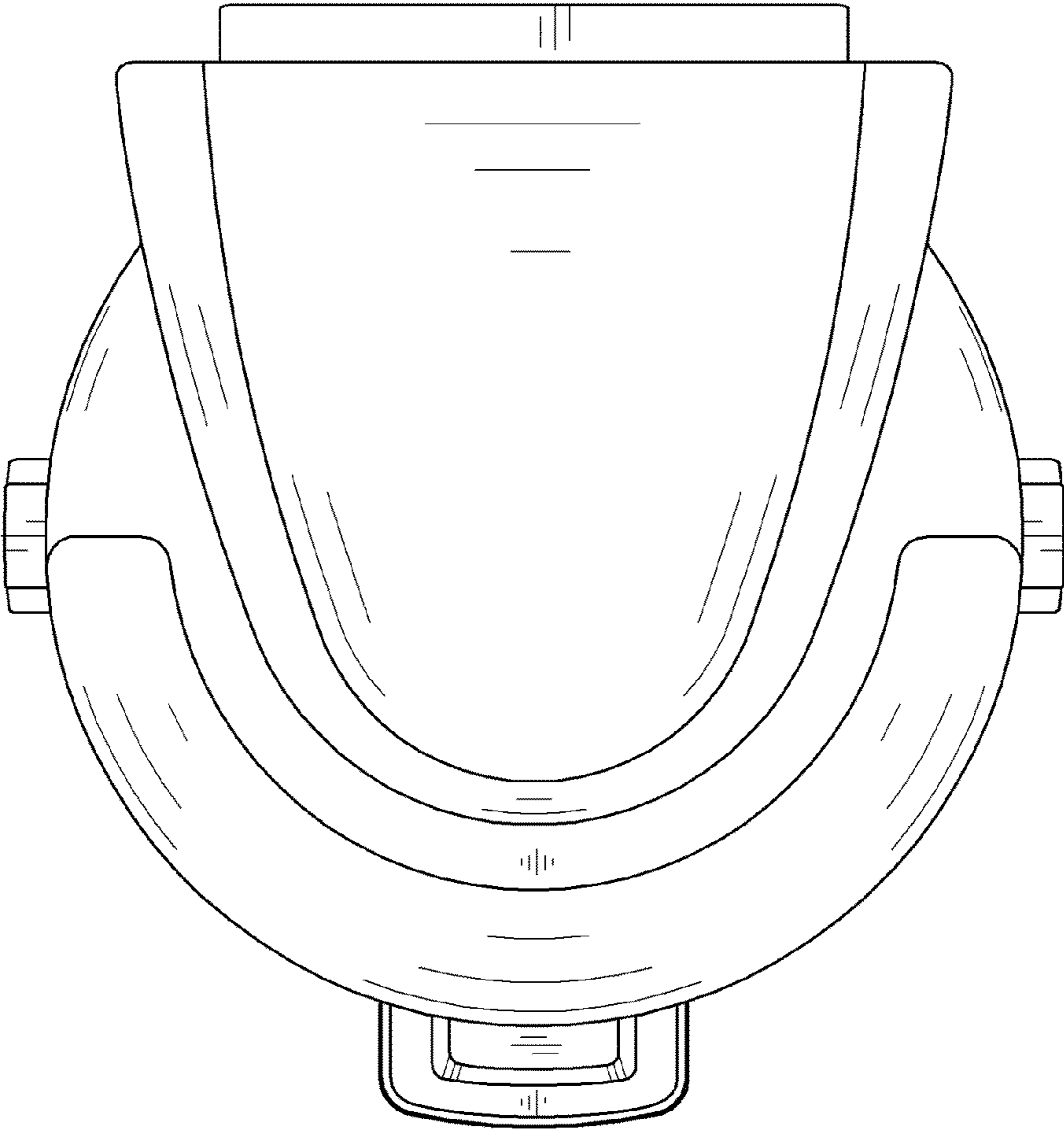


FIG. 7

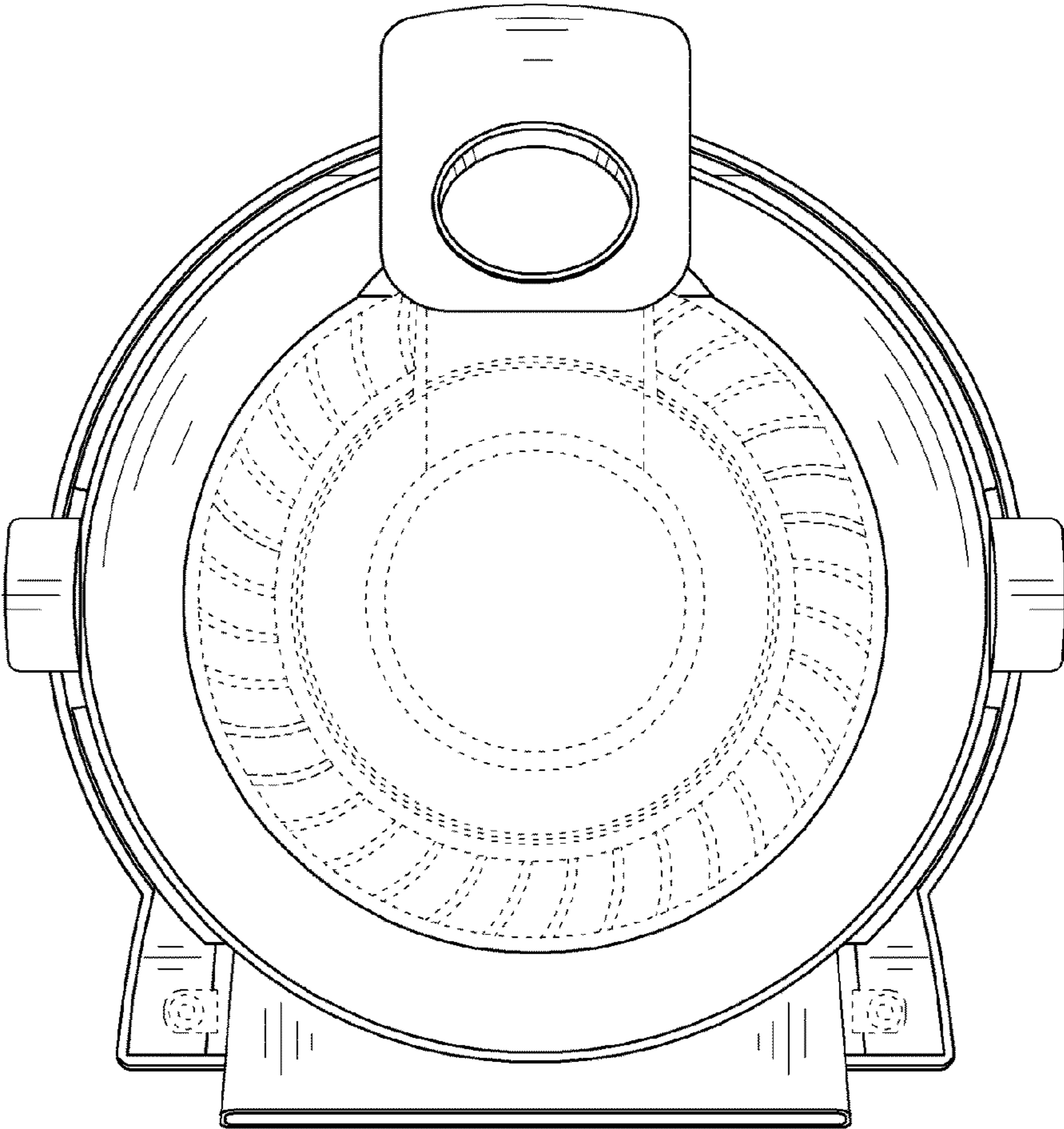


FIG. 8

