



US00D731720S

(12) **United States Design Patent**  
**Gidwell et al.**

(10) **Patent No.:** **US D731,720 S**  
(45) **Date of Patent:** **\*\* Jun. 9, 2015**

(54) **VACUUM CLEANER**

(71) Applicant: **Euro-Pro Operating LLC**, Newton, MA (US)

(72) Inventors: **Christopher Gidwell**, Auburndale, MA (US); **Gary Palladino**, Somerville, MA (US)

(73) Assignee: **Euro-Pro Operating LLC**, Newton, MA (US)

(\*\*) Term: **14 Years**

(21) Appl. No.: **29/472,263**

(22) Filed: **Nov. 11, 2013**

(51) **LOC (10) Cl.** ..... **15-05**

(52) **U.S. Cl.**  
USPC ..... **D32/18**

(58) **Field of Classification Search**  
USPC ..... D8/70; D32/21, 17, 18, 22, 31  
CPC ..... B26F 1/16; B23D 59/006; B24B 55/06;  
A47L 5/28; A47L 5/24; A47L 11/069; B23Q  
11/0046

See application file for complete search history.

(56) **References Cited**

**U.S. PATENT DOCUMENTS**

6,101,669 A \* 8/2000 Martin et al. .... 15/327.2  
D577,163 S \* 9/2008 Dyson et al. .... D32/21

D581,609 S \* 11/2008 Conrad et al. .... D32/21  
D585,608 S \* 1/2009 Conrad et al. .... D32/21  
7,931,716 B2 4/2011 Oakham  
8,146,201 B2 4/2012 Conrad  
D668,010 S 9/2012 Stickney et al.  
D668,823 S 10/2012 Stickney et al.  
8,689,395 B2 \* 4/2014 Conrad ..... 15/323  
2010/0229328 A1 9/2010 Conrad

\* cited by examiner

*Primary Examiner* — Ruth McInroy

(74) *Attorney, Agent, or Firm* — YANG IP Co, PLLC

(57) **CLAIM**

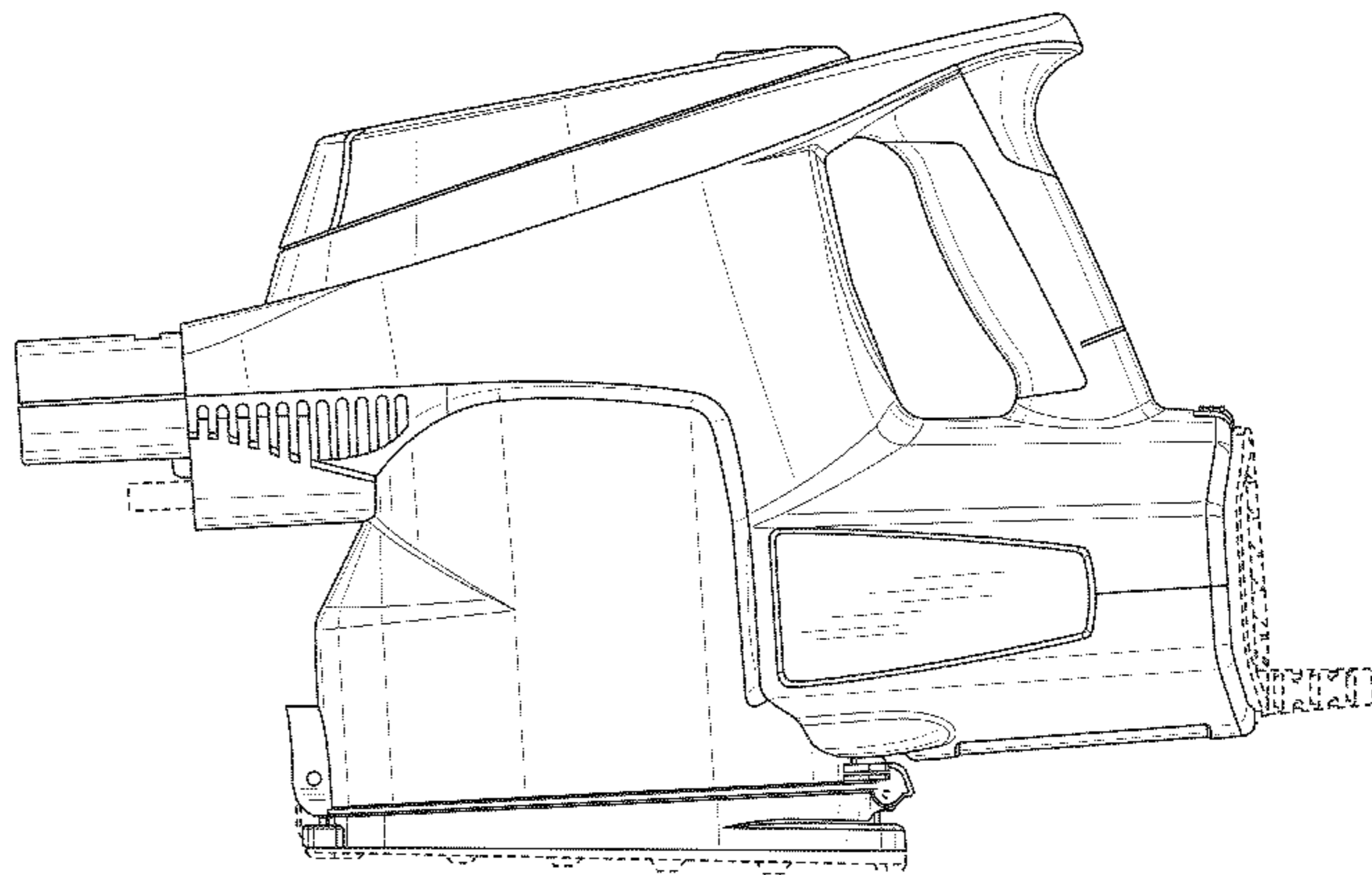
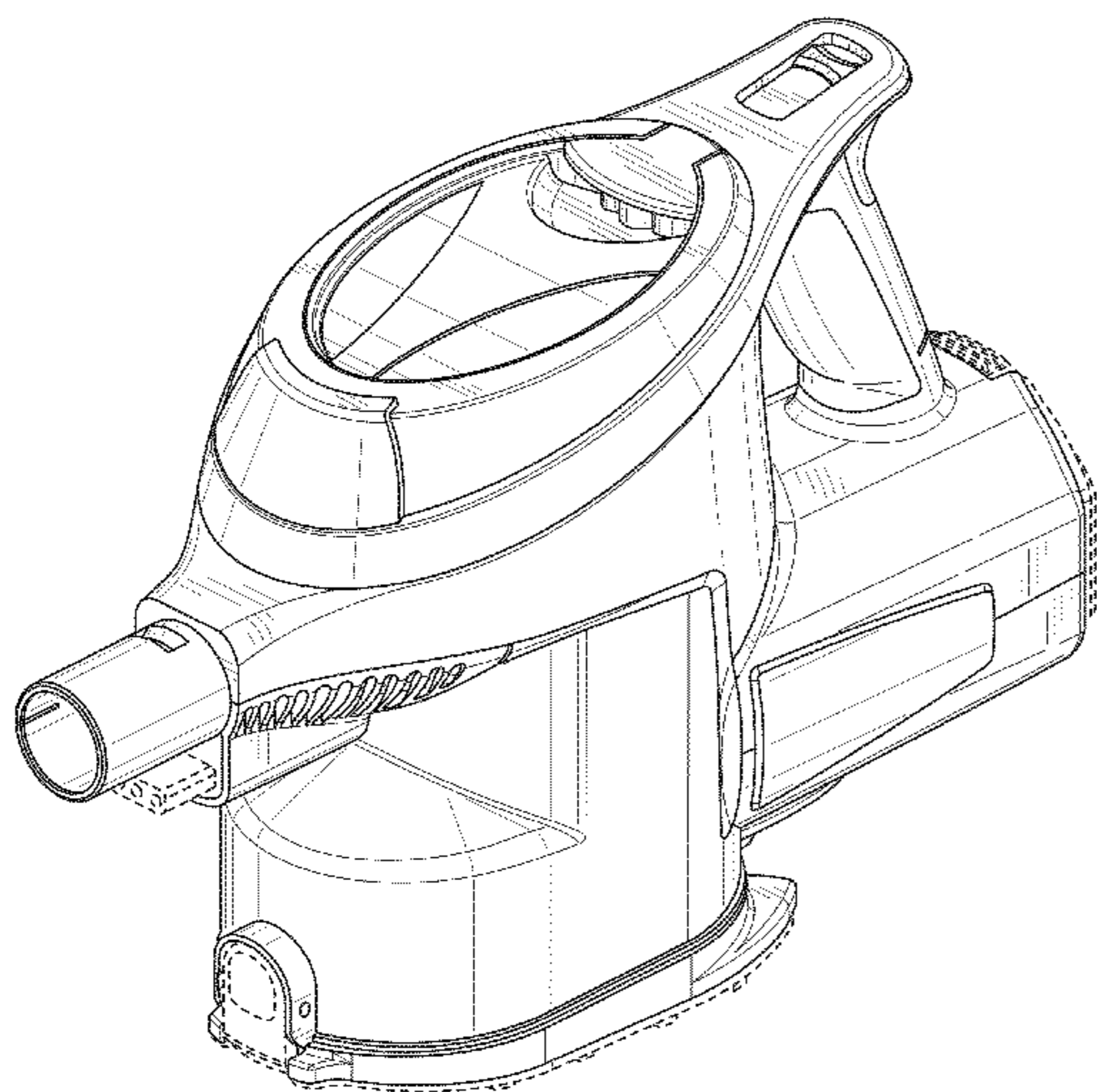
The ornamental design for a vacuum cleaner, as shown and described.

**DESCRIPTION**

FIG. 1 is a top, front perspective view of a vacuum cleaner showing our new design;  
FIG. 2 is a bottom, rear perspective view thereof;  
FIG. 3 is a side view thereof;  
FIG. 4 is a front view thereof;  
FIG. 5 is a side view of the opposite side of FIG. 3;  
FIG. 6 is a rear view thereof;  
FIG. 7 is a top view thereof; and,  
FIG. 8 is a bottom view thereof.

The details shown in broken lines form no part of the claimed design.

**1 Claim, 8 Drawing Sheets**



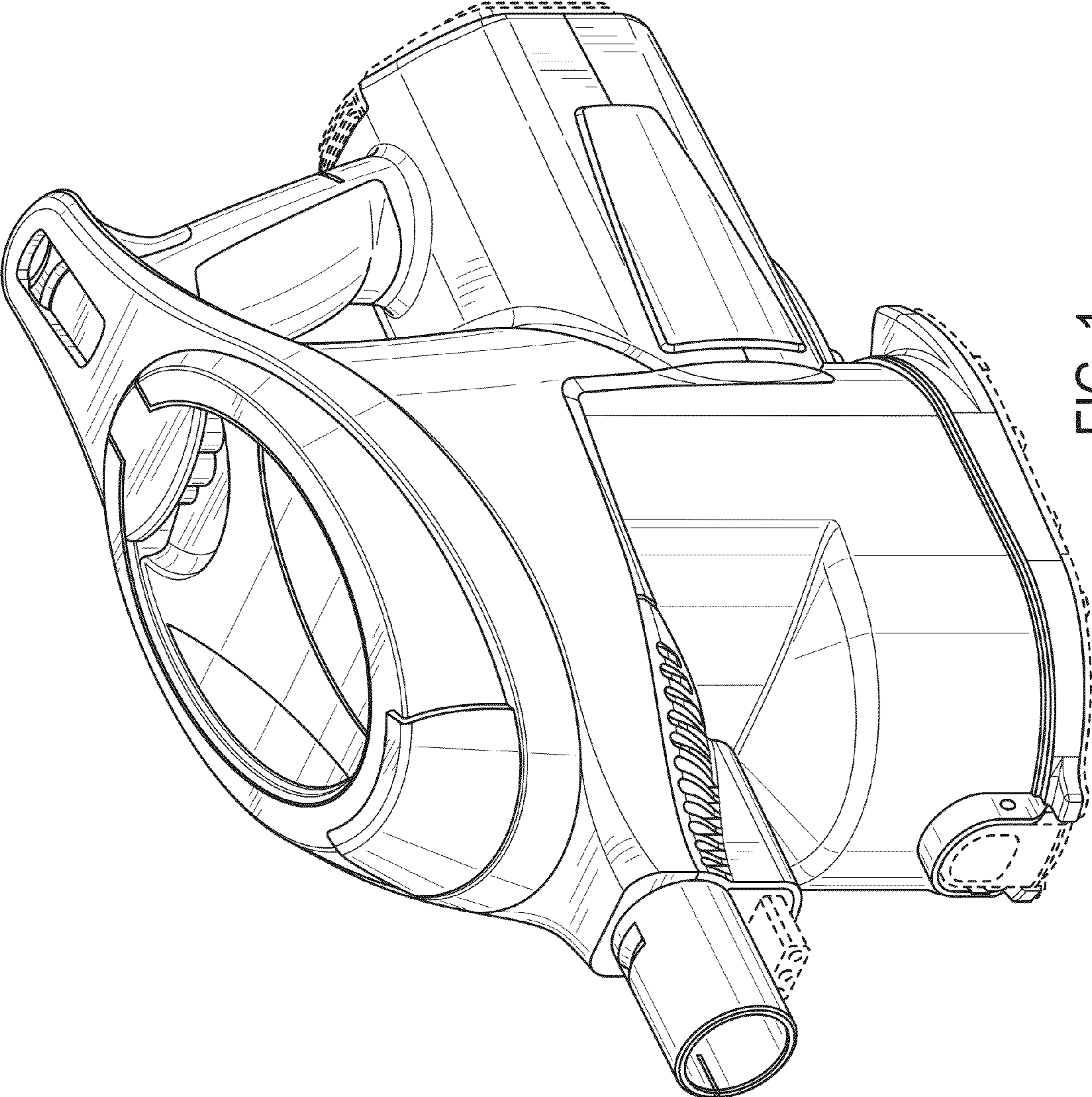


FIG. 1



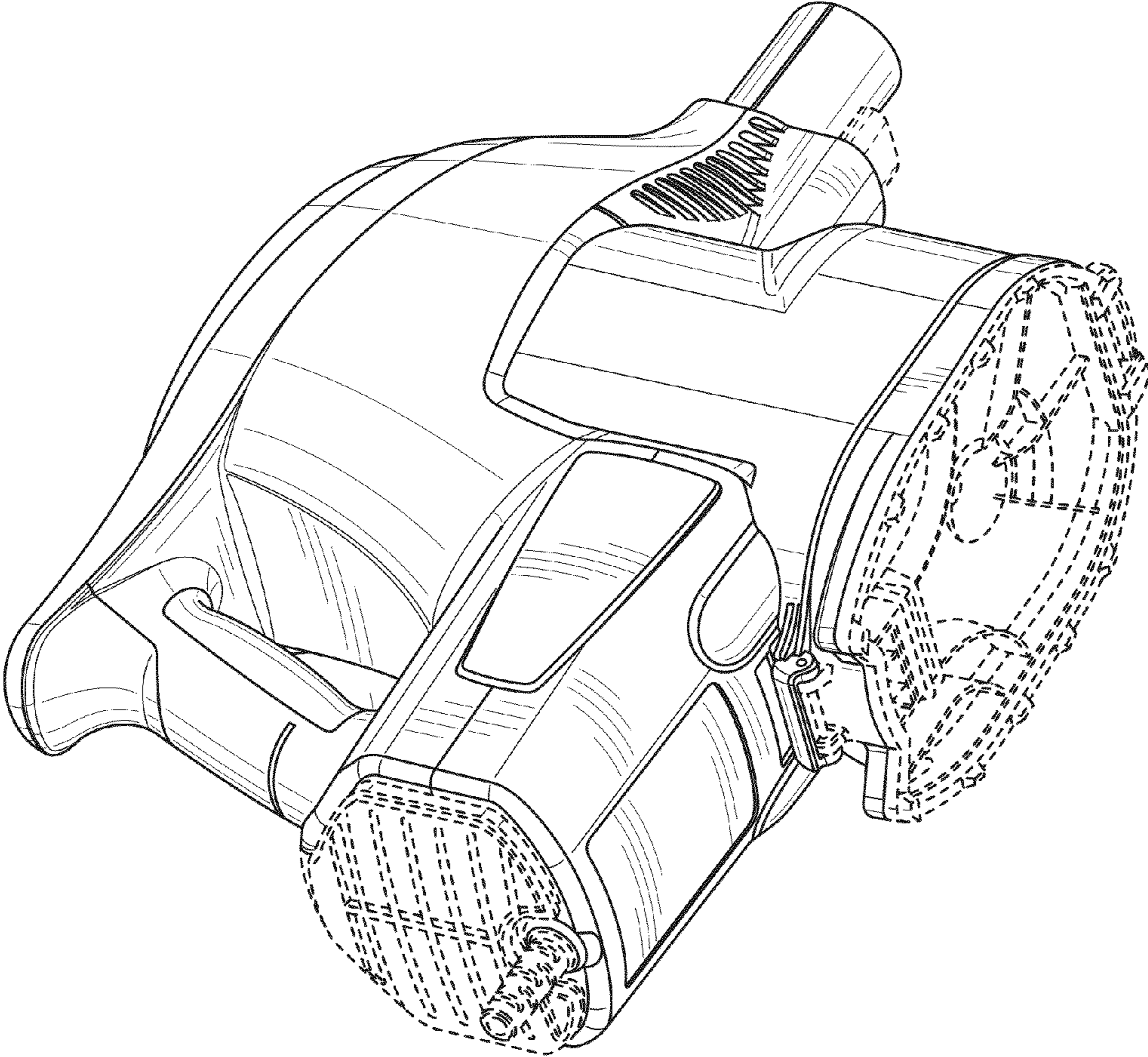


FIG. 2

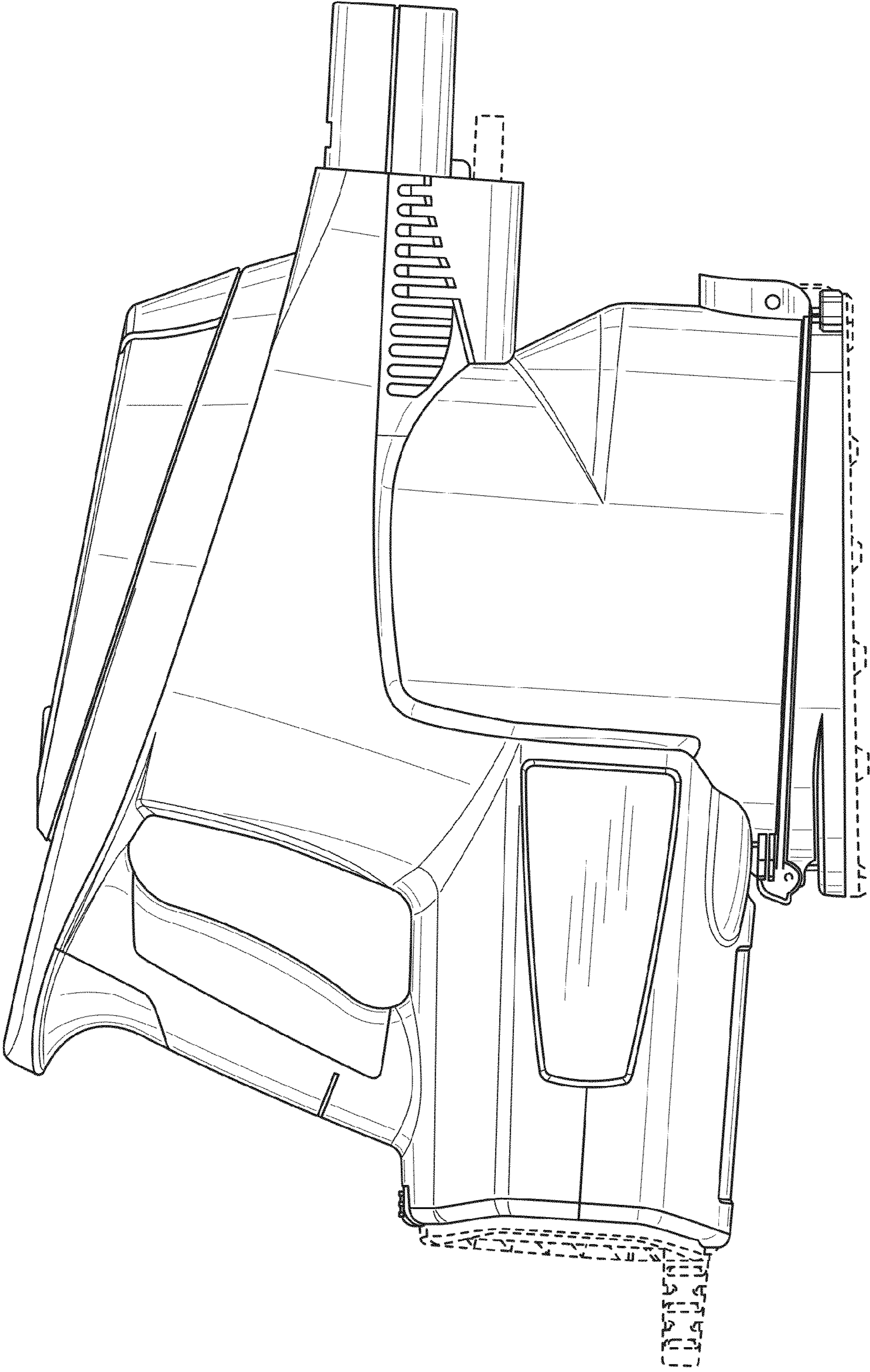


FIG. 3

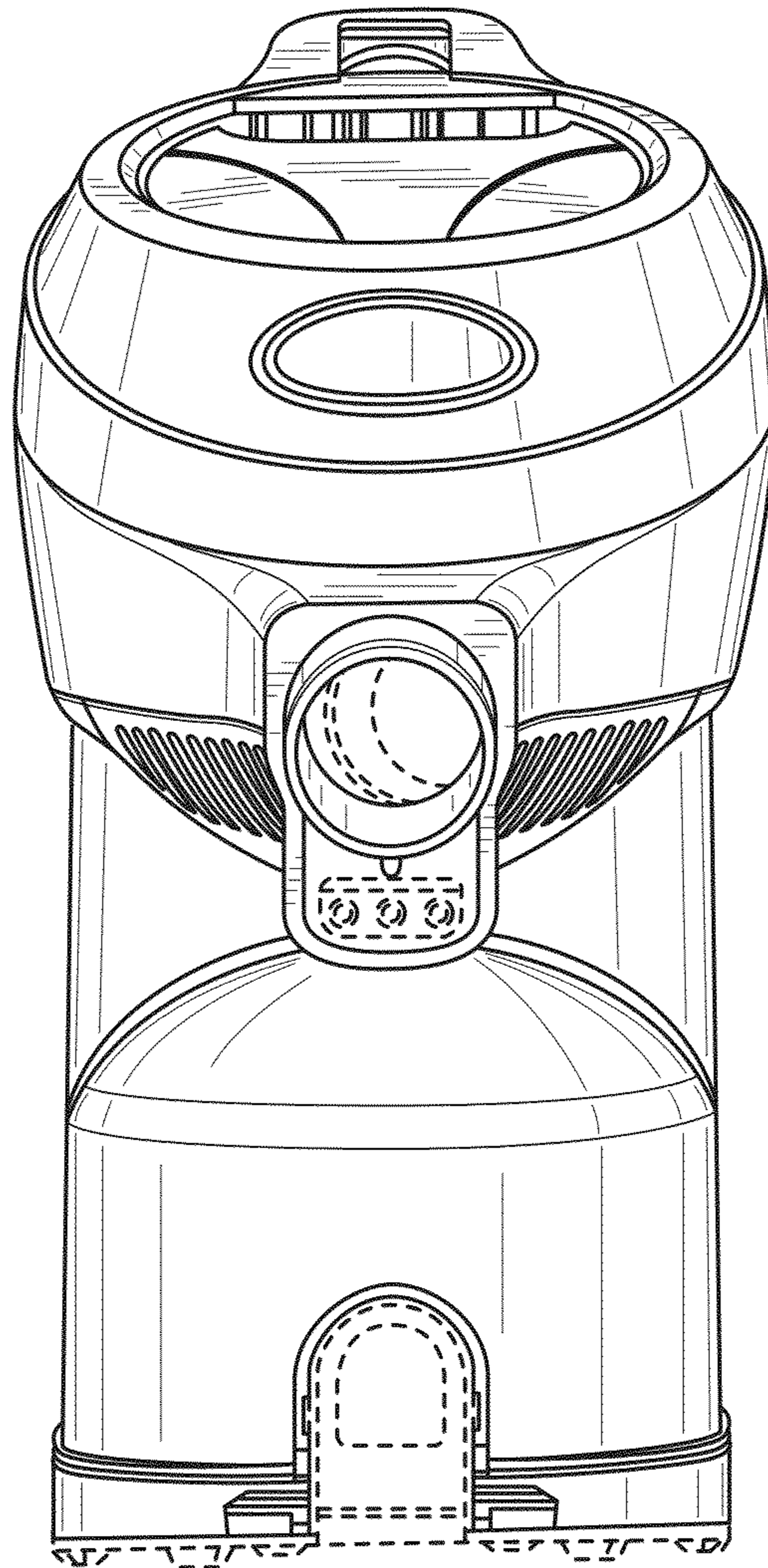


FIG. 4



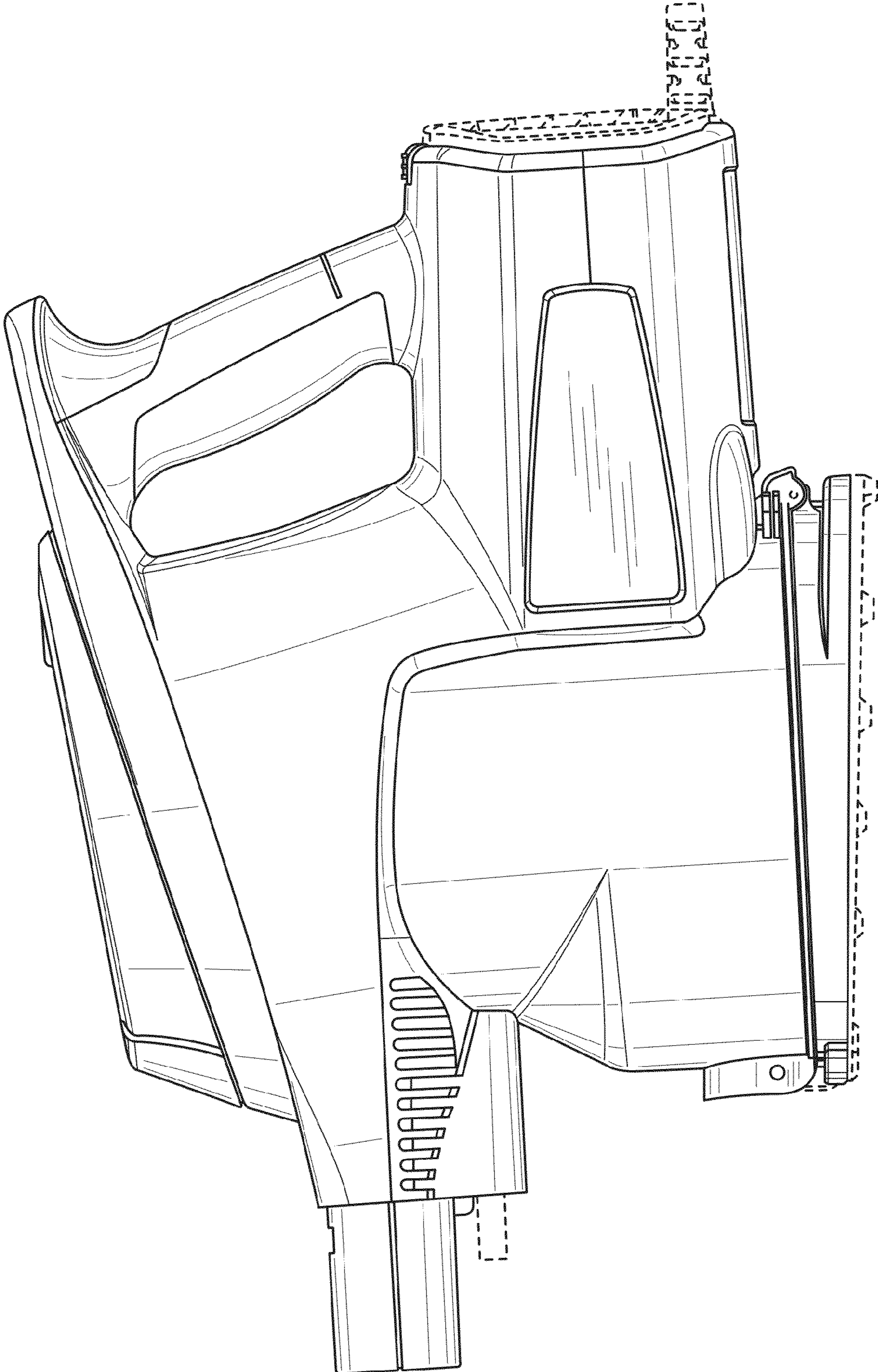


FIG. 5

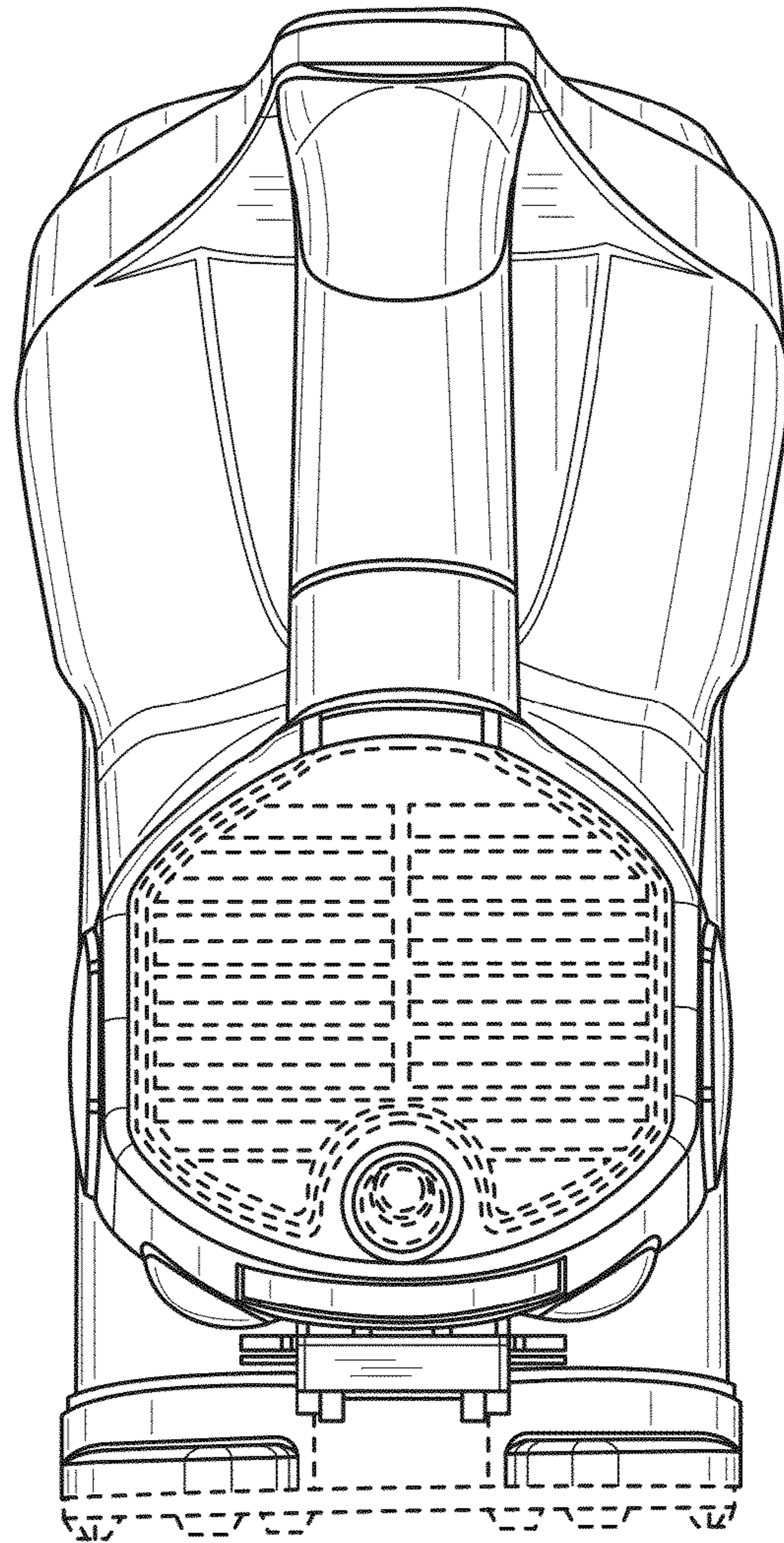


FIG. 6

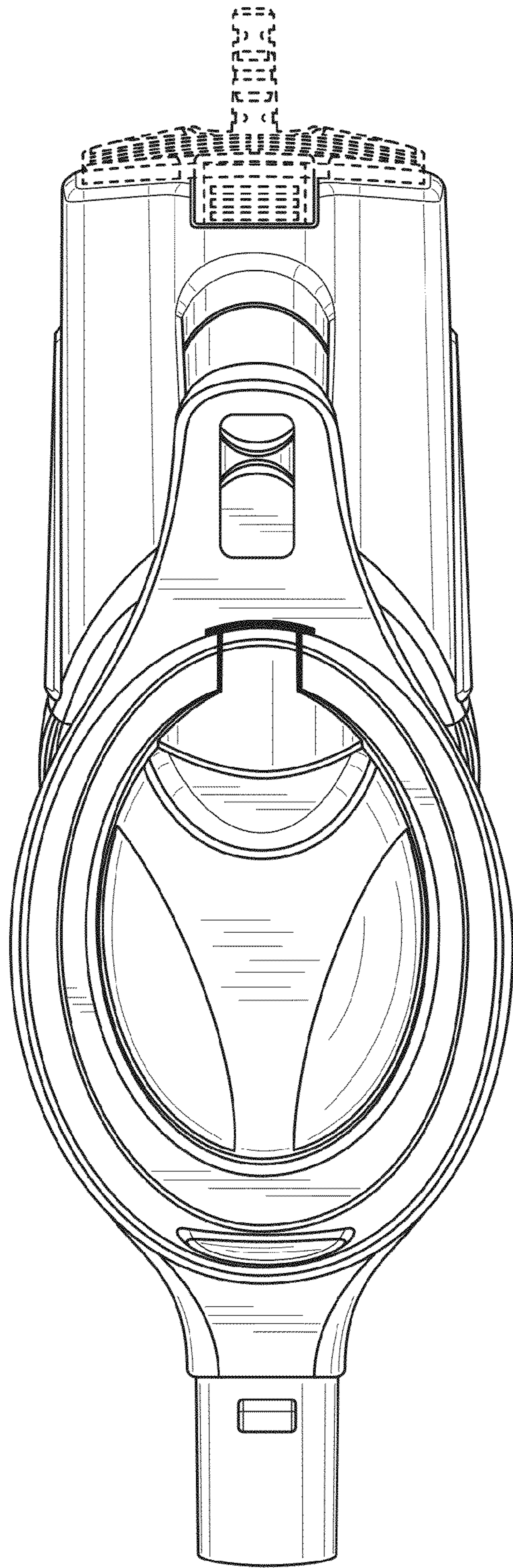


FIG. 7



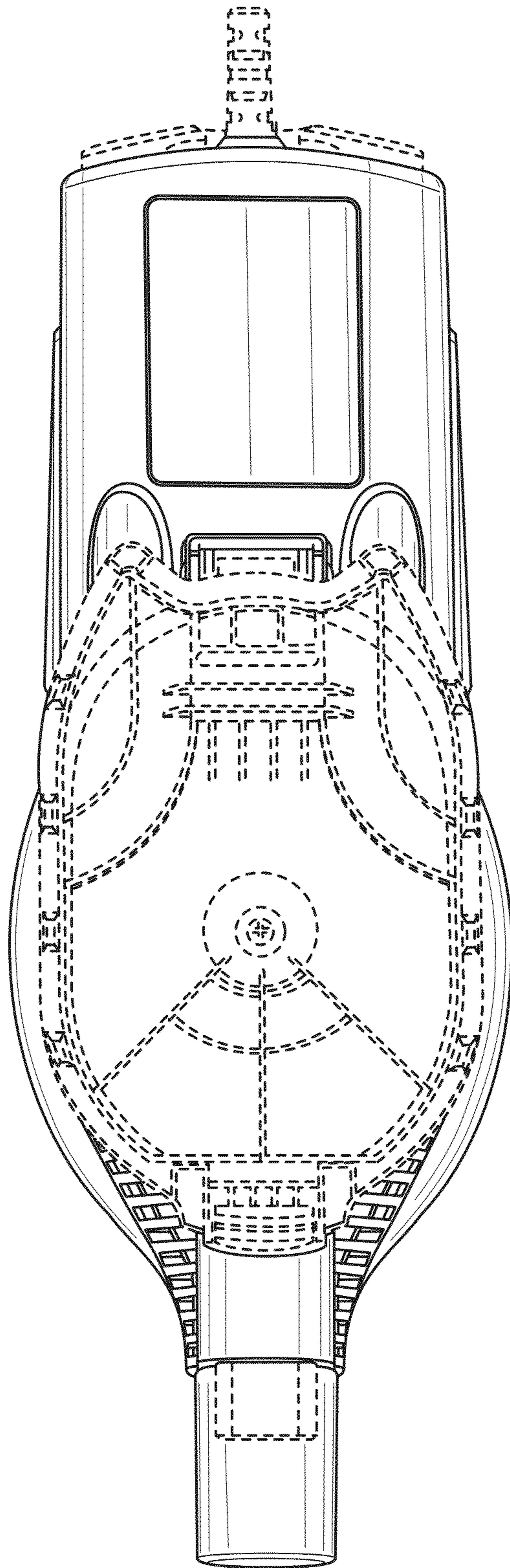


FIG. 8