



US00D731719S

(12) **United States Design Patent**
Borjesson

(10) **Patent No.:** **US D731,719 S**
(45) **Date of Patent:** **** Jun. 9, 2015**

- (54) **LAUNDRY APPLIANCE**
- (71) Applicant: **Electrolux Home Products Corporation, N.V., Brussels (BE)**
- (72) Inventor: **Per Borjesson, Porcia (IT)**
- (73) Assignee: **Electrolux Home Products Corporation N.V., Brussels (BE)**
- (**) Term: **14 Years**
- (21) Appl. No.: **29/473,710**
- (22) Filed: **Nov. 25, 2013**

Related U.S. Application Data

- (63) Continuation of application No. 29/434,337, filed on Oct. 11, 2012, now Pat. No. Des. 694,966.
- (51) **LOC (10) Cl.** **15-05**
- (52) **U.S. Cl.**
USPC **D32/6**
- (58) **Field of Classification Search**
USPC D32/6, 25, 28, 5, 8, 11, 9; 34/553, 34/523-524; D7/393, 350.1, 402, 405; 312/228.1; 68/3 R, 5 R, 12.01, 212; D8/311
See application file for complete search history.

References Cited

U.S. PATENT DOCUMENTS

D177,010	S	*	3/1956	Boldt	D32/6
D191,918	S		12/1961	Stern		
3,508,340	A	*	4/1970	Kombol	34/553
D463,631	S	*	9/2002	Baldwin et al.	D32/6
D477,898	S		7/2003	Geyer		
D496,709	S	*	9/2004	Suh et al.	D32/6
D515,260	S	*	2/2006	Ha et al.	D32/25
D517,257	S	*	3/2006	Kim et al.	D32/6
D521,801	S	*	5/2006	Huxhold et al.	D7/393
D531,765	S	*	11/2006	Schoene	D32/8

D542,987	S	*	5/2007	Crookshanks	D32/6
D544,157	S	*	6/2007	Crookshanks	D32/25
D549,900	S	*	8/2007	Kim et al.	D32/6
D553,309	S	*	10/2007	Revoldini et al.	D32/6

(Continued)

FOREIGN PATENT DOCUMENTS

CN	3038426	*	12/1995
CN	3334200	*	11/2003

(Continued)

OTHER PUBLICATIONS

Super Mom Smashing Washing Machine After Realizing Her Daughter Is Inside, Announced Nov. 9, 2011, [Site Visited Jan. 14, 2015] <http://www.mommyish.com/2011/11/09/mother-washing-machine-saves-daughter-603/>.*

(Continued)

Primary Examiner — John Windmuller
Assistant Examiner — Luqman McNeil
(74) *Attorney, Agent, or Firm* — Banner & Witcoff, Ltd.

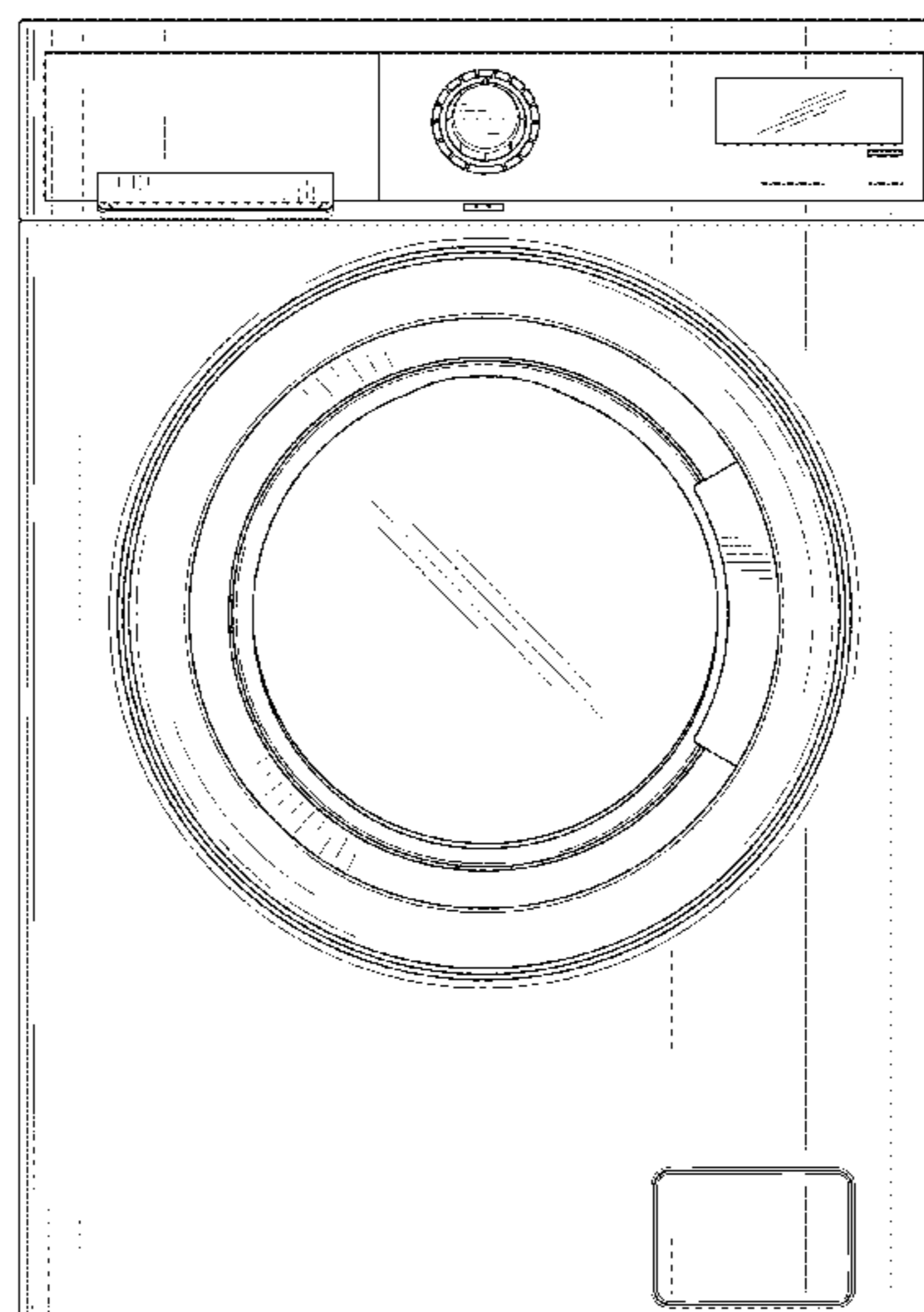
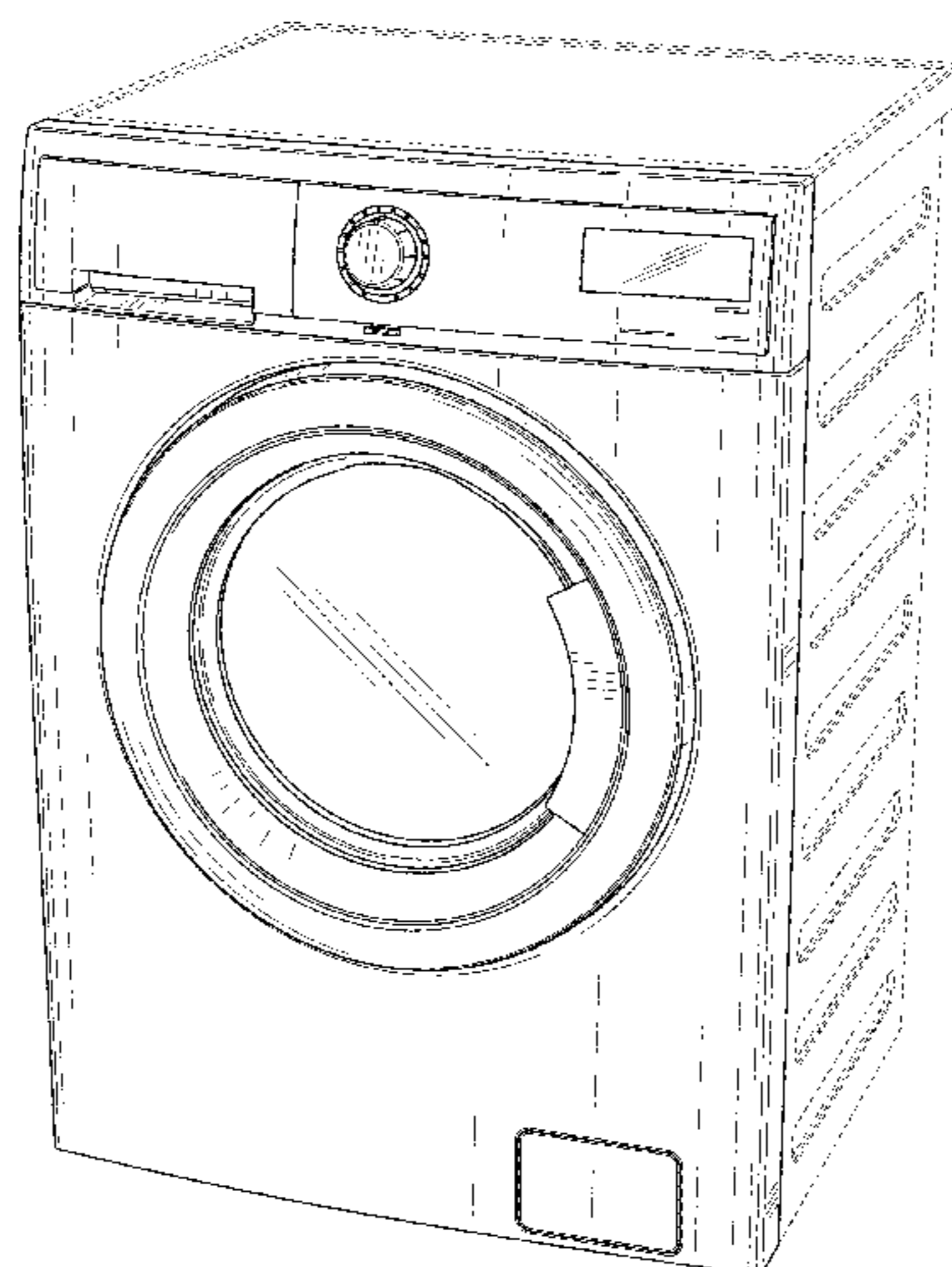
(57) **CLAIM**

The ornamental design for a laundry appliance, as shown and described.

DESCRIPTION

FIG. 1 is a front perspective view of a laundry appliance showing my new design;
FIG. 2 is a front view thereof;
FIG. 3 is a rear view thereof;
FIG. 4 is a top view thereof;
FIG. 5 is a bottom view thereof;
FIG. 6 is a right side view thereof; and,
FIG. 7 is a left side view thereof.
The broken lines showing of the remainder of the laundry appliance is for environmental purposes only and forms no part of the claimed design.

1 Claim, 7 Drawing Sheets



(56)

References Cited

U.S. PATENT DOCUMENTS

D561,957 S * 2/2008 Browne et al. D32/6
 D563,062 S 2/2008 Eicher et al.
 D564,155 S * 3/2008 Eicher et al. D32/28
 D564,719 S * 3/2008 Eicher et al. D32/28
 D565,809 S 4/2008 Eicher et al.
 D568,556 S * 5/2008 Gruetzke et al. D32/6
 D571,064 S * 6/2008 Eicher et al. D32/28
 D575,463 S 8/2008 Mao et al.
 D577,162 S * 9/2008 Shail et al. D32/6
 D580,113 S * 11/2008 Grutzke et al. D32/6
 D582,105 S * 12/2008 Cho et al. D32/6
 D586,958 S * 2/2009 Cadamuro D32/6
 D587,865 S * 3/2009 Cadamuro D32/5
 D589,661 S * 3/2009 Oh et al. D32/6
 D592,367 S * 5/2009 Crookshanks D32/25
 D610,757 S * 2/2010 Yalcin et al. D32/6
 D613,009 S 3/2010 DeSalvo et al.
 D613,010 S * 3/2010 Eicher et al. D32/28
 D614,821 S * 4/2010 Cho et al. D32/6
 D617,512 S 6/2010 DeSalvo et al.
 D617,960 S * 6/2010 Bohm et al. D32/6
 D618,865 S * 6/2010 Cline et al. D32/6
 D618,866 S 6/2010 Lee
 D618,872 S * 6/2010 Bixby et al. D32/25
 D619,313 S * 7/2010 Cline et al. D32/25
 D622,918 S * 8/2010 Choi et al. D32/25
 D625,890 S 10/2010 Lee et al.
 D628,438 S * 12/2010 Knochner D7/405

D628,755 S * 12/2010 Helot et al. D32/5
 D631,621 S * 1/2011 Lee et al. D32/6
 D631,623 S * 1/2011 Chung et al. D32/6
 D640,020 S 6/2011 Helot et al.
 D644,912 S * 9/2011 Benold D8/311
 D653,822 S 2/2012 Geyer et al.
 D654,299 S * 2/2012 Benold D7/350.1
 D654,312 S * 2/2012 Benold D7/402
 8,162,419 B2 * 4/2012 Dellby et al. 312/228.1
 D659,307 S 5/2012 Geyer et al.

FOREIGN PATENT DOCUMENTS

CN 300997794 * 9/2009
 KR 300589045.0000 * 2/2011
 KR 300640174.0001 * 6/2012

OTHER PUBLICATIONS

AEG Protex—Welded Tub?, Announced Sep. 3, 2011, [Site Visited Jan. 14, 2015]<http://www.automaticwasher.org/cgi-bin/TD/TD-VIEWTHREAD.cgi?36229>.
 Appliance Doctor NJ, Washer and Dryer Repair NJ, Announced Jul. 1, 2010, [Site Visited Jan. 14, 2015] <http://appliancerepairprincetonnj.info/washer-and-dryer-repair/>.
 Samsung Washing Machine Price List, Announced Oct. 11, 2011, [Site Visited Jan. 14, 2015]<http://priceinfoworld.com/electronics/samsung-washing-machine-price-in-india>.

* cited by examiner

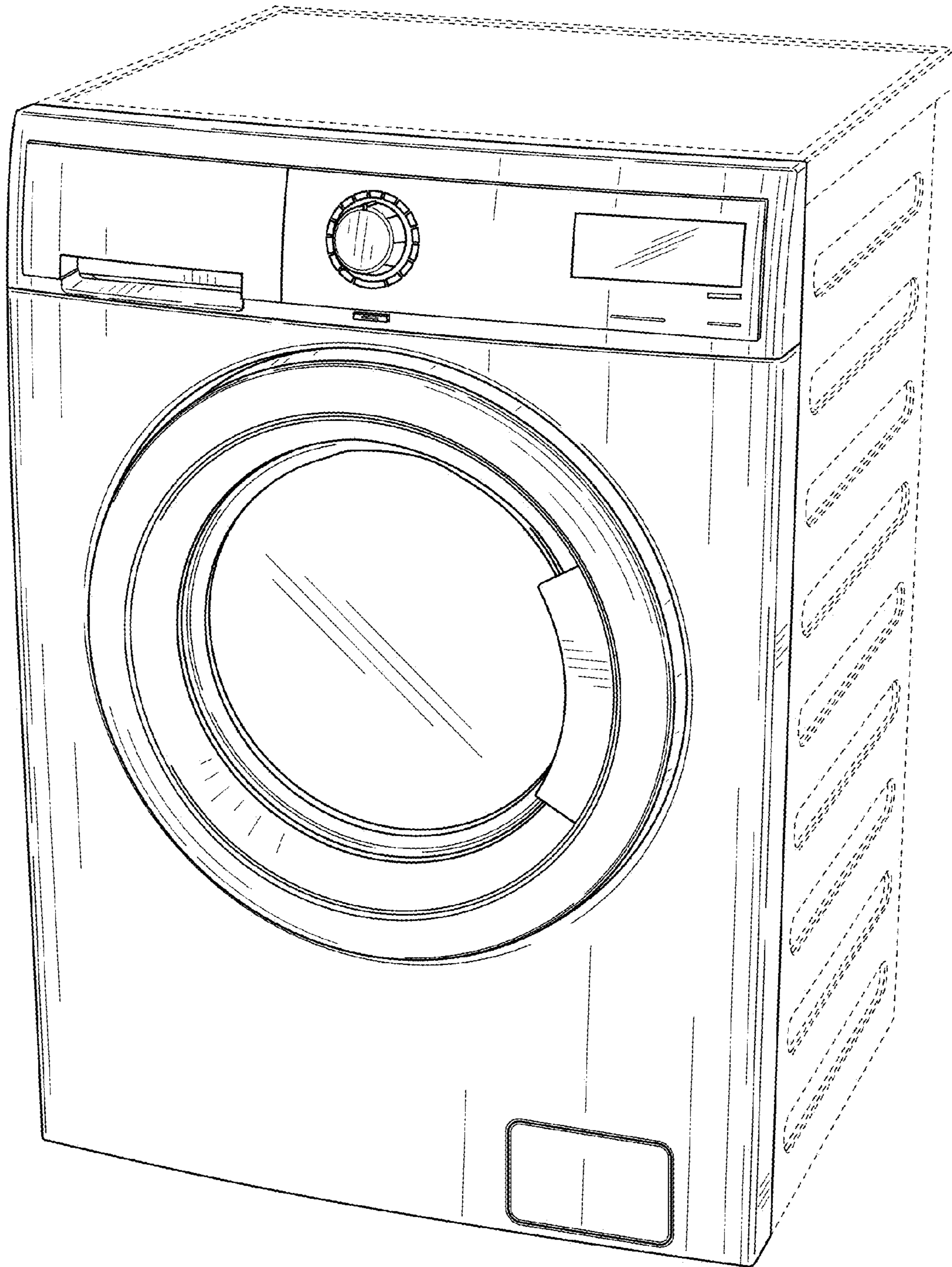


FIG. 1

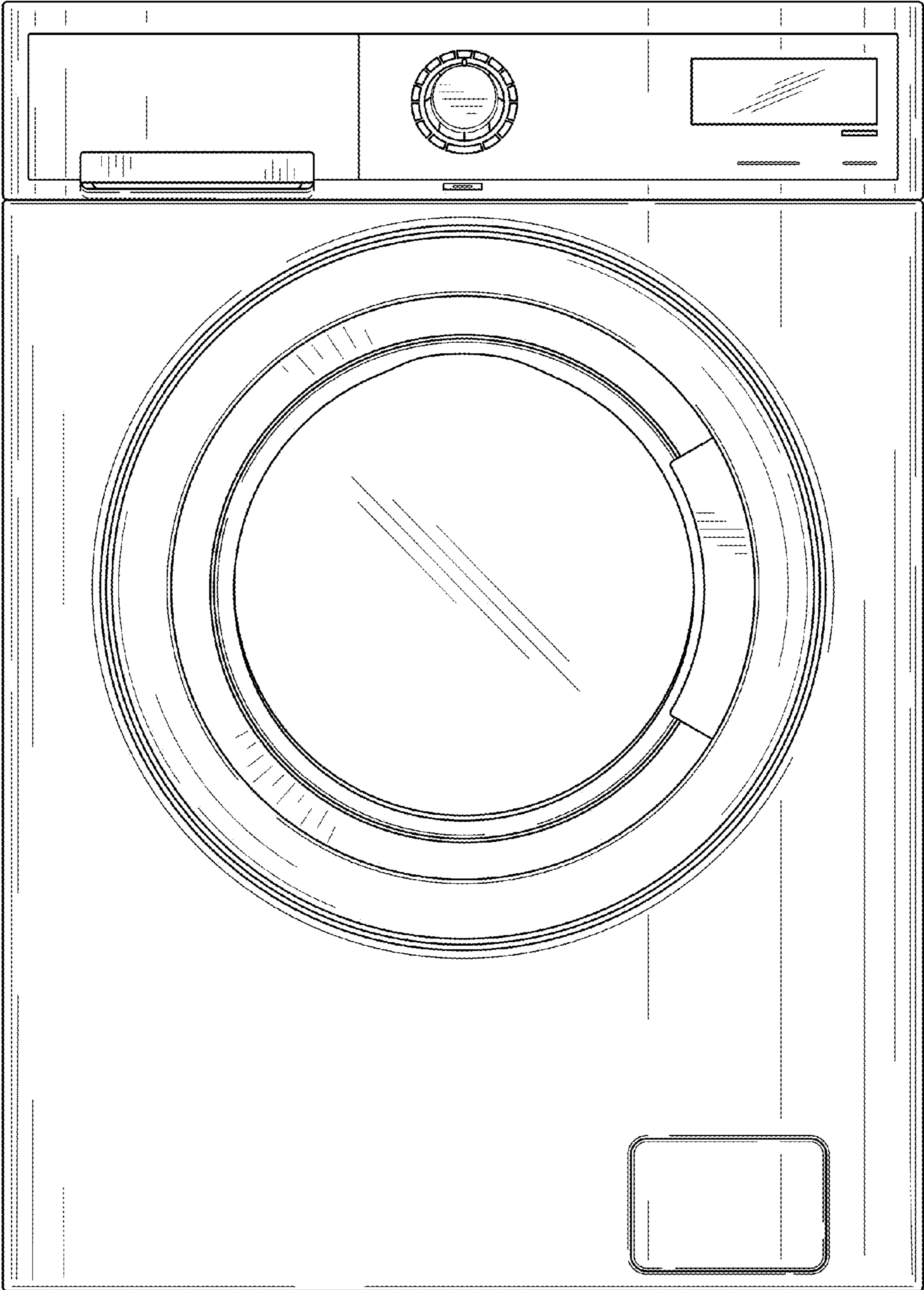


FIG. 2

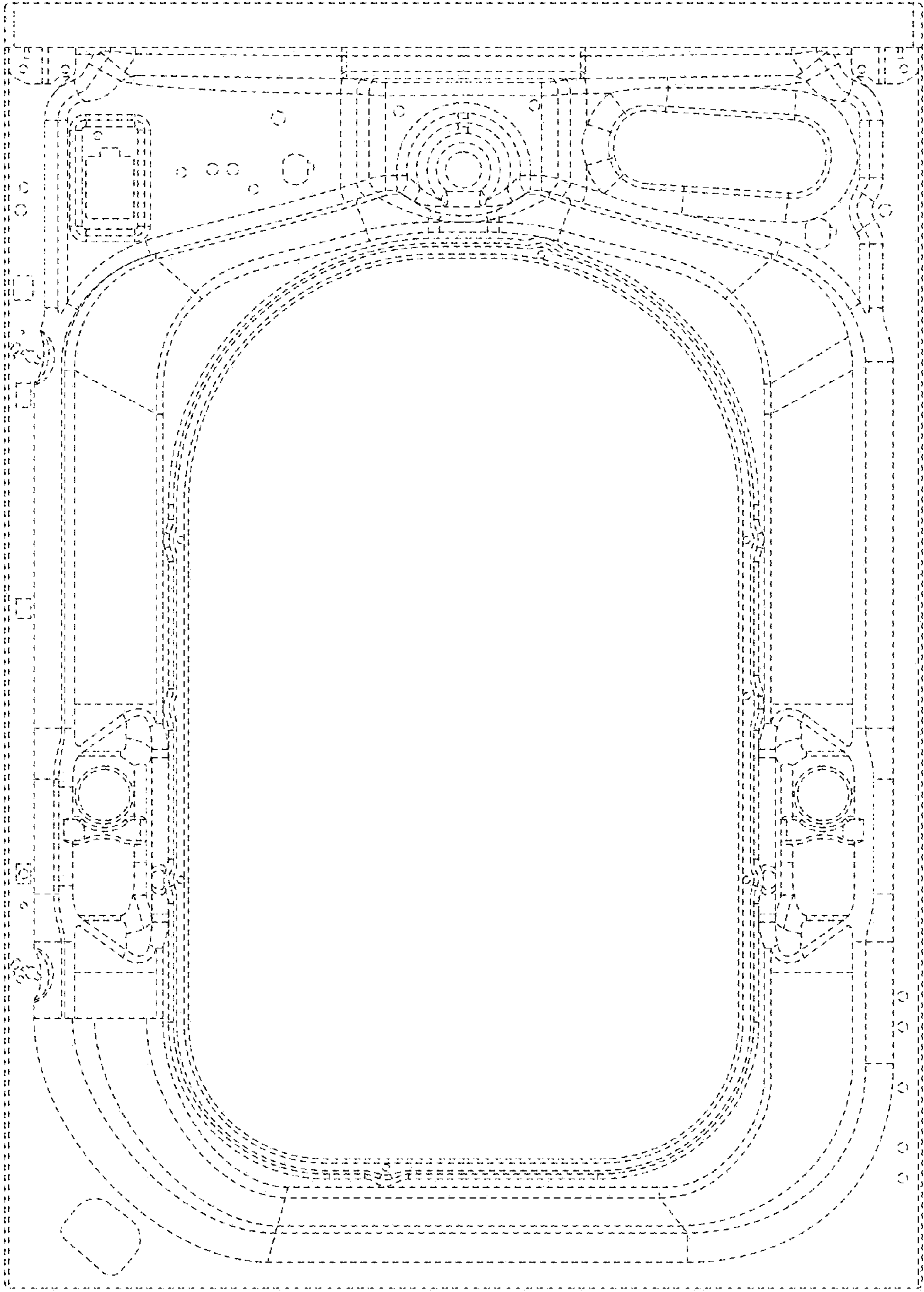


FIG. 3

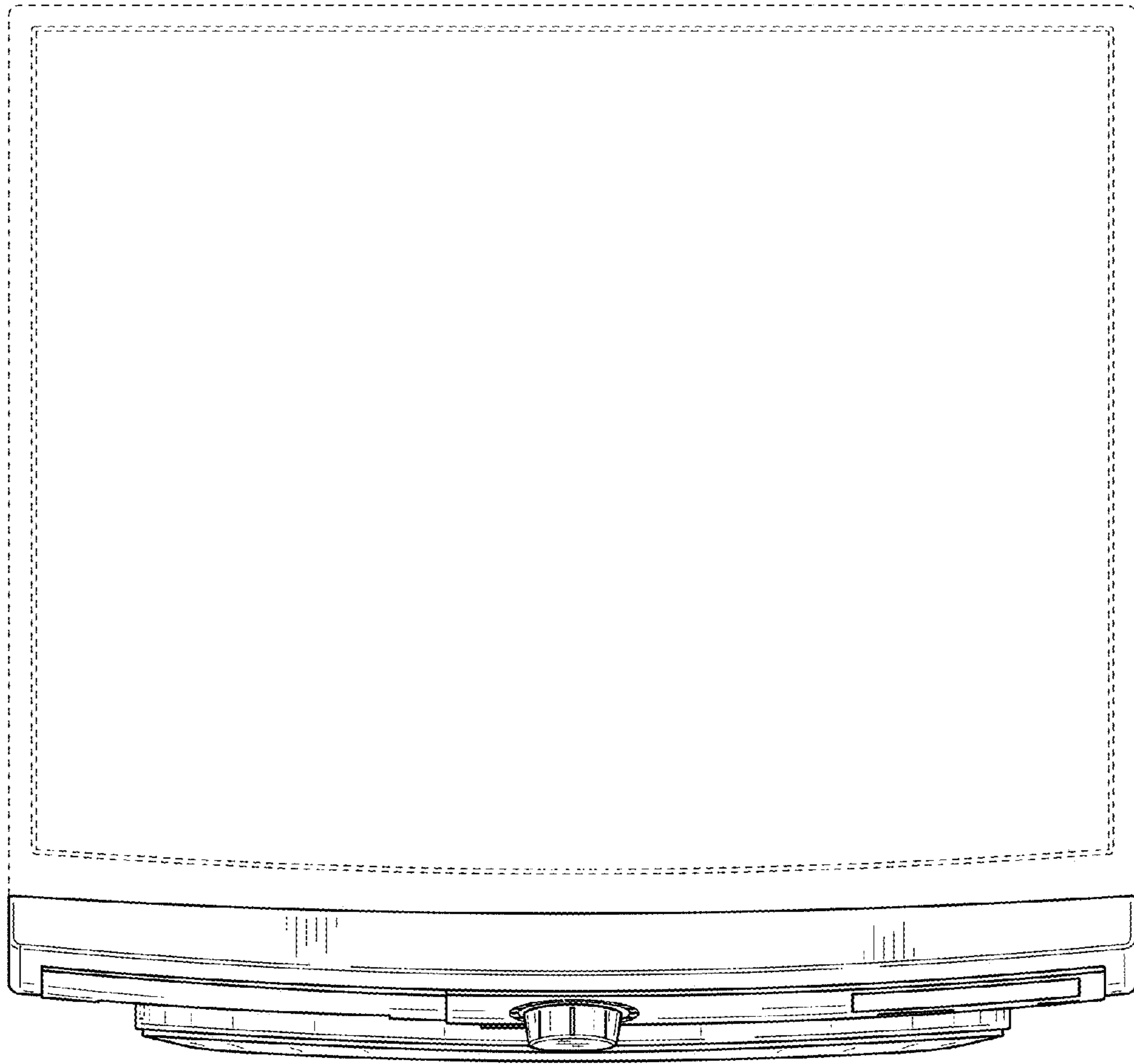


FIG. 4

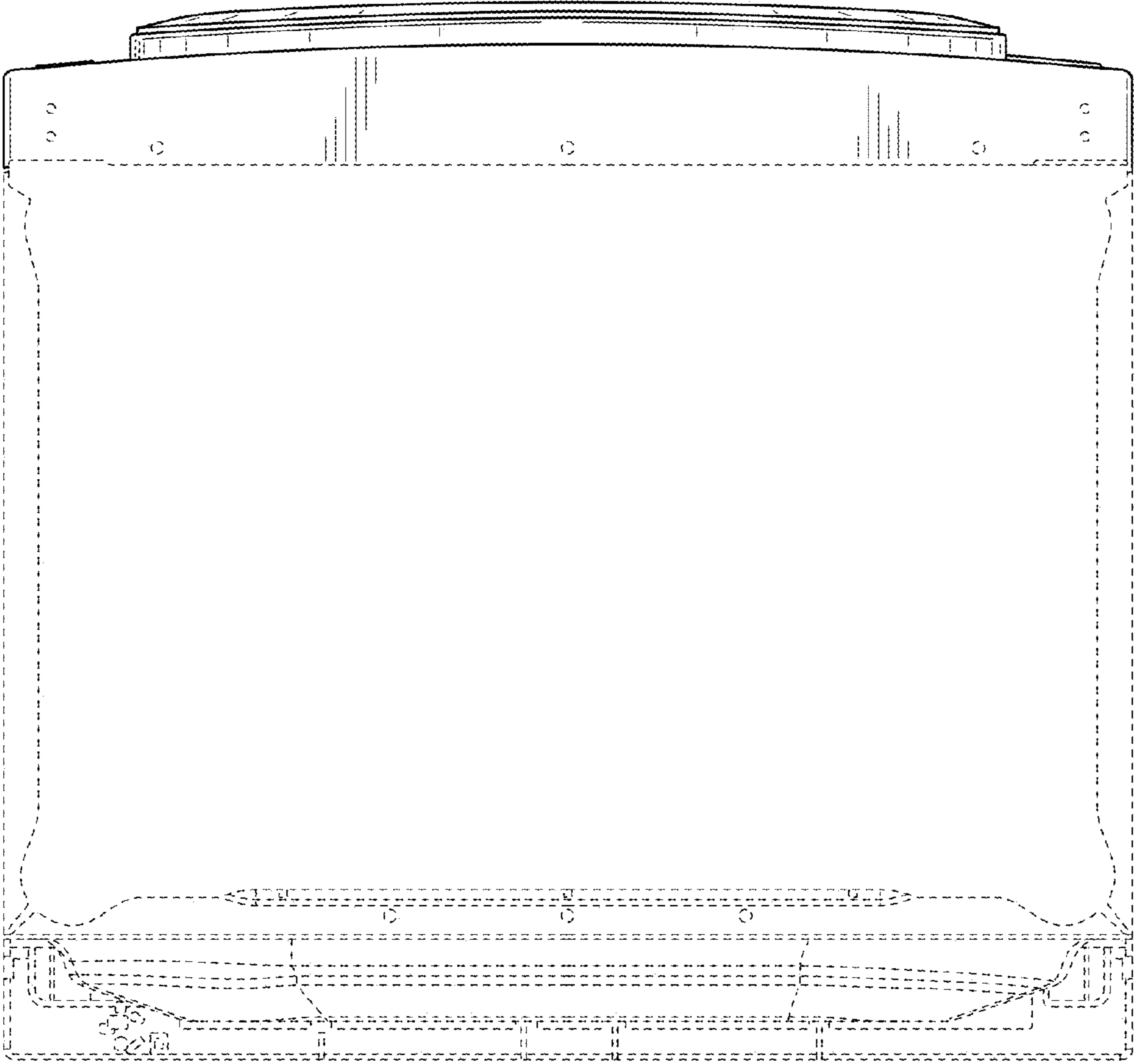


FIG. 5

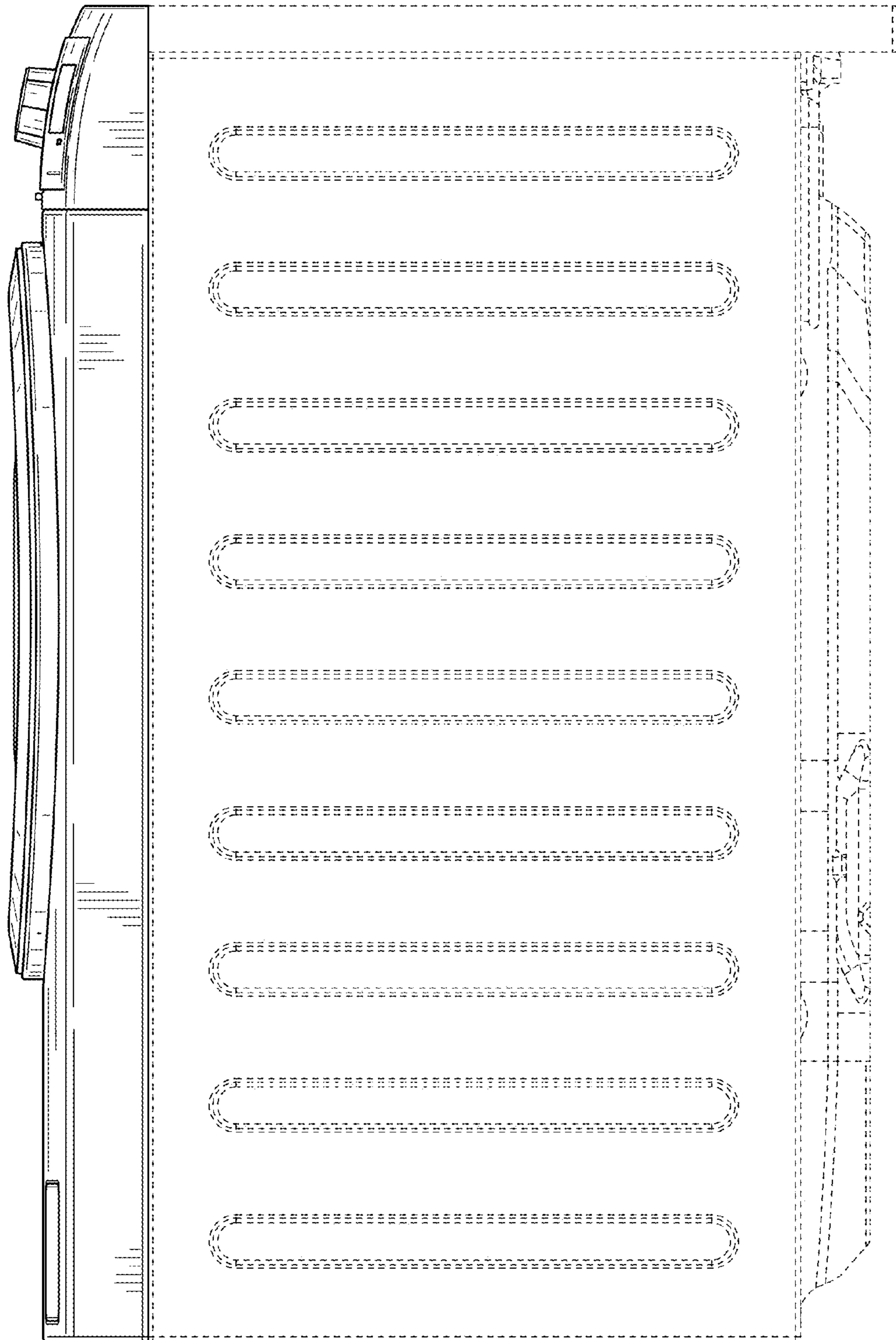


FIG. 6

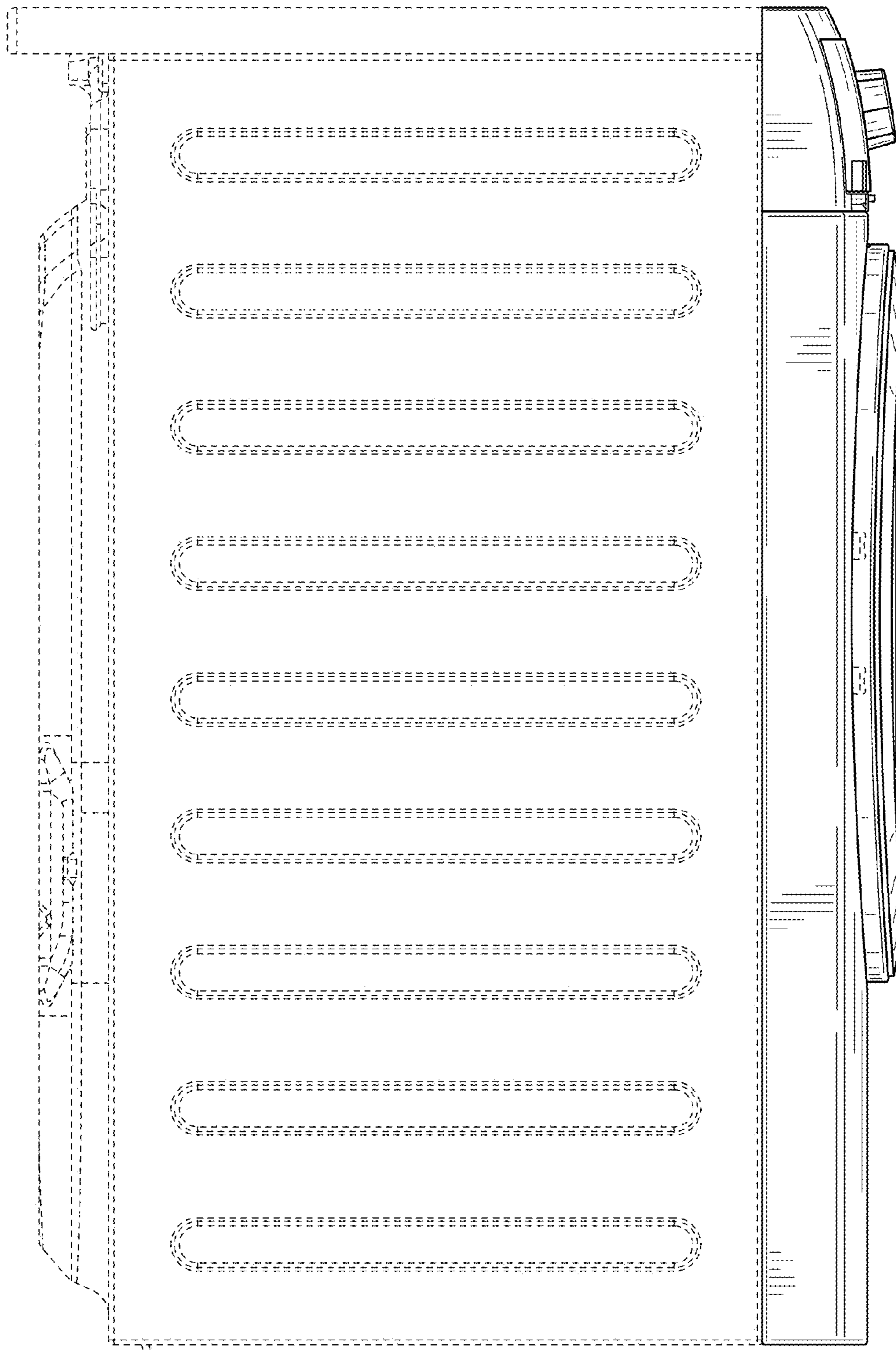


FIG. 7

UNITED STATES PATENT AND TRADEMARK OFFICE
CERTIFICATE OF CORRECTION

PATENT NO. : D731,719 S
APPLICATION NO. : 29/473710
DATED : June 9, 2015
INVENTOR(S) : Per Borjesson

Page 1 of 1

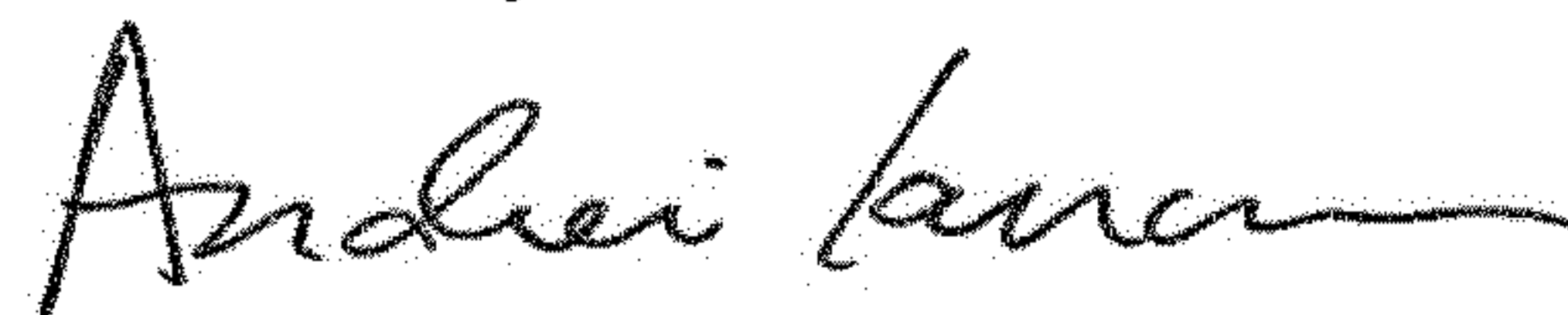
It is certified that error appears in the above-identified patent and that said Letters Patent is hereby corrected as shown below:

On the Title Page

The Item (30) "Foreign Application Priority Data" should exist and list:

-- Apr. 11, 2012 (EM)002023788 --.

Signed and Sealed this
First Day of December, 2020



Andrei Iancu
Director of the United States Patent and Trademark Office