



US00D731717S

(12) **United States Design Patent**  
**Foy**

(10) **Patent No.:** **US D731,717 S**  
(45) **Date of Patent:** **\*\* Jun. 9, 2015**

- (54) **MACHINE FOR CLEANING METAL PARTS**
- (71) Applicant: **SURFACE TECHNOLOGIES IP AG,**  
Rotkreuz (CH)
- (72) Inventor: **Jerome Foy, Quebec (CA)**
- (73) Assignee: **SURFACE TECHNOLOGIES IP AG,**  
Rotkreuz (CH)
- (\*\*) Term: **14 Years**
- (21) Appl. No.: **29/473,978**
- (22) Filed: **Nov. 27, 2013**
- (51) **LOC (10) Cl.** ..... **15-05**
- (52) **U.S. Cl.**  
USPC ..... **D32/1**
- (58) **Field of Classification Search**  
USPC ..... D32/1, 5, 15-16, 25, 30; D34/1, 7-9;  
134/111  
CPC ..... B65F 1/02; B08B 3/02  
See application file for complete search history.

- D414,904 S \* 10/1999 Knowlton ..... D32/1
- D562,506 S \* 2/2008 Richert et al. .... D32/4
- D566,365 S \* 4/2008 Wentz et al. .... D34/1
- D575,911 S \* 8/2008 Greenidge et al. .... D32/1
- D619,311 S \* 7/2010 Publ et al. .... D32/1
- D669,650 S \* 10/2012 Ellis ..... D34/1
- D682,490 S \* 5/2013 Goetzke et al. .... D32/1

\* cited by examiner

*Primary Examiner* — Sandra Morris

(74) *Attorney, Agent, or Firm* — Lewis Roca Rothgerber  
LLP

(57) **CLAIM**

I claim the ornamental design for a machine for cleaning  
metal parts, as shown and described.

**DESCRIPTION**

FIG. 1 is a perspective view of a machine for cleaning metal  
parts according to the present design;  
FIG. 2 is a rear elevational view of the machine for cleaning  
metal parts of FIG. 1;  
FIG. 3 is a front elevational view of the machine for cleaning  
metal parts of FIG. 1;  
FIG. 4 is a left elevational view of the machine for cleaning  
metal parts of FIG. 1;  
FIG. 5 is a right elevational view of the machine for cleaning  
metal parts of FIG. 1; and,  
FIG. 6 is a top view of the machine for cleaning metal parts of  
FIG. 1.

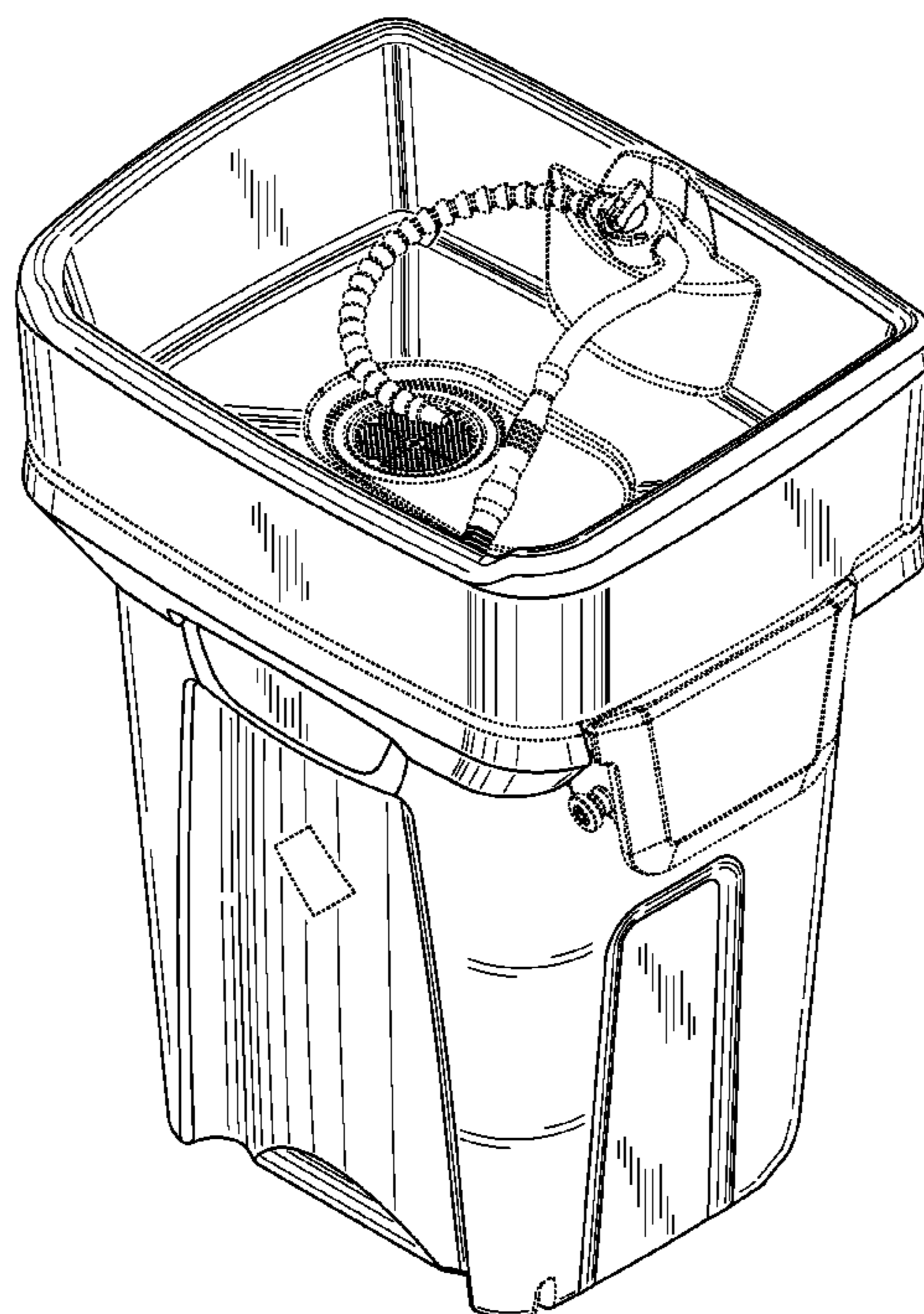
The broken lines shown are included for the purpose of illus-  
trating the unclaimed portions of the article and form no part  
of the claimed design.

**1 Claim, 6 Drawing Sheets**

(56) **References Cited**

**U.S. PATENT DOCUMENTS**

- 3,522,814 A \* 8/1970 Olson ..... 134/111
- 4,817,649 A \* 4/1989 Schmalz et al. .... 134/113
- D306,223 S \* 2/1990 Muirhead et al. .... D32/1
- 5,107,876 A \* 4/1992 Ozyjiwsky ..... 134/111
- D339,666 S \* 9/1993 Knowlton ..... D32/1
- D370,096 S \* 5/1996 Niemela et al. .... D32/1
- D384,446 S \* 9/1997 Linton et al. .... D32/1
- 5,950,647 A \* 9/1999 Usher ..... 134/111



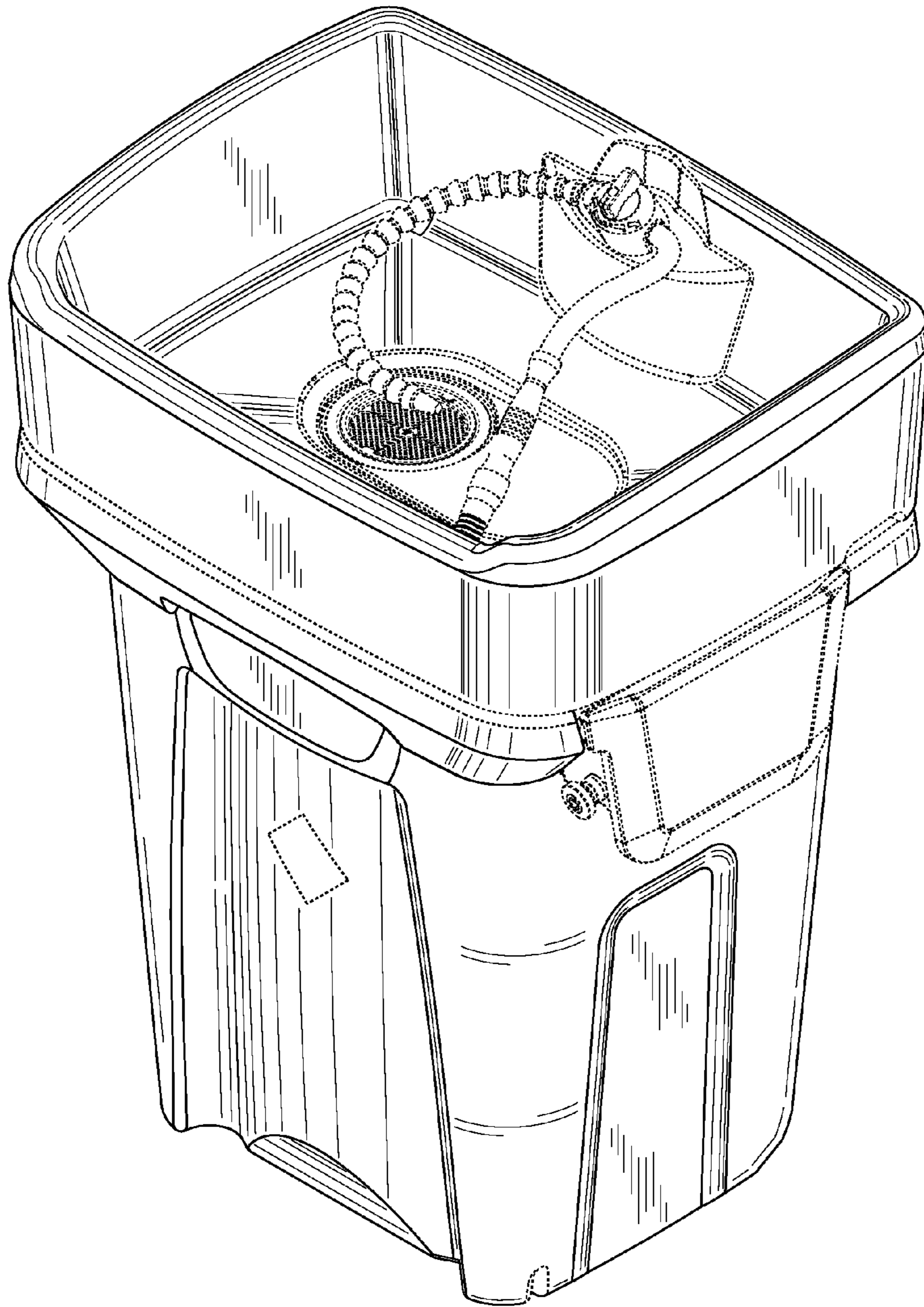


FIG. 1

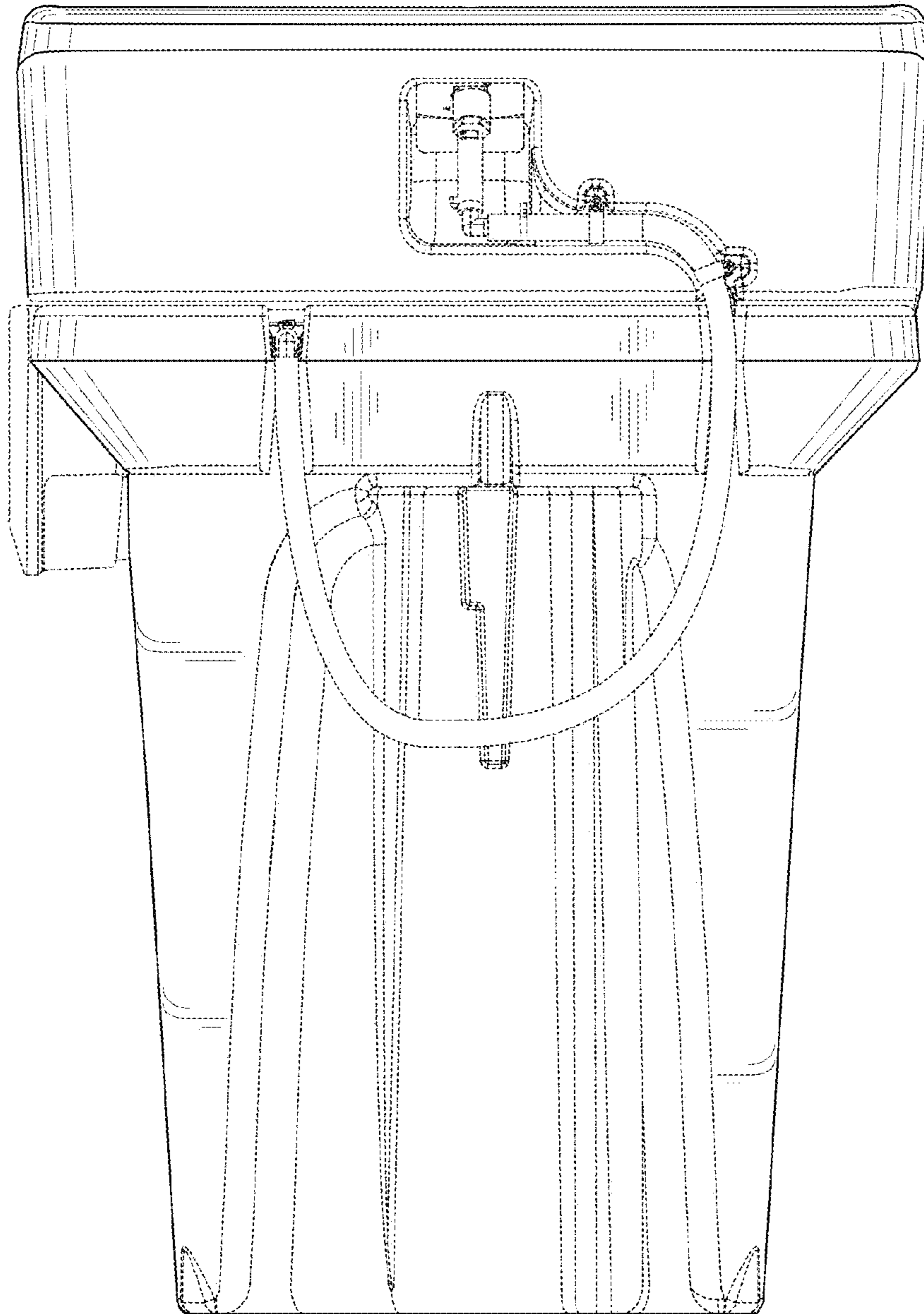


FIG. 2

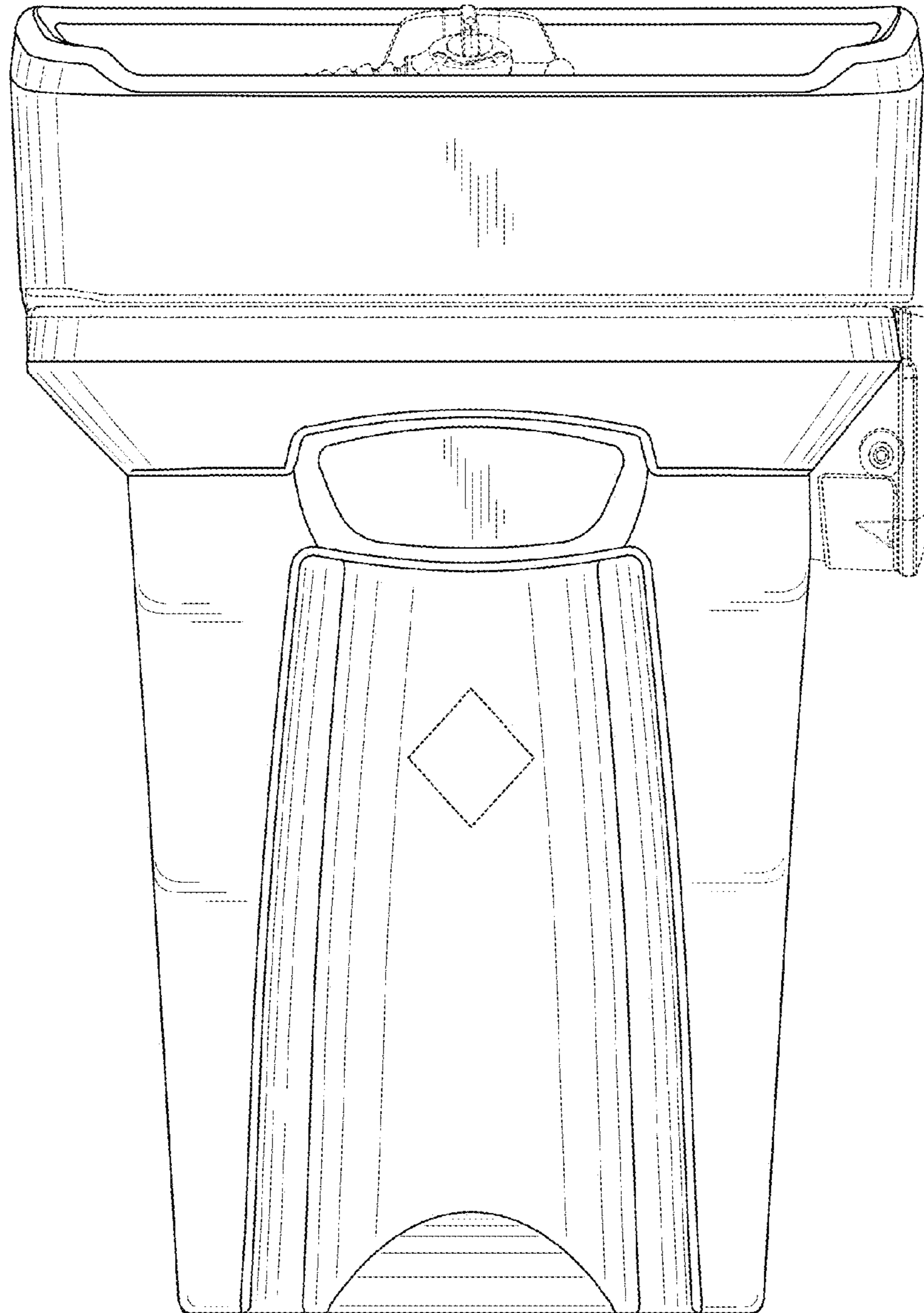


FIG. 3

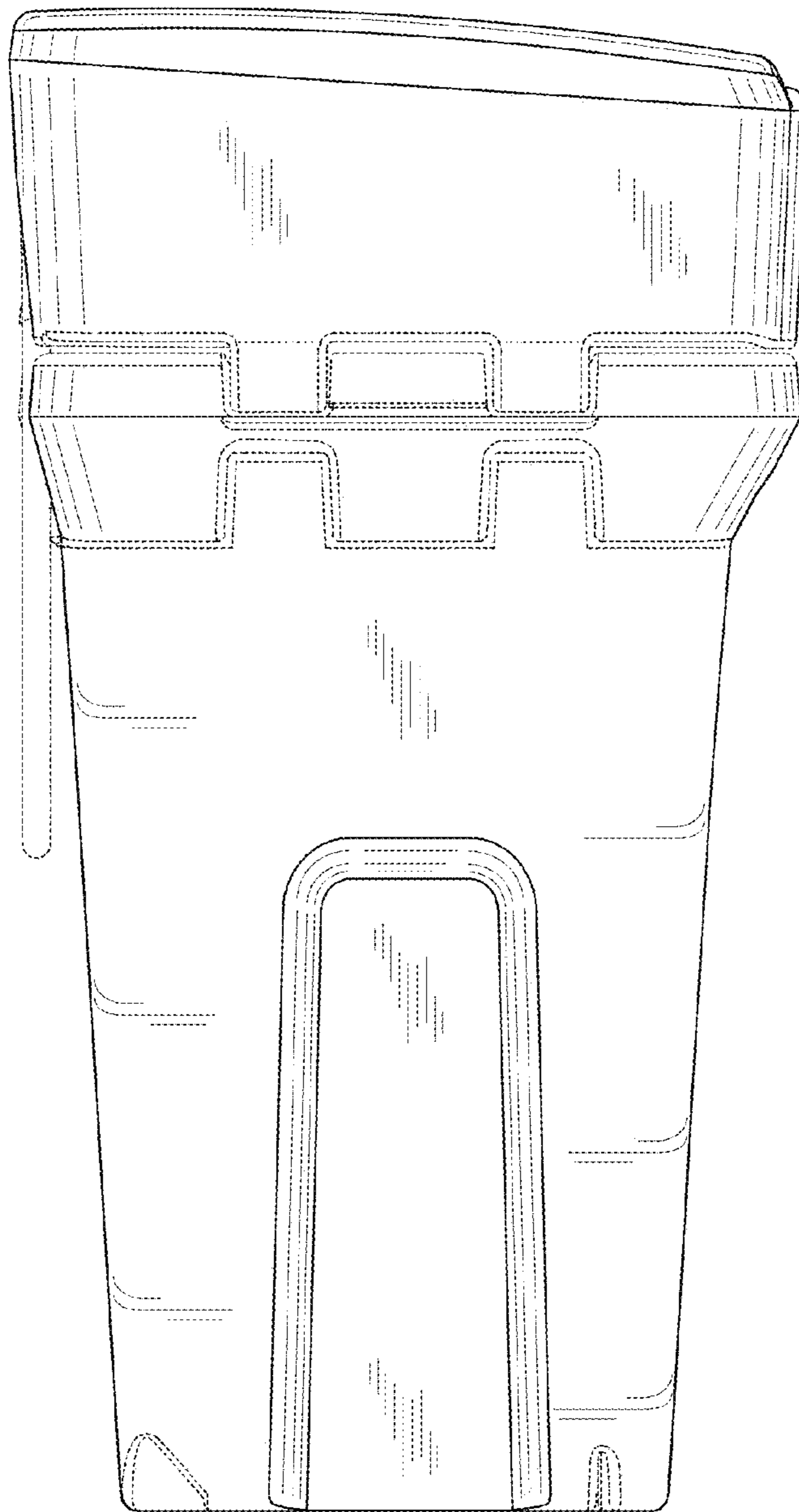


FIG. 4

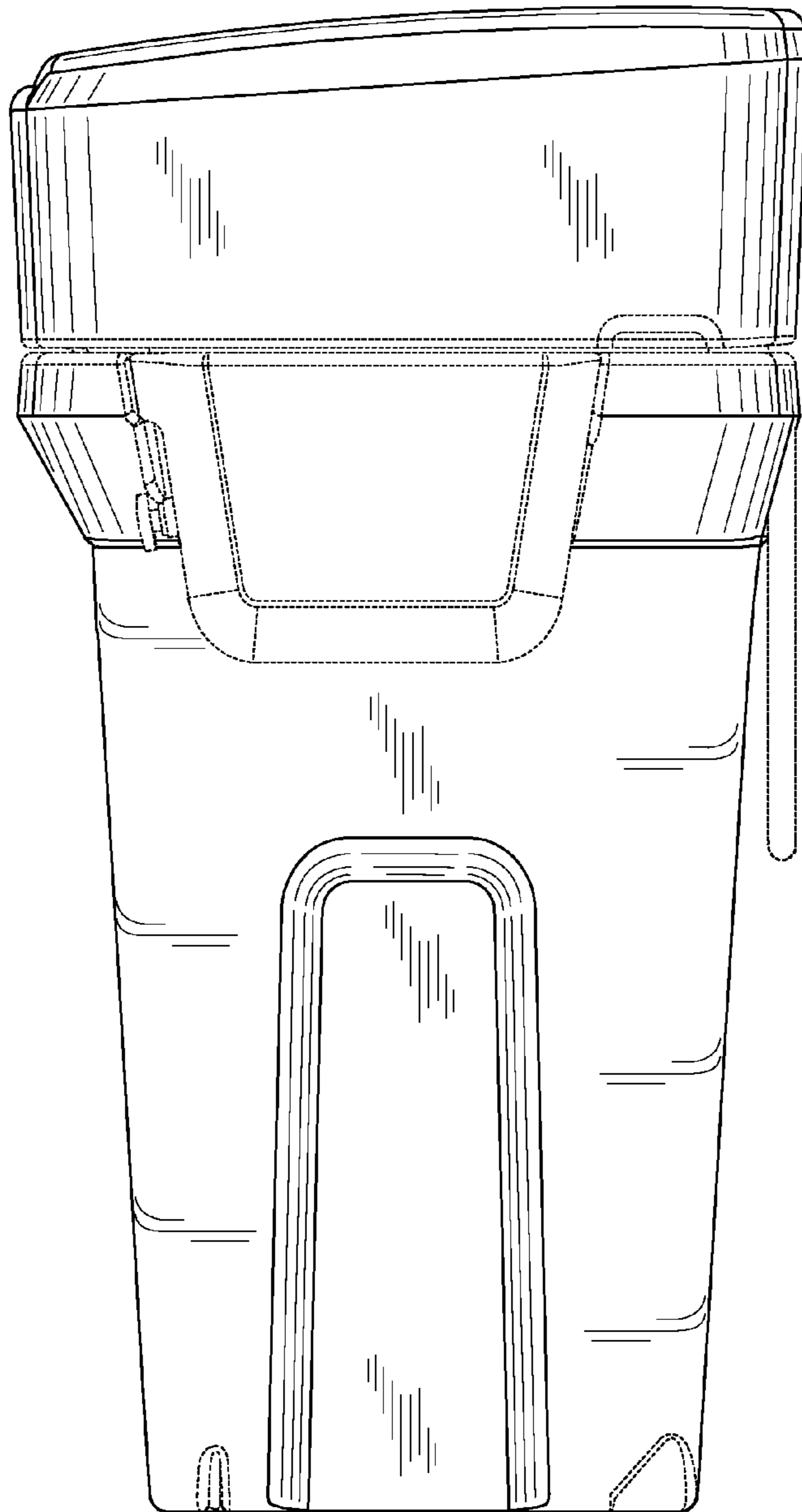


FIG. 5

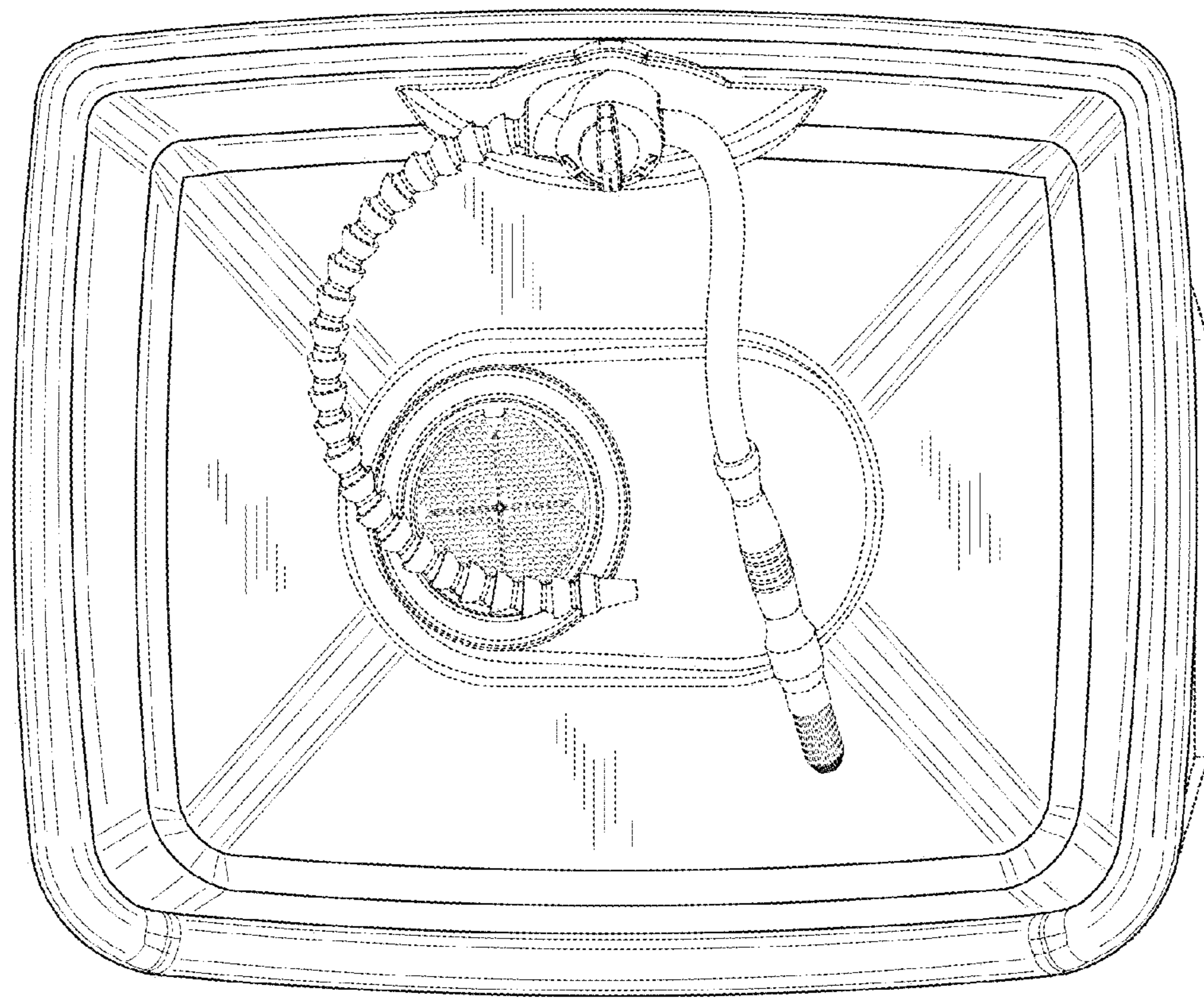


FIG. 6