



US00D731716S

(12) **United States Design Patent**  
**Kuiper et al.**

(10) **Patent No.:** **US D731,716 S**  
(45) **Date of Patent:** **\*\* Jun. 9, 2015**

- (54) **ANIMAL WASTE DISPOSAL SYSTEM**
- (71) Applicant: **Grotown VI, LLC**, Grand Rapids, MI (US)
- (72) Inventors: **William J. Kuiper**, Hudsonville, MI (US); **Stephen J. Timyan**, Grand Rapids, MI (US)
- (73) Assignee: **Grotown VI, LLC**, Grand Rapids, MI (US)
- (\*\*) Term: **14 Years**
- (21) Appl. No.: **29/491,358**
- (22) Filed: **May 20, 2014**
- (51) **LOC (10) Cl.** ..... **30-99**
- (52) **U.S. Cl.**  
USPC ..... **D30/161**
- (58) **Field of Classification Search**  
USPC ..... D30/161; D7/545, 554.3; 119/161, 119/163-165, 167-170  
See application file for complete search history.

(56) **References Cited**

U.S. PATENT DOCUMENTS

3,613,943	A *	10/1971	Bridenstine	206/507
3,684,155	A	8/1972	Smith	
3,757,990	A *	9/1973	Buth	220/570
3,771,493	A	11/1973	Chandor	
3,809,013	A	5/1974	Rigney et al.	
3,831,557	A	8/1974	Elesh	
4,217,857	A	8/1980	Geddie	
4,305,544	A	12/1981	Noonan	
4,308,825	A	1/1982	Stepanian	
4,312,295	A	1/1982	Harrington	
4,548,160	A	10/1985	Feitelson	
4,615,300	A	10/1986	McDonough	
4,648,349	A	3/1987	Larson	
4,723,510	A	2/1988	Skillestad	
4,739,725	A	4/1988	Fennelly	
4,784,082	A	11/1988	Wolfe	
4,813,374	A	3/1989	Sides	

- 4,846,105 A 7/1989 Caldwell
- 4,869,204 A 9/1989 Yananton
- 4,870,924 A 10/1989 Wolfe
- 4,967,692 A 11/1990 Mills
- 5,038,721 A 8/1991 Ouellette et al.
- 5,062,392 A 11/1991 Lavash
- 5,078,099 A 1/1992 Balson
- 5,115,766 A 5/1992 Williams
- 5,121,712 A 6/1992 Schulein, Jr. et al.
- 5,158,042 A 10/1992 Hammerslag et al.

(Continued)

*Primary Examiner* — Cathy A MacCormac

(74) *Attorney, Agent, or Firm* — Warner Norcross & Judd LLP

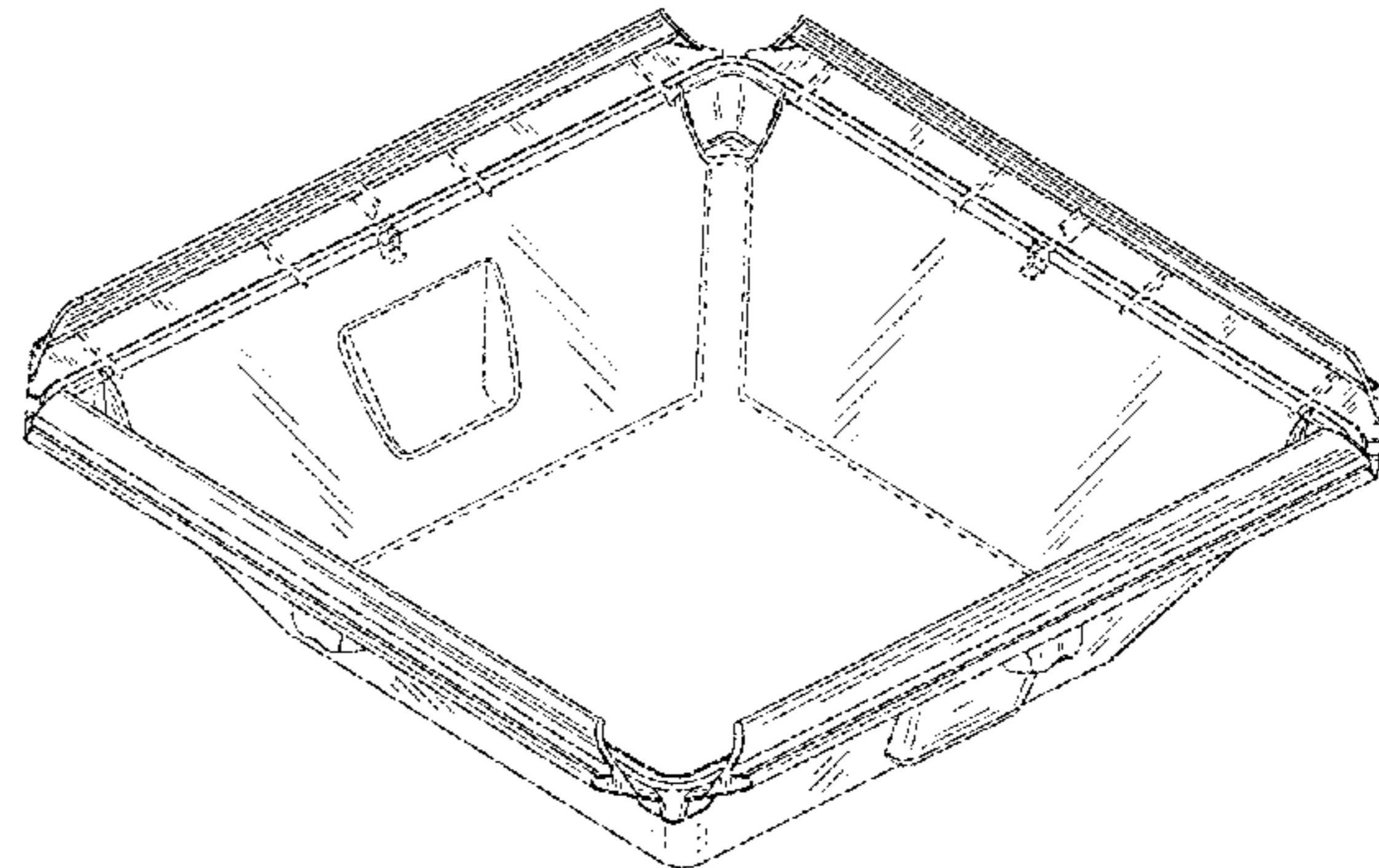
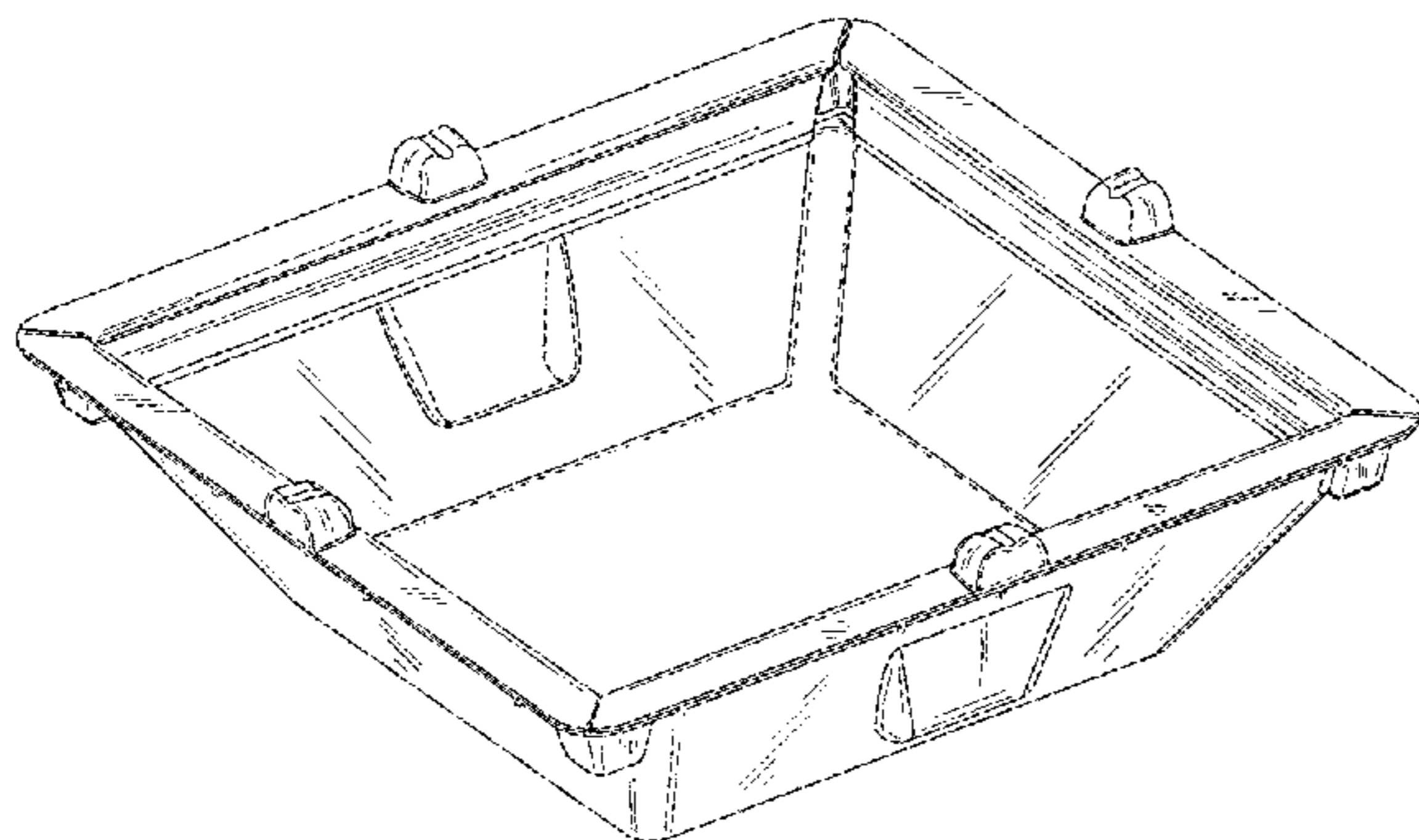
(57) **CLAIM**

The ornamental design for an animal waste disposal system, as shown and described.

**DESCRIPTION**

FIG. 1 is a perspective view of an animal waste disposal system with peripheral flanges closed;  
 FIG. 2 is a left side view thereof, the right side view being identical thereof;  
 FIG. 3 is a front view thereof, the rear view being identical thereof;  
 FIG. 4 is a top view thereof;  
 FIG. 5 is a bottom view thereof;  
 FIG. 6 is a perspective view of an animal waste disposal system with peripheral flanges open;  
 FIG. 7 is a left side view thereof, the right side view being identical thereof;  
 FIG. 8 is a front view thereof, the rear view being identical thereof;  
 FIG. 9 is a top view thereof; and,  
 FIG. 10 is a bottom view thereof.  
 FIGS. 1-10 show features of an animal waste disposal system in broken lines. The features shown in broken lines depict environmental subject matter and do not form any part of the claimed design.

**1 Claim, 8 Drawing Sheets**



(56)

References Cited

U.S. PATENT DOCUMENTS

5,207,772 A	5/1993	Lauretta et al.	5,832,869 A	11/1998	Franczak et al.
5,325,815 A	7/1994	Gumpesberger	D408,949 S *	4/1999	Queen ..... D30/161
5,410,987 A	5/1995	Simmons	5,890,452 A	4/1999	Lundeen et al.
5,488,929 A	2/1996	Pierson et al.	5,983,832 A	11/1999	Seo
5,499,610 A	3/1996	Bruner et al.	D426,684 S	6/2000	Kenney
5,507,248 A	4/1996	Gabbert	6,267,078 B1	7/2001	Pina
5,551,376 A	9/1996	Lundeen et al.	6,595,159 B1	7/2003	Montalbano
5,555,844 A	9/1996	Kolomeyer	6,668,755 B1	12/2003	Koster
5,598,811 A	2/1997	Merchant	D488,890 S	4/2004	Radde
D378,451 S	3/1997	Schmidt	6,837,179 B2	1/2005	Sannikka
5,636,594 A	6/1997	Pina	D526,748 S	8/2006	Van Skiver
5,752,466 A	5/1998	Lundeen et al.	7,255,261 B2	8/2007	Mesly
5,755,181 A *	5/1998	Petkovski ..... 119/163	8,074,603 B2	12/2011	Ohlman et al.
5,785,001 A	7/1998	Robinson	2007/0215058 A1	9/2007	Spreitzer
5,799,610 A	9/1998	Poulos	2007/0215059 A1	9/2007	Sefranek
			2008/0041316 A1	2/2008	Hartzell
			2009/0194033 A1	8/2009	Modlin
			2010/0012043 A1	1/2010	Wenzel

\* cited by examiner

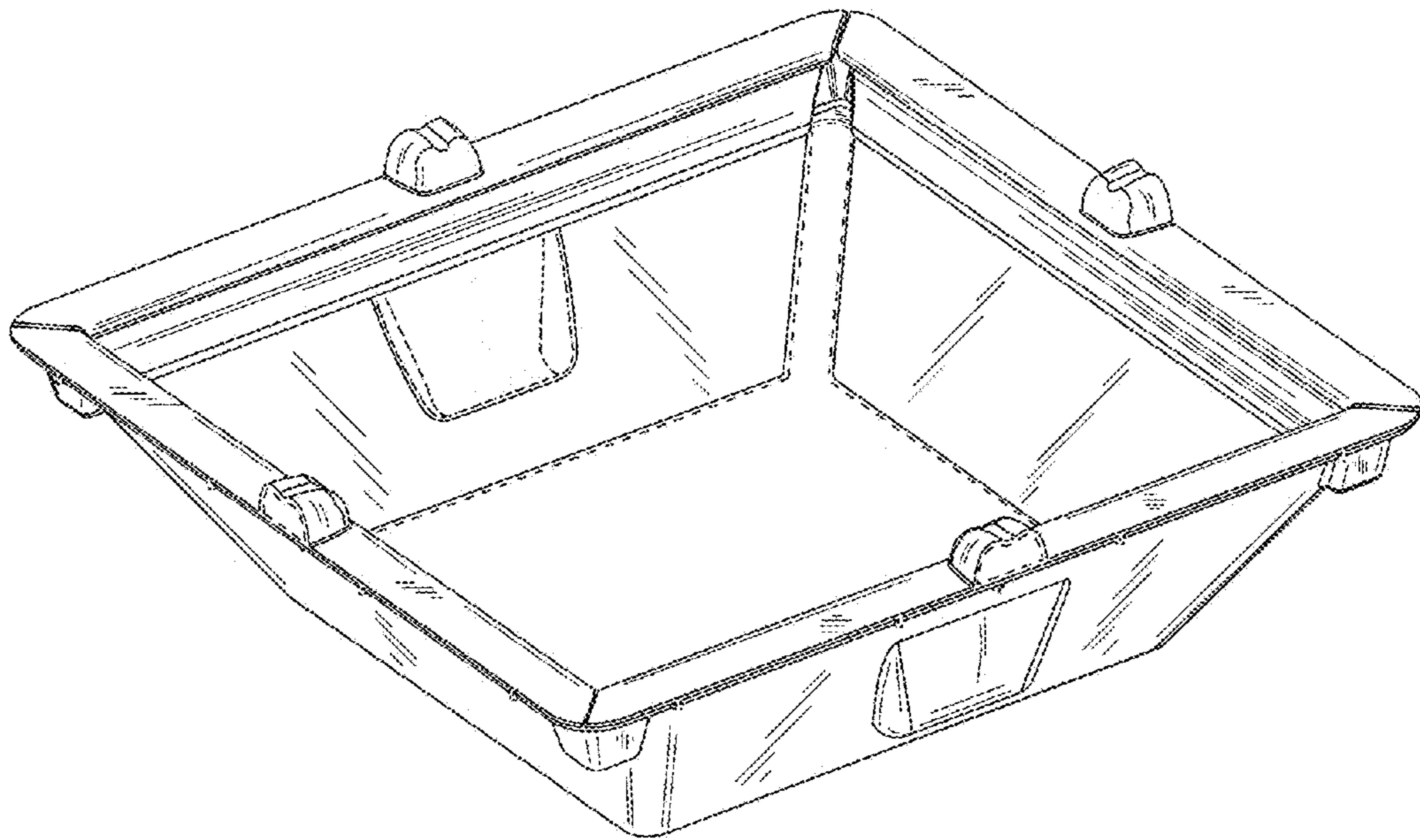


Fig. 1

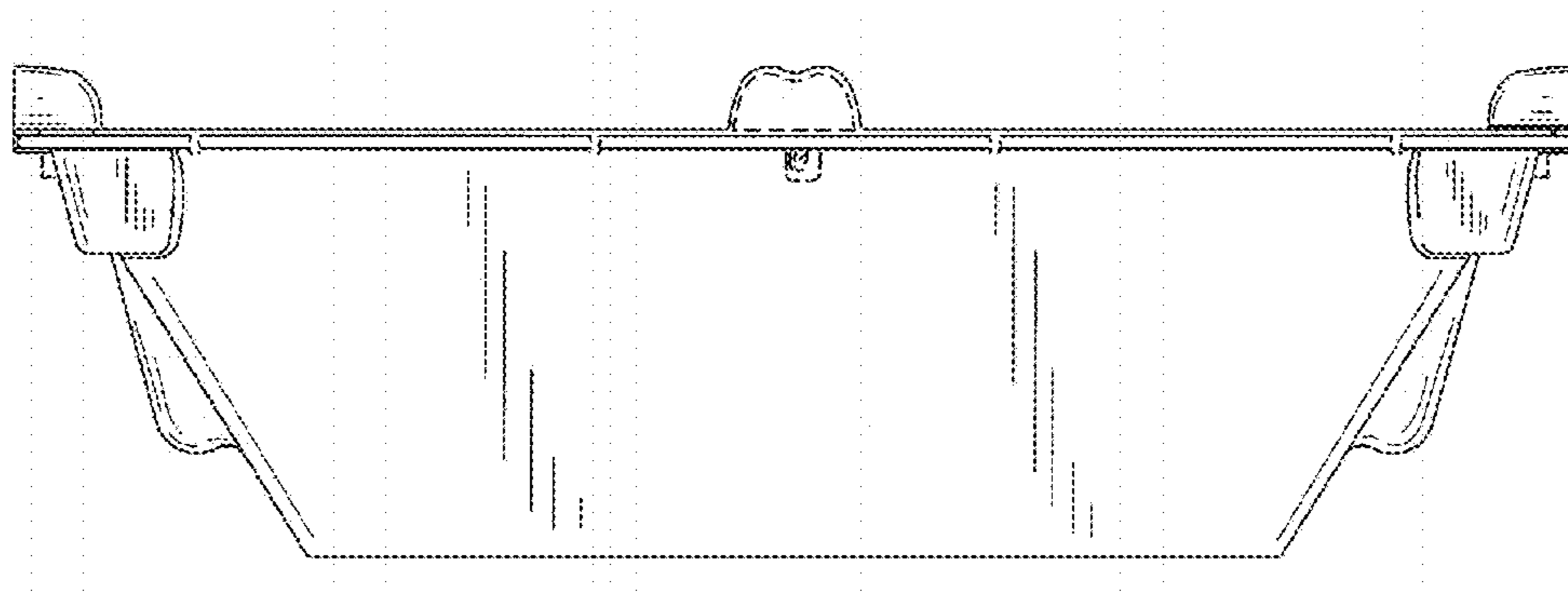


Fig. 2

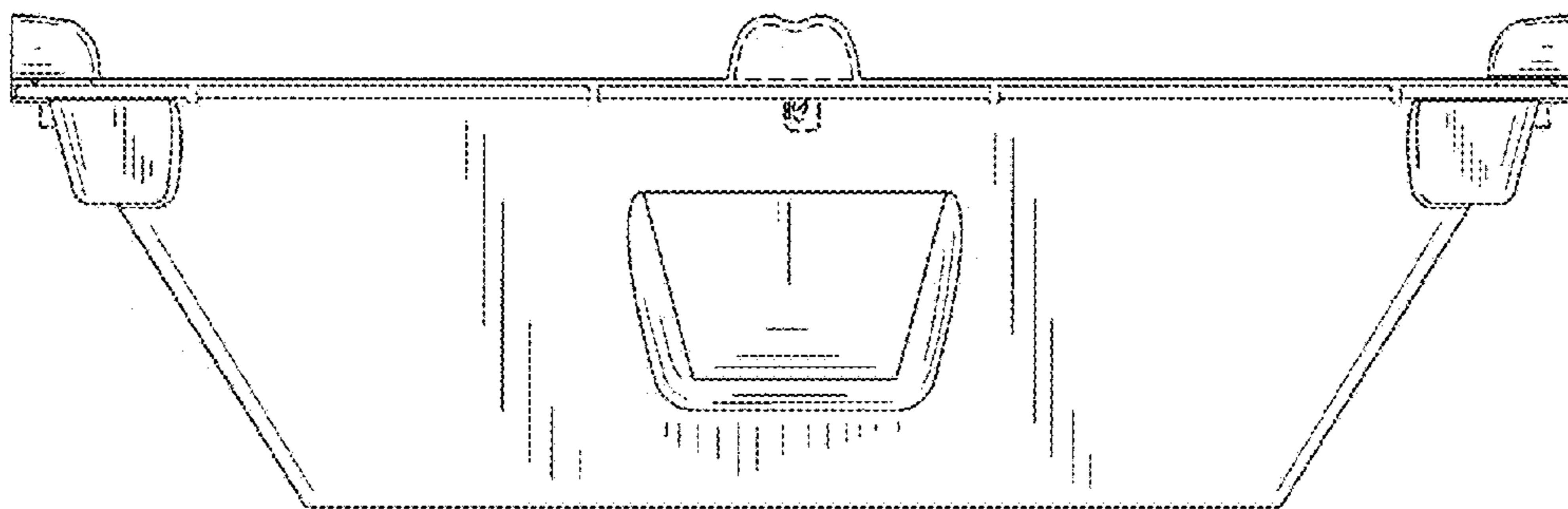


Fig. 3



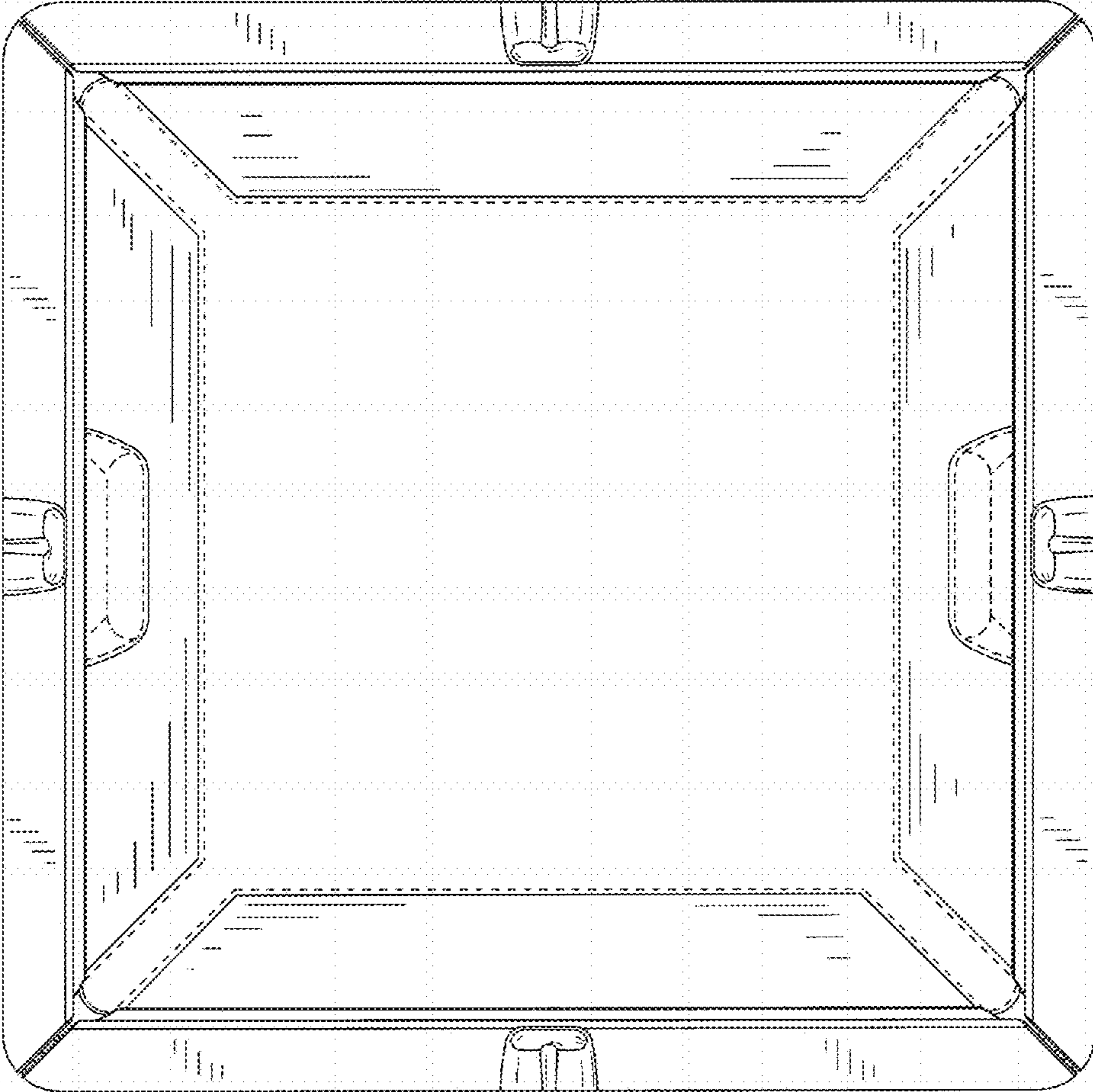


Fig. 4

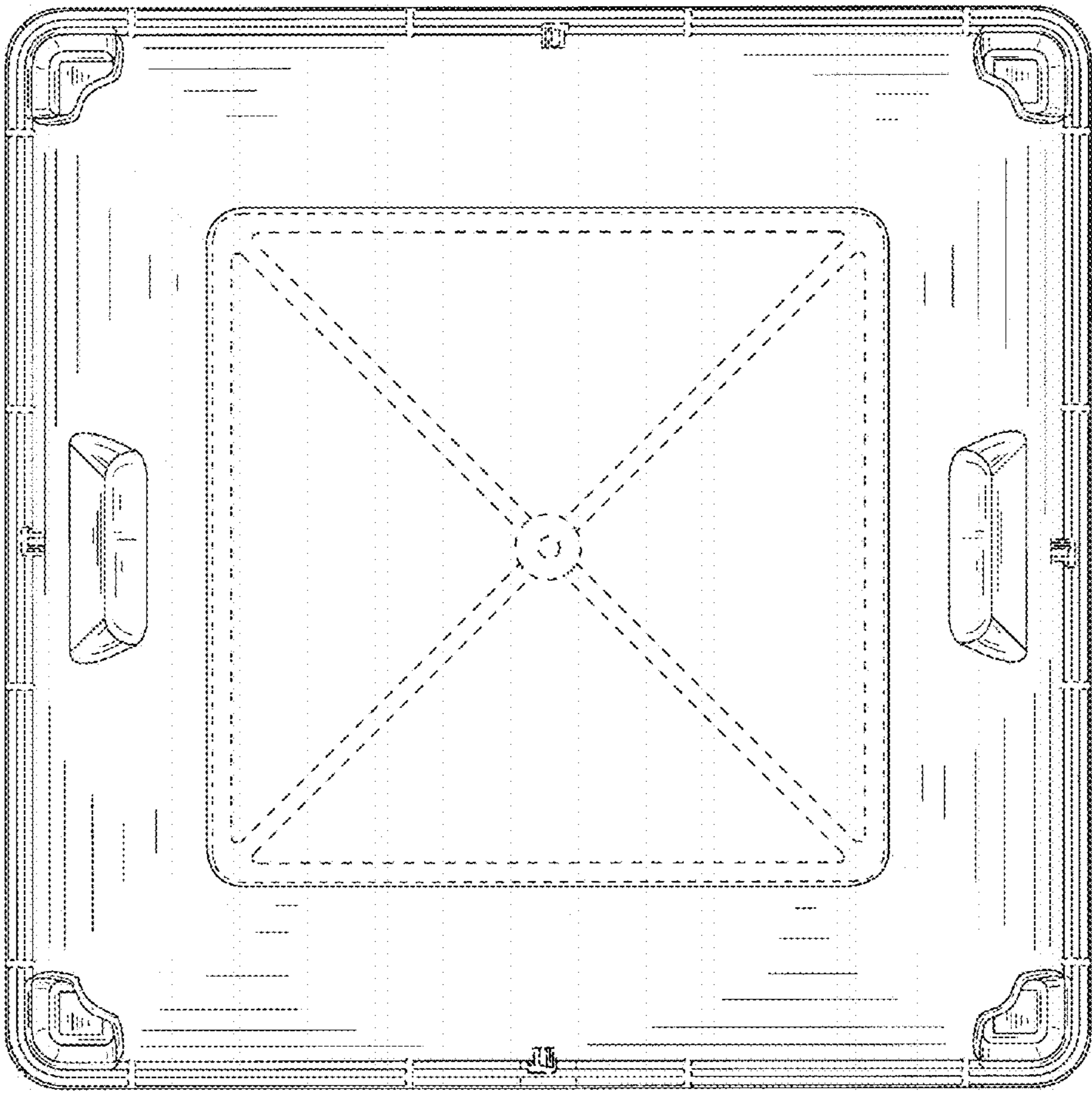


Fig. 5

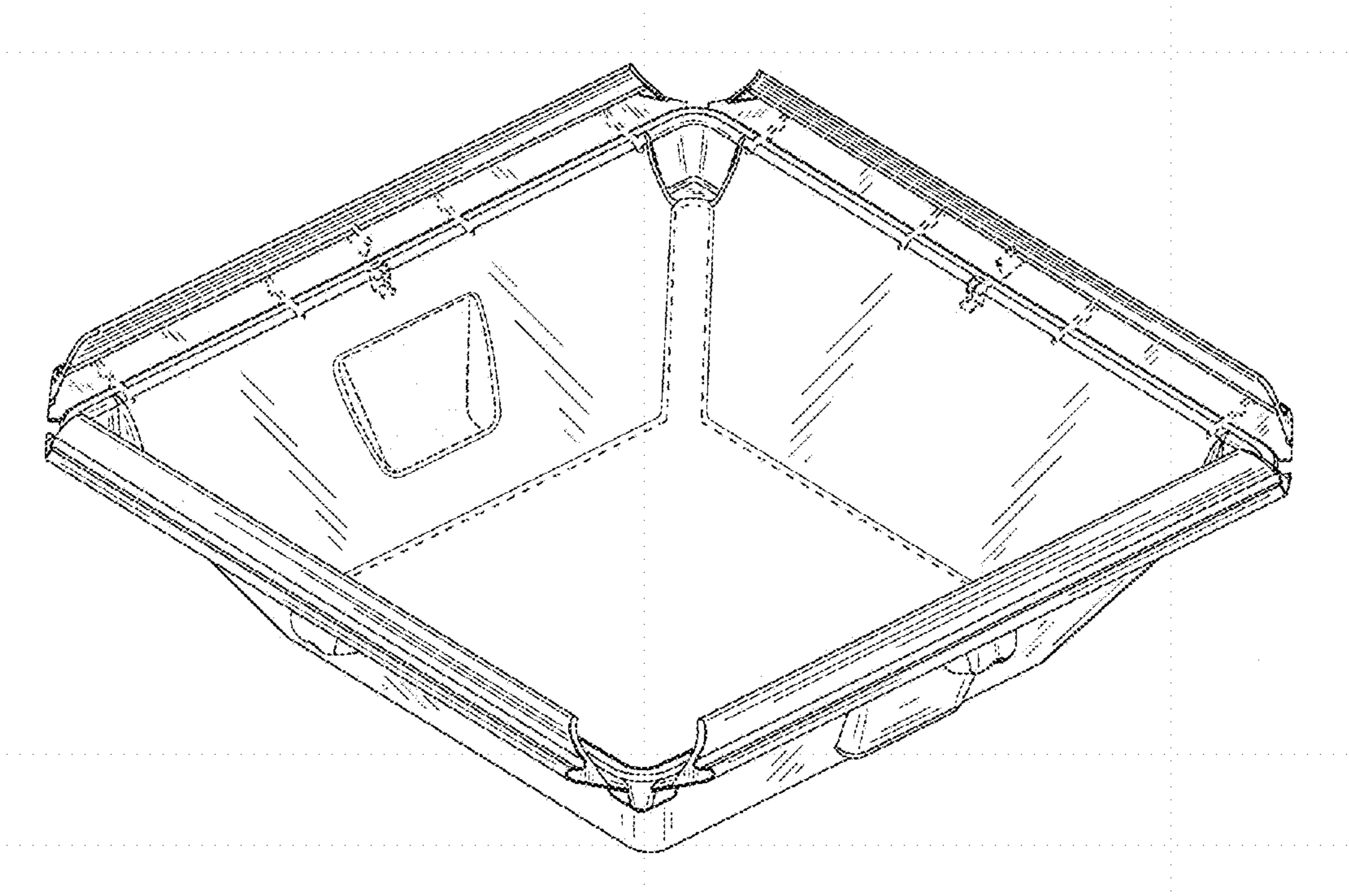


Fig. 6

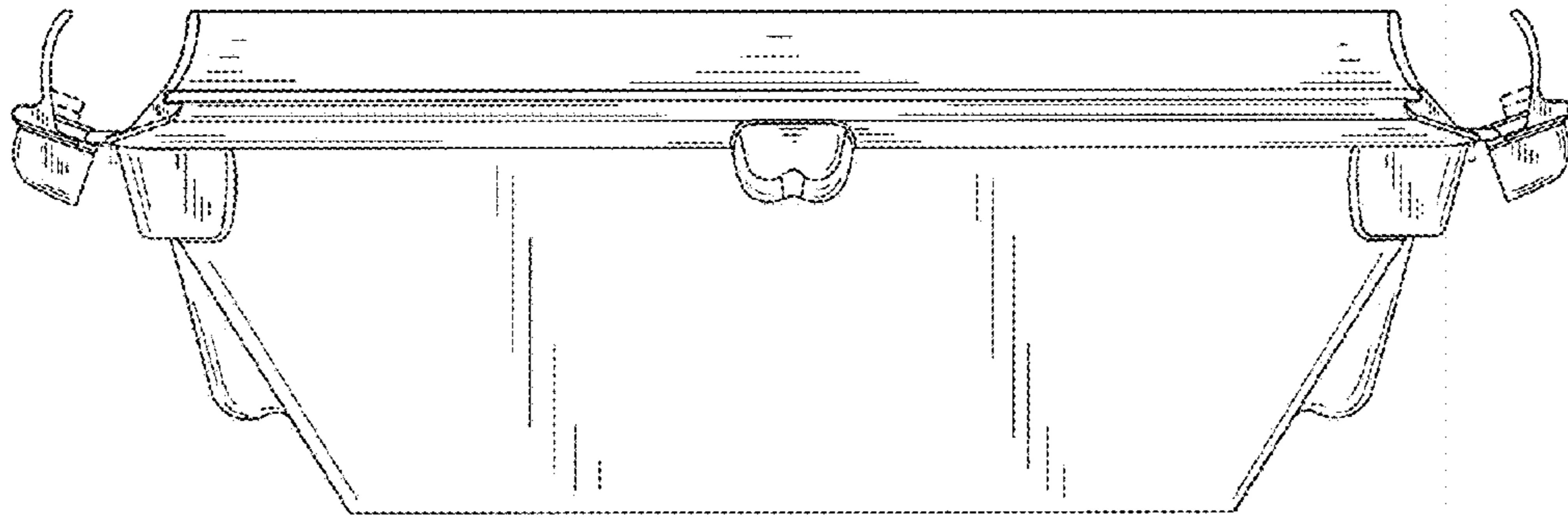


Fig. 7

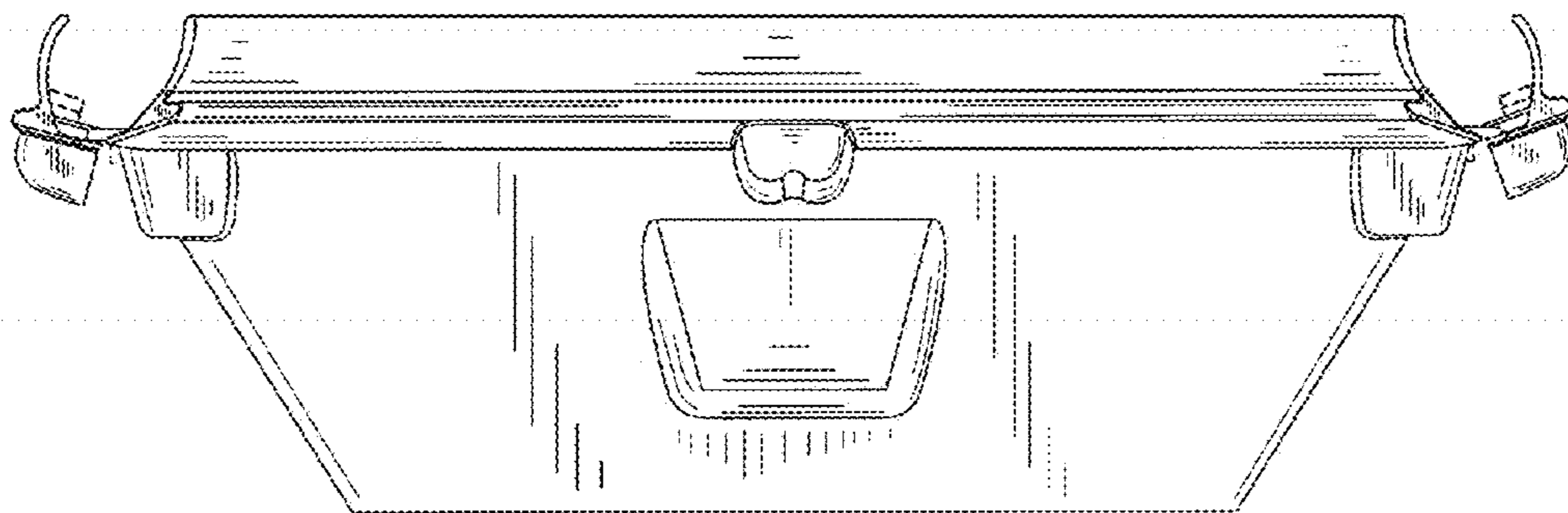


Fig. 8



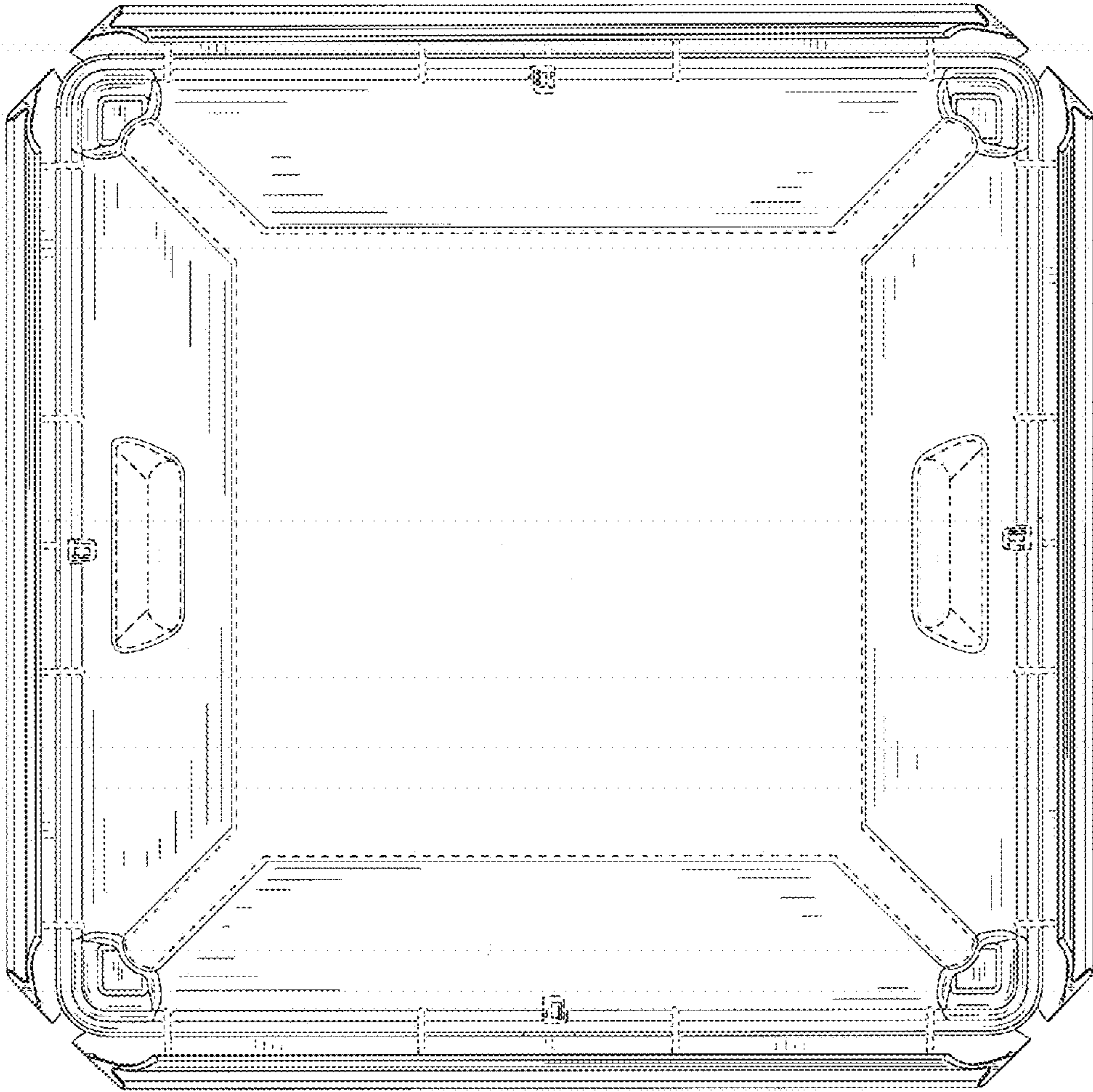


Fig. 9

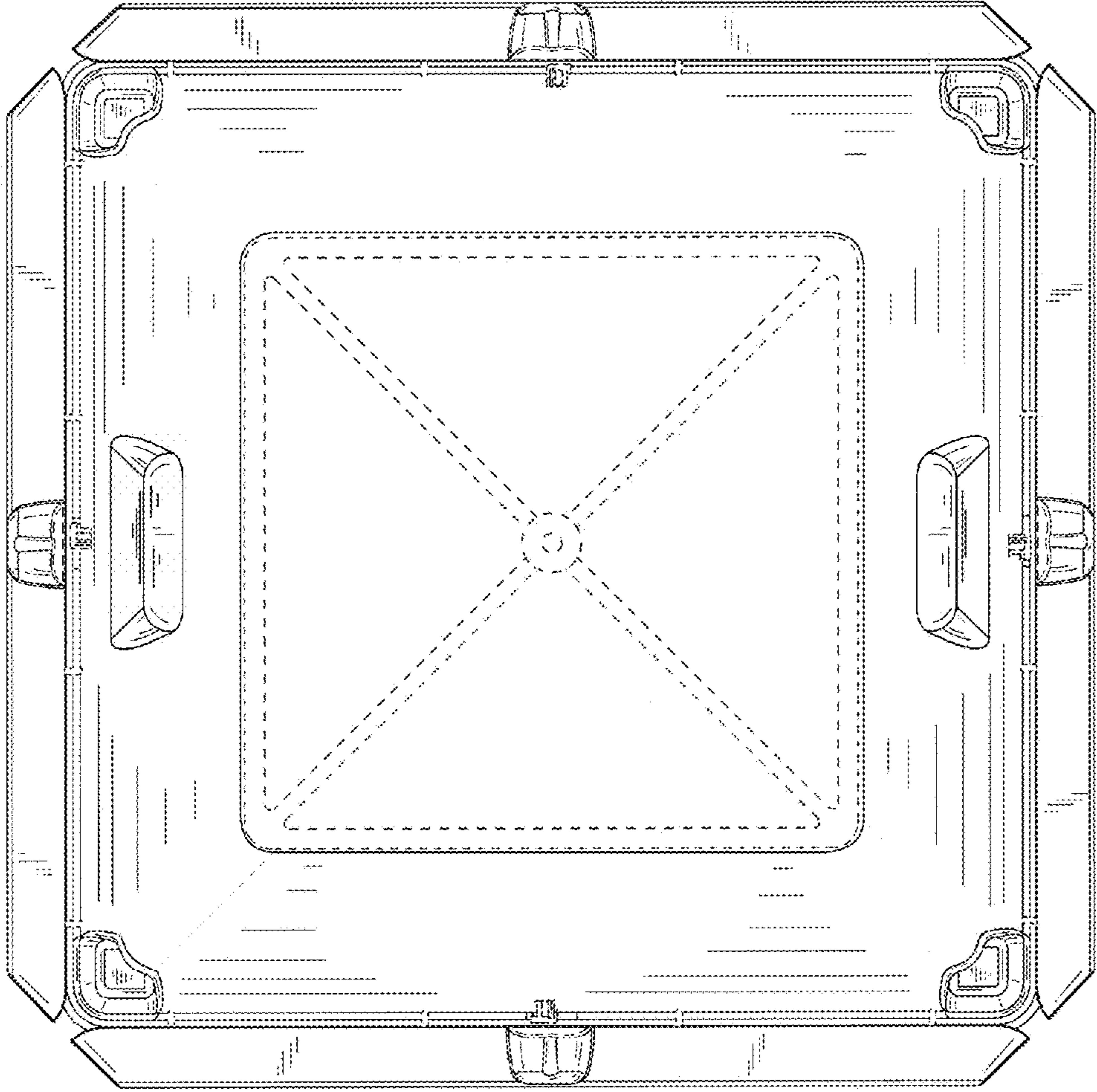


Fig. 10