



US00D731714S

(12) **United States Design Patent**
Mihlbauer

(10) **Patent No.:** **US D731,714 S**

(45) **Date of Patent:** **** Jun. 9, 2015**

(54) **FISH TANK**

(71) Applicant: **CENTRAL GARDEN & PET COMPANY**, Walnut Creek, CA (US)

(72) Inventor: **Brad L. Mihlbauer**, Mukwonago, WI (US)

(73) Assignee: **CENTRAL GARDEN & PET COMPANY**, Walnut Creek, CA (US)

(**) Term: **14 Years**

(21) Appl. No.: **29/477,302**

(22) Filed: **Dec. 20, 2013**

(51) **LOC (10) Cl.** **30-02**

(52) **U.S. Cl.**
USPC **D30/102**

(58) **Field of Classification Search**
USPC D30/101–107; D11/145; 119/245–248,
119/250, 253–257, 269, 268
See application file for complete search history.

(56) **References Cited**

U.S. PATENT DOCUMENTS

2,879,742	A *	3/1959	Morrill	D30/101
3,367,063	A *	2/1968	Bondesen et al.	D30/101
3,664,301	A *	5/1972	Morrill	119/258
D233,049	S *	10/1974	Bennett et al.	D30/105
D241,333	S *	9/1976	Wheeler	D30/101

(Continued)

OTHER PUBLICATIONS

“YingYang cups”, <http://eternalpuppy.deviantart.com/art/YingYang-cups-80426448>, Nov. 26, 2013.

Primary Examiner — Wan Laymon

(74) *Attorney, Agent, or Firm* — Grossman, Tucker, Perreault & Pfleger, PLLC

(57) **CLAIM**

The ornamental design for a fish tank, as shown and described.

DESCRIPTION

FIG. 1 is a perspective view of a fish tank of the present invention;

FIG. 2 is a front view of the fish tank of FIG. 1;

FIG. 3 is a back view of the fish tank of FIG. 1;

FIG. 4 is a left side view of the fish tank of FIG. 1;

FIG. 5 is a right side view of the fish tank of FIG. 1;

FIG. 6 is a top view of the fish tank of FIG. 1;

FIG. 7 is a bottom view of the fish tank of FIG. 1;

FIG. 8 is a top view of the fish tank of FIG. 1 as assembled with another fish tank;

FIG. 9 is a perspective view of the fish tank of FIG. 1 as assembled with another fish tank;

FIG. 10 is a perspective view of the fish tank of the present invention;

FIG. 11 is a front view of the fish tank of FIG. 10;

FIG. 12 is a back view of the fish tank of FIG. 10;

FIG. 13 is a left side view of the fish tank of FIG. 10;

FIG. 14 is a right side view of the fish tank of FIG. 10;

FIG. 15 is a top view of the fish tank of FIG. 10;

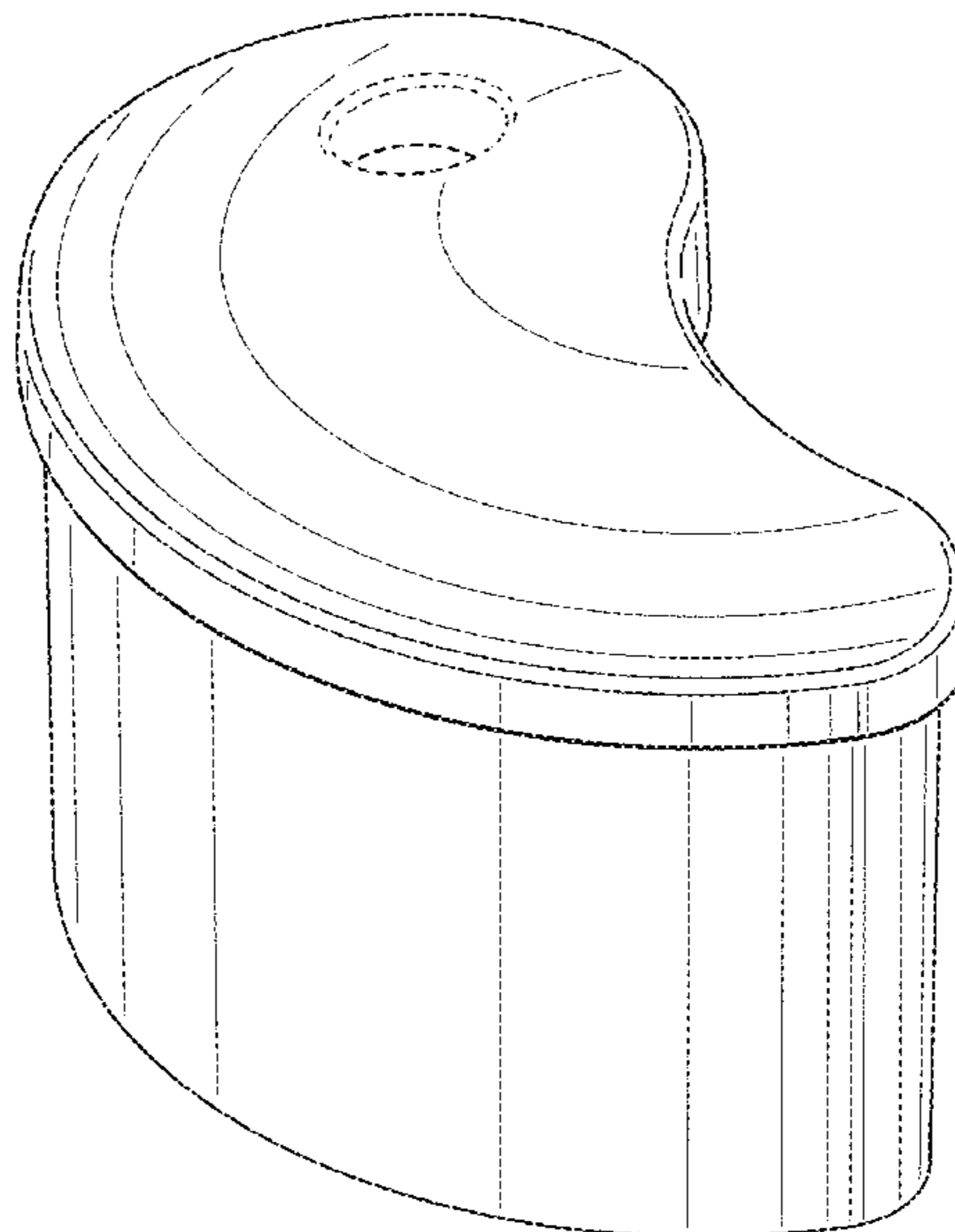
FIG. 16 is a bottom view of the fish tank of FIG. 10;

FIG. 17 is a top view of the fish tank of FIG. 10 as assembled with another fish tank; and,

FIG. 18 is a perspective view of the fish tank of FIG. 10 as assembled with another fish tank.

The broken lines shown in the figures represent portions of the fish tank that form no part of the claimed design.

1 Claim, 18 Drawing Sheets



US D731,714 S

Page 2

(56)

References Cited

U.S. PATENT DOCUMENTS

D255,948 S *	7/1980	Robert	D30/105			
D490,940 S *	6/2004	Wang	D30/105			
							* cited by examiner
					7,243,613 B2	7/2007	Holms et al.
					D548,406 S *	8/2007	Mihlbauer D30/101
					2014/0261215 A1 *	9/2014	Tuan et al. 119/245

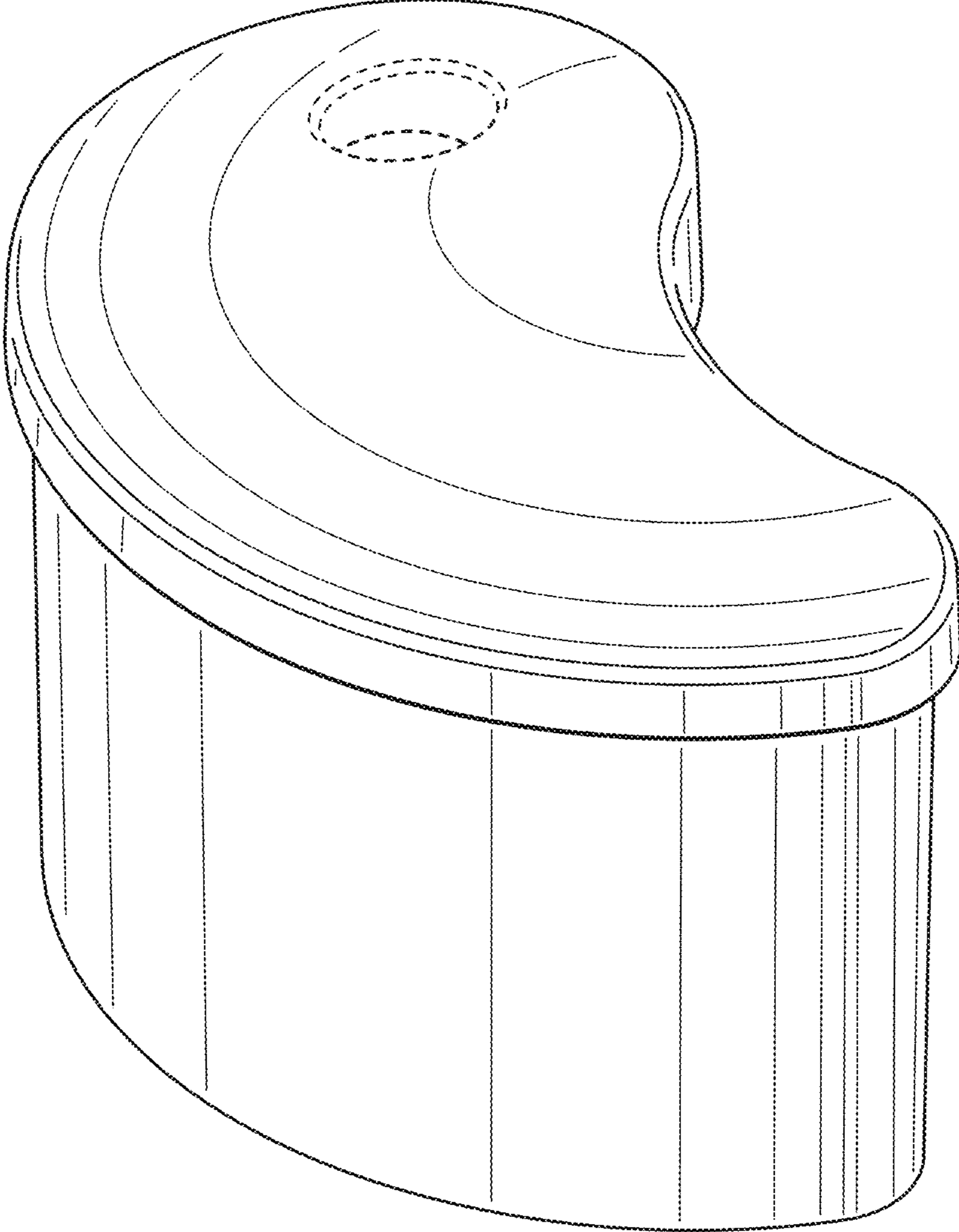


FIG. 1

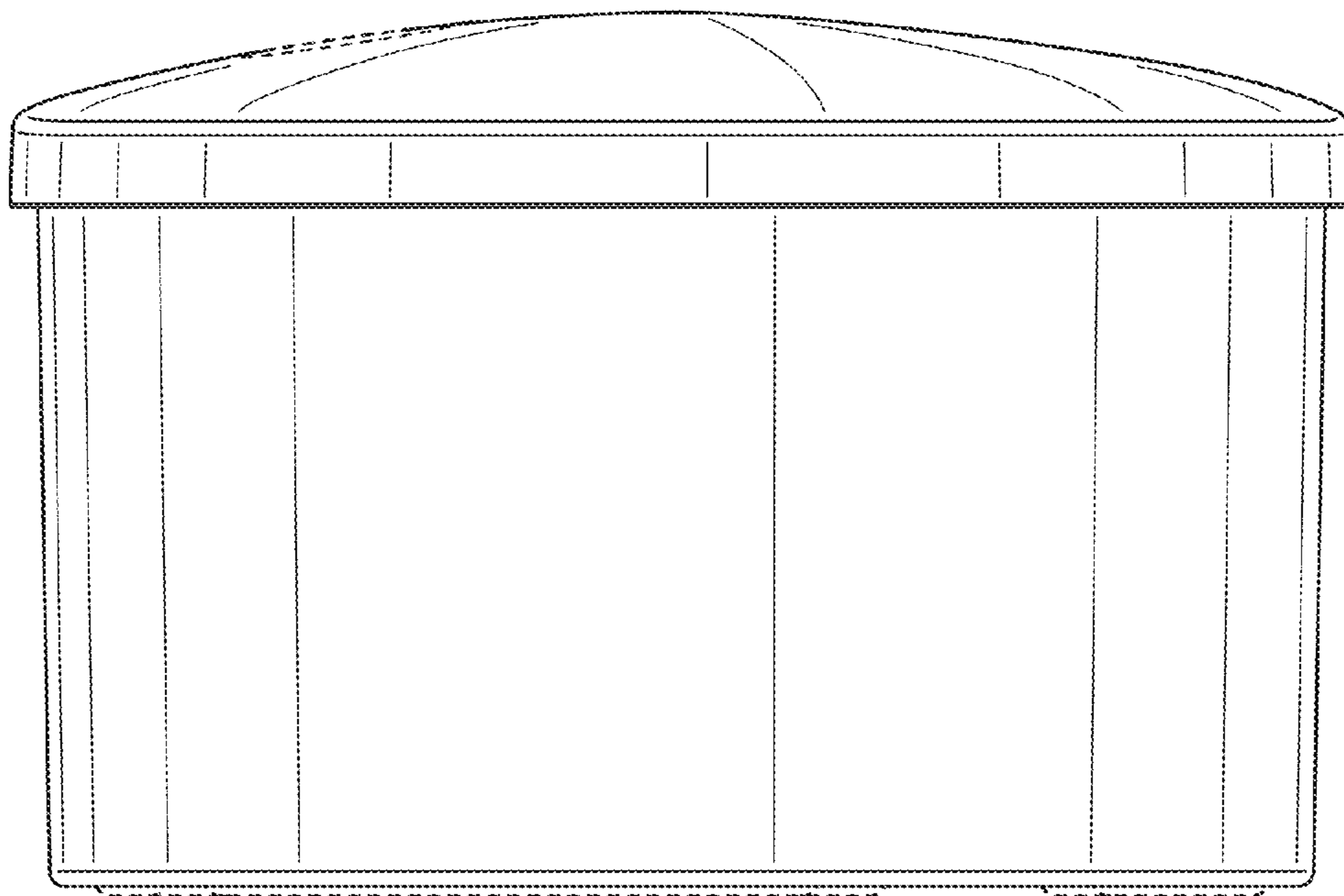


FIG. 2

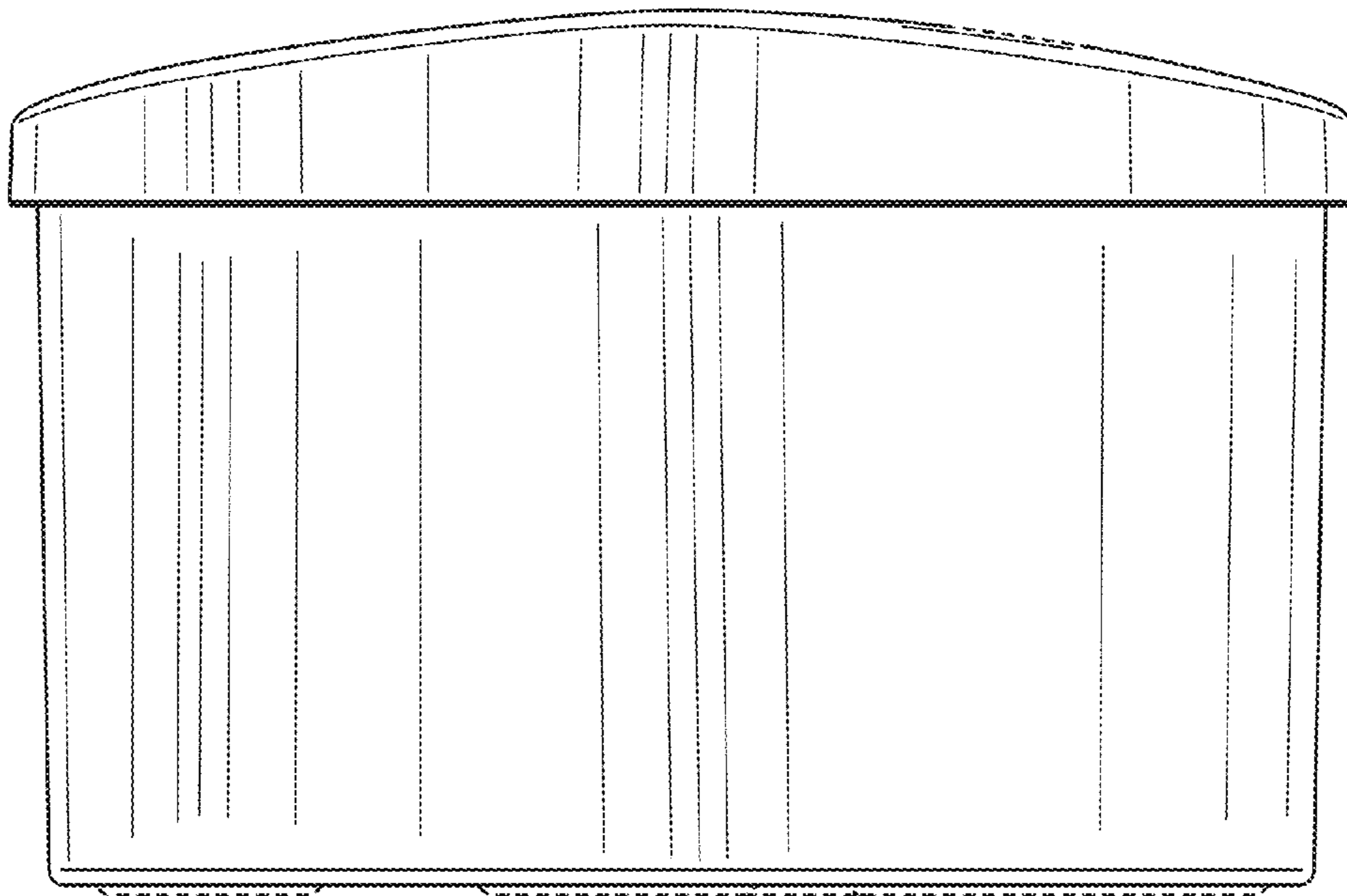


FIG. 3

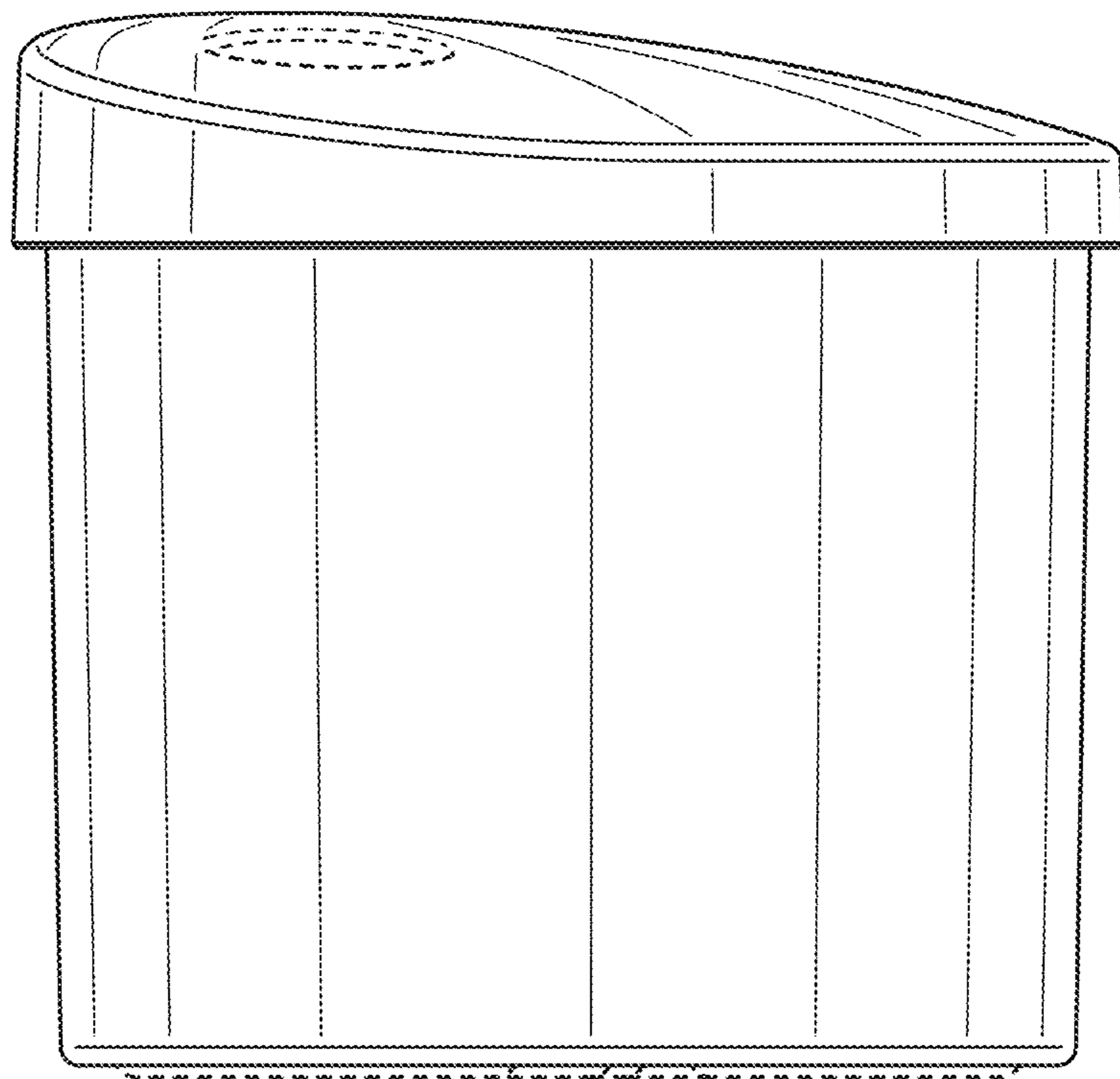


FIG. 4

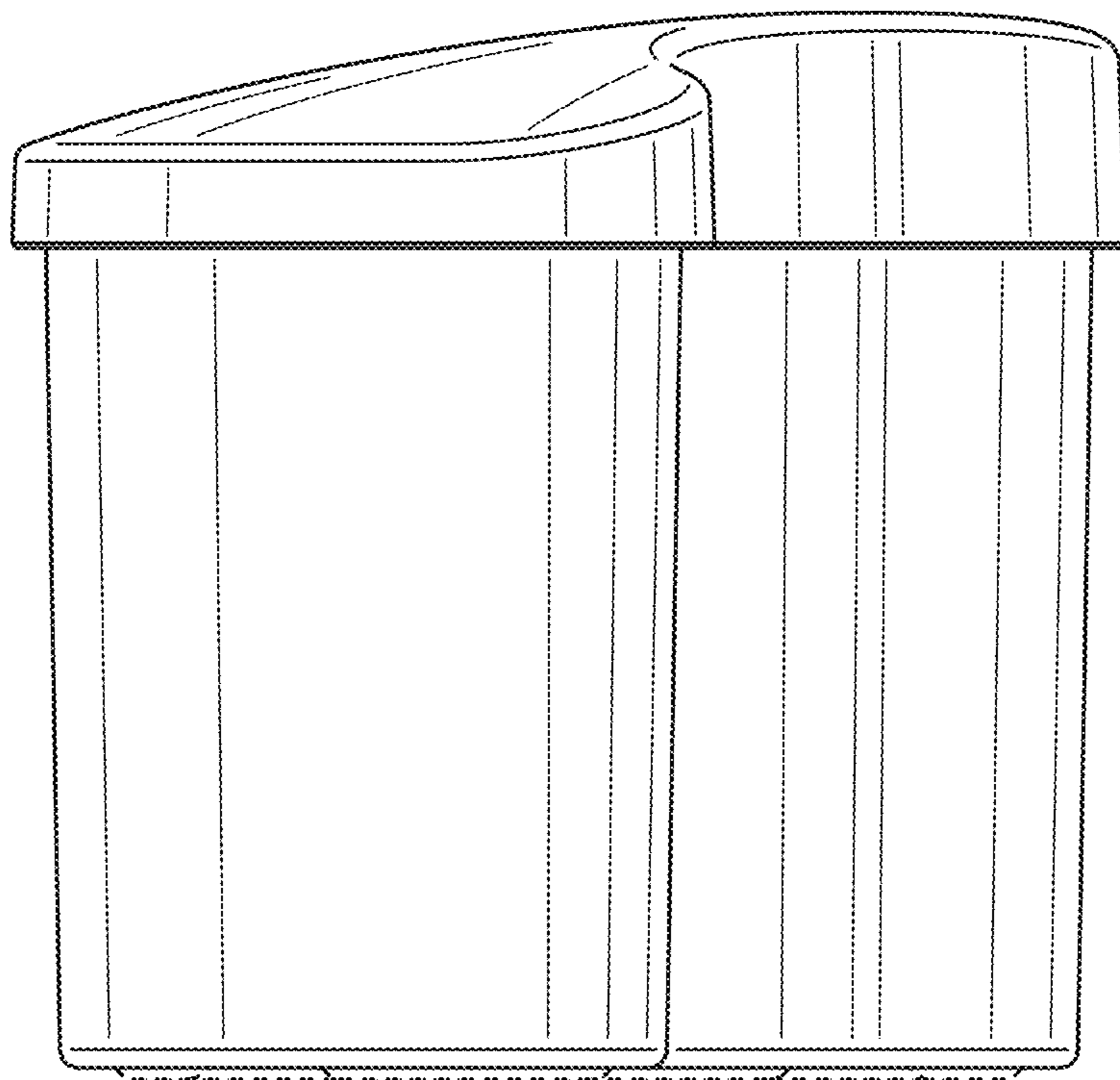


FIG. 5

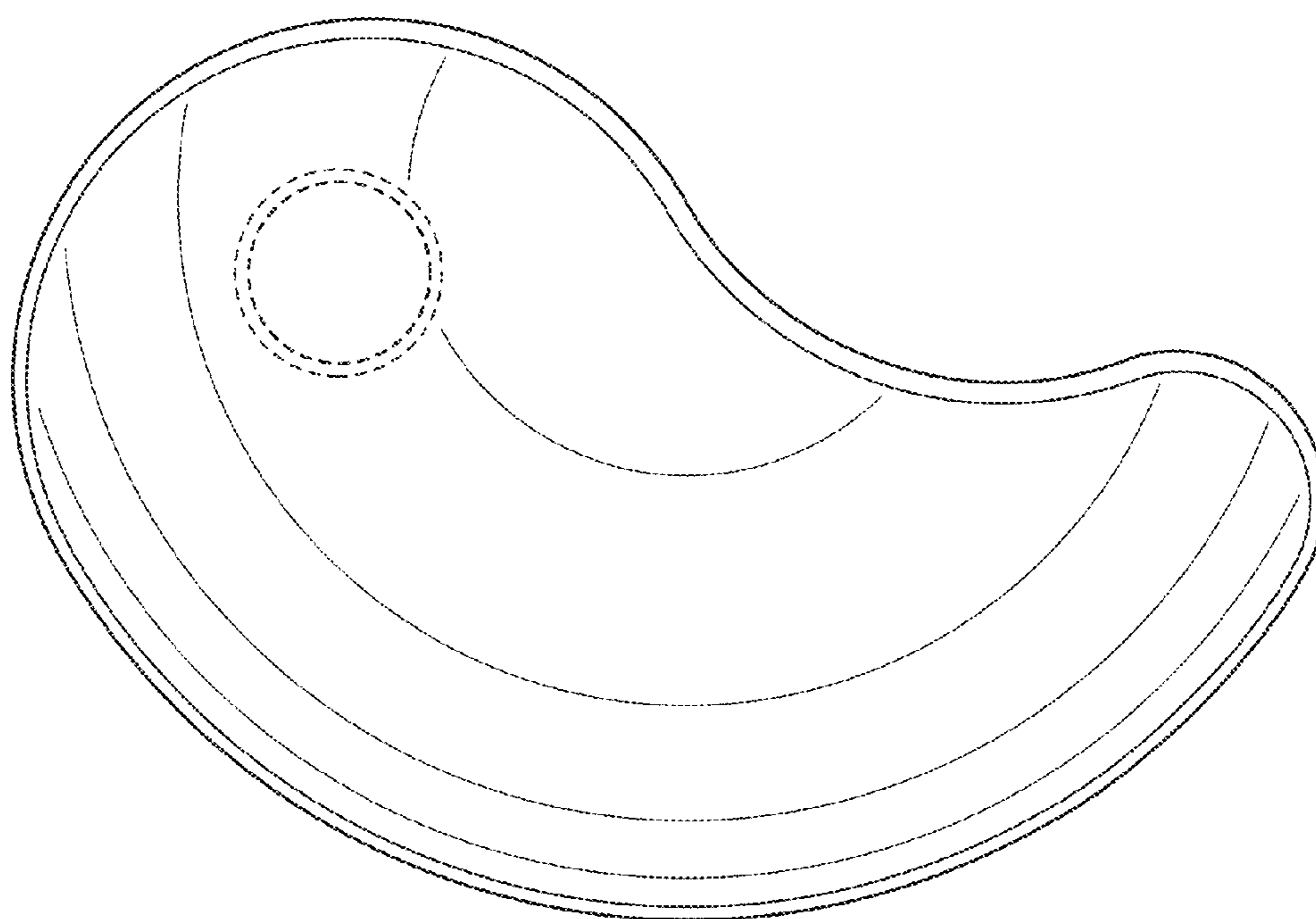


FIG. 6

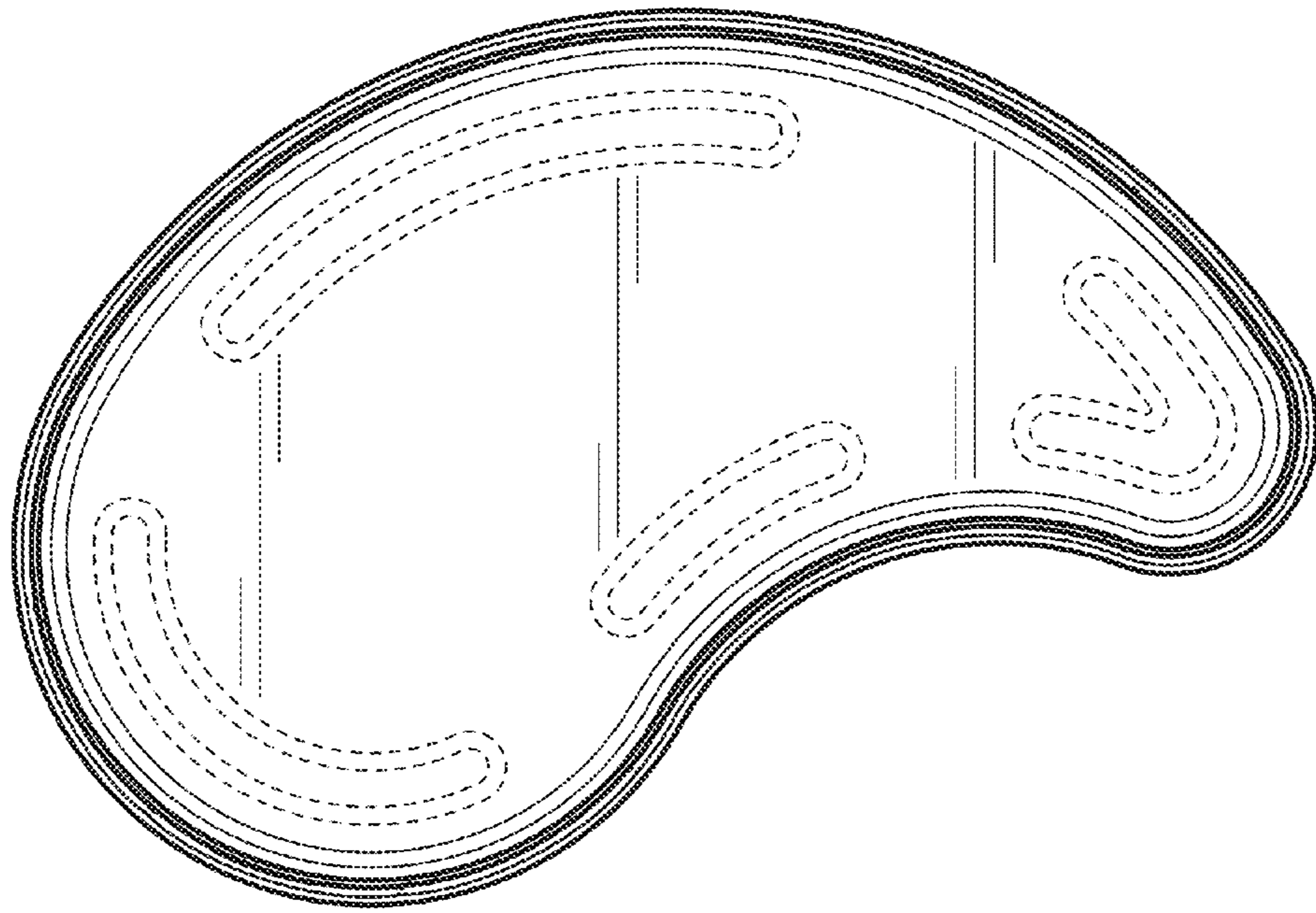


FIG. 7

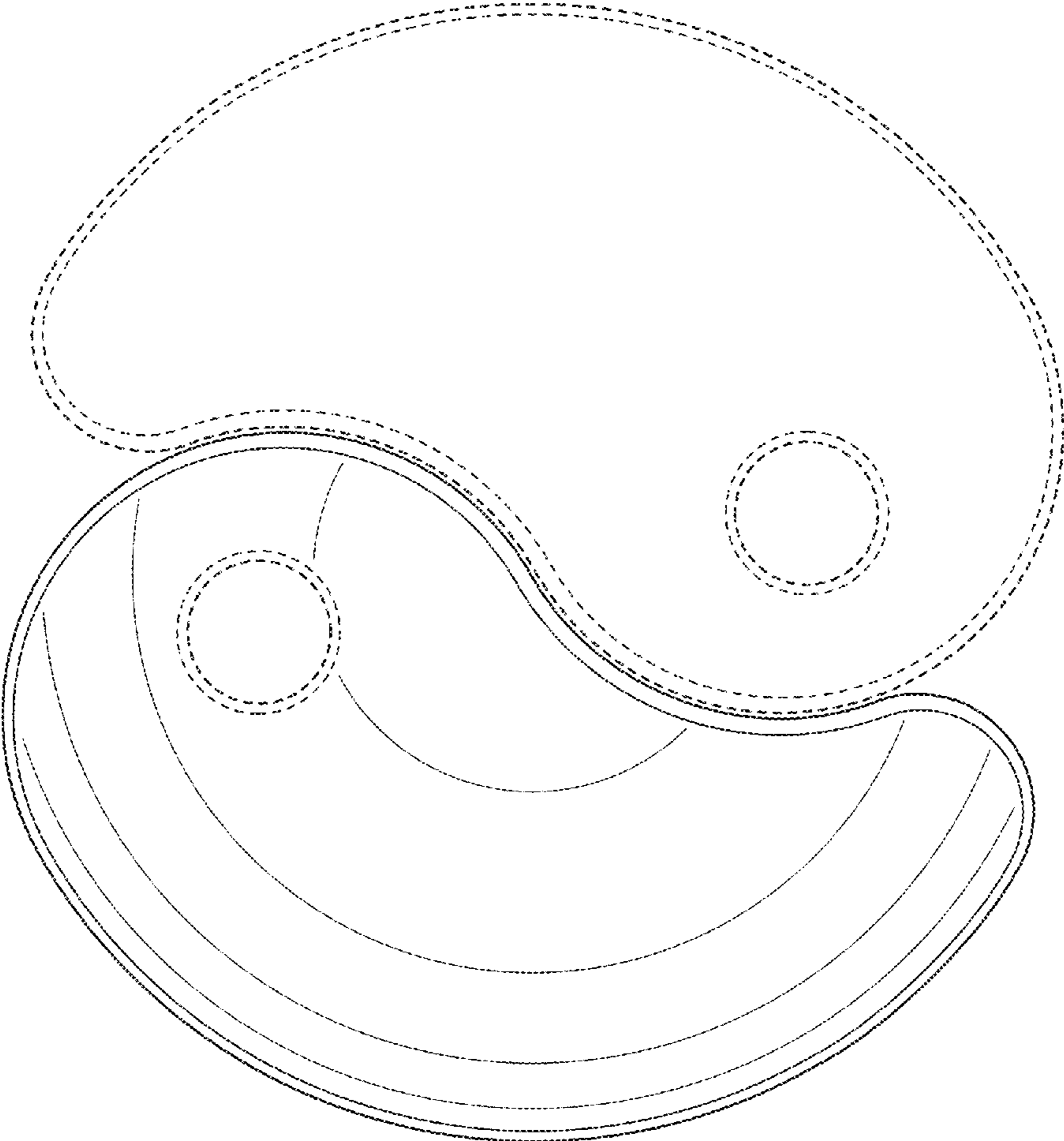


FIG. 8

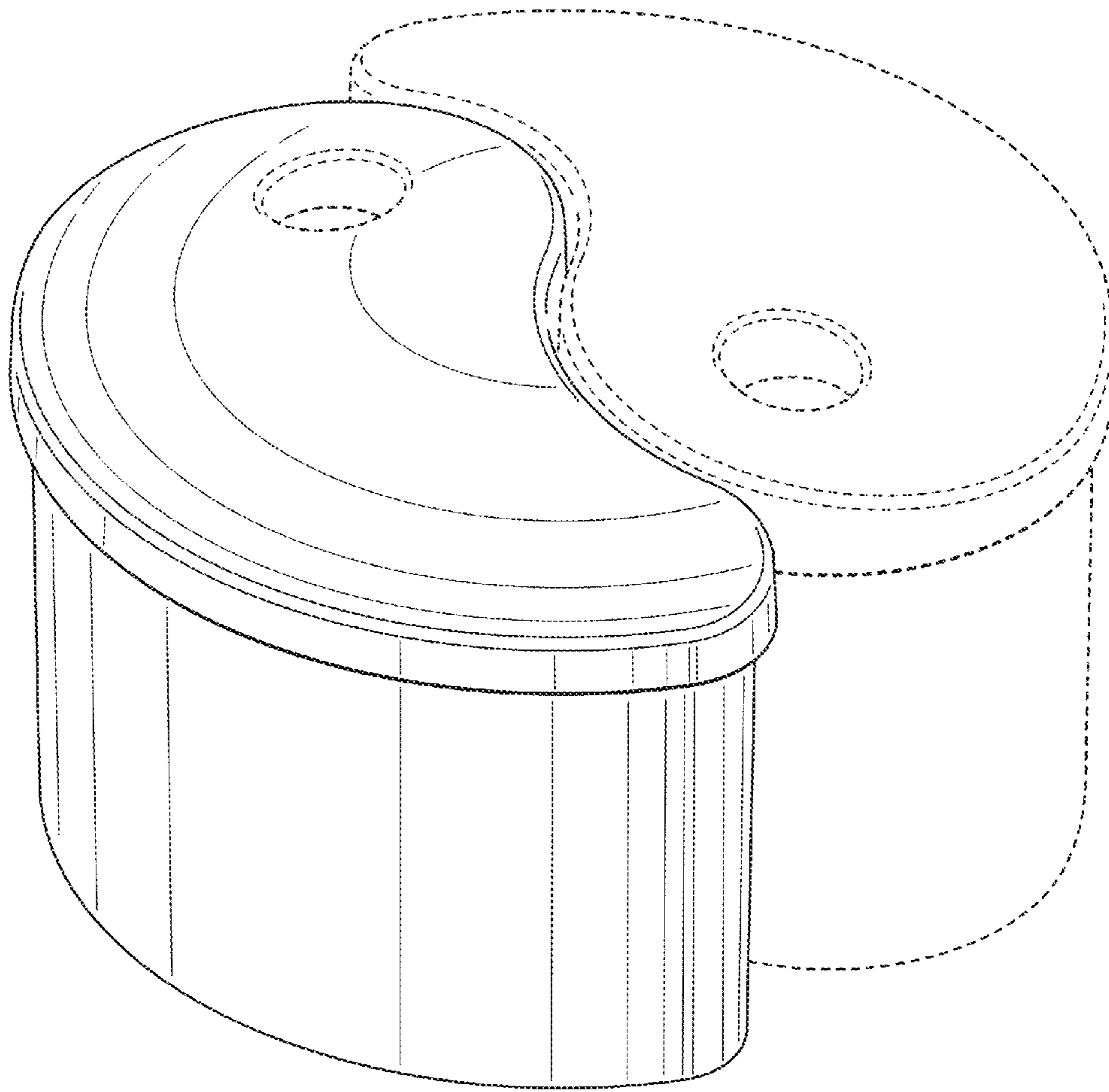


FIG. 9

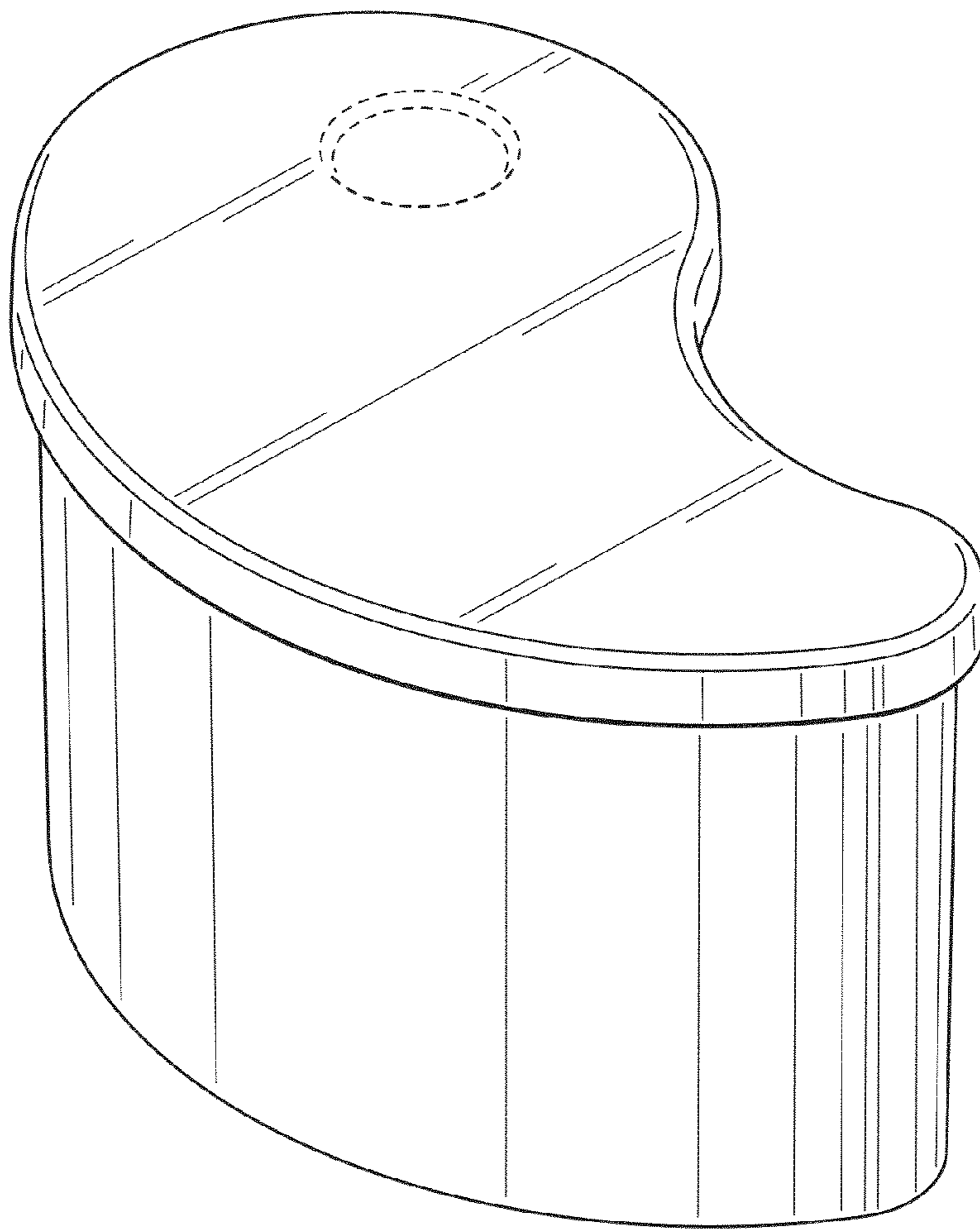


FIG. 10

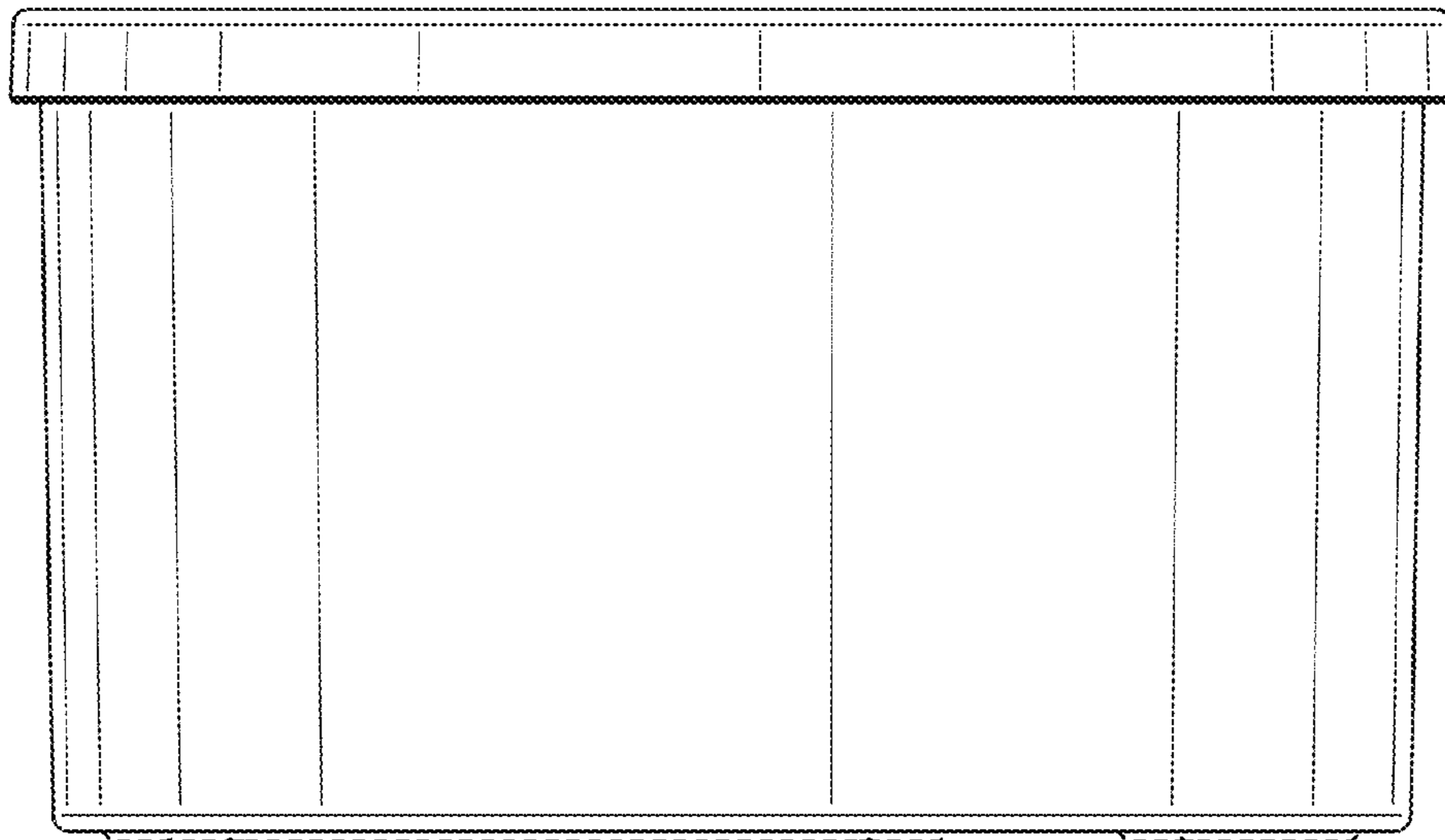


FIG. 11

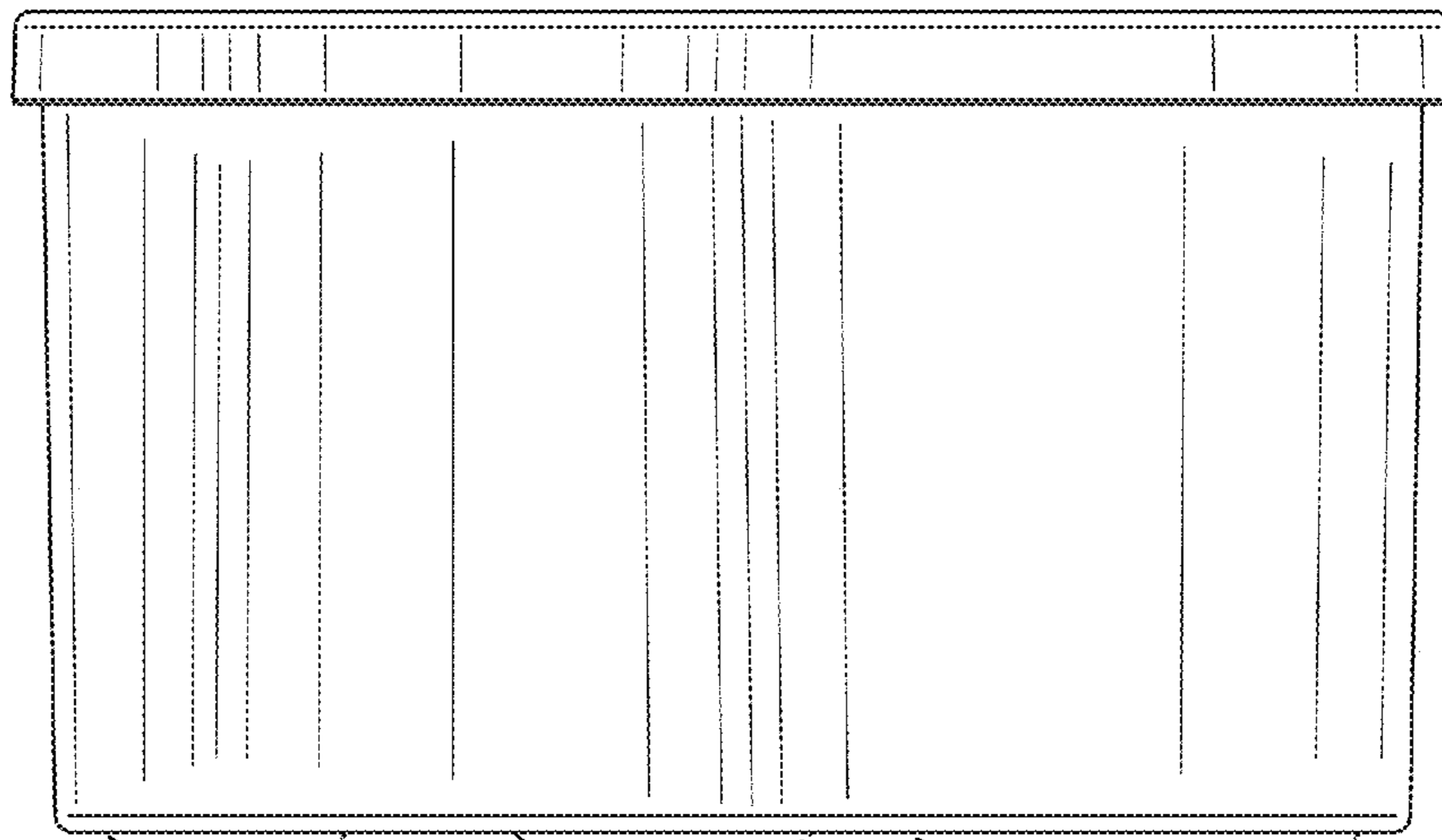


FIG. 12

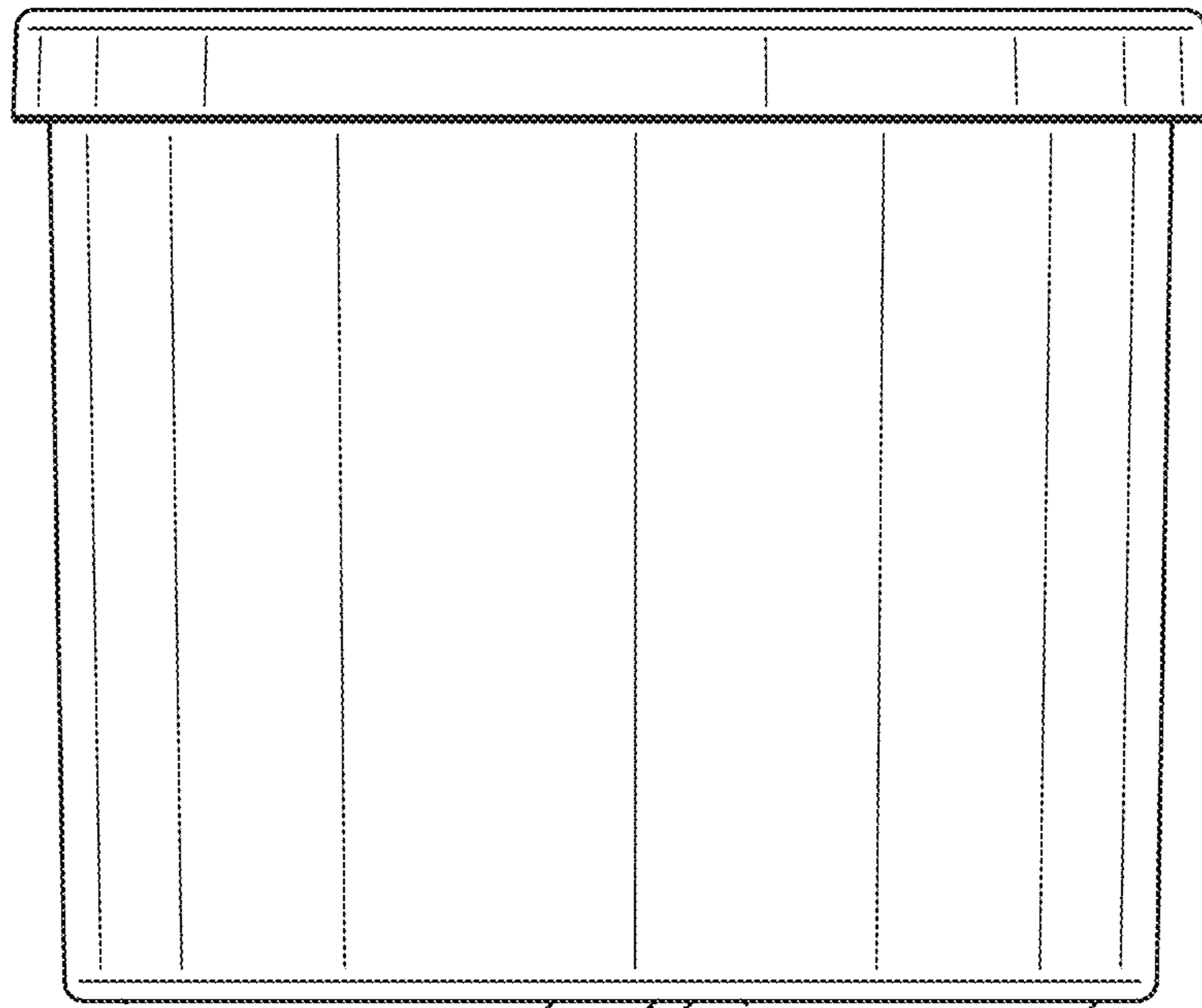


FIG. 13

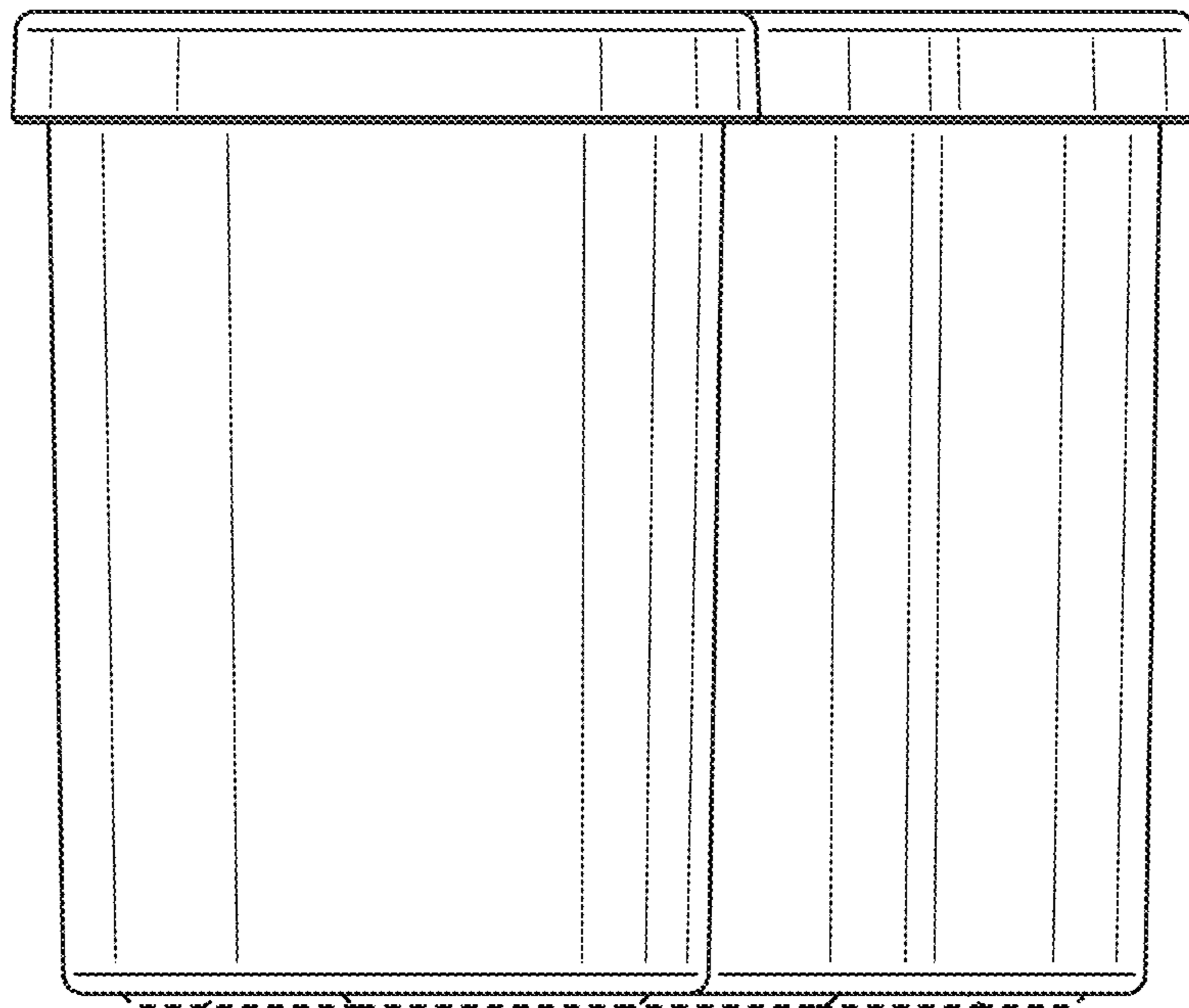


FIG. 14

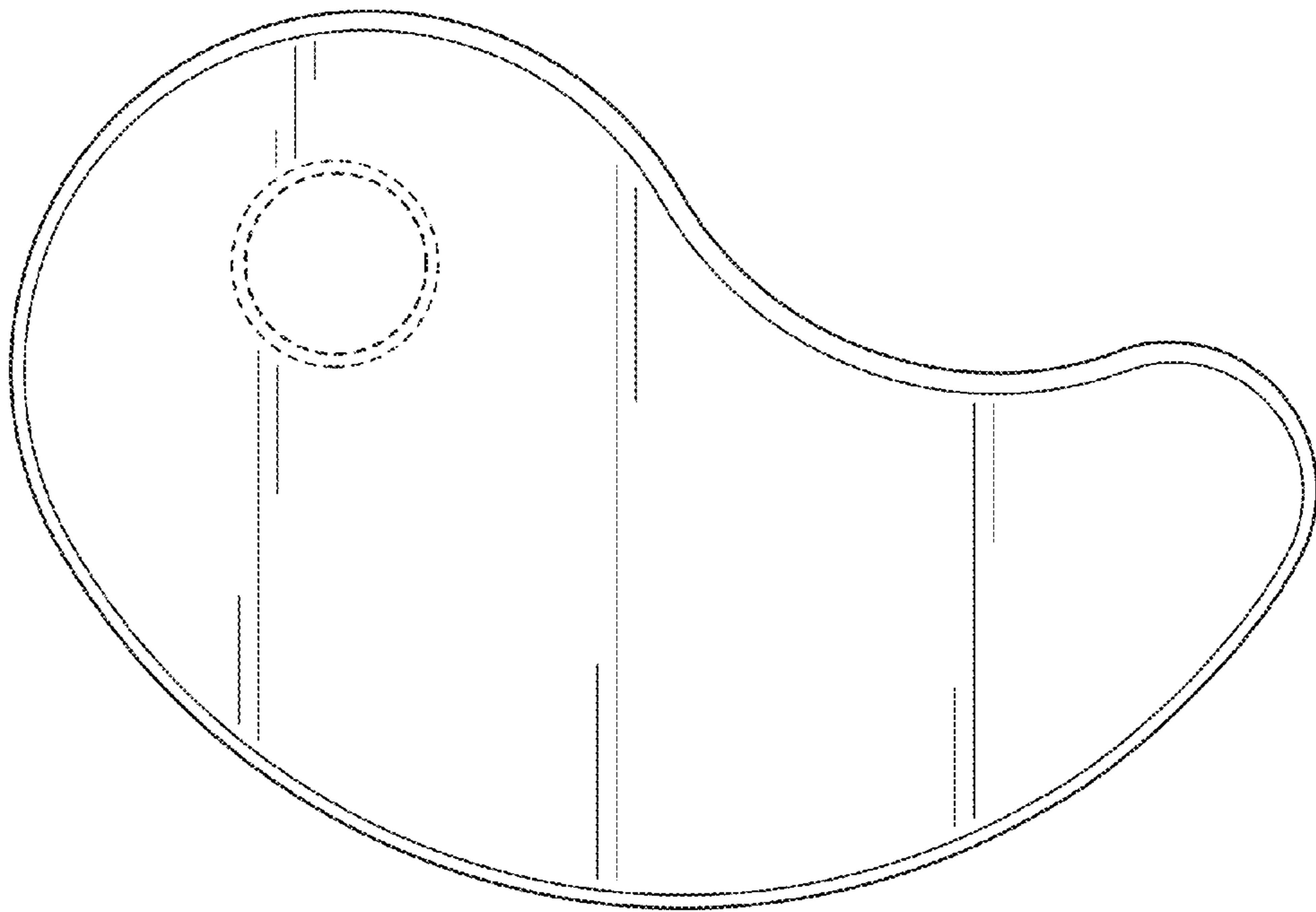


FIG. 15

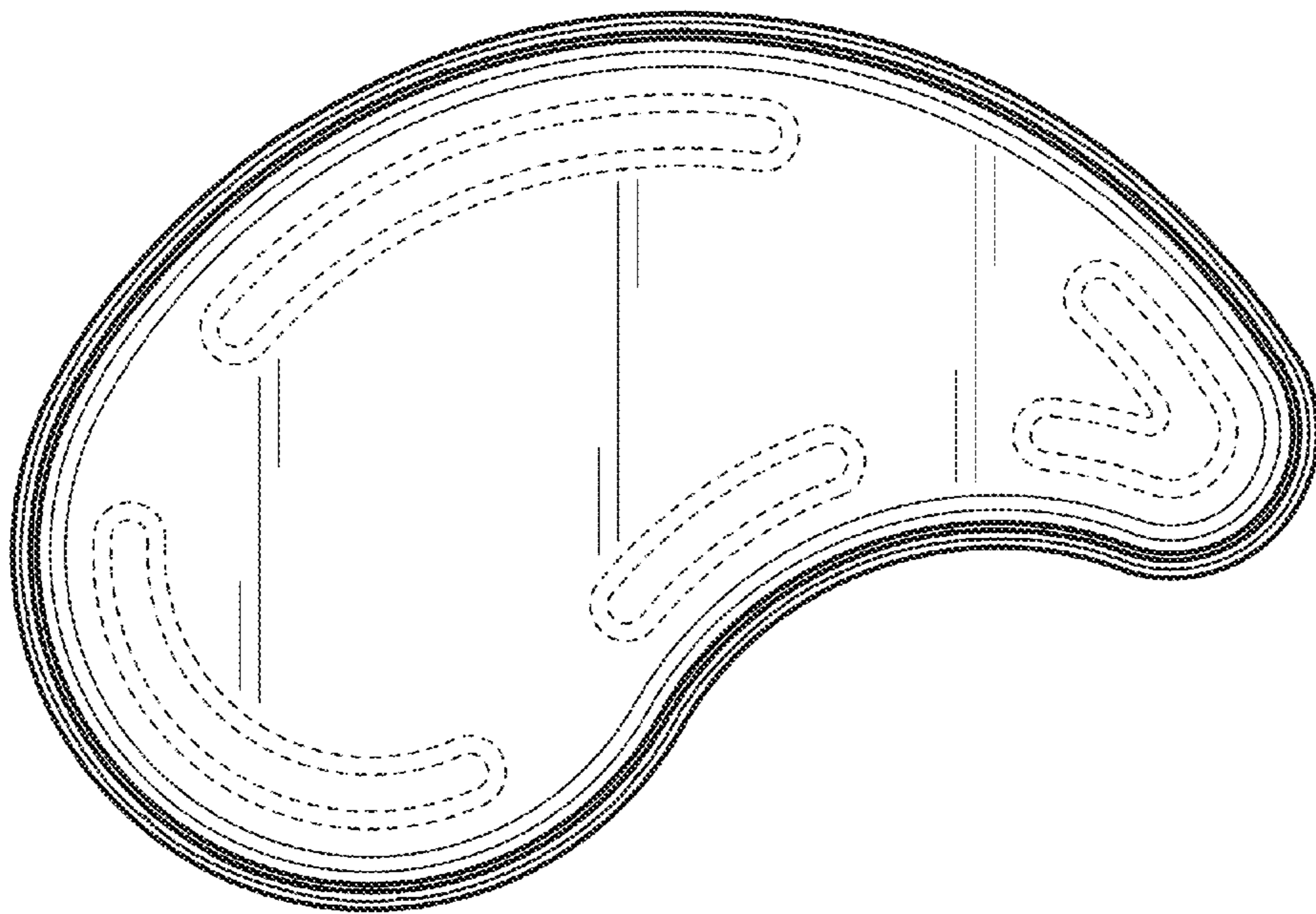


FIG. 16

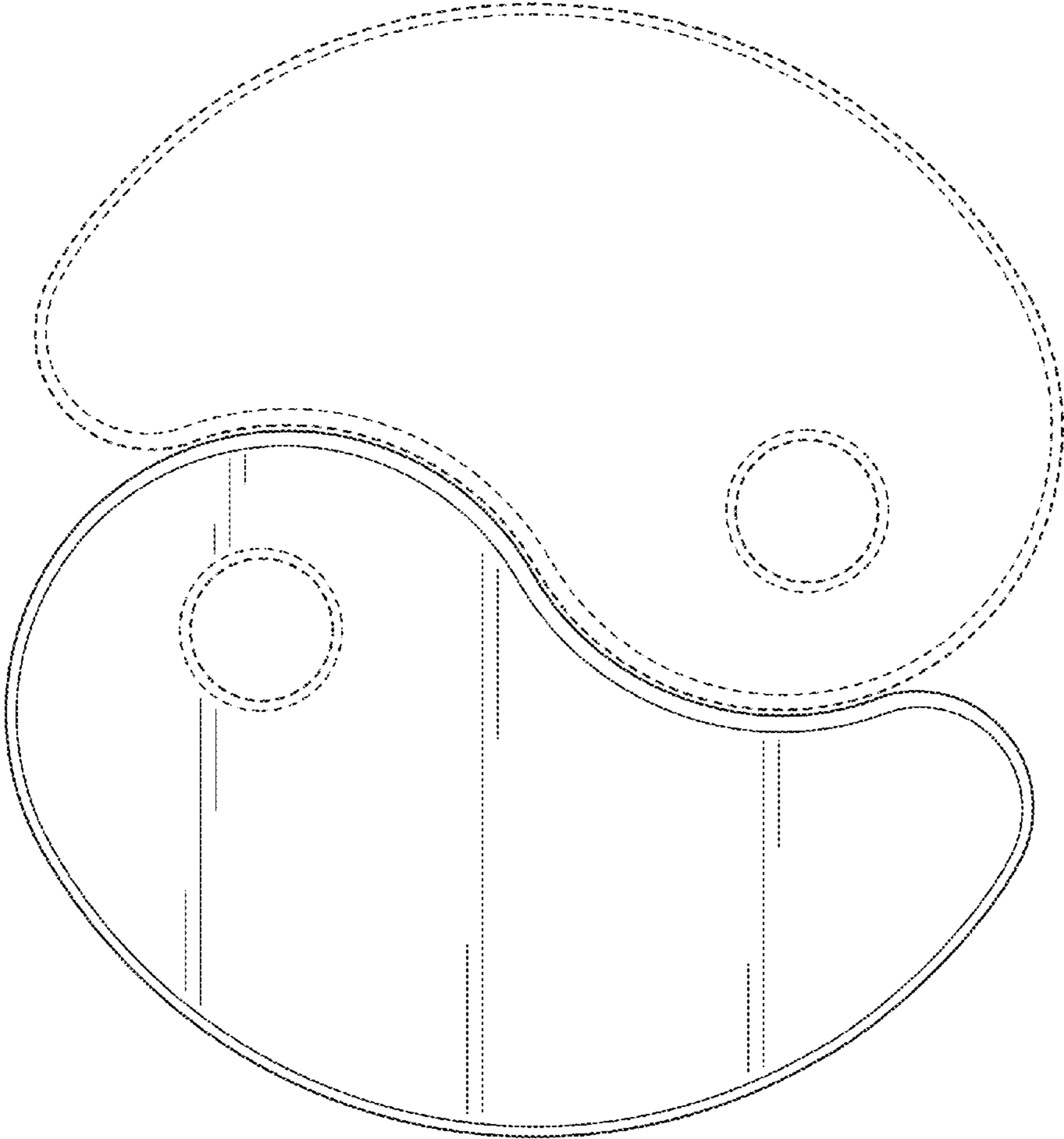


FIG. 17

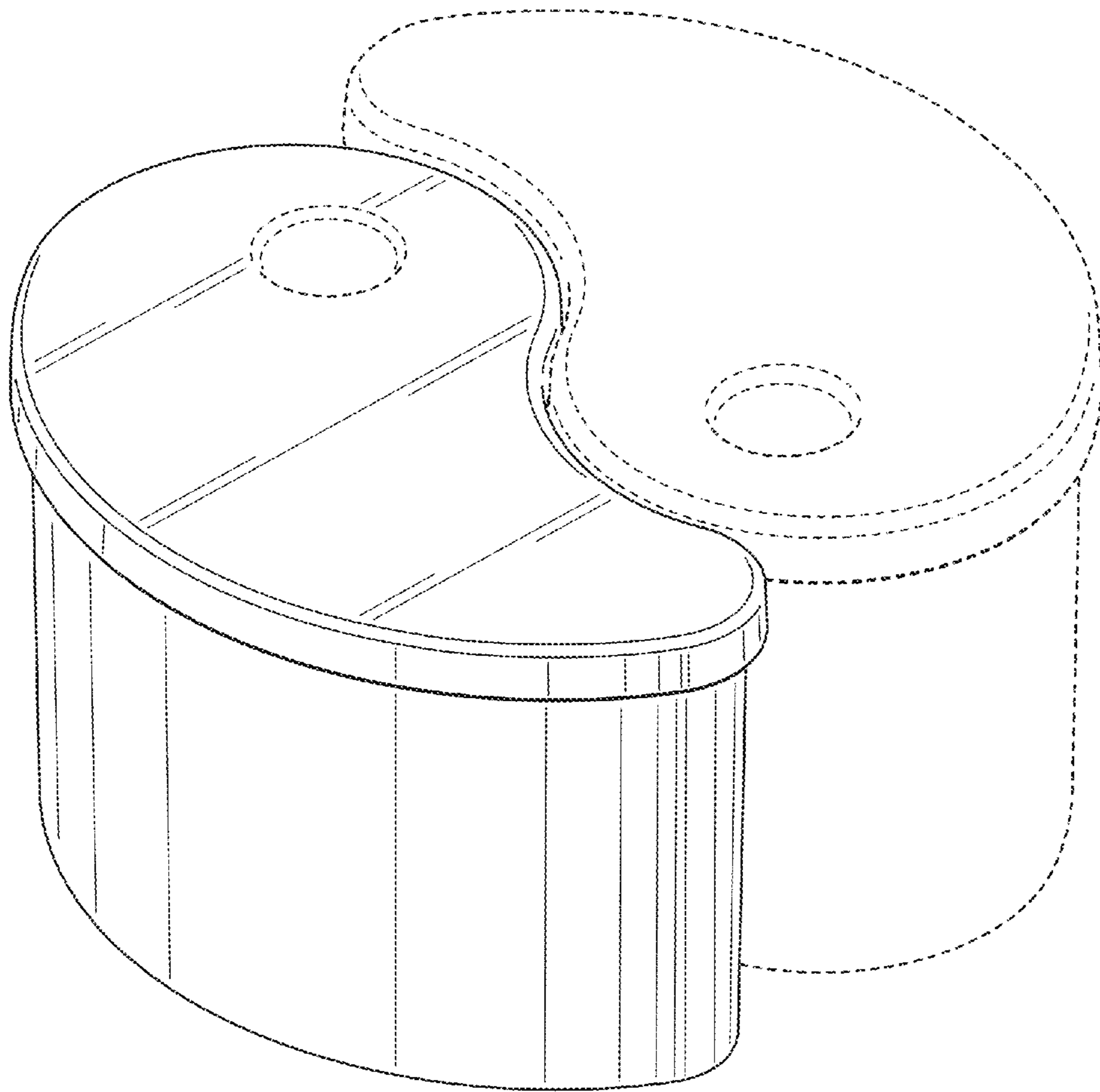


FIG. 18