



US00D731713S

(12) **United States Design Patent**
Pace

(10) **Patent No.:** **US D731,713 S**
(45) **Date of Patent:** **** Jun. 9, 2015**

- (54) **LIGHT EMITTING DIODE HEADSET**
- (71) Applicant: **TRAIL LED, LLC**, Plano, TX (US)
- (72) Inventor: **Grady A. Pace**, Plano, TX (US)
- (73) Assignee: **TRAIL LED, LLC**, Plano, TX (US)
- (**) Term: **14 Years**
- (21) Appl. No.: **29/465,248**
- (22) Filed: **Aug. 26, 2013**
- (51) **LOC (10) Cl.** **29-02**
- (52) **U.S. Cl.**
USPC **D29/122**
- (58) **Field of Classification Search**
USPC D29/102-111, 122; 2/9, 410-414,
2/416-425, 209.13, 906, DIG. 1, 8.1-8.2,
2/806, 8.7, 171.3, 427, 429, 10, 206, 173,
2/202, 457, 4; 62/3.5, 259.3; 128/204.15,
128/889, 201.24, 201.15, 857-858, 891;
D24/189, 191, 124; 602/74, 58; D5/58,
D5/47, 1; 604/358, 384, 385.01
CPC A42B 3/00; A42B 3/003; A42B 3/04
See application file for complete search history.

6,848,122	B1	*	2/2005	Meeds	2/422
D611,200	S	*	3/2010	Packard	D29/122
D638,964	S	*	5/2011	Cappuccio	D26/39
D671,263	S	*	11/2012	Weigl, Jr.	D28/41
D674,969	S	*	1/2013	Ratner et al.	D29/102
D674,970	S	*	1/2013	Ratner et al.	D29/102

* cited by examiner

Primary Examiner — Randall Gholson
(74) *Attorney, Agent, or Firm* — Mark E. Scott; Conley Rose, P.C.

(57) **CLAIM**
The ornamental design for a light emitting diode headset, as shown and described.

DESCRIPTION

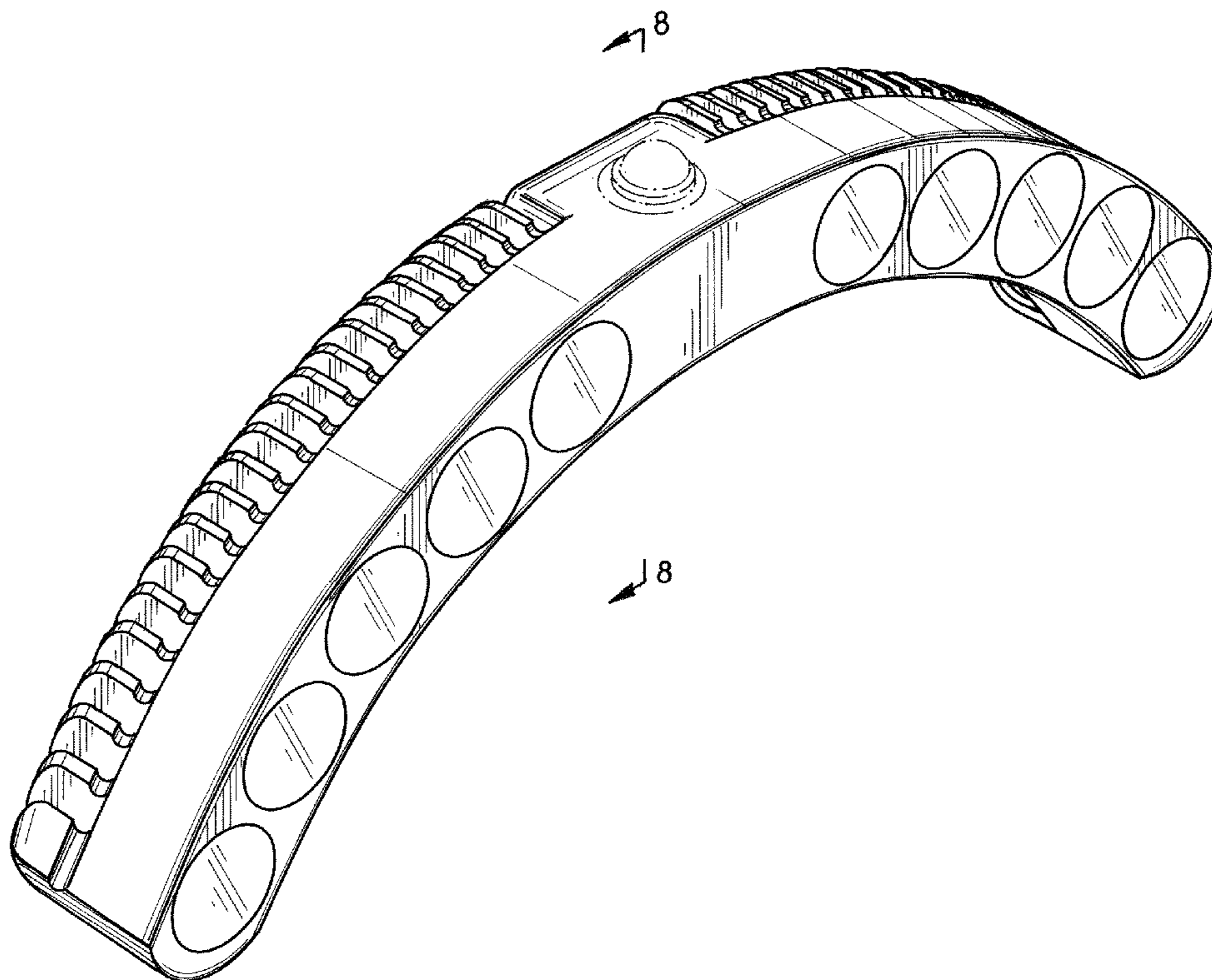
FIG. 1 is a perspective view of the light emitting diode headset;
 FIG. 2 is a front elevation view thereof in an example orientation;
 FIG. 3 is a front elevation view thereof;
 FIG. 4 is a back elevation view thereof;
 FIG. 5 is a top elevation view thereof;
 FIG. 6 is a bottom elevation view thereof;
 FIG. 7 is a right side view thereof; and,
 FIG. 8 is a cross-sectional perspective view taken substantially along lines 8-8 of FIG. 1.
 The portion of the light emitting diode headset depicted in broken lines form no part of the claimed design. The hashed lines on the cross-sectional view of FIG. 8 should not be read to show or claim any internal structure.

(56) **References Cited**

U.S. PATENT DOCUMENTS

6,461,015	B1	*	10/2002	Welch	362/103
D481,831	S	*	11/2003	Yan	D29/103

1 Claim, 6 Drawing Sheets



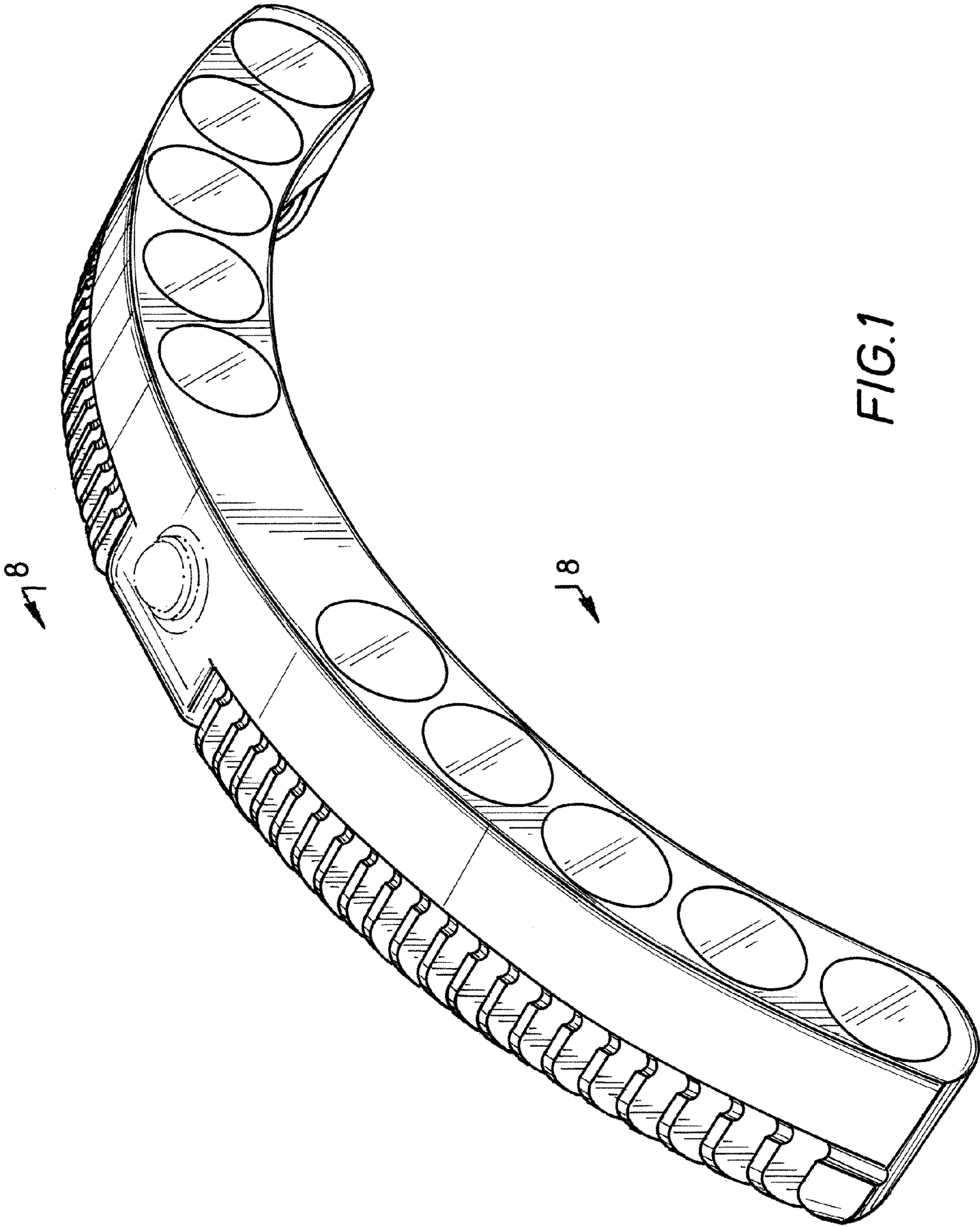


FIG. 1

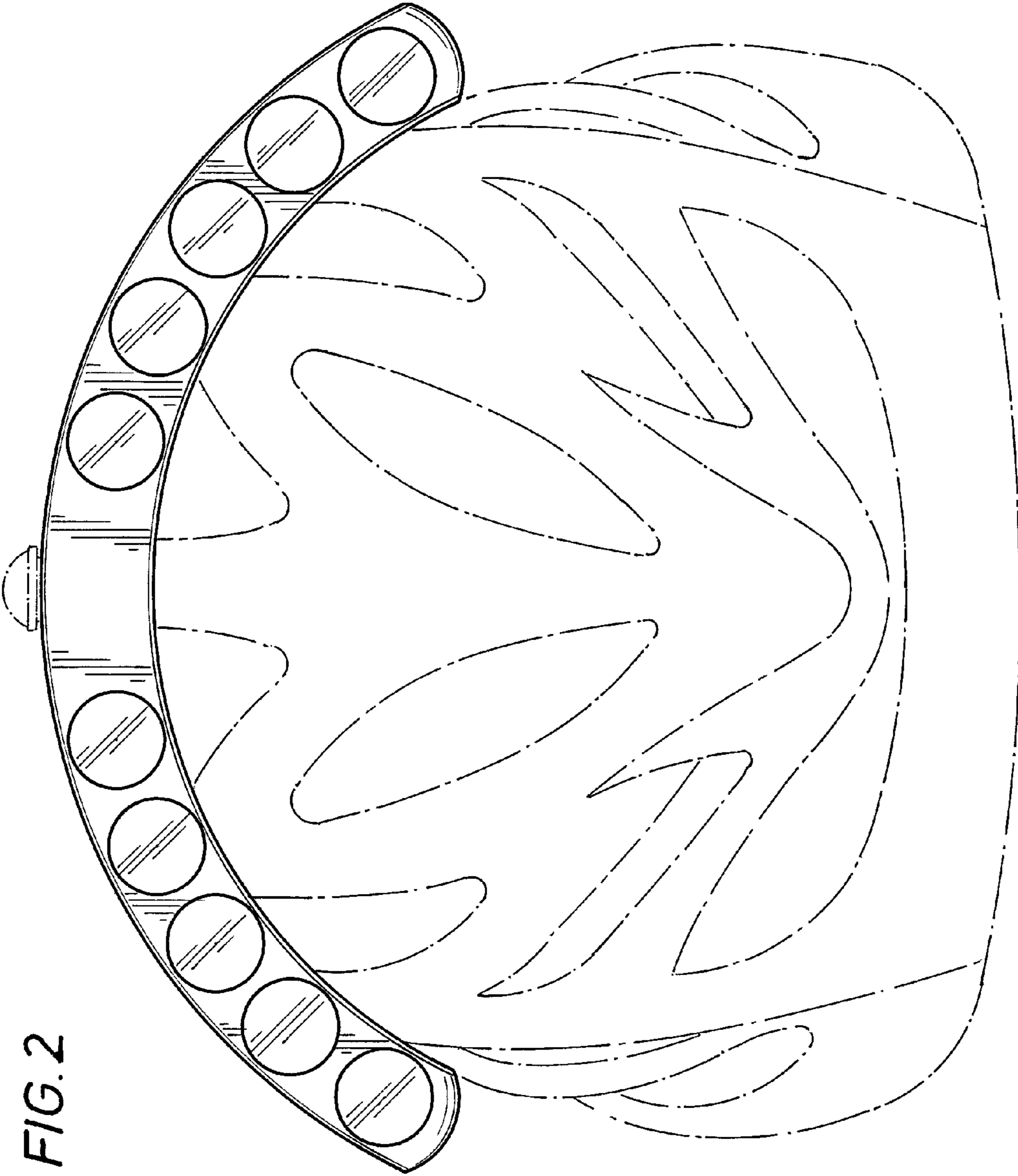


FIG. 2

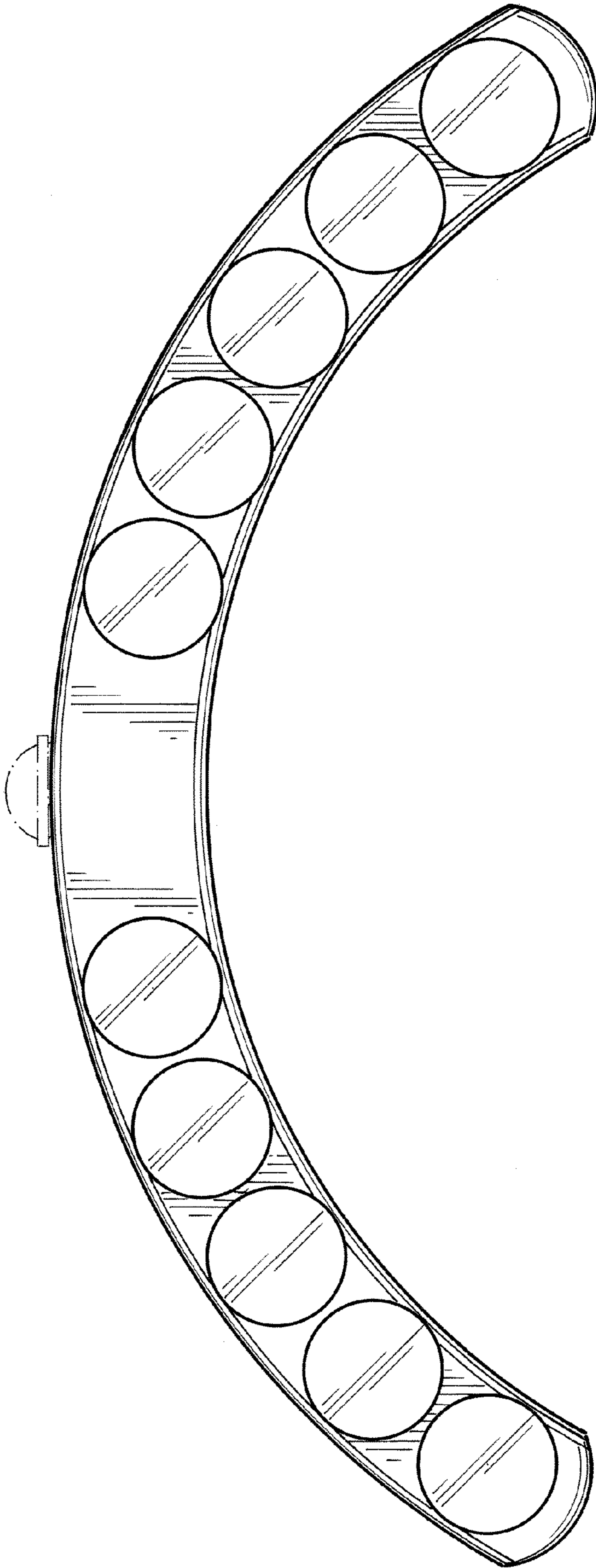


FIG. 3

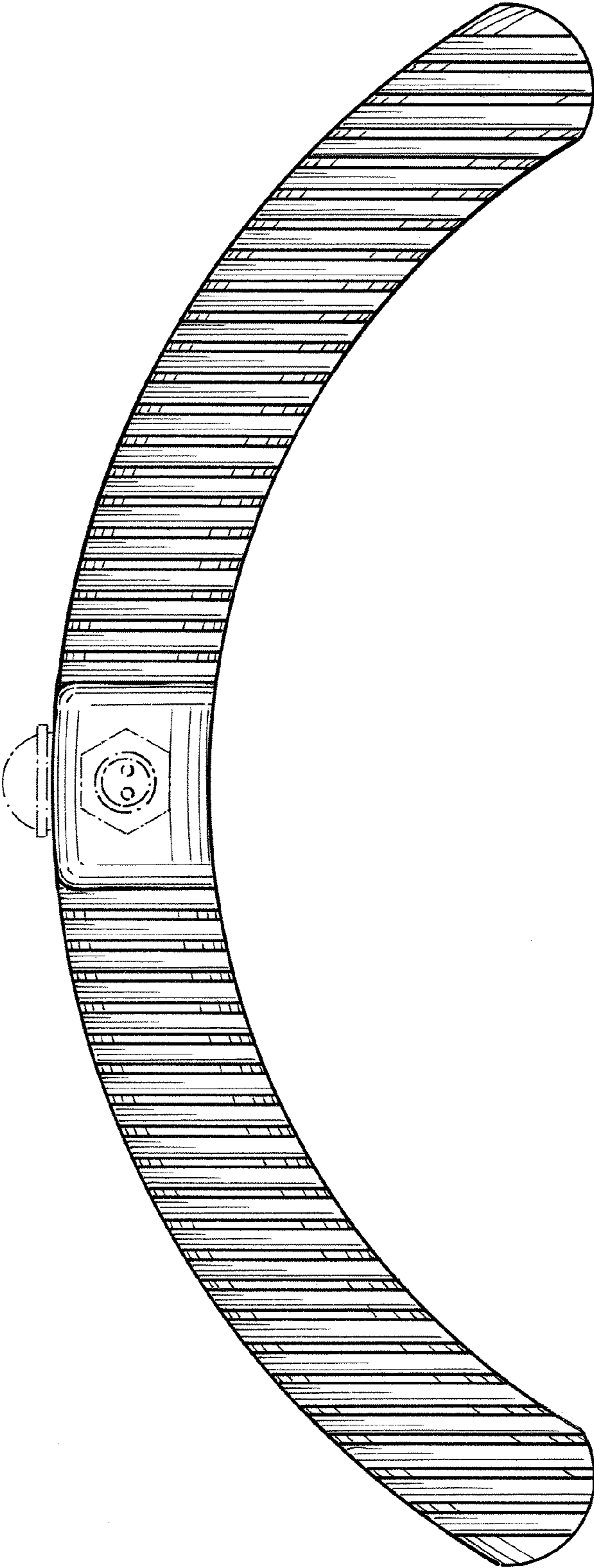


FIG. 4

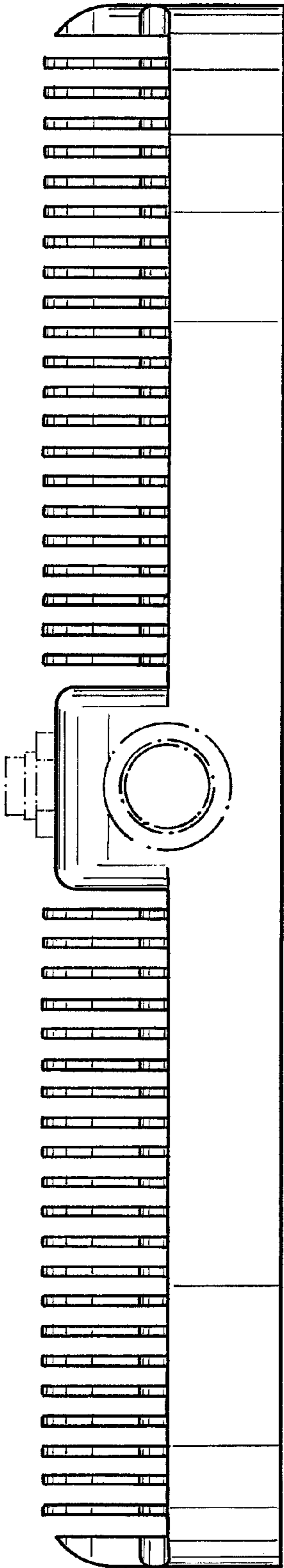


FIG. 5

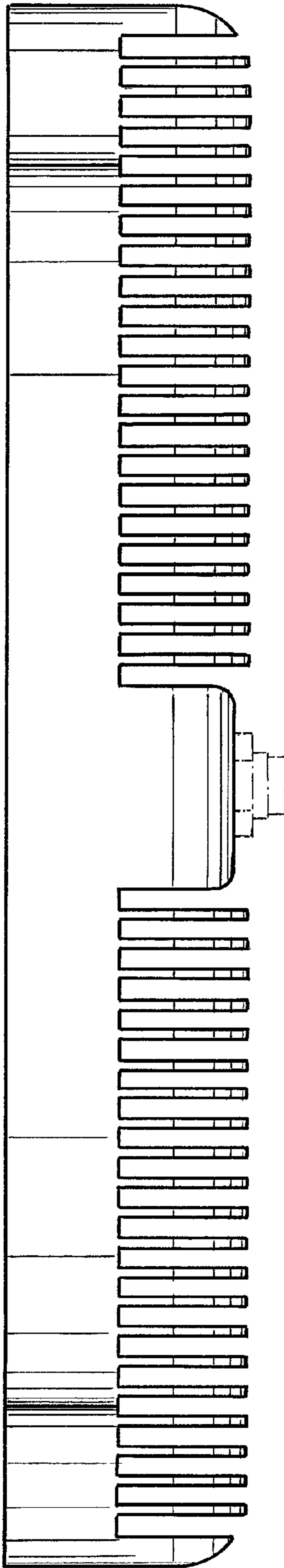


FIG. 6

FIG. 8

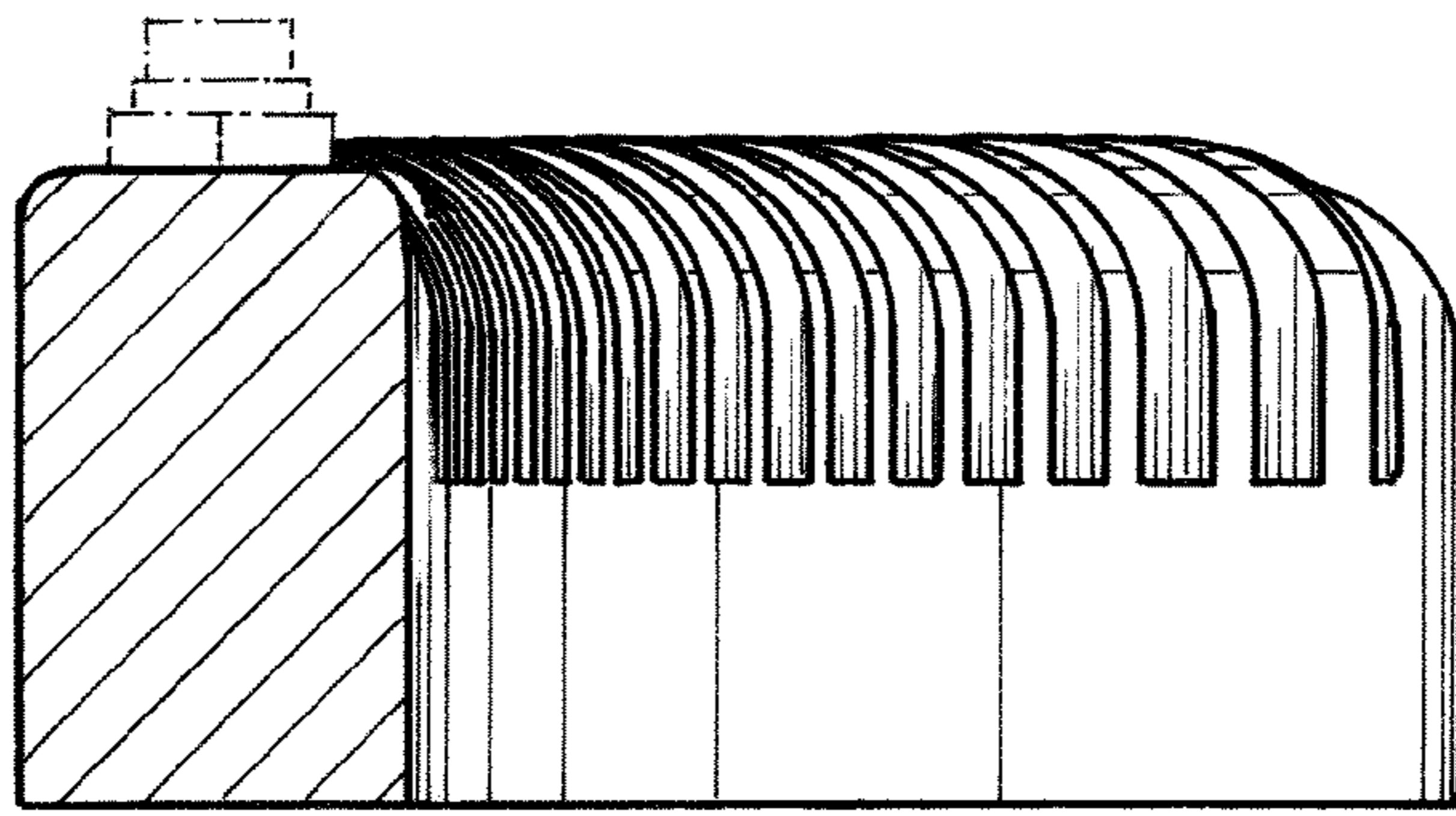


FIG. 7

