



US00D731709S

(12) **United States Design Patent**
Provost et al.

(10) **Patent No.:** **US D731,709 S**
(45) **Date of Patent:** **** Jun. 9, 2015**

(54) **RAZOR**

(71) Applicant: **SHAVELOGIC, INC.**, Dallas, TX (US)

(72) Inventors: **Craig A. Provost**, Providence, RI (US);
John W. Griffin, Moultonborough, NH (US); **William E. Tucker**, Attleboro, MA (US)

(73) Assignee: **SHAVELOGIC, INC.**, Dallas, TX (US)

(**) Term: **14 Years**

(21) Appl. No.: **29/475,974**

(22) Filed: **Dec. 9, 2013**

(51) **LOC (10) Cl.** **28-03**

(52) **U.S. Cl.**
USPC **D28/48**

(58) **Field of Classification Search**
USPC D28/44-48
CPC B26B 21/00-21/12; B26B 21/14;
B26B 21/16; B26B 21/165; B26B 21/18;
B26B 21/185; B26B 21/20-21/227; B26B
21/24; B26B 21/28; B26B 21/30; B26B
21/32; B26B 21/40; B26B 21/4062; B26B
21/4068; B26B 21/4075; B26B 21/52-21/528
See application file for complete search history.

(56) **References Cited**

U.S. PATENT DOCUMENTS

D599,955	S	*	9/2009	Provost	D28/46
2011/0308089	A1	*	12/2011	Bridges	30/77
2012/0233868	A1	*	9/2012	Bridges et al.	30/526
2013/0312272	A1	*	11/2013	Wilson et al.	30/532

* cited by examiner

Primary Examiner — Jennifer Rivard

(74) *Attorney, Agent, or Firm* — Leber Patent Law P.C.

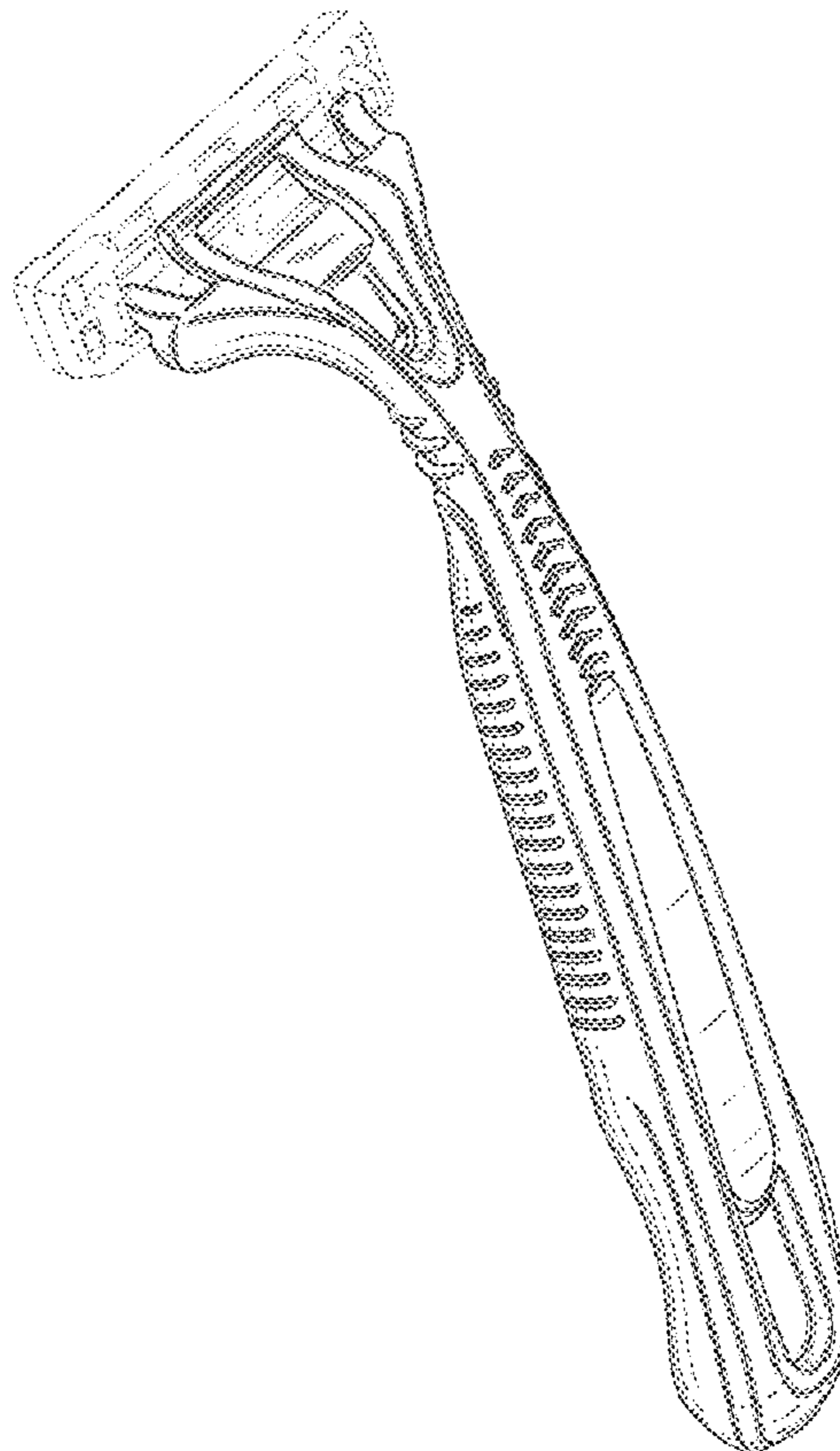
(57) **CLAIM**

What is claimed is the ornamental design for a razor, as shown and described.

DESCRIPTION

FIG. 1 is a top-left-front perspective view of a razor, showing the new design;
FIG. 2 is a bottom plan view thereof;
FIG. 3 is a right-side elevational view thereof (the left-side elevation view is a mirror image thereof);
FIG. 4 is a top plan view thereof;
FIG. 5 is a front elevational view thereof; and,
FIG. 6 is a rear elevational view thereof.
The broken lines illustrate the cartridge and form no part of the claimed design.

1 Claim, 3 Drawing Sheets



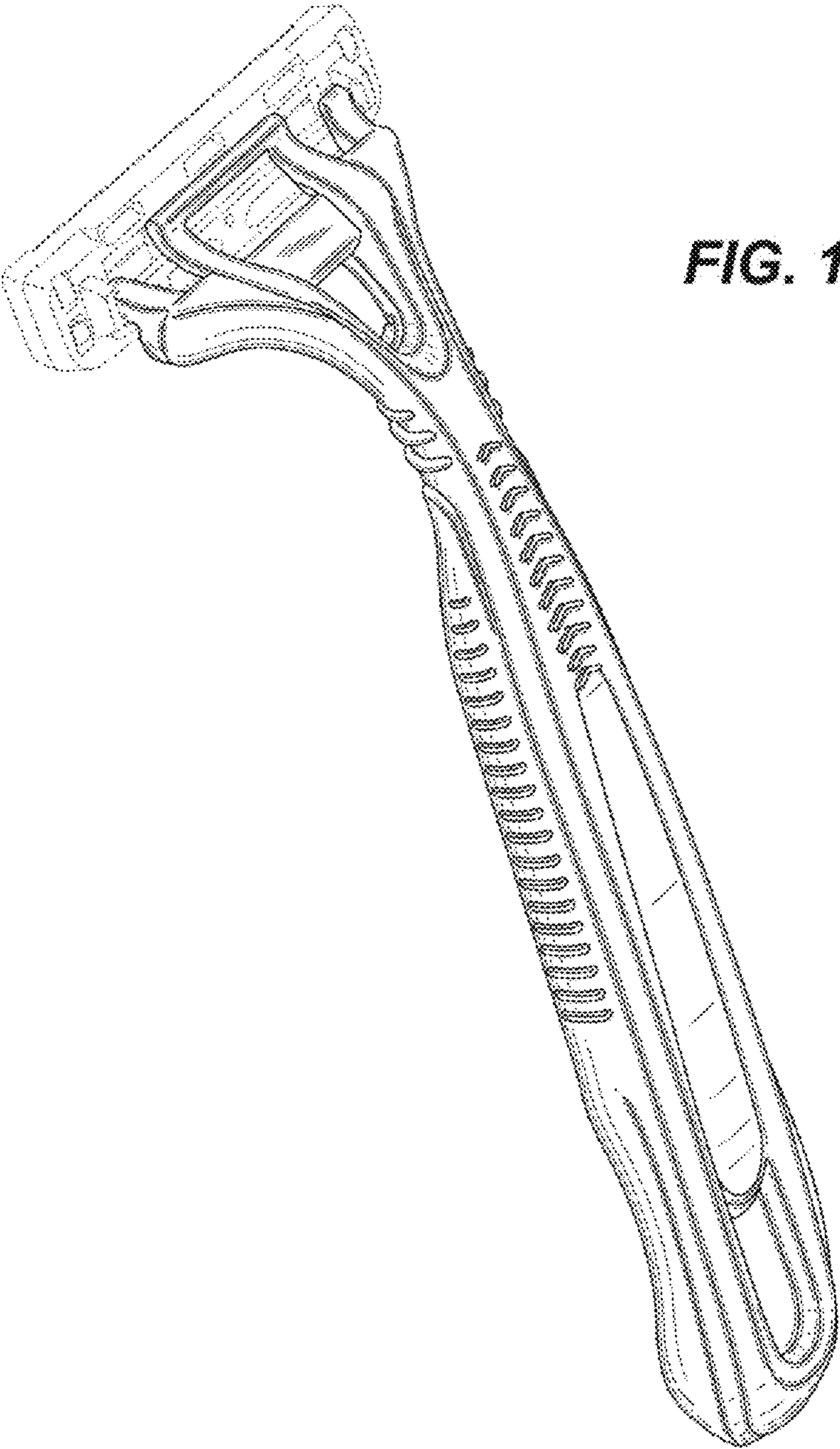


FIG. 1

FIG. 2

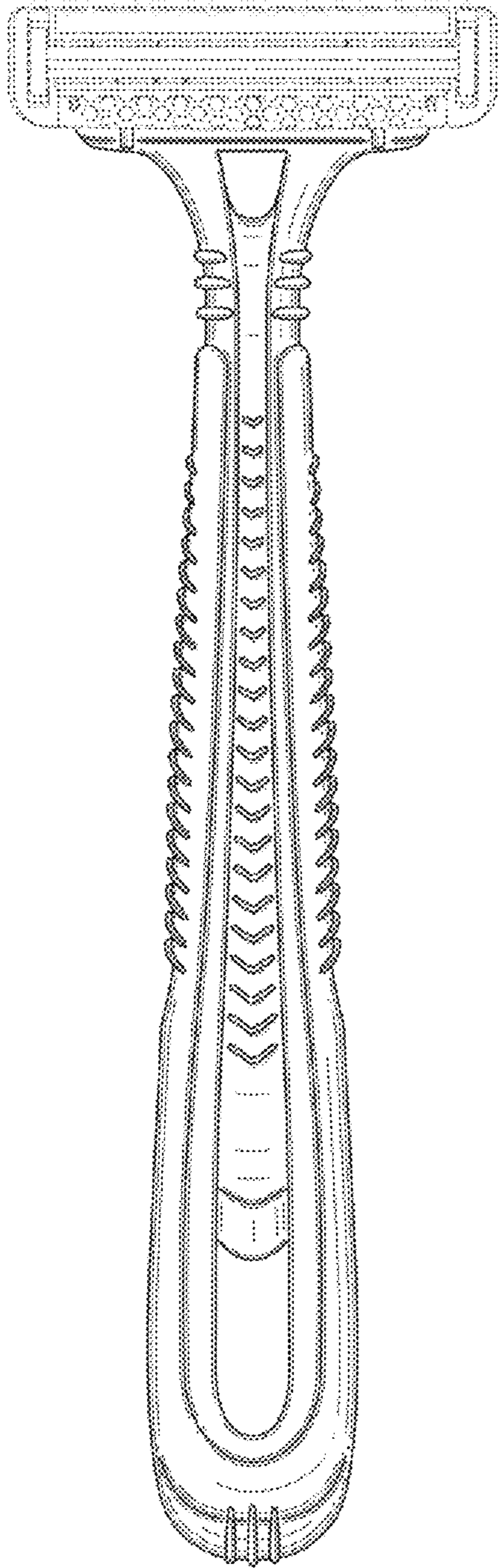


FIG. 3

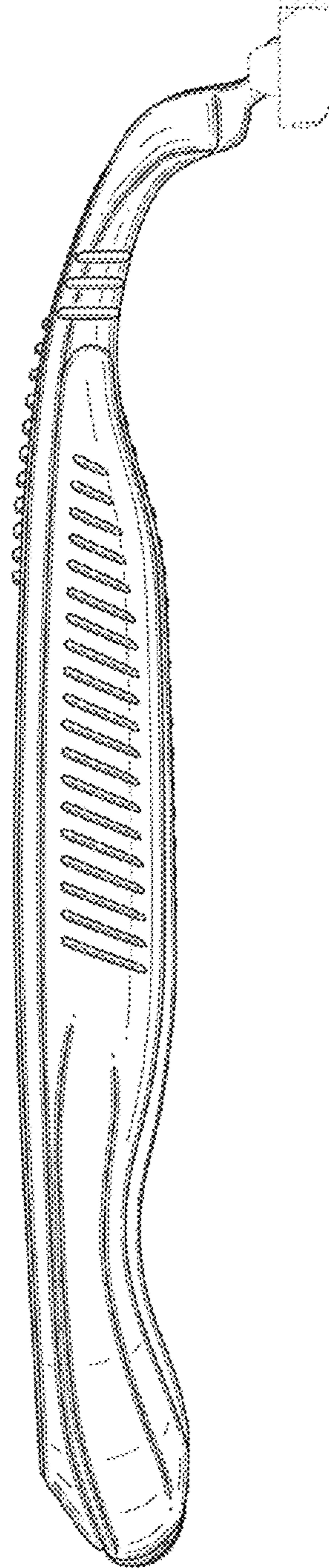


FIG. 4

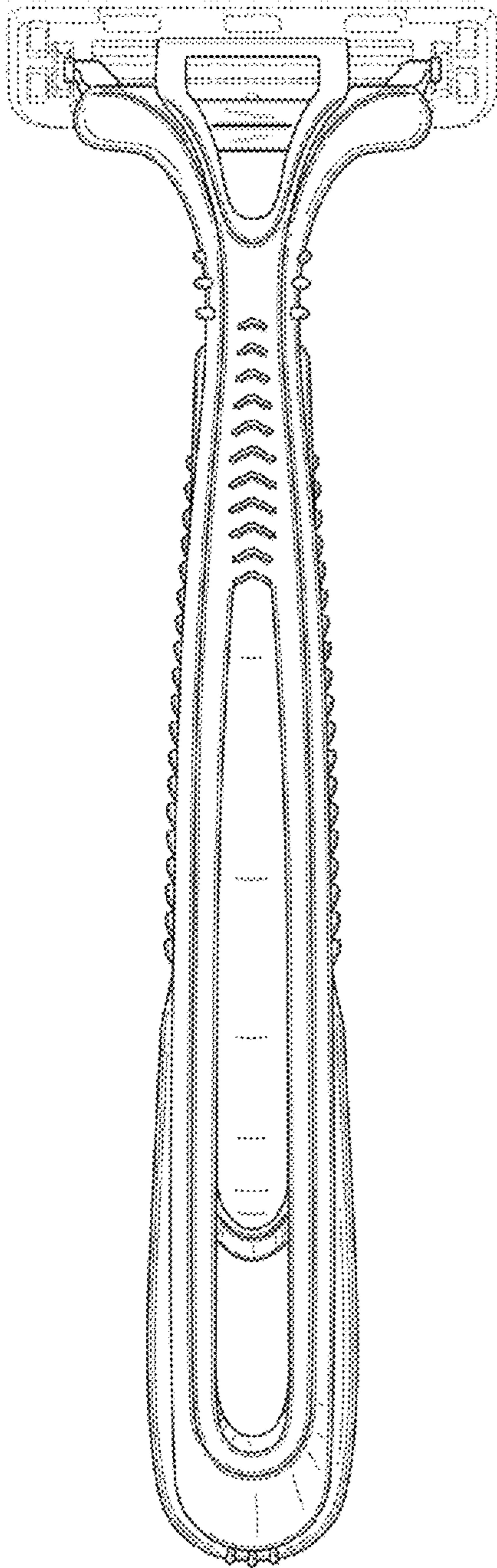


FIG. 5

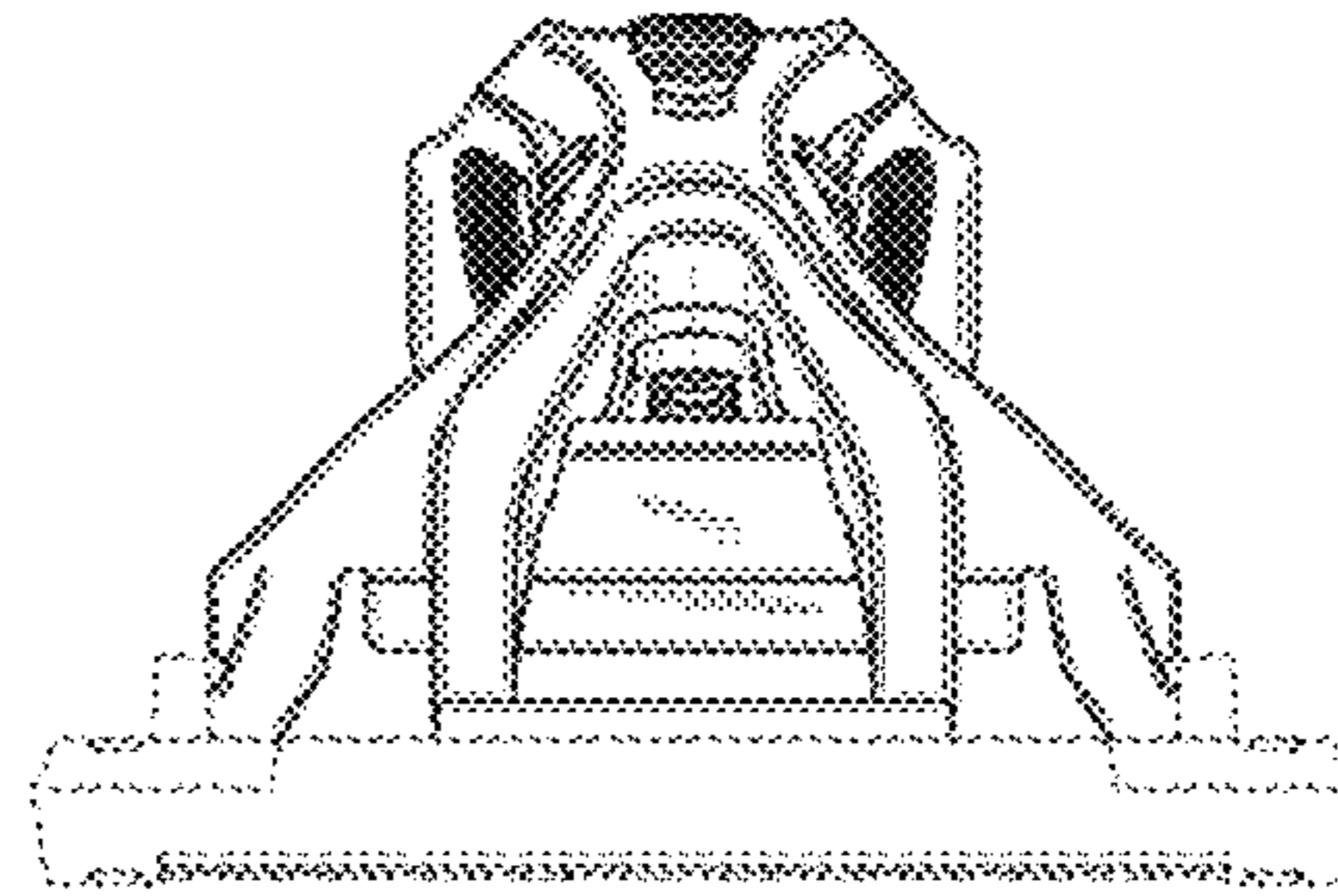


FIG. 6

