

US00D731704S

(12) **United States Design Patent**  
**Klus**

(10) **Patent No.:** **US D731,704 S**  
(45) **Date of Patent:** **\*\* Jun. 9, 2015**

(54) **HOUSING FOR A LED BASED LIGHTING APPARATUS**

(71) Applicant: **Sylwester Klus**, Kamionka (PL)

(72) Inventor: **Sylwester Klus**, Kamionka (PL)

(\*\*) Term: **14 Years**

(21) Appl. No.: **29/502,260**

(22) Filed: **Sep. 12, 2014**

(51) **LOC (10) Cl.** ..... **26-99**

(52) **U.S. Cl.**  
USPC ..... **D26/138**

(58) **Field of Classification Search**  
USPC ..... D26/24, 26, 39, 42, 67, 68, 72, 74, 75,  
D26/79, 85, 88, 89, 91, 96, 108, 109, 113,  
D26/118, 120, 122, 129, 138, 140, 141,  
D26/142; D13/179, 180; D25/60, 119, 122,  
D25/124, 125, 164; 362/23.07, 23.09,  
362/23.16, 145, 217.01, 217.02, 255, 257,  
362/270, 277, 317, 362, 555, 611, 612, 614,  
362/800; 174/68.3, 101  
CPC ..... F21S 4/00; F21S 4/003; F21S 4/006;  
F21S 4/007; F21S 4/008; F21S 6/004; F21S  
6/005; F21S 9/037; F21K 9/54; F21V 15/01;  
F21V 15/013  
See application file for complete search history.

(56) **References Cited**

**U.S. PATENT DOCUMENTS**

2,292,395	A *	8/1942	O'Brien	174/101
4,323,836	A *	4/1982	Rice	174/503
D289,633	S *	5/1987	Bramwell	D25/122
D293,098	S *	12/1987	Layton	D25/122

D424,213	S *	5/2000	Chaney et al.	D25/122
D443,198	S *	6/2001	Snyder	D25/164
D503,484	S *	3/2005	Deleu	D25/122
D541,953	S *	5/2007	Deleu	D25/122
7,344,163	B2 *	3/2008	Thompson	174/68.3
D611,169	S *	3/2010	Harder	D25/122
D616,567	S *	5/2010	Desrosiers et al.	D25/122
D621,091	S *	8/2010	Klu	D26/138
D623,342	S *	9/2010	Klu	D26/138
D649,682	S *	11/2011	Trzesniowski	D26/138
8,330,042	B2 *	12/2012	Owens et al.	174/68.3
D695,955	S *	12/2013	Klus	D26/138
D696,814	S *	12/2013	Matus, Jr.	D26/138
D705,984	S *	5/2014	Klus	D26/138
2009/0310354	A1 *	12/2009	Zampini et al.	362/362

\* cited by examiner

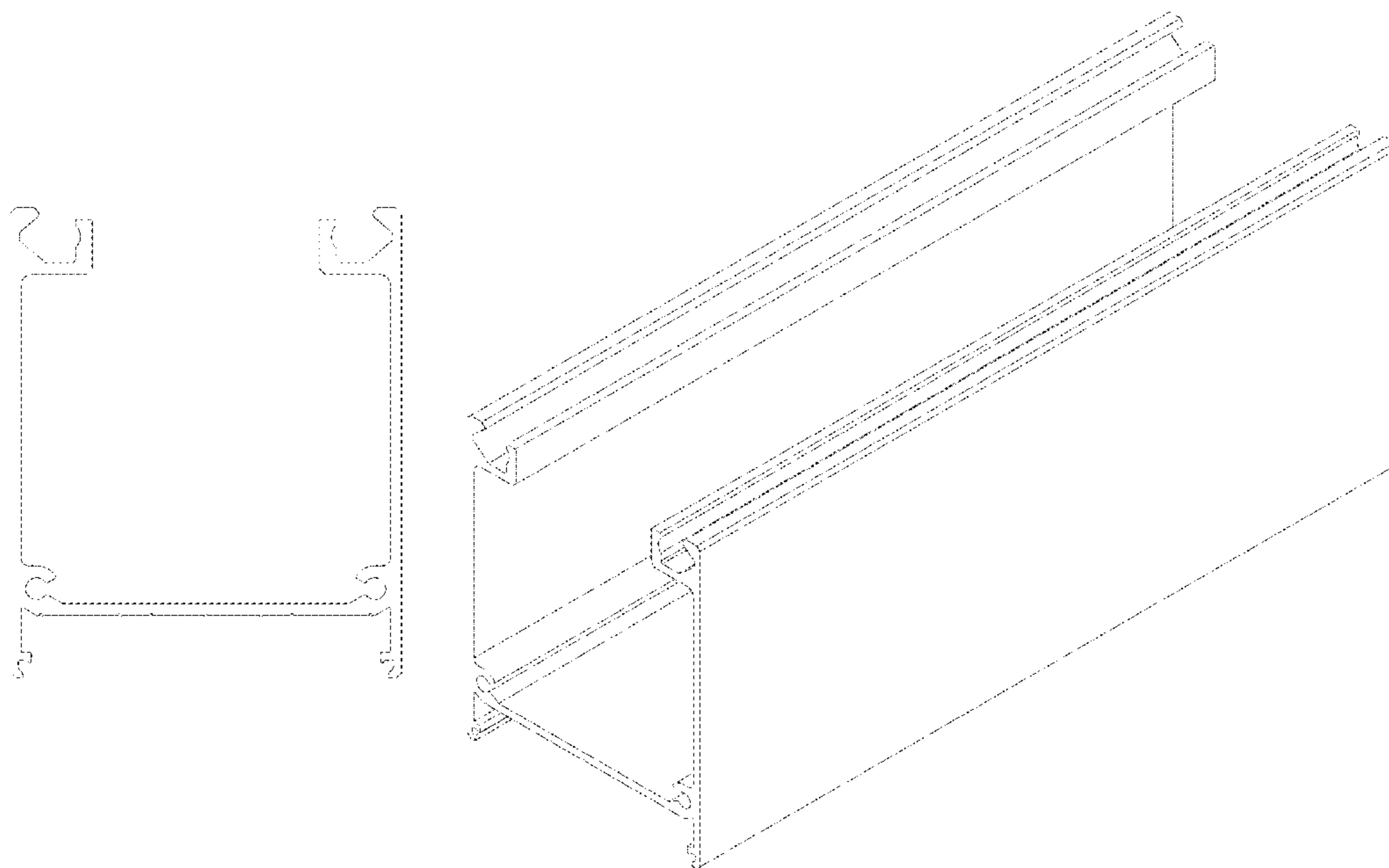
*Primary Examiner* — Caron D Veynar  
*Assistant Examiner* — Natasha Vujcic  
(74) *Attorney, Agent, or Firm* — Mark Terry

(57) **CLAIM**  
The ornamental design for housing for a LED based lighting apparatus, as shown and described.

**DESCRIPTION**

FIG. 1 is a front view of a housing for a LED based lighting apparatus, showing the new design;  
FIG. 2 is a side view thereof;  
FIG. 3 is a top view thereof;  
FIG. 4 is a bottom view thereof;  
FIG. 5 is a top perspective view thereof; and,  
FIG. 6 is a bottom perspective view thereof.  
The broken lines in the drawings illustrate portions of the housing for a LED based lighting apparatus which form no part of the claimed design.

**1 Claim, 6 Drawing Sheets**



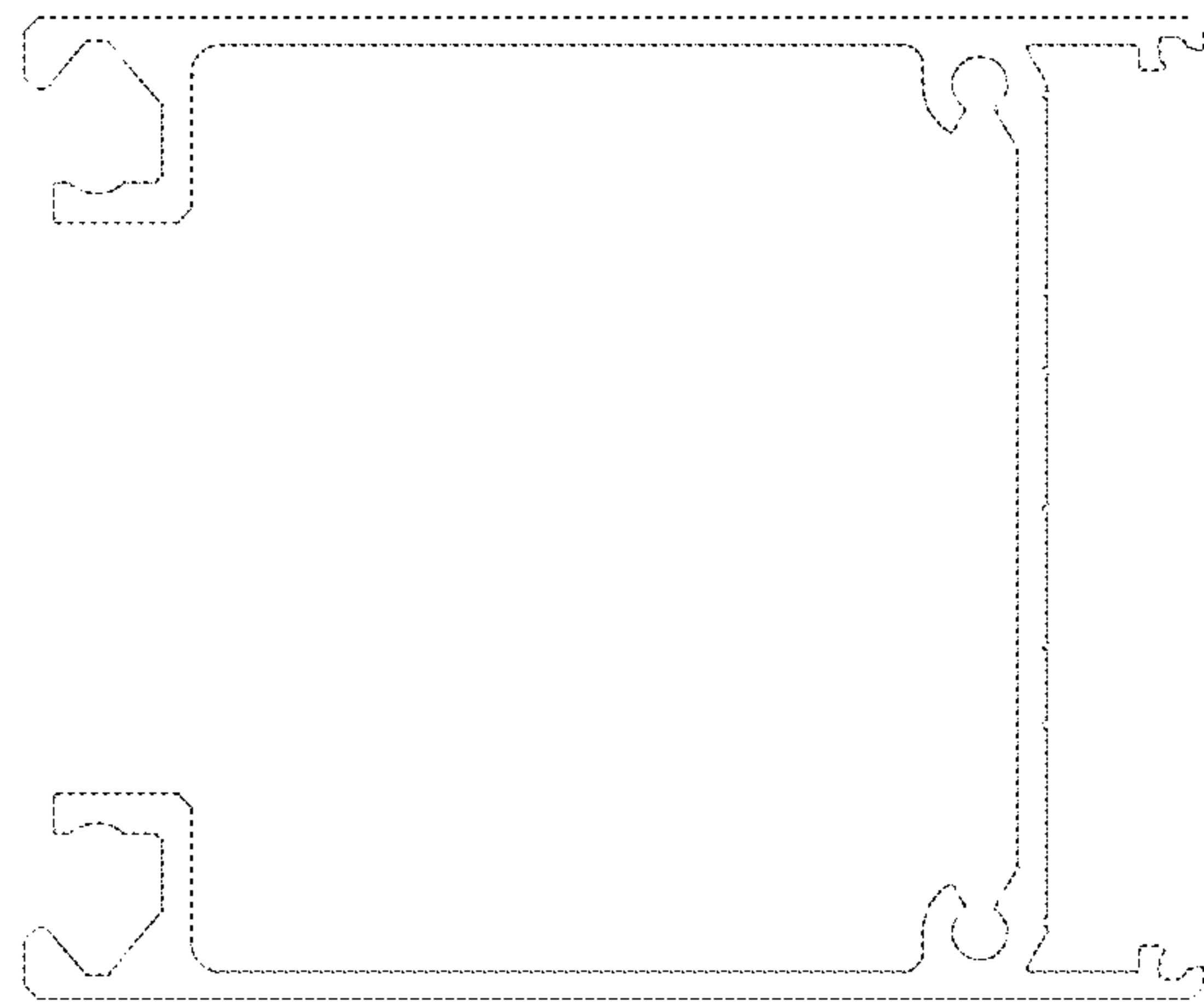
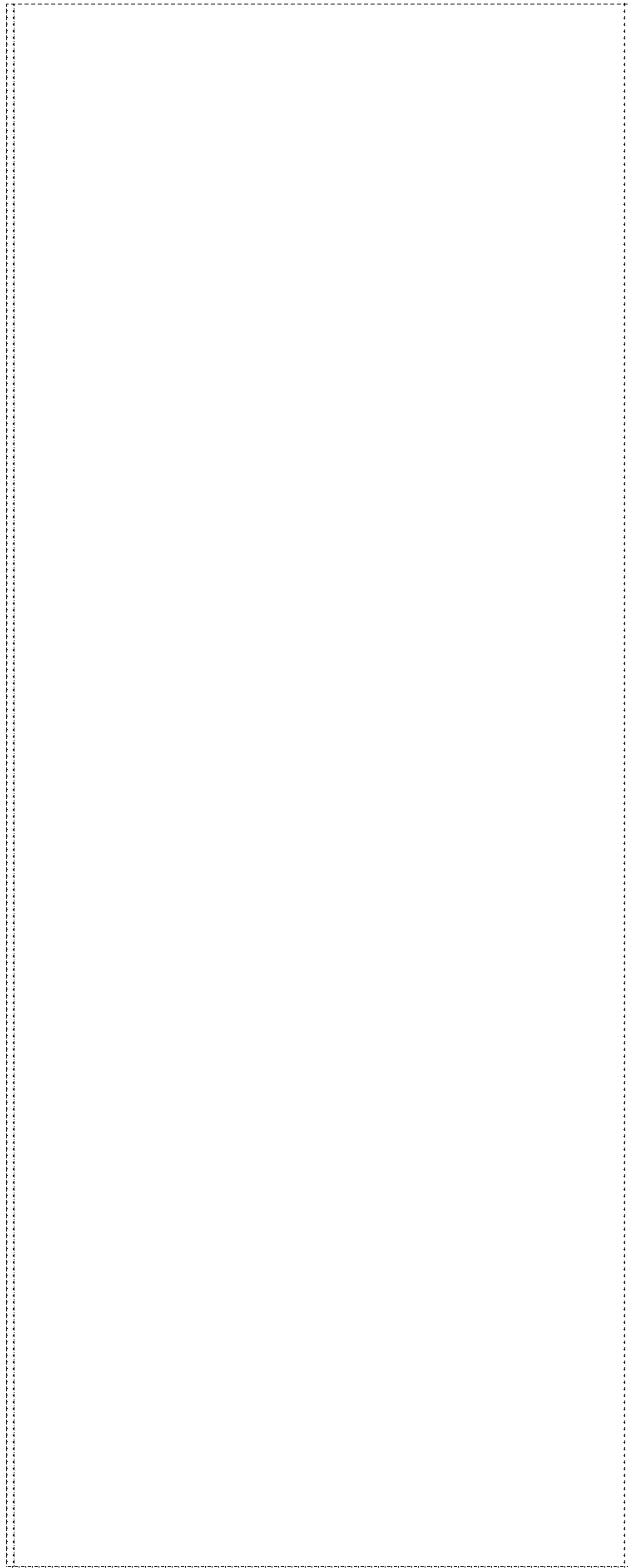


FIG. 1



**FIG.2**

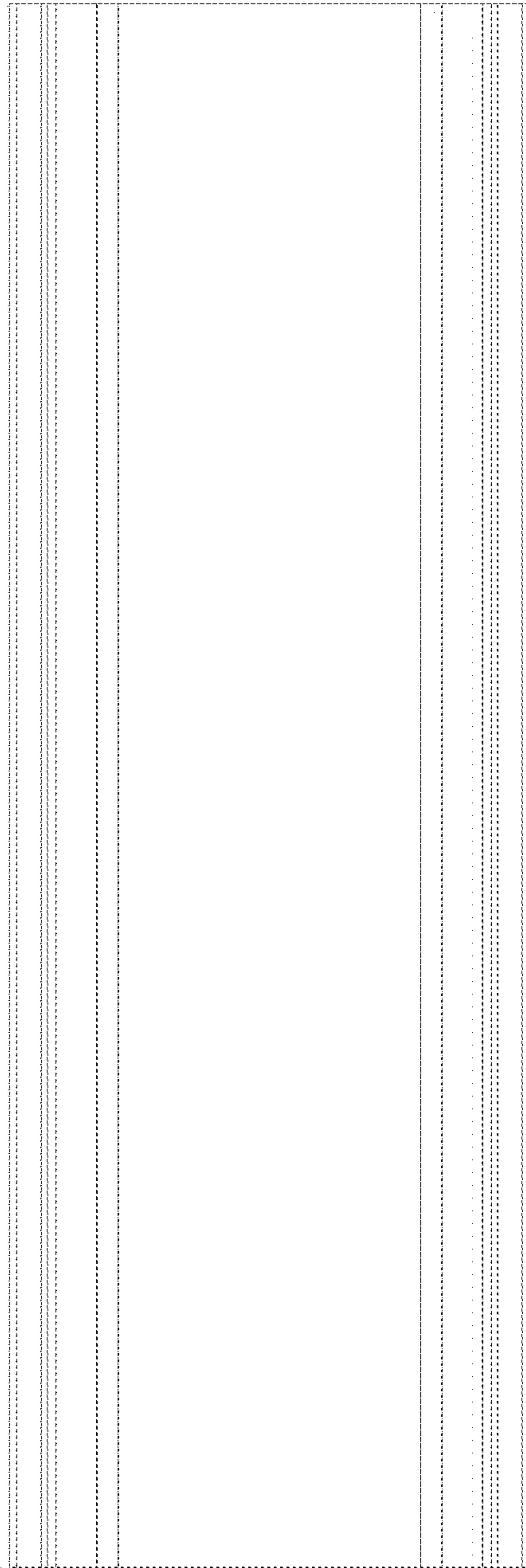


FIG.3

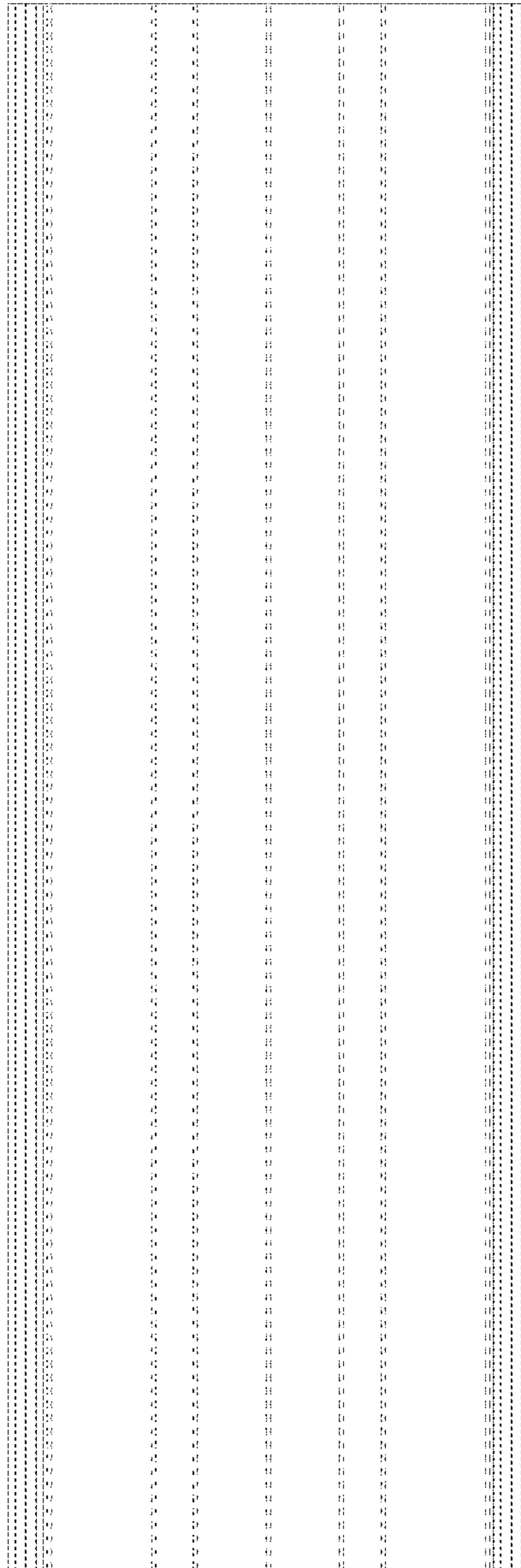


FIG.4

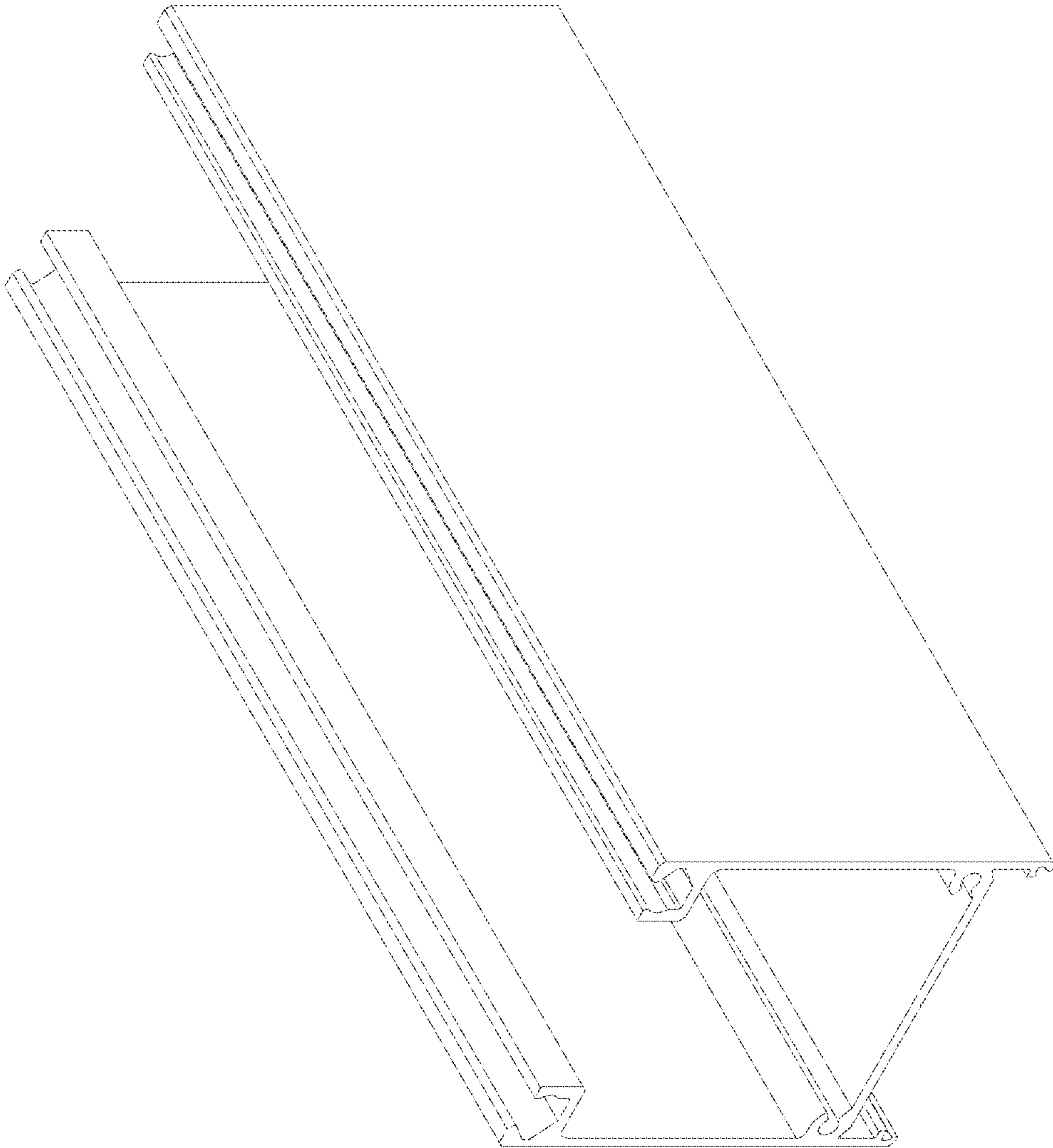


FIG.5



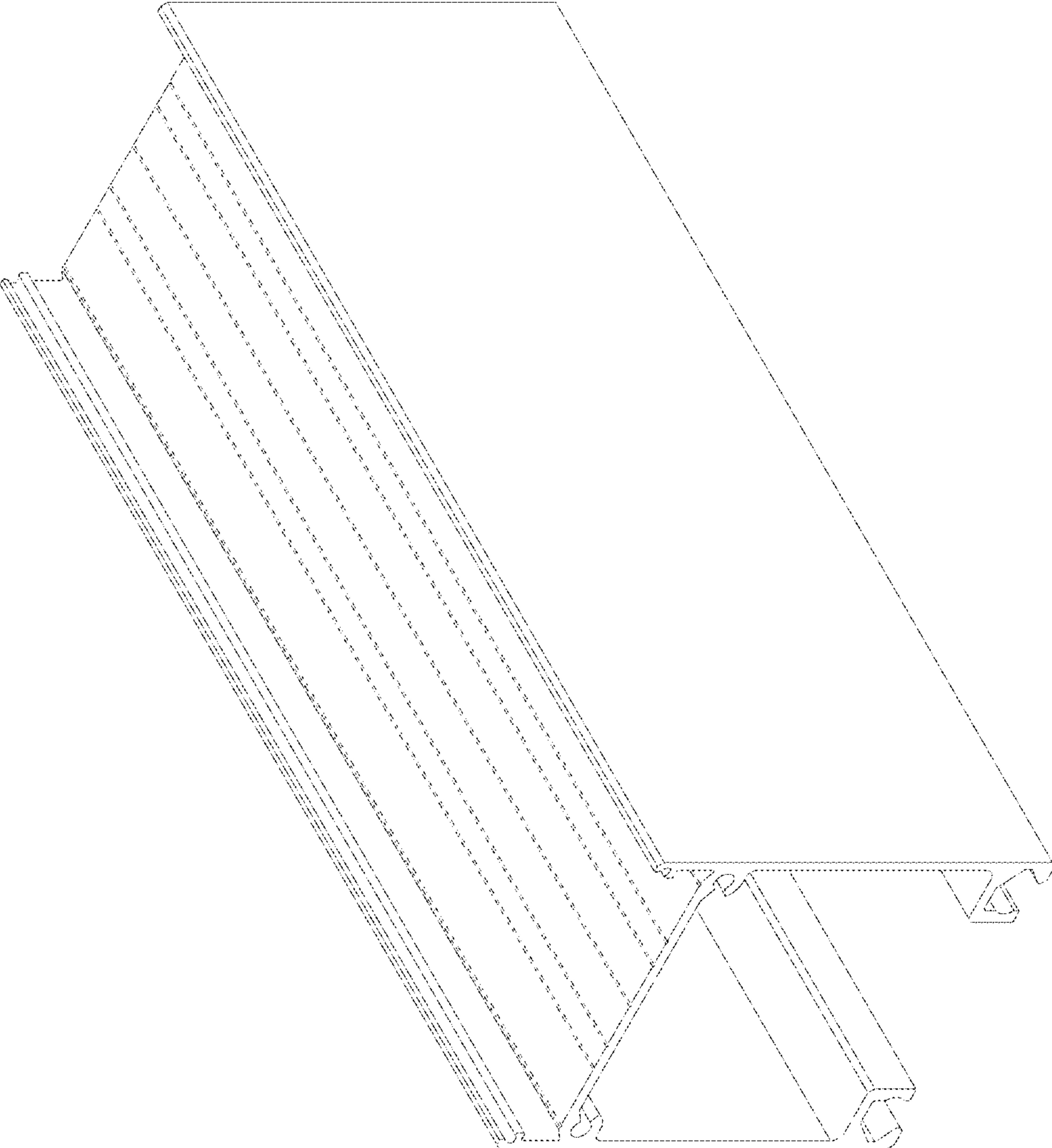


FIG.6