

US00D731701S

(12) **United States Design Patent**
Hargreaves

(10) **Patent No.:** **US D731,701 S**
(45) **Date of Patent:** **** Jun. 9, 2015**

- (54) **HORTICULTURE GROW LIGHT HOUSING**
- (71) Applicant: **IP Holdings, LLC**, Vancouver, WA (US)
- (72) Inventor: **Craig Hargreaves**, Vancouver, WA (US)
- (73) Assignee: **IP Holdings, LLC**, Vancouver, WA (US)
- (**) Term: **14 Years**
- (21) Appl. No.: **29/482,993**
- (22) Filed: **Feb. 24, 2014**
- (51) **LOC (10) Cl.** **26-99**
- (52) **U.S. Cl.**
USPC **D26/118**
- (58) **Field of Classification Search**
USPC D26/9, 10, 12, 13, 15, 16, 51, 61, 72,
D26/76, 80, 81, 85, 86, 88, 90, 113, 118,
D26/119, 120, 122, 128, 129, 138, 143, 144
See application file for complete search history.

D634,469 S * 3/2011 Hargreaves D26/118
D637,341 S * 5/2011 Wardenburg D26/118
D637,752 S * 5/2011 Mekhtarian D26/72

(Continued)

OTHER PUBLICATIONS

Apollo Horticulture GLRCTAC 6" Air Cool Tube Grow Light Deluxe Glass Cylinder with Hood Reflector, image post date Oct. 15, 2010, site visited Oct. 3, 2014, (online), <http://www.amazon.com/Apollo-Horticulture-GLRCTAC-Cylinder-Reflector/dp/B003QKVV04/ref=pd_sbs_lg_5?ie=UTF8&refRID=1Y9V9QHH4N5VNCTJMFTR>.*

Primary Examiner — Kevin Rudzinski
Assistant Examiner — Sean D Lough
(74) *Attorney, Agent, or Firm* — J. Douglas Wells

(57) **CLAIM**
The ornamental design for a horticulture grow light housing, as shown and described.

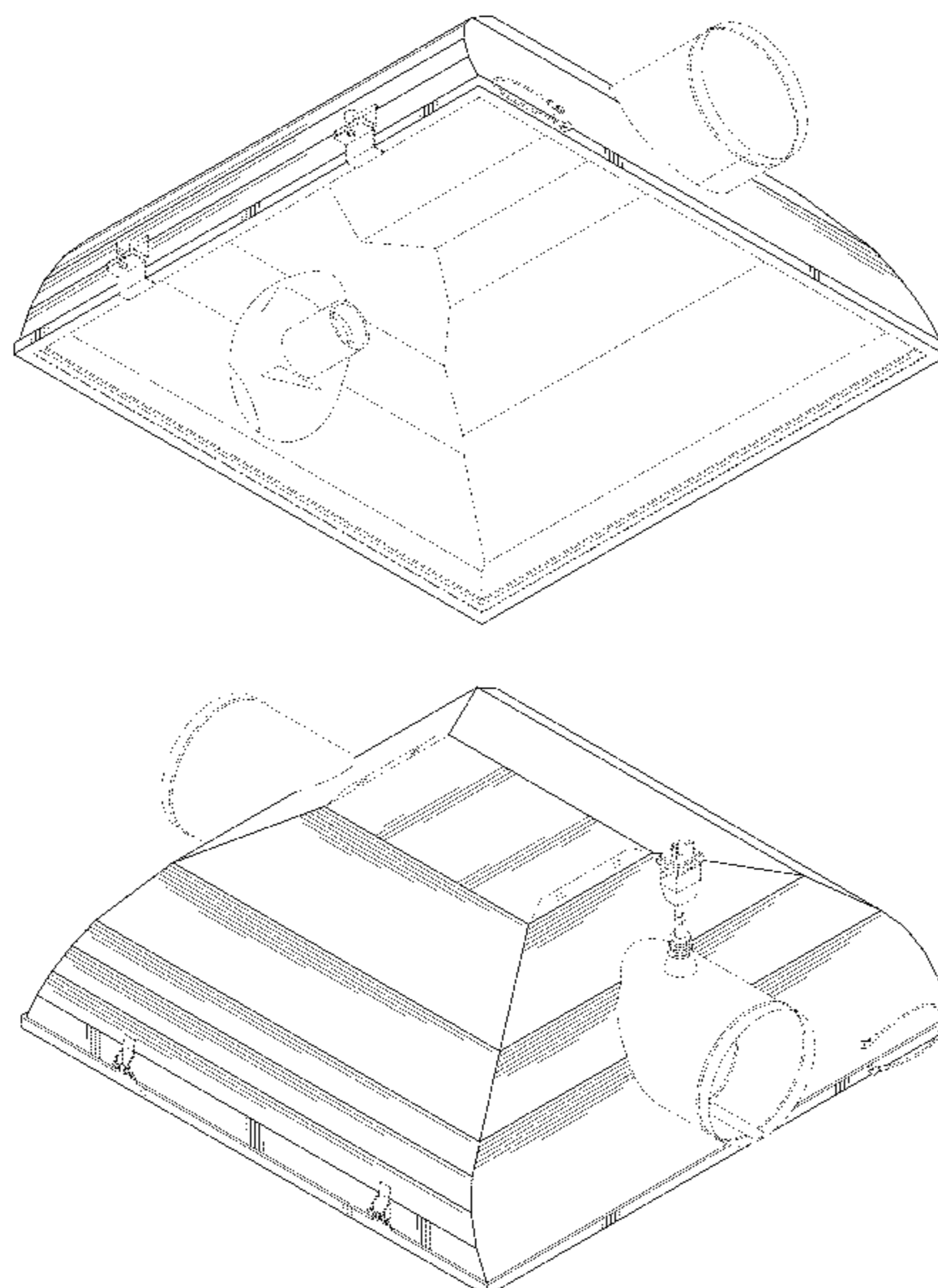
DESCRIPTION

FIG. 1 is a perspective view of the horticulture grow light housing, as viewed from below, showing my new design; FIG. 2 is a perspective view of the housing shown in FIG. 1, as viewed from above; FIG. 3 is a left side view of the housing shown in FIG. 1; FIG. 4 is a right side view of the housing shown in FIG. 1; FIG. 5 is a front elevation view of the housing shown in FIG. 1; FIG. 6 is a rear elevation view of the housing shown in FIG. 1; FIG. 7 is a top plan view of the housing shown in FIG. 1; and, FIG. 8 is a bottom plan view of the housing shown in FIG. 1. The broken-line disclosure shown in the views is understood to represent portions of the article in which the claimed design is embodied, but which form no part of the claimed design.

(56) **References Cited**
U.S. PATENT DOCUMENTS

D456,938	S *	5/2002	Wardenburg	D26/118
6,527,422	B1 *	3/2003	Hutchison	362/373
6,595,662	B2 *	7/2003	Wardenburg	362/362
D542,460	S *	5/2007	Hargreaves	D26/118
D543,652	S *	5/2007	Hargreaves	D26/76
D544,987	S *	6/2007	Hargreaves	D26/88
D544,994	S *	6/2007	Hargreaves	D26/118
D544,995	S *	6/2007	Hargreaves	D26/118
D545,484	S *	6/2007	Hargreaves	D26/118
D545,485	S *	6/2007	Hargreaves	D26/118
7,524,090	B2 *	4/2009	Hargreaves	362/294
7,641,367	B2 *	1/2010	Hargreaves et al.	362/375
7,722,228	B2 *	5/2010	Broer	362/373
D634,060	S *	3/2011	Wardenburg	D26/118
D634,468	S *	3/2011	Hargreaves	D26/118

1 Claim, 6 Drawing Sheets



US D731,701 S

Page 2

(56)

References Cited

U.S. PATENT DOCUMENTS

8,209,912 B2 * 7/2012 Hargreaves et al. 52/28
D678,599 S * 3/2013 Boyer et al. D26/128
D693,959 S * 11/2013 Boyer et al. D26/118

D698,986 S * 2/2014 Reynolds D26/118
D698,987 S * 2/2014 Stanley D26/118
2008/0205030 A1 * 8/2008 Hargreaves 362/1
2008/0205071 A1 * 8/2008 Townsley 362/373
2009/0262540 A1 * 10/2009 Hargreaves et al. 362/362

* cited by examiner

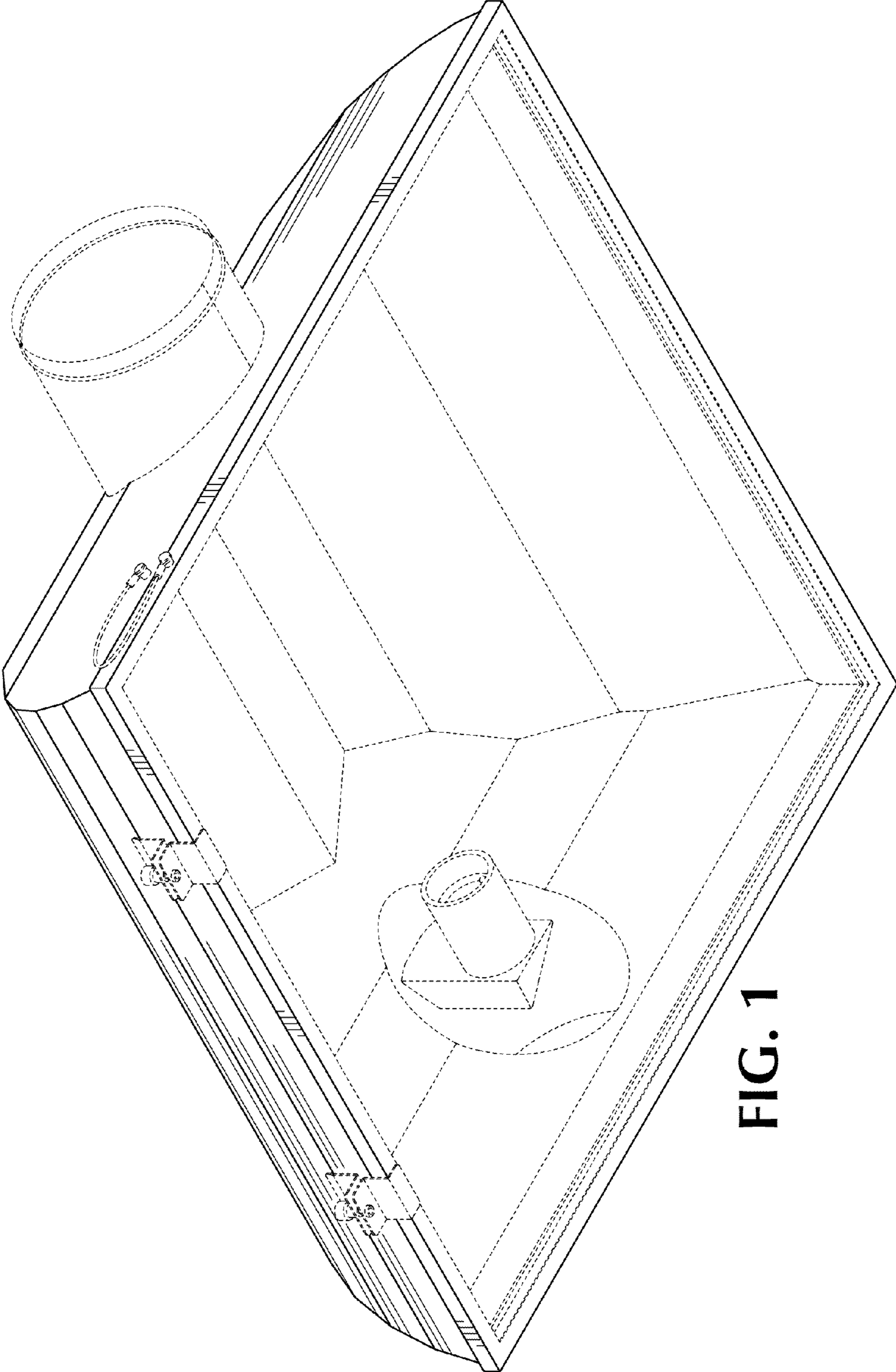


FIG. 1

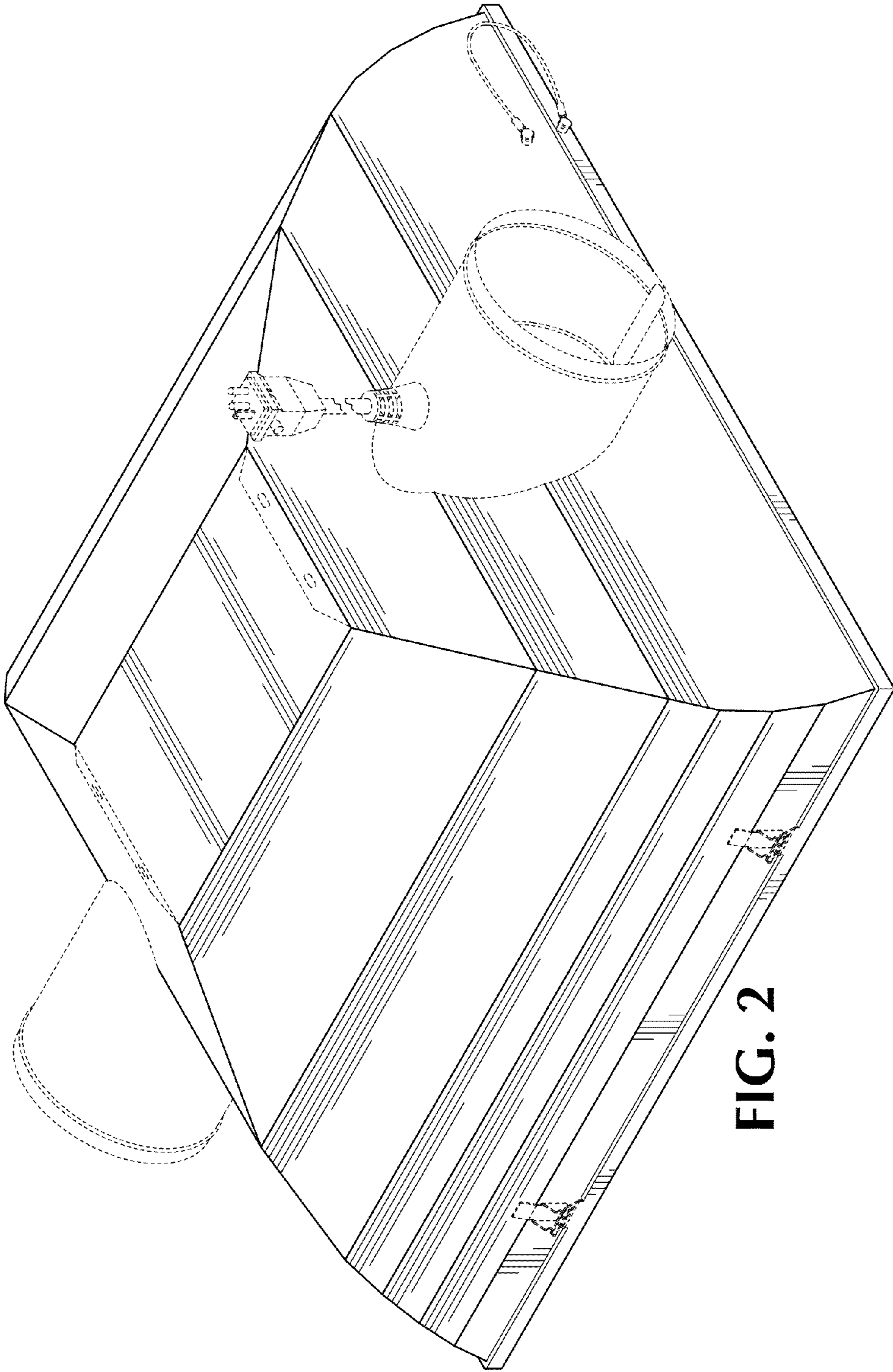


FIG. 2

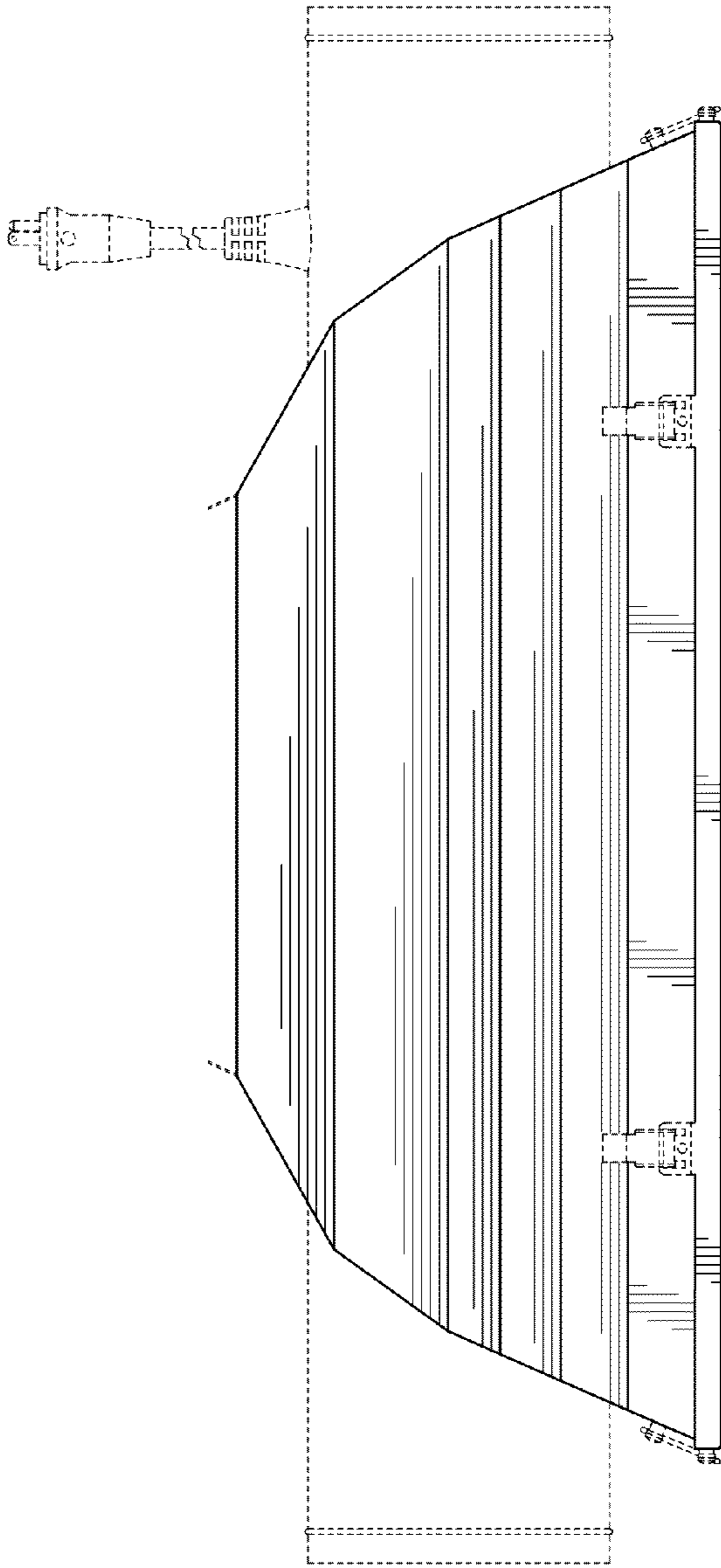


FIG. 3

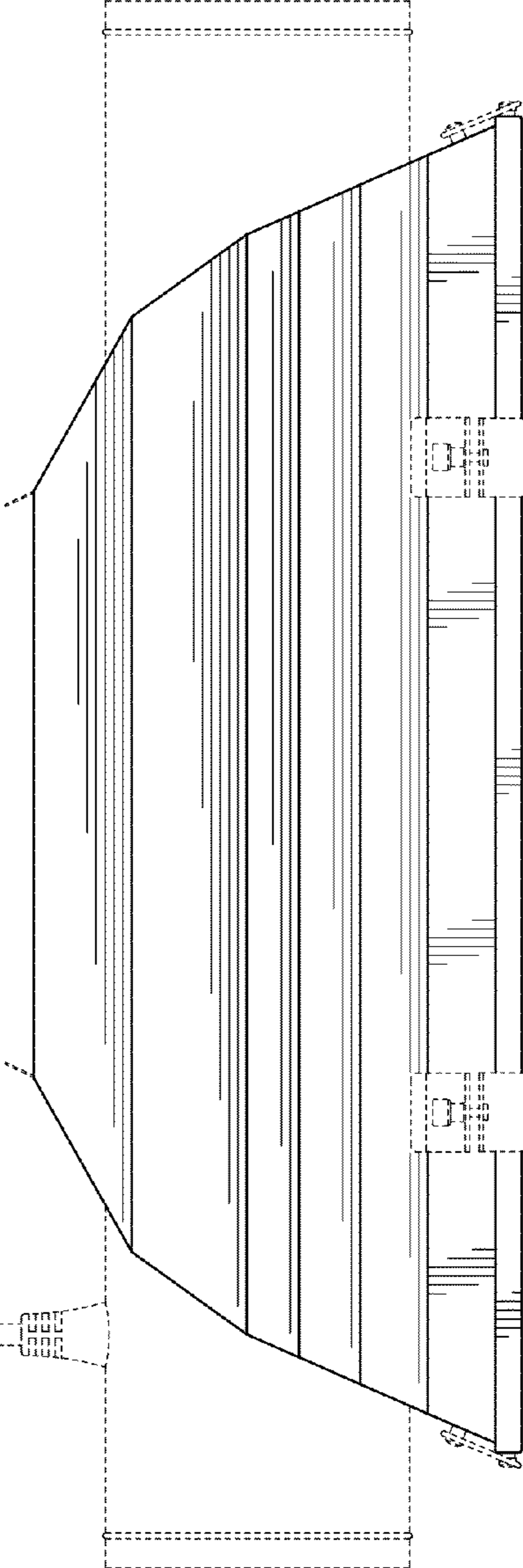


FIG. 4

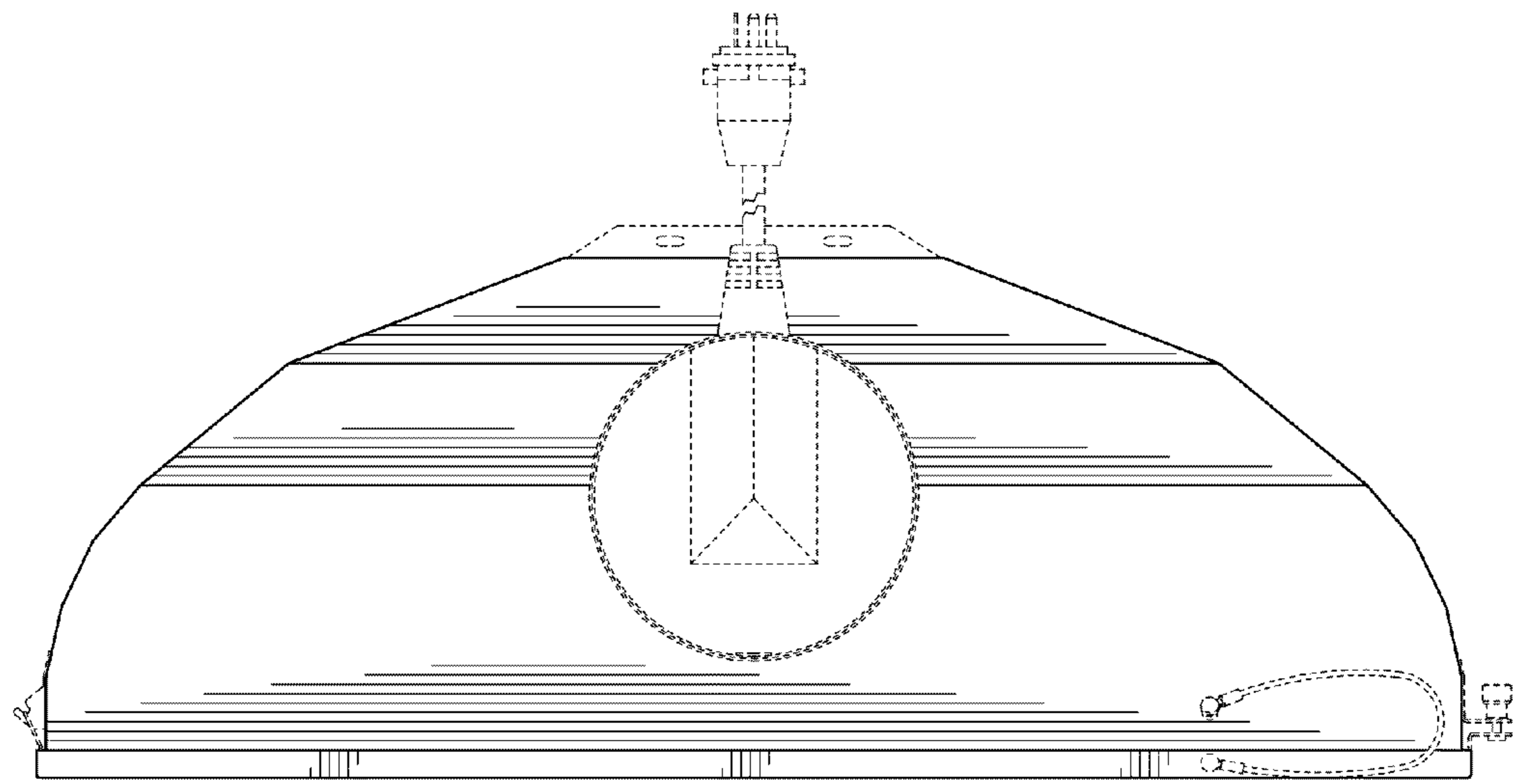


FIG. 5

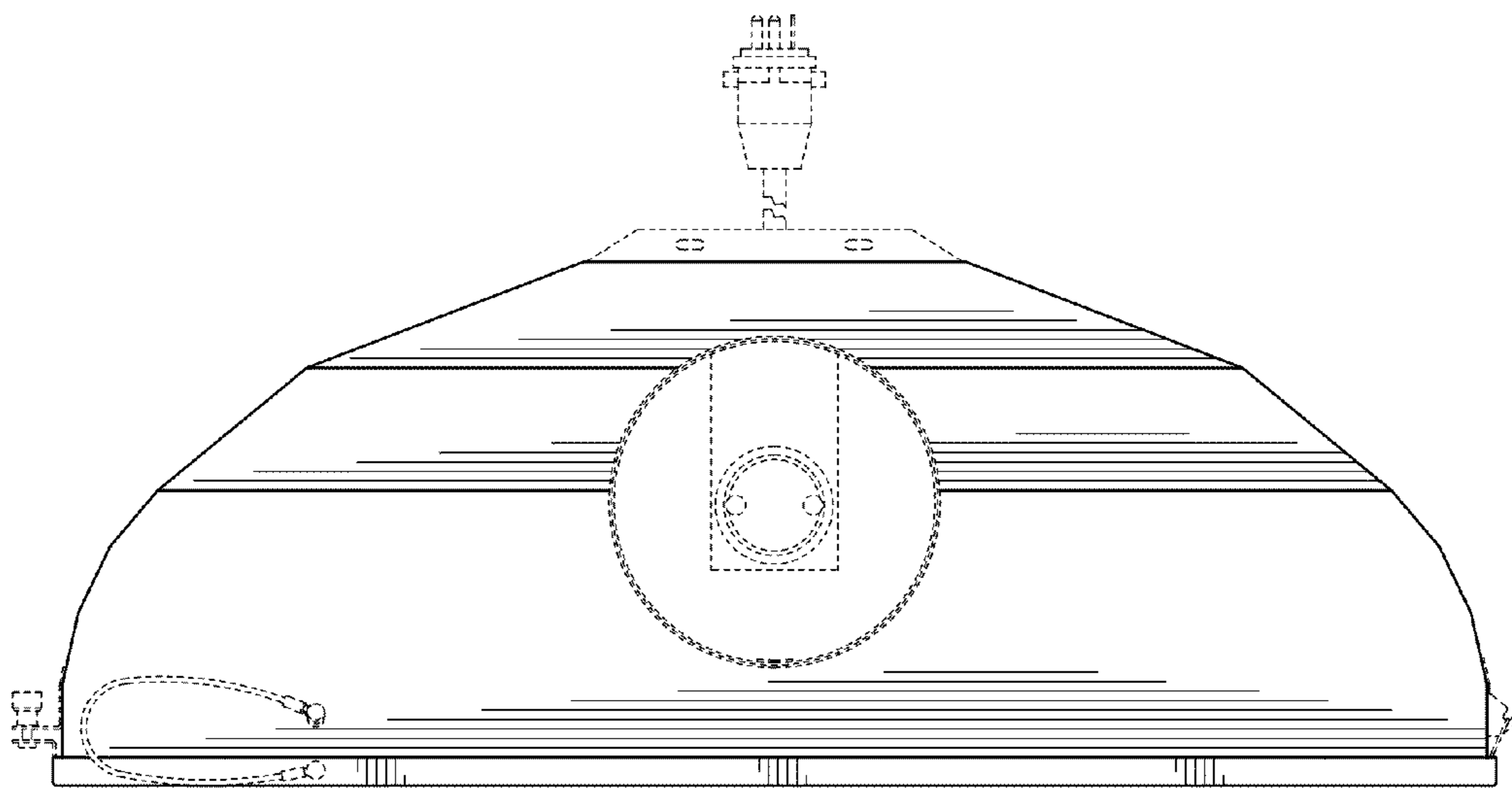
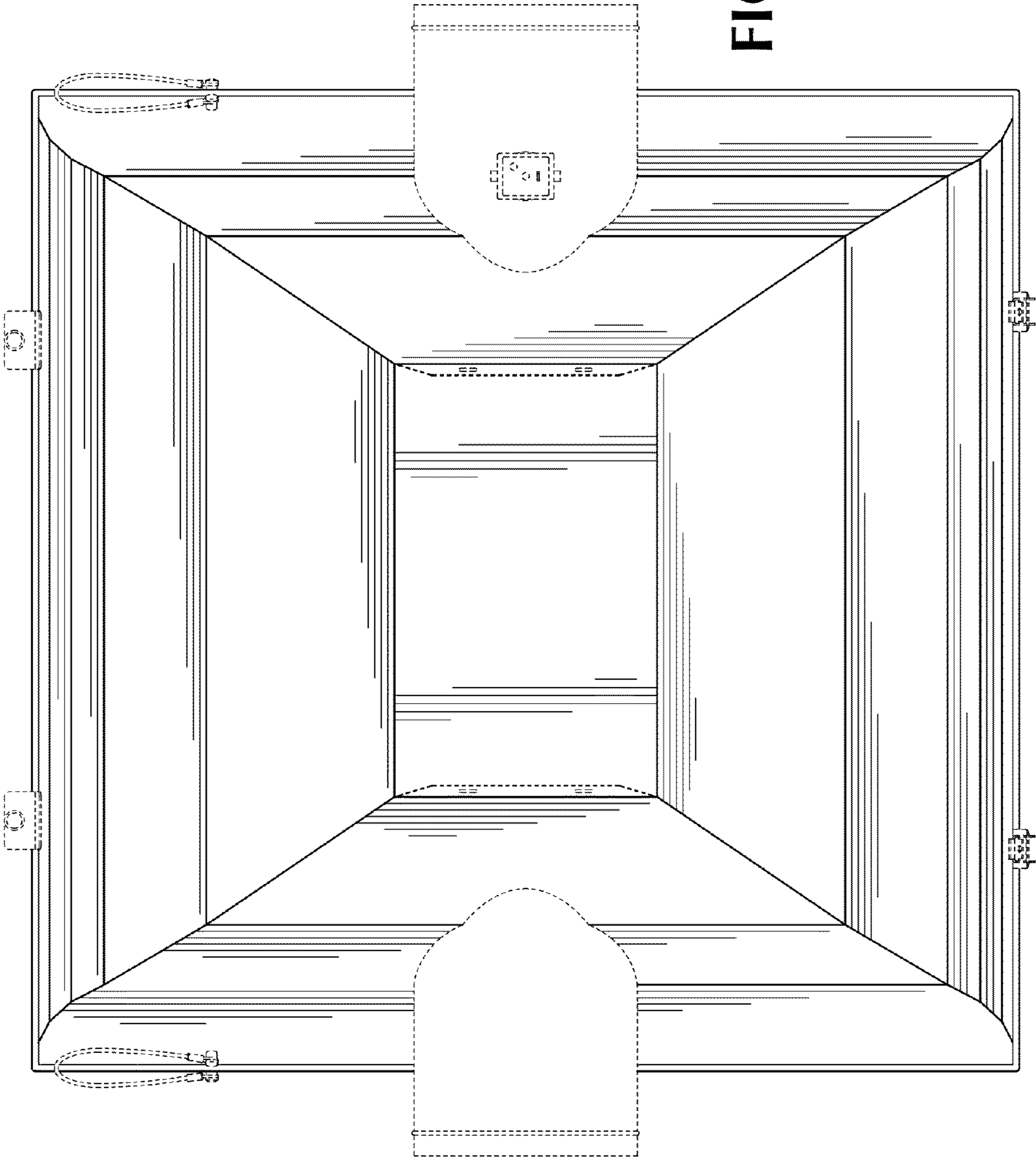


FIG. 6

FIG. 7



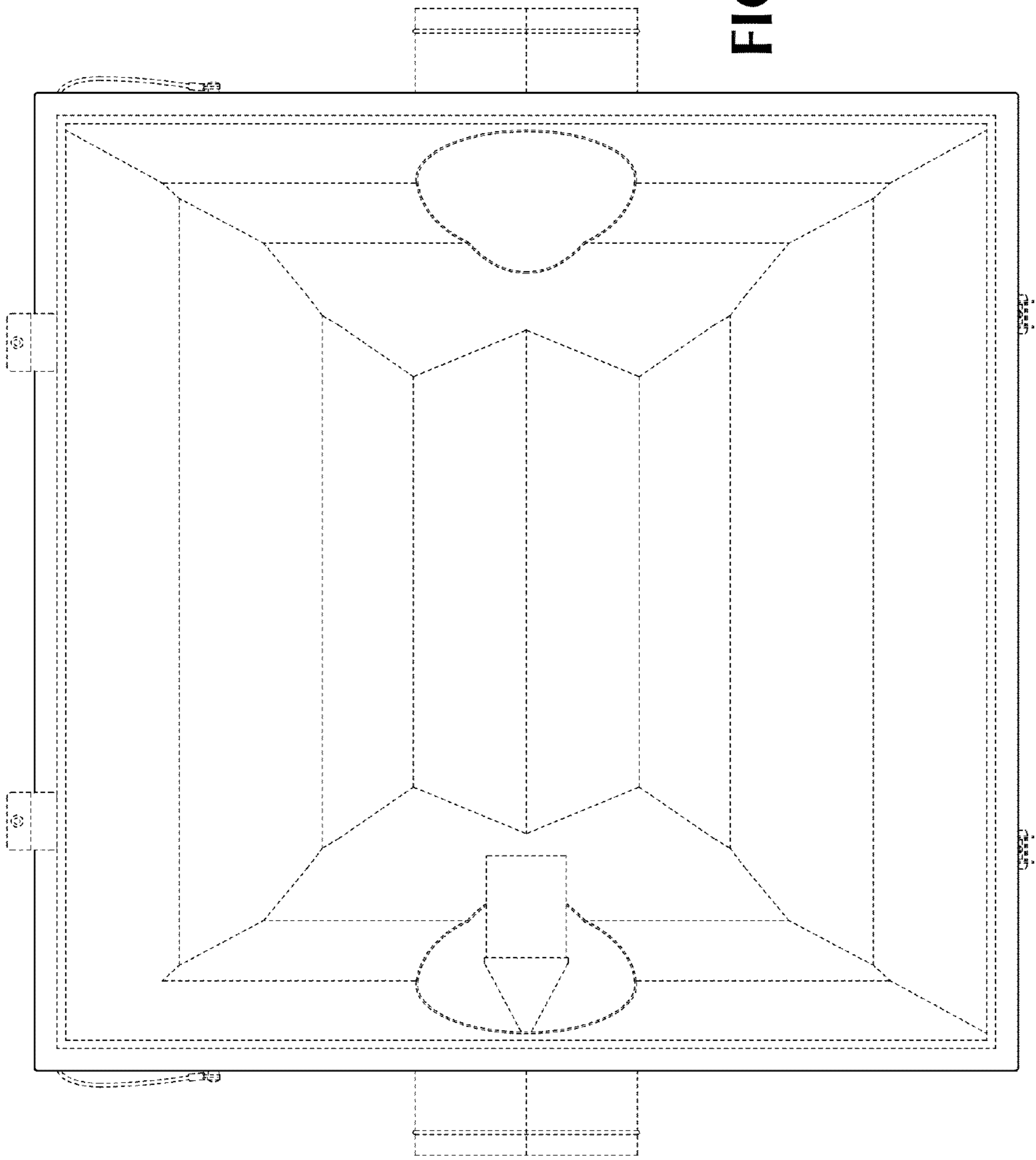


FIG. 8