



US00D731700S

(12) **United States Design Patent**  
**Santoro et al.**

(10) **Patent No.:** **US D731,700 S**  
(45) **Date of Patent:** **\*\* Jun. 9, 2015**

(54) **LUMINAIRE**

(71) Applicant: **Fluxwerx Illumination Inc.**, Delta (CA)

(72) Inventors: **Scott Santoro**, Delta (CA); **Timothy Edward Berman**, Langley (CA); **Lance David Howitt**, Vancouver (CA)

(\*\*) Term: **14 Years**

(21) Appl. No.: **29/445,000**

(22) Filed: **Feb. 6, 2013**

(51) **LOC (10) Cl.** ..... **26-99**

(52) **U.S. Cl.**  
USPC ..... **D26/118**

(58) **Field of Classification Search**

USPC ..... D26/51, 56, 57, 61, 72-102, 108, 109,  
D26/113, 118; 362/3, 11, 12, 16, 145,  
362/147-150, 217.01-217.12, 257, 291,  
362/296.01, 317, 362-368, 558, 563, 564,  
362/576, 805-809, 811; D11/131,  
D11/142-144, 153

See application file for complete search history.

(56) **References Cited**

**U.S. PATENT DOCUMENTS**

D597,241	S	*	7/2009	Fabbri et al.	.....	D26/74
D614,792	S	*	4/2010	Fabbri et al.	.....	D26/74
D621,989	S	*	8/2010	Proner	.....	D26/76
D627,503	S	*	11/2010	Postelmans	.....	D26/93
D629,553	S	*	12/2010	Gielen	.....	D26/76
D629,554	S	*	12/2010	Gielen	.....	D26/76
D646,820	S	*	10/2011	Wauters	.....	D26/63
8,613,525	B2	*	12/2013	Shimizu et al.	.....	362/294
D702,391	S	*	4/2014	Clark et al.	.....	D26/76
2005/0157500	A1	*	7/2005	Chen et al.	.....	362/294

**OTHER PUBLICATIONS**

Fluxwerx Products Website, Profile Model, online. Site visited Jun. 19, 2014. Internet URL:<<"http://fluxwerx.com/products/profile/#nice2">>.\*

\* cited by examiner

*Primary Examiner* — Garth Rademaker

*Assistant Examiner* — Llorelys Martinez-Rivera

(74) *Attorney, Agent, or Firm* — Oyen Wiggs Green & Mutala LLP

(57) **CLAIM**

The ornamental design for a luminaire, as shown and described.

**DESCRIPTION**

FIG. 1 is a perspective view of a first embodiment of a luminaire, showing our new design;

FIG. 2 is a front view thereof; the rear view being identical thereto;

FIG. 3 is a top view thereof;

FIG. 4 is a bottom view thereof;

FIG. 5 is a left side view thereof;

FIG. 6 is a right side view thereof;

FIG. 7 is a perspective view of a second embodiment of a luminaire, showing our new design;

FIG. 8 is a front view thereof; the rear view being identical thereto;

FIG. 9 is a top view thereof;

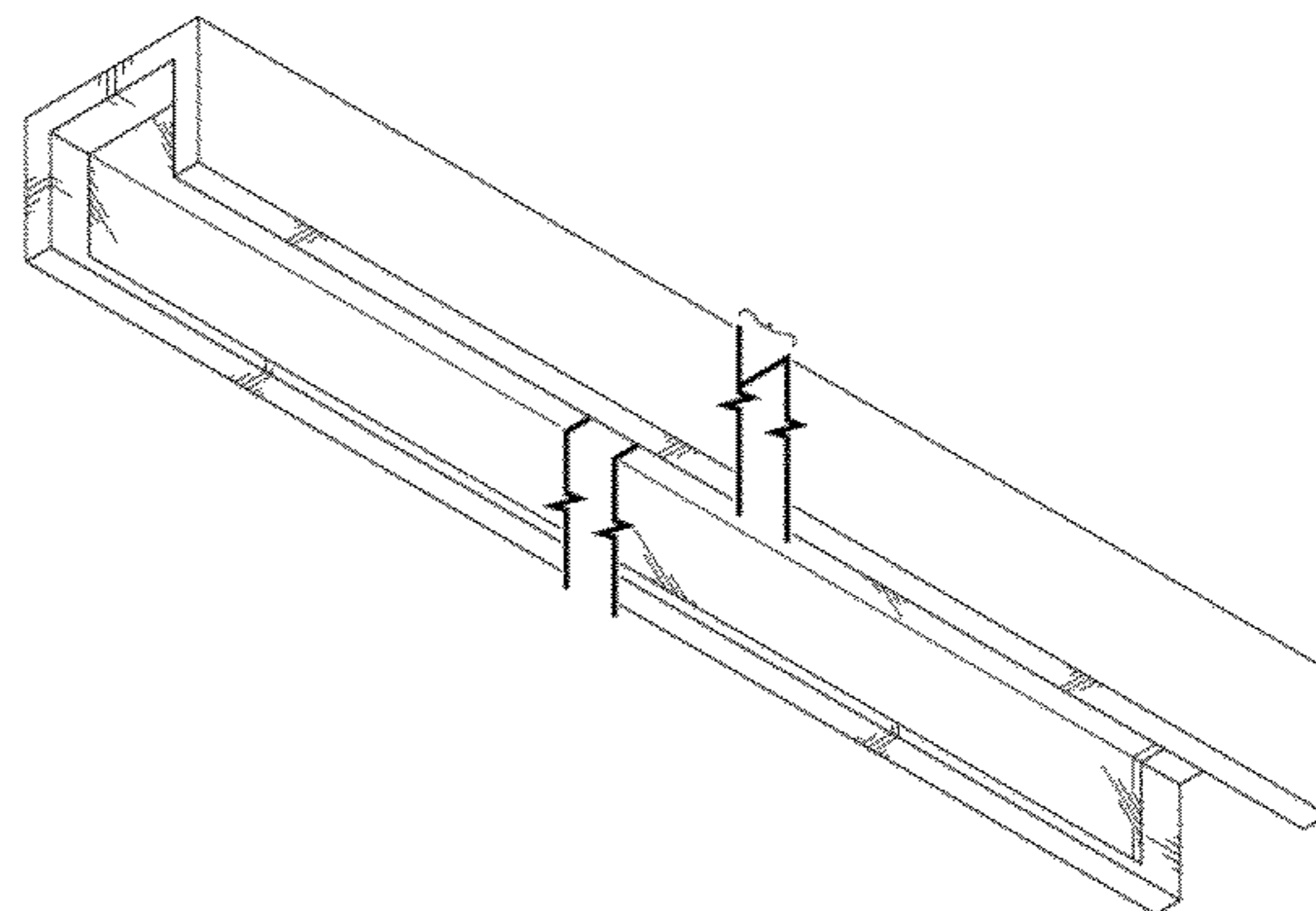
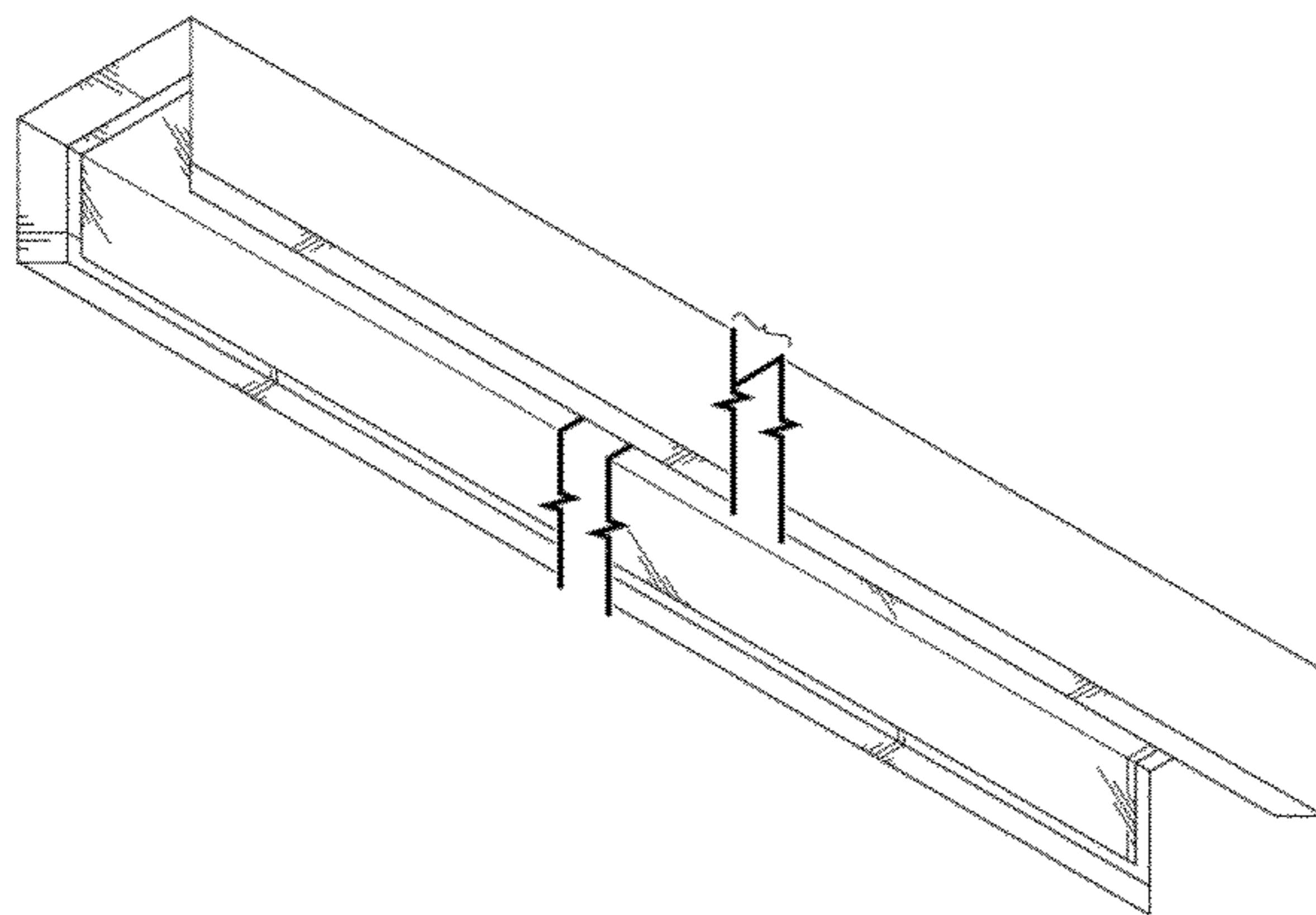
FIG. 10 is a bottom view thereof;

FIG. 11 is a left side view thereof; and,

FIG. 12 is a right side view thereof.

The luminaire is shown with symbolic break lines along its width. The appearance of any portion of the article between the break lines forms no part of the claimed design.

**1 Claim, 4 Drawing Sheets**



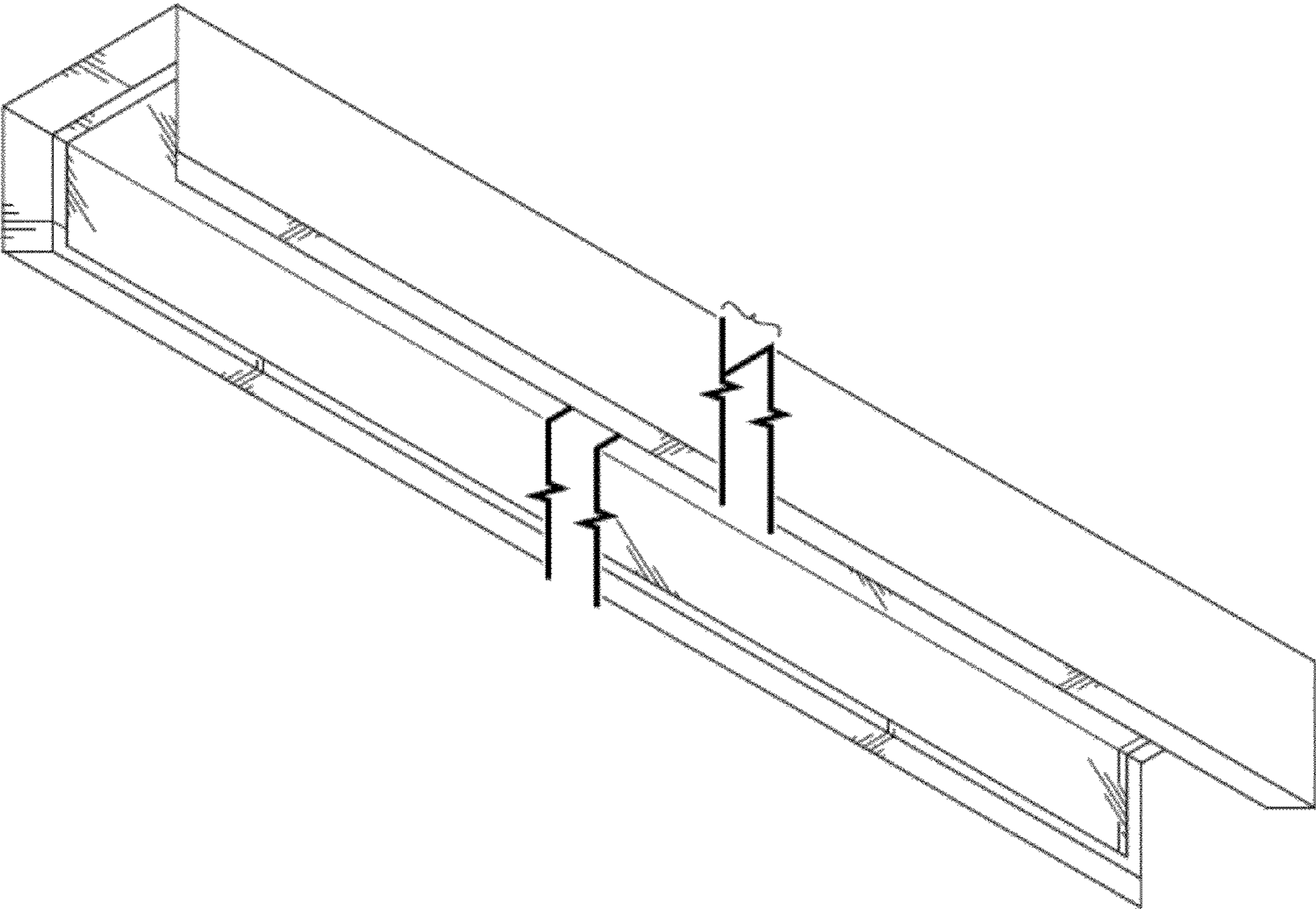


FIG.1

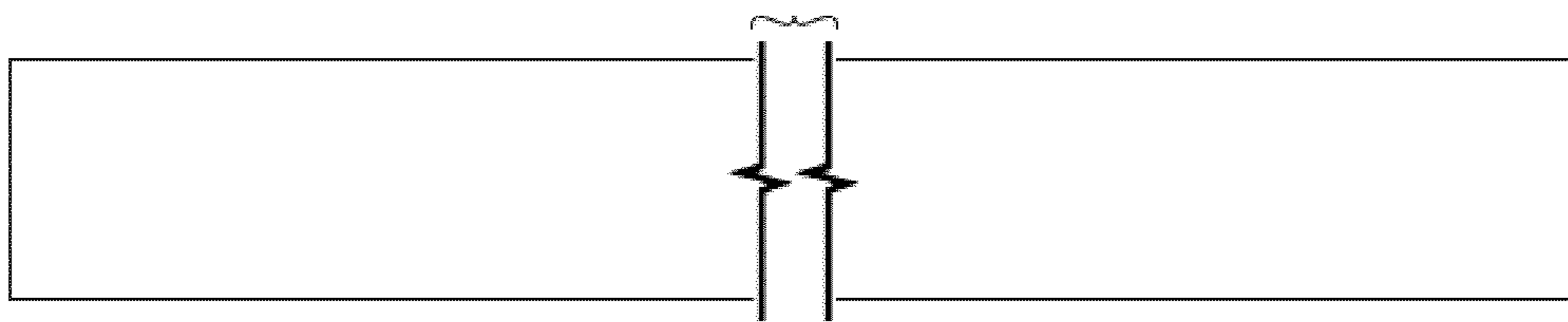


FIG.3

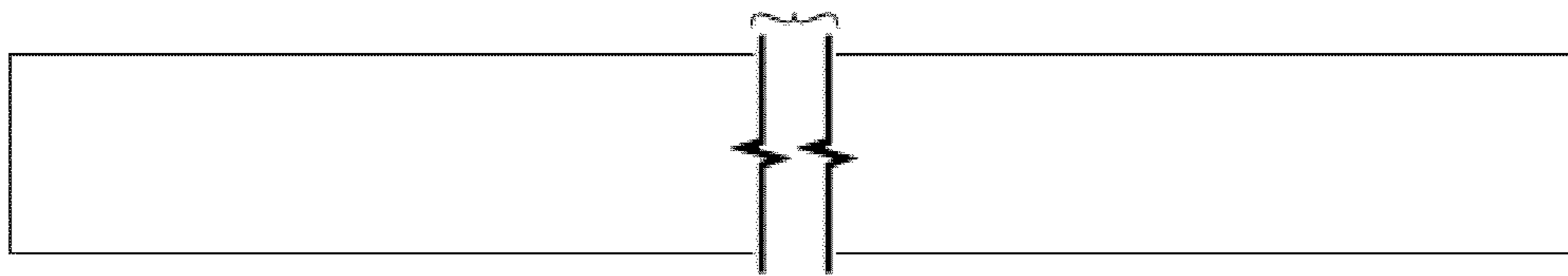


FIG.2

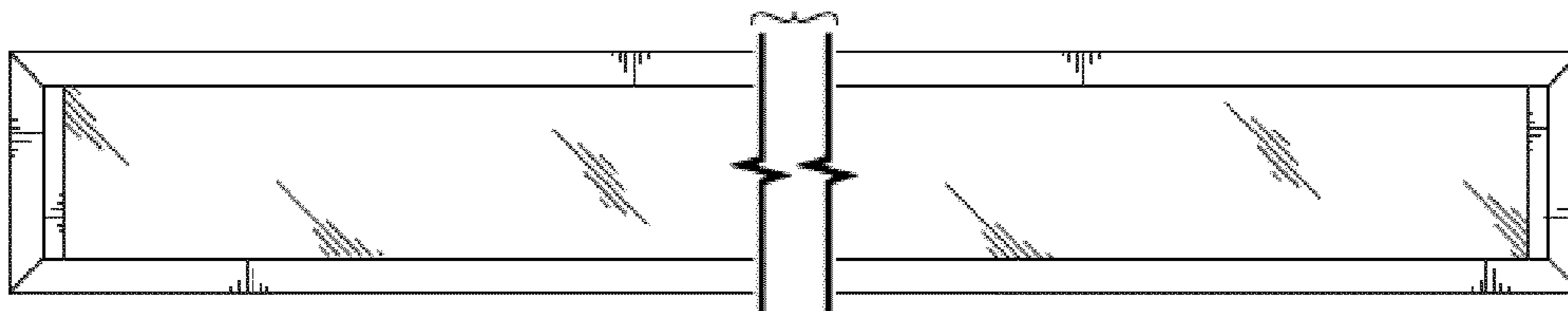


FIG.4

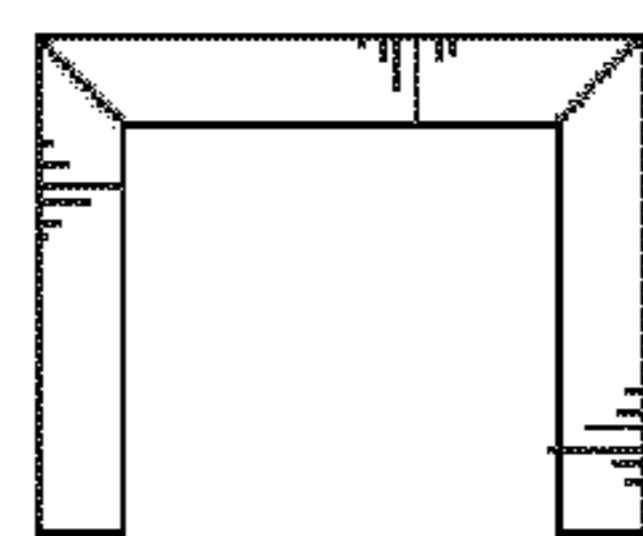


FIG.5

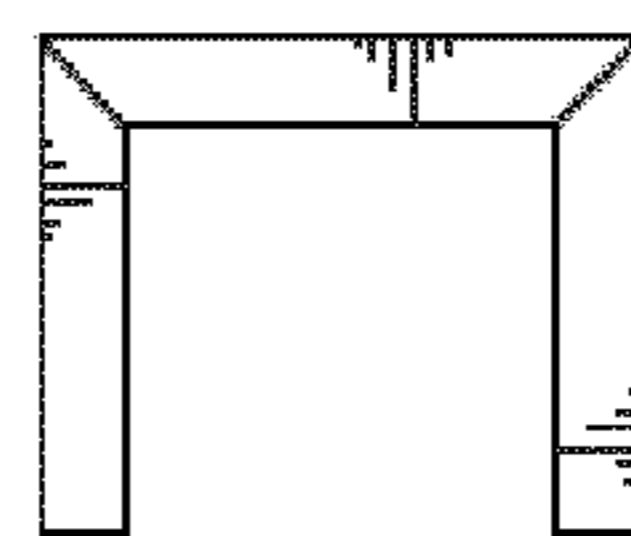
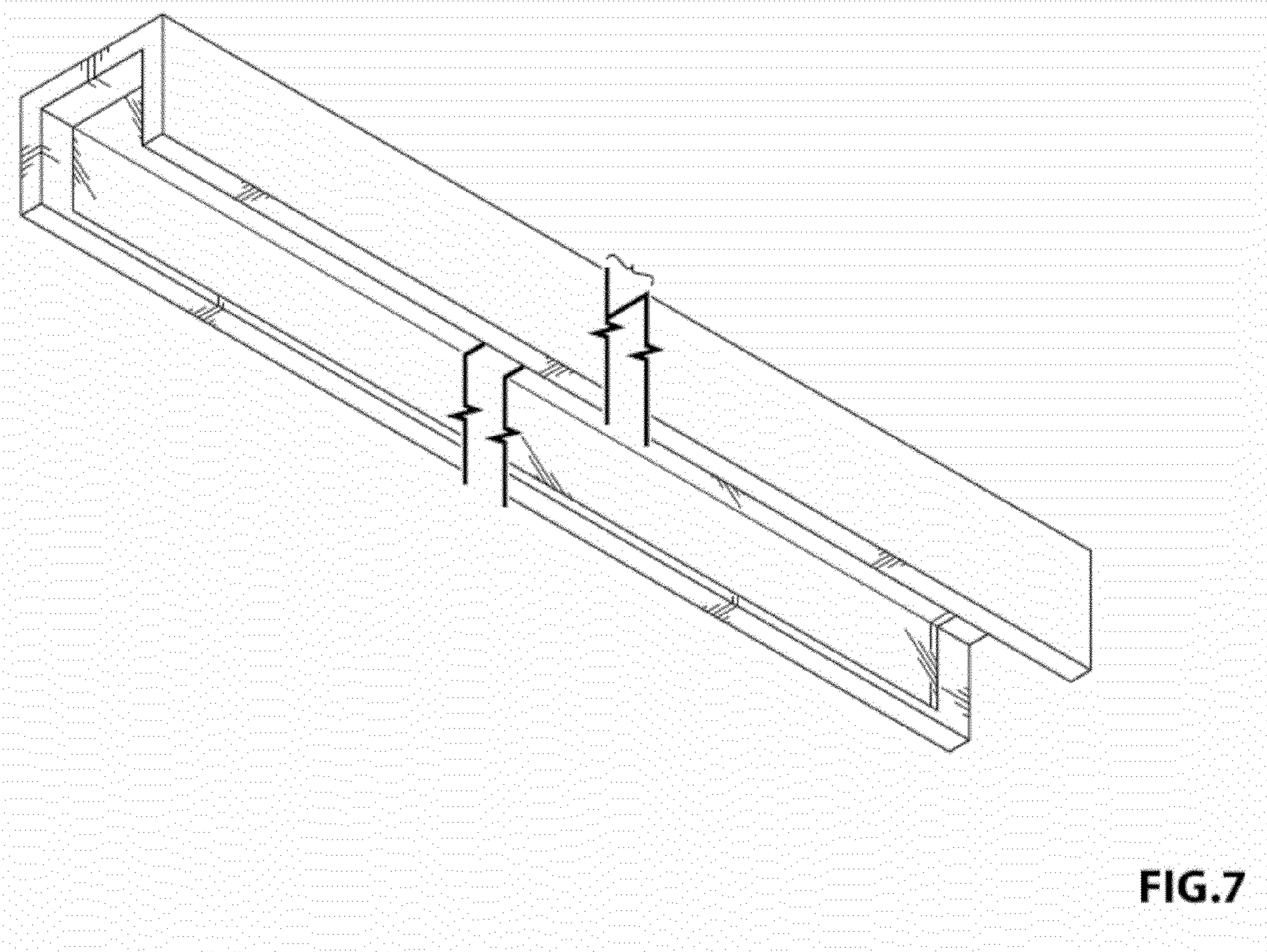


FIG.6



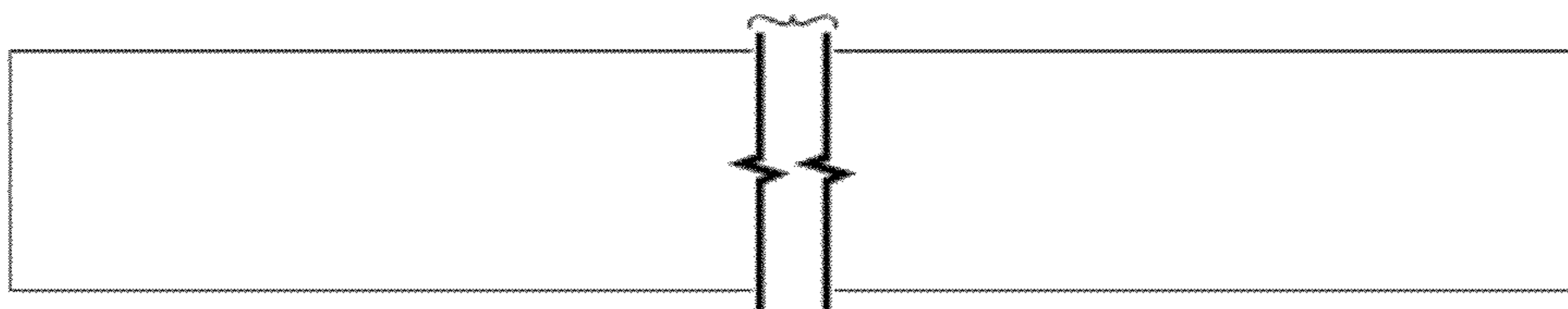


FIG.9

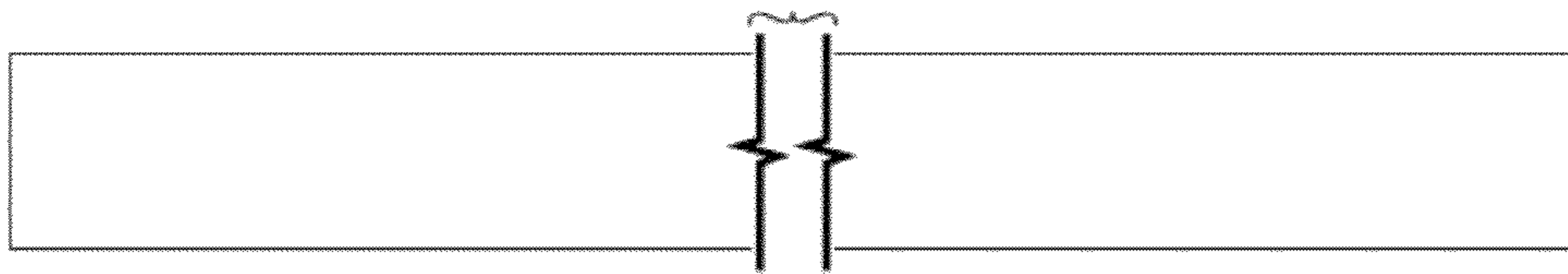


FIG.8

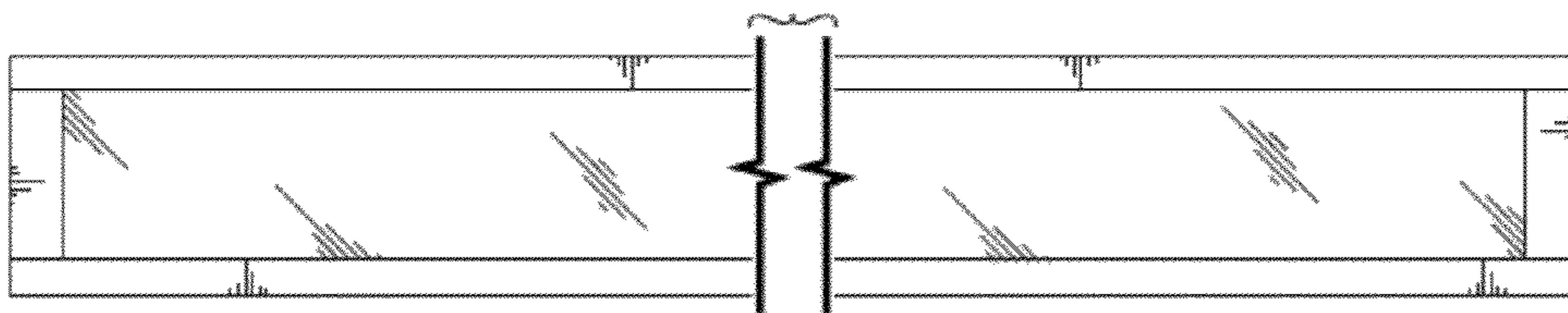


FIG.10

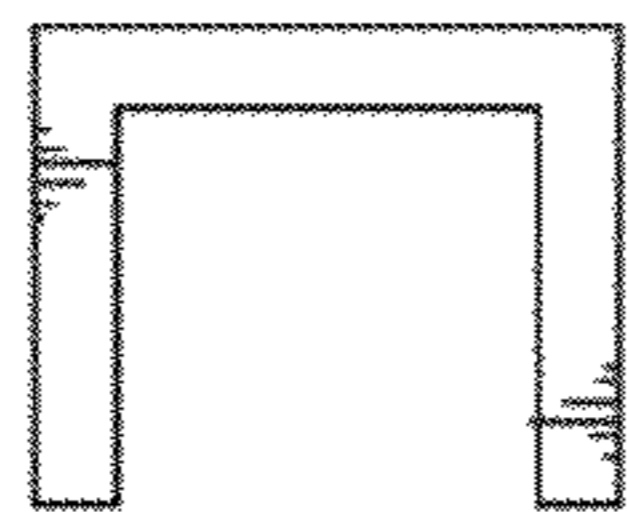


FIG.11

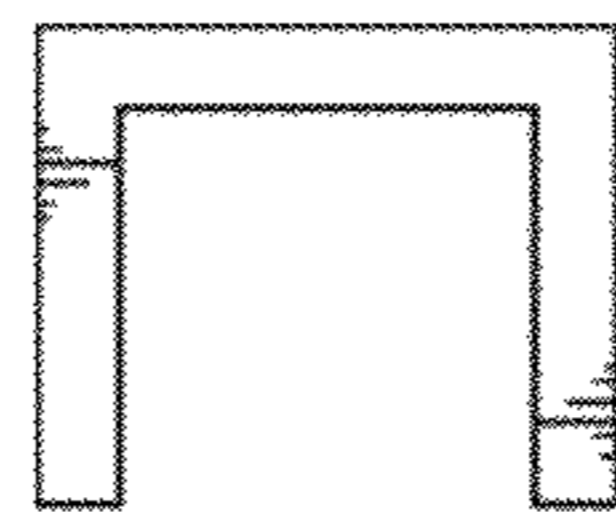


FIG.12