



US00D731699S

(12) **United States Design Patent**
Fishman et al.

(10) **Patent No.:** **US D731,699 S**
(45) **Date of Patent:** **** Jun. 9, 2015**

(54) **TASK LIGHT**

(71) Applicant: **Novartis Institutes for Biomedical Research, Inc.**, Cambridge, MA (US)
(72) Inventors: **Mark C. Fishman**, Cambridge, MA (US); **Toshiko Mori**, New York, NY (US); **Landon S. Brown**, Brooklyn, NY (US)
(73) Assignee: **Novartis Institutes for Biomedical Research, Inc.**, Cambridge, MA (US)
(**) Term: **14 Years**

(21) Appl. No.: **29/446,568**
(22) Filed: **Feb. 25, 2013**
(51) **LOC (10) Cl.** **26-03**
(52) **U.S. Cl.**
USPC **D26/106**
(58) **Field of Classification Search**
USPC D26/24, 61-67, 93, 102, 104-107, D26/108-10; 362/509, 516, 523, 186, 217, 362/255, 257, 277, 317, 319, 351, 354, 355, 362/357, 358, 362, 382, 410, 413, 417, 806
See application file for complete search history.

(56) **References Cited**

U.S. PATENT DOCUMENTS

D377,993 S *	2/1997	Herst et al.	D26/107
D451,627 S *	12/2001	Dolan	D26/106
D539,970 S *	4/2007	Waldmann	D26/107
D645,197 S *	9/2011	Waldmann	D26/93

* cited by examiner

Primary Examiner — Brian N Vinson

(74) *Attorney, Agent, or Firm* — Morrison & Foerster LLP

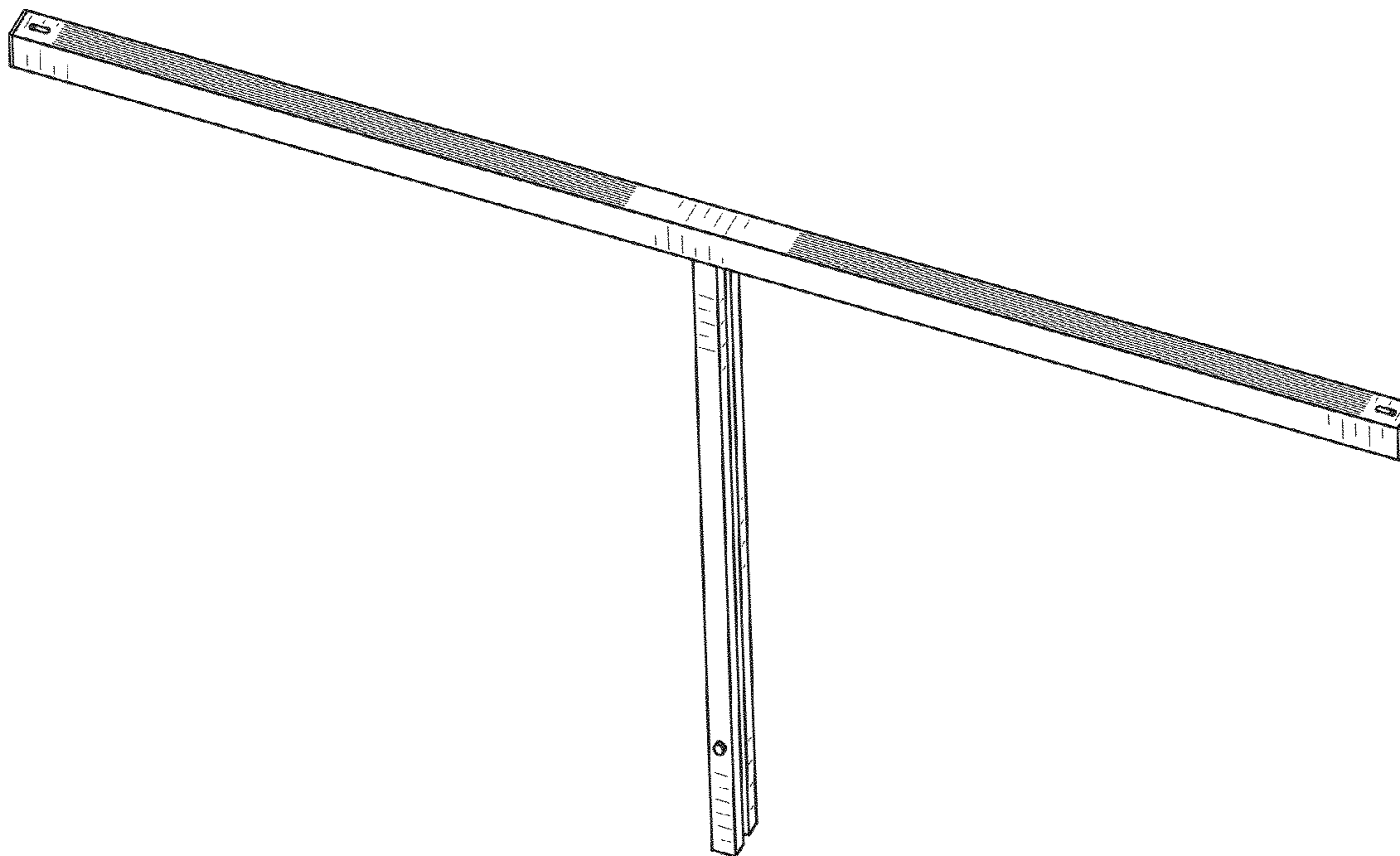
(57) **CLAIM**

The ornamental design for a task light, as shown and described.

DESCRIPTION

FIG. 1 is a top perspective view of a task light according to one embodiment, which may be used with a laboratory workbench.
FIG. 2 is a front view of the task light.
FIG. 3 is a back view of the task light.
FIG. 4 is a first side view of the task light.
FIG. 5 is a second side view, opposite of the first side view, of the task light.
FIG. 6 is a top view of the task light.
FIG. 7 is a bottom view of the task light; and,
FIG. 8 is a bottom perspective view of the task light.

1 Claim, 3 Drawing Sheets



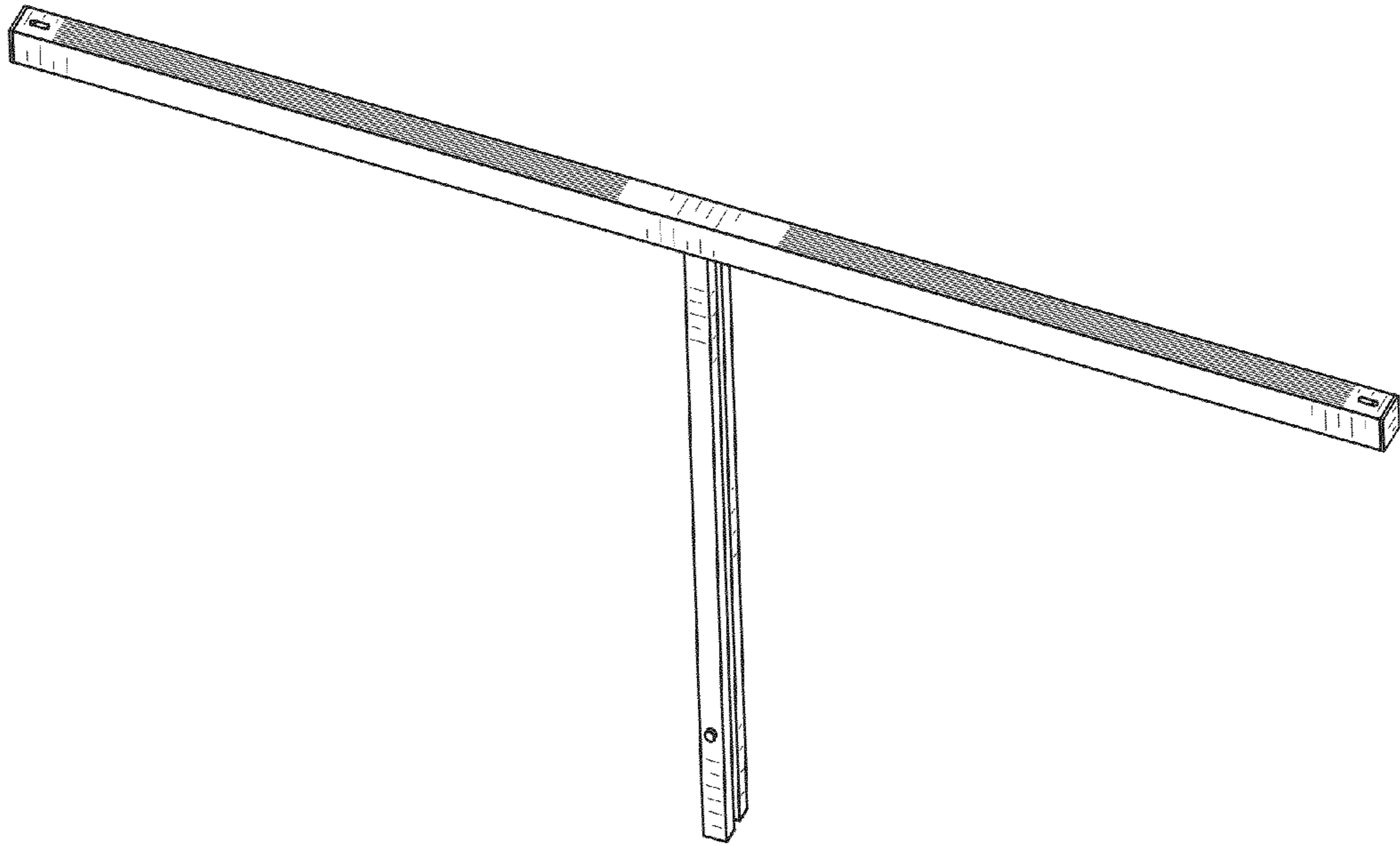


FIG. 1

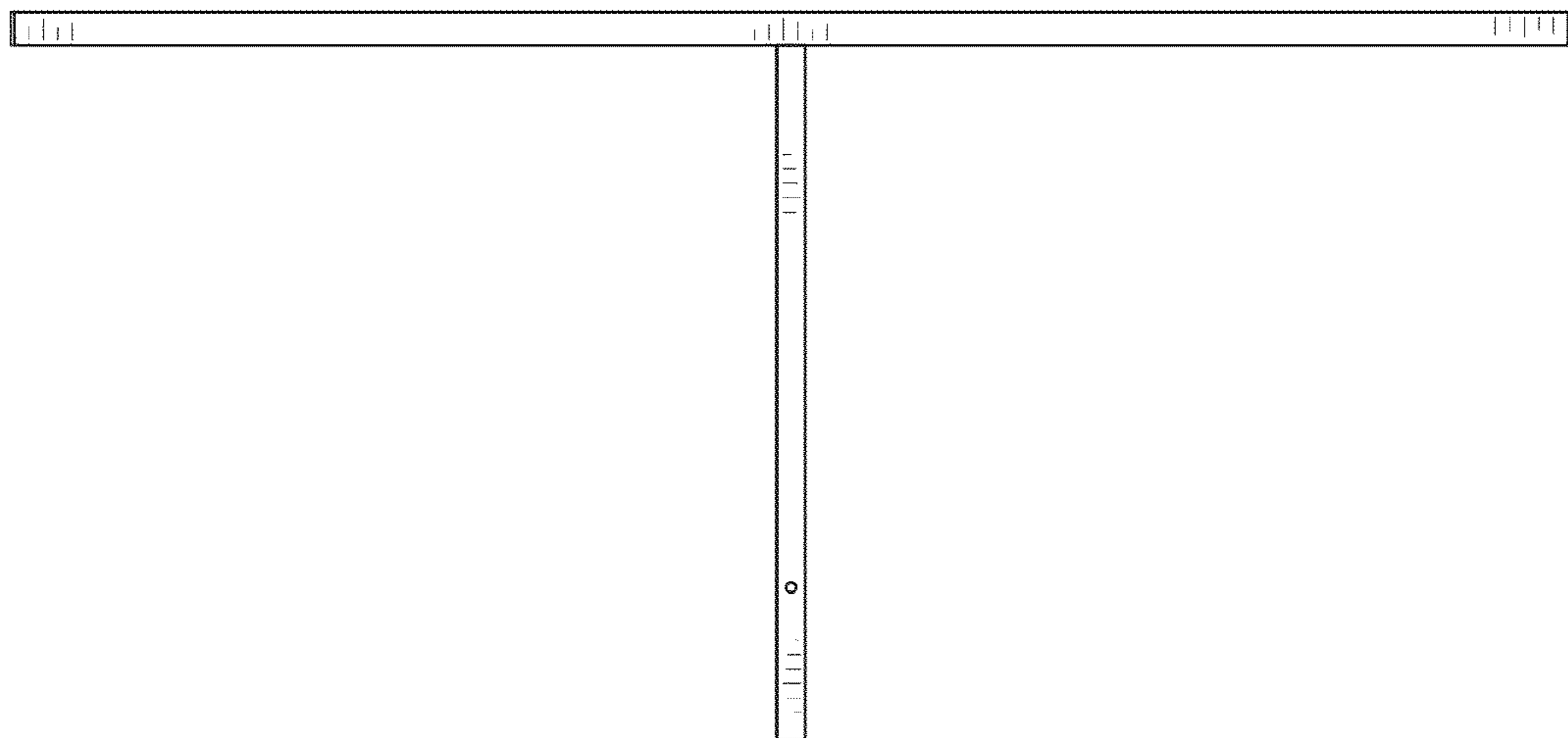


FIG. 2

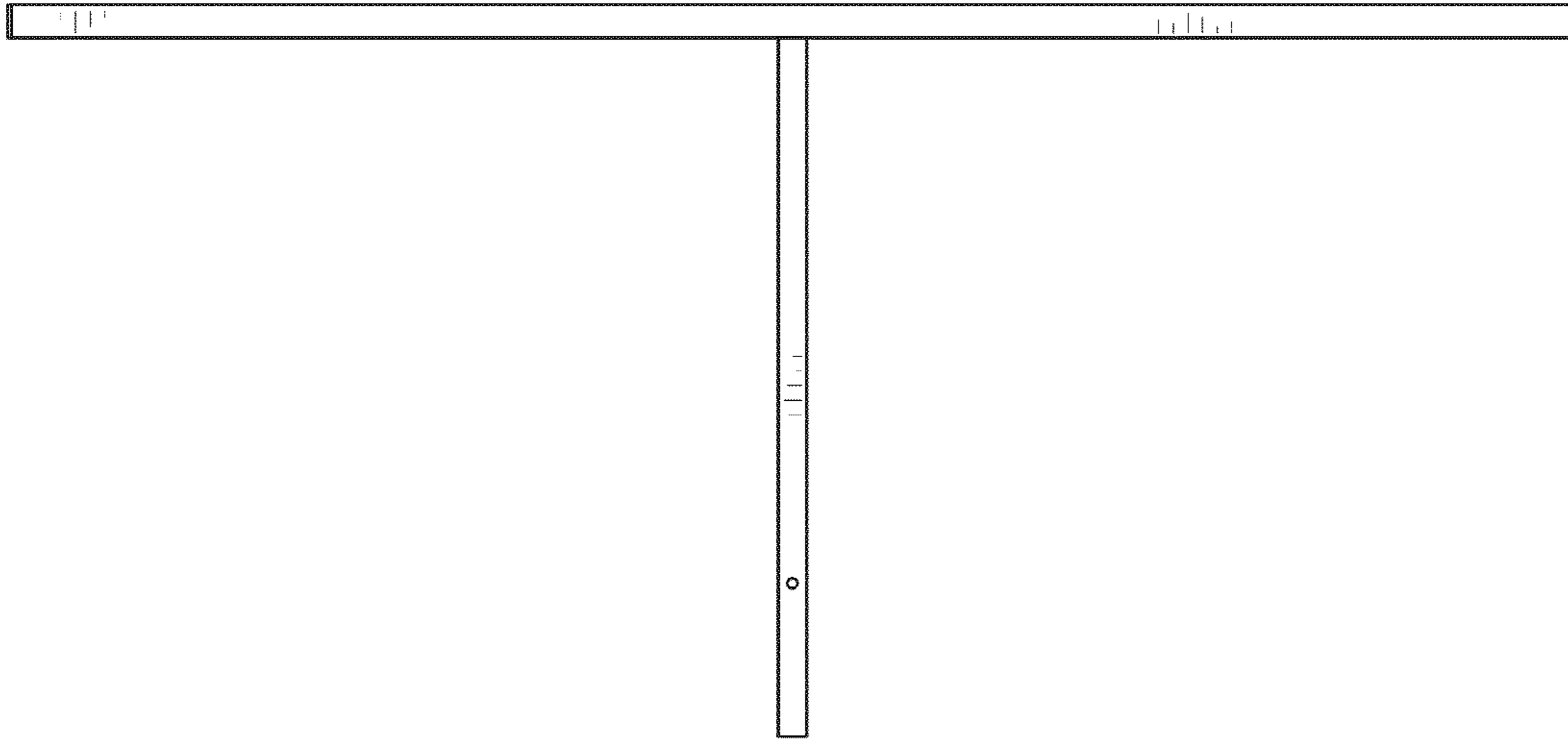


FIG. 3

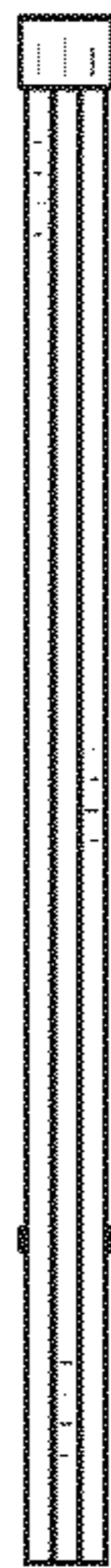


FIG. 4



FIG. 5



FIG. 6

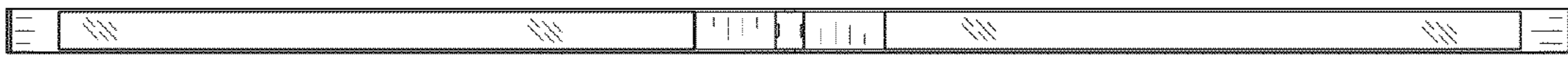


FIG. 7

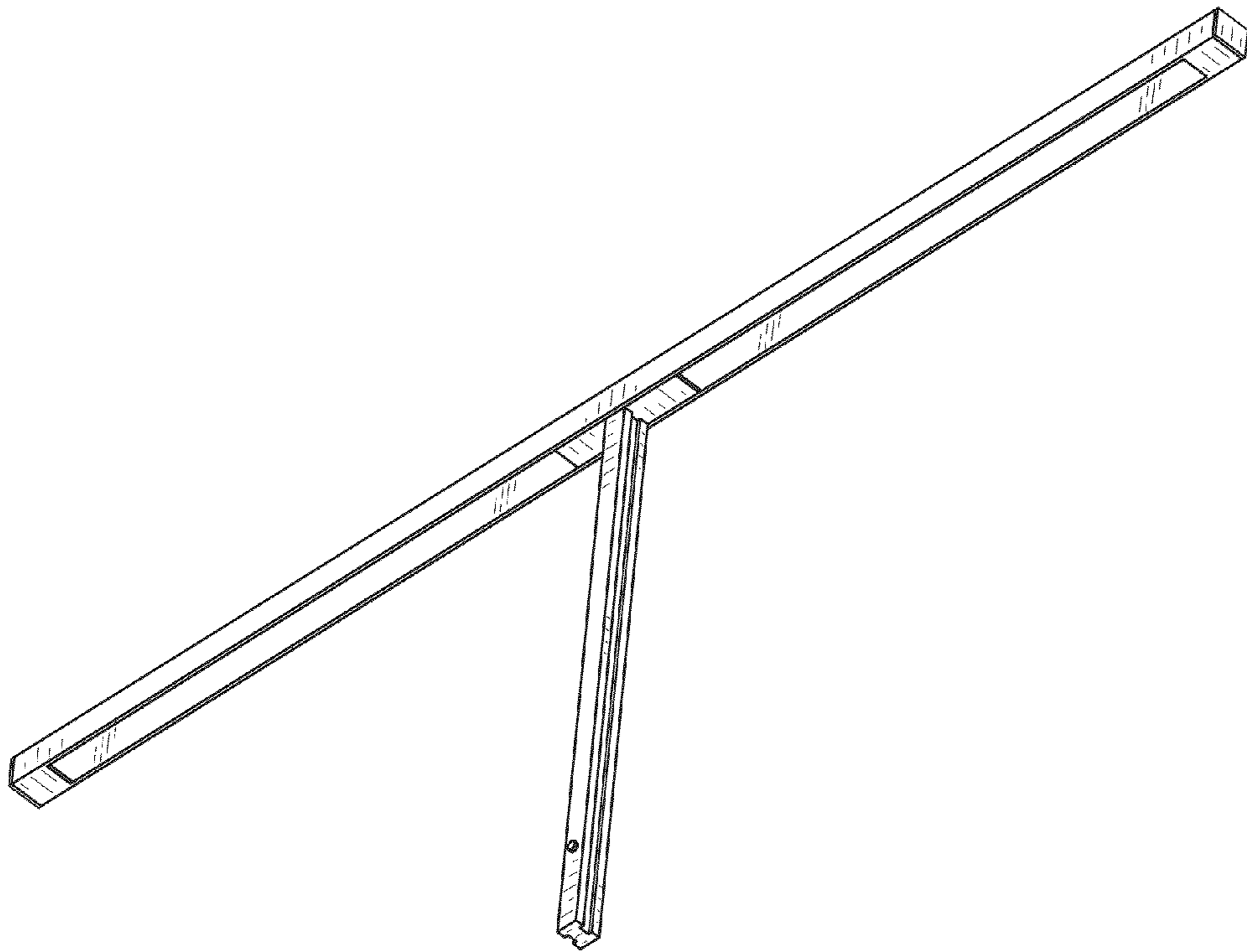


FIG. 8