



US00D731698S

(12) **United States Design Patent**
Johnson

(10) **Patent No.:** **US D731,698 S**
(45) **Date of Patent:** **** Jun. 9, 2015**

(54) **GOBLET LIGHT**

(71) Applicant: **Crown Imports LLC**, Chicago, IL (US)

(72) Inventor: **Michael Johnson**, Chicago, IL (US)

(73) Assignee: **CROWN IMPORTS LLC**, Chicago, IL (US)

(**) Term: **14 Years**

(21) Appl. No.: **29/457,247**

(22) Filed: **Jun. 7, 2013**

(51) **LOC (10) Cl.** **26-03**

(52) **U.S. Cl.**
USPC **D26/94; D26/73**

(58) **Field of Classification Search**
USPC D26/73, 93-101, 142, 146, 147, 156;
D11/153, 160; D20/29; 362/124, 410,
362/412, 644, 653, 806
CPC F21S 6/002
See application file for complete search history.

(56) **References Cited**

U.S. PATENT DOCUMENTS

D90,777 S *	9/1933	Lippard	D26/73
D90,881 S *	10/1933	Gruber	D26/73
D197,169 S *	12/1963	Kaufmann	D23/201
D205,240 S *	7/1966	Needham	D26/73
D394,323 S *	5/1998	West	D26/63
D429,012 S	8/2000	Petruzzi		
6,171,101 B1 *	1/2001	Freeman et al.	431/291
D439,200 S *	3/2001	Shaw	D11/157

D501,949 S *	2/2005	Tang	D26/94
D502,782 S *	3/2005	Tang	D26/94
D508,576 S *	8/2005	Brady	D26/26
D508,743 S *	8/2005	Brady	D26/26
D509,608 S *	9/2005	Brady	D26/26
D523,568 S *	6/2006	Brady	D26/26
D650,691 S	12/2011	Miller		
D650,692 S	12/2011	Miller		
D663,883 S	7/2012	Johnson		
2012/0234845 A1	9/2012	Miller		

* cited by examiner

Primary Examiner — Clare E Heflin

(74) *Attorney, Agent, or Firm* — Michael Best & Friedrich LLP

(57) **CLAIM**

I claim the ornamental design for a goblet light, as shown and described.

DESCRIPTION

FIG. 1 is a perspective view of a goblet light embodying the invention.

FIG. 2 is a left side view of the goblet light shown in FIG. 1.

FIG. 3 is a right side view of the goblet light shown in FIG. 1.

FIG. 4 is a front view of the goblet light shown in FIG. 1.

FIG. 5 is a rear view of the goblet light shown in FIG. 1.

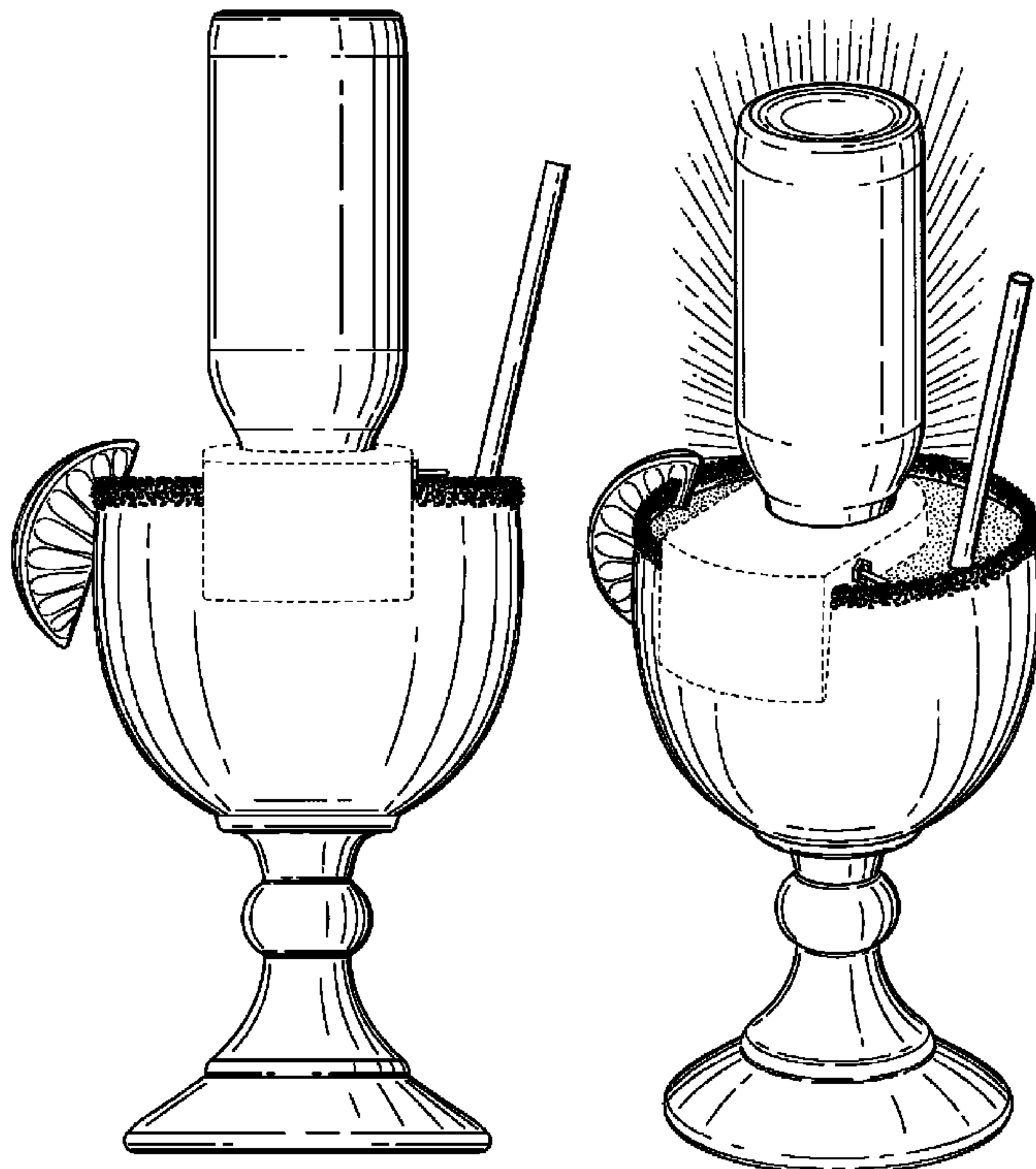
FIG. 6 is a top view of the goblet light shown in FIG. 1.

FIG. 7 is a bottom view of the goblet light shown in FIG. 1; and,

FIG. 8 is a perspective view of the goblet light shown in FIG. 1, illustrating the goblet light as lit.

The broken lines showing the environment form no part of the claimed design.

1 Claim, 7 Drawing Sheets



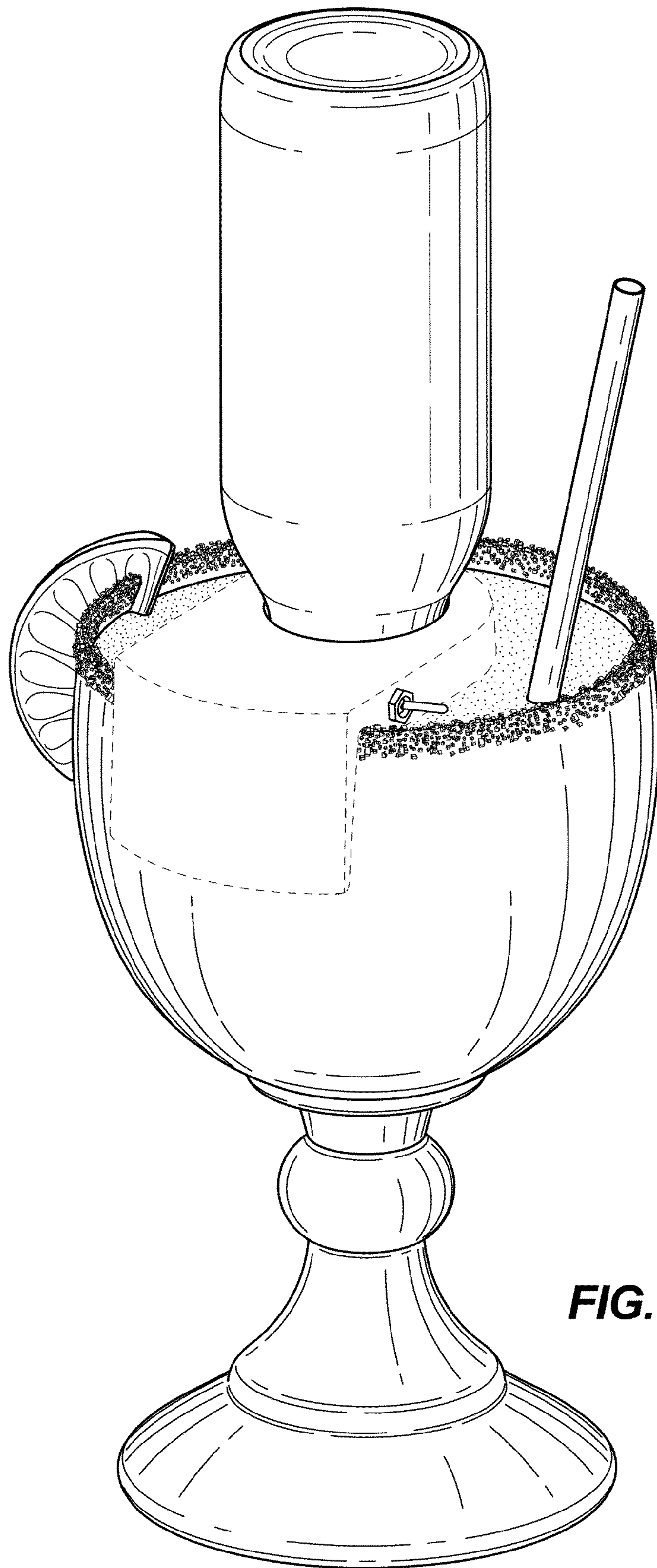


FIG. 1

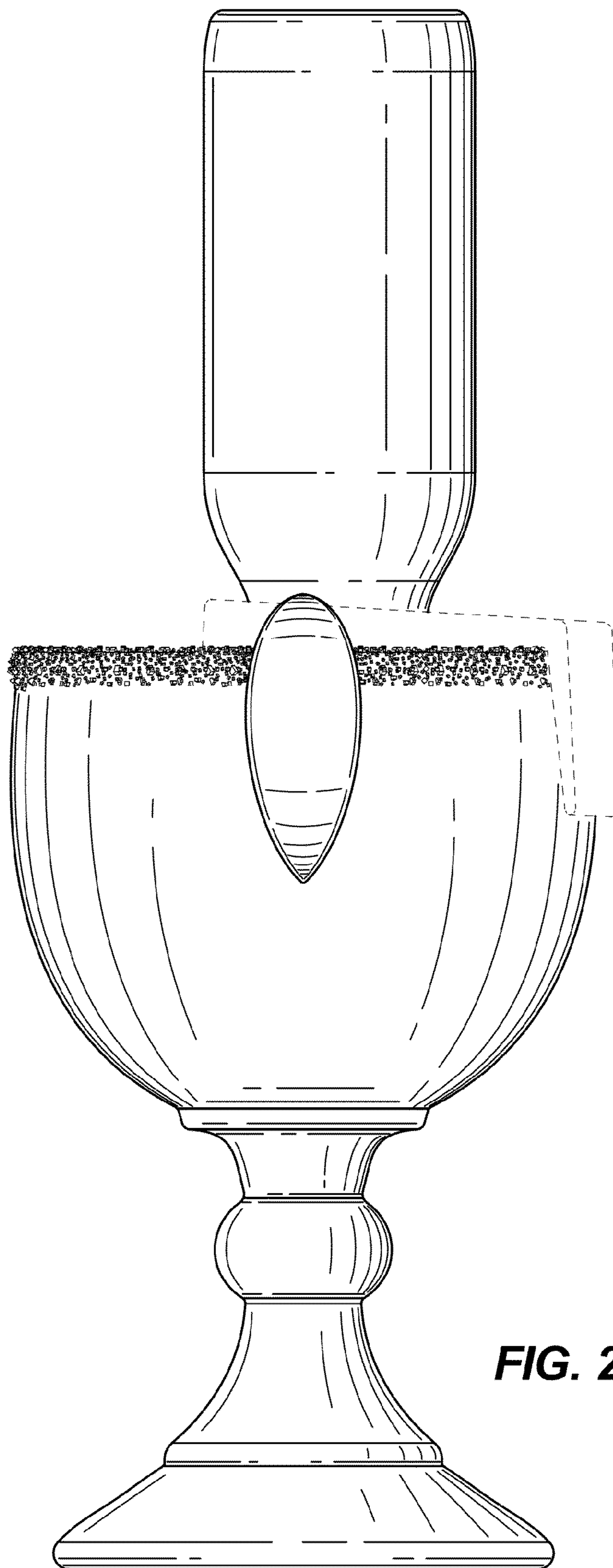


FIG. 2

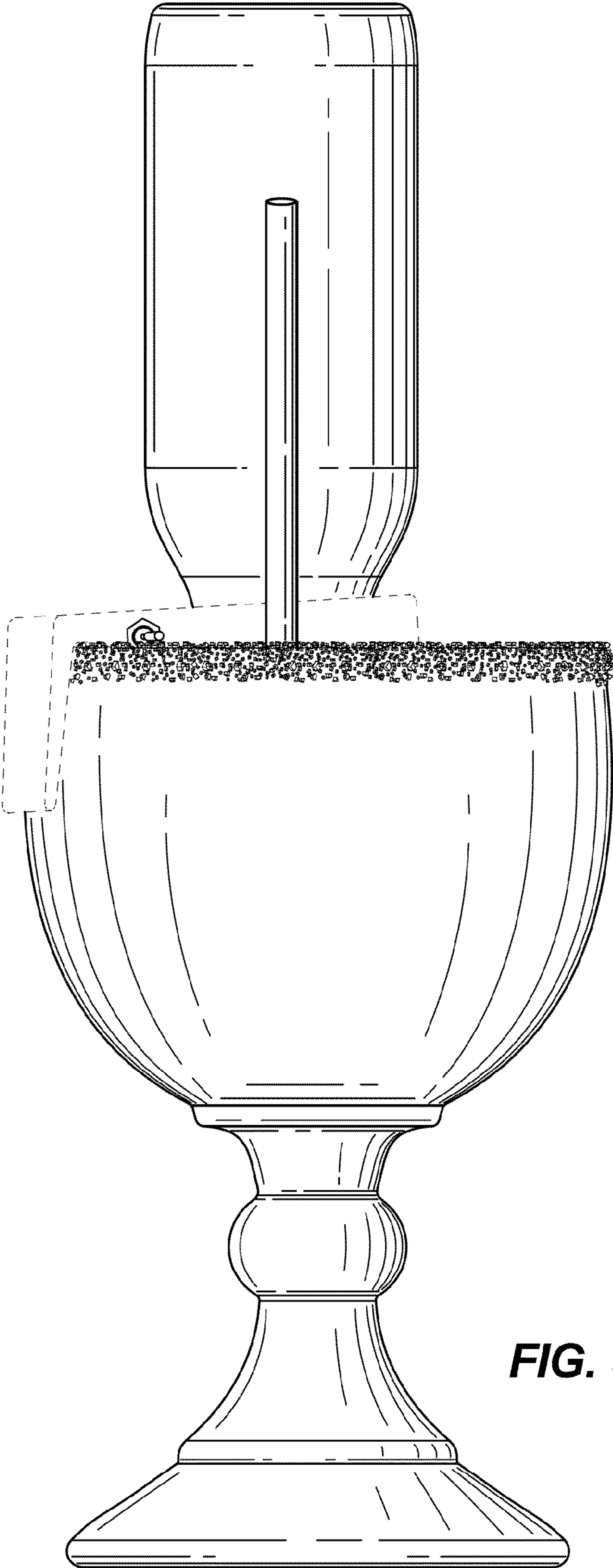


FIG. 3

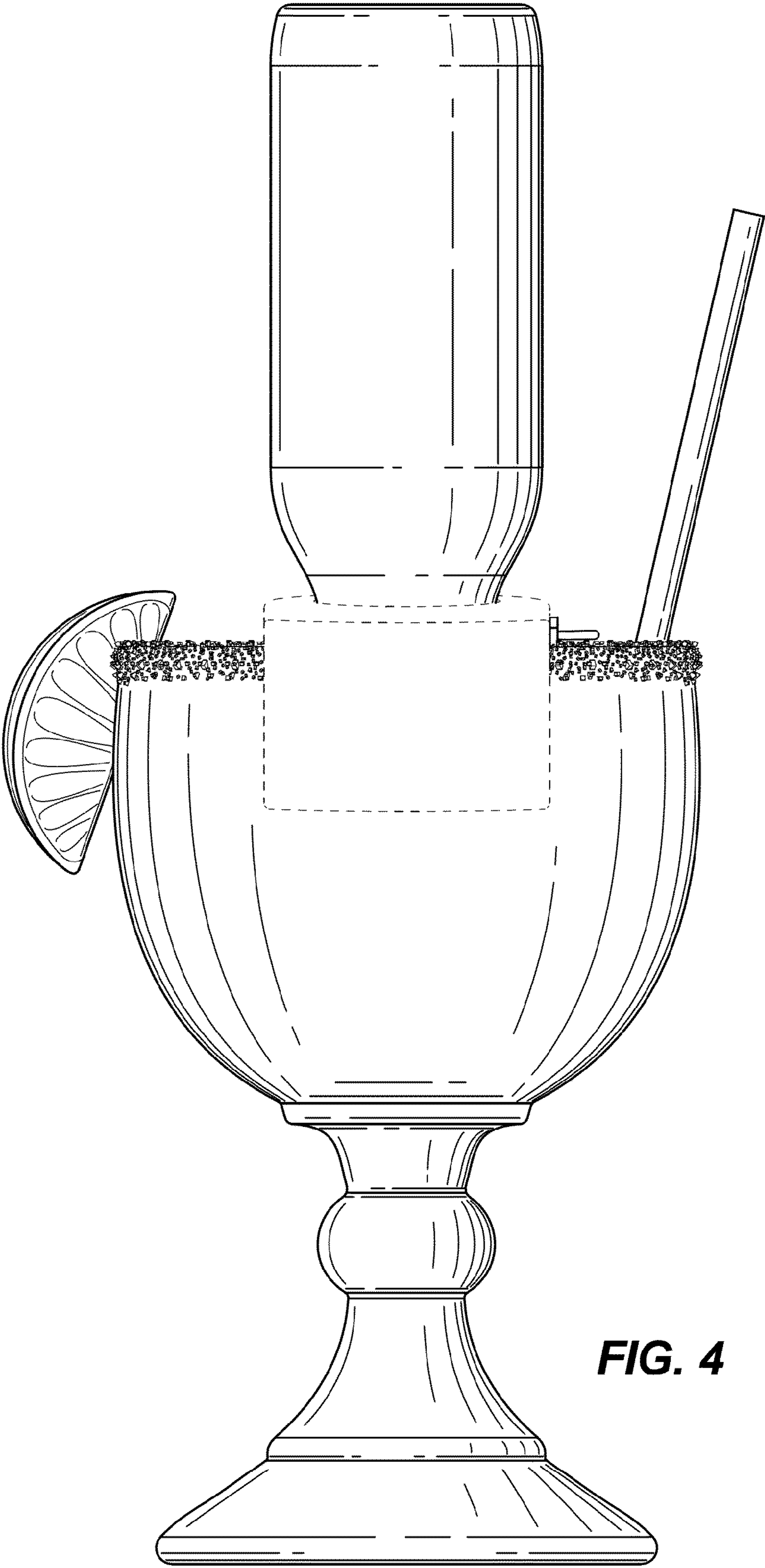


FIG. 4

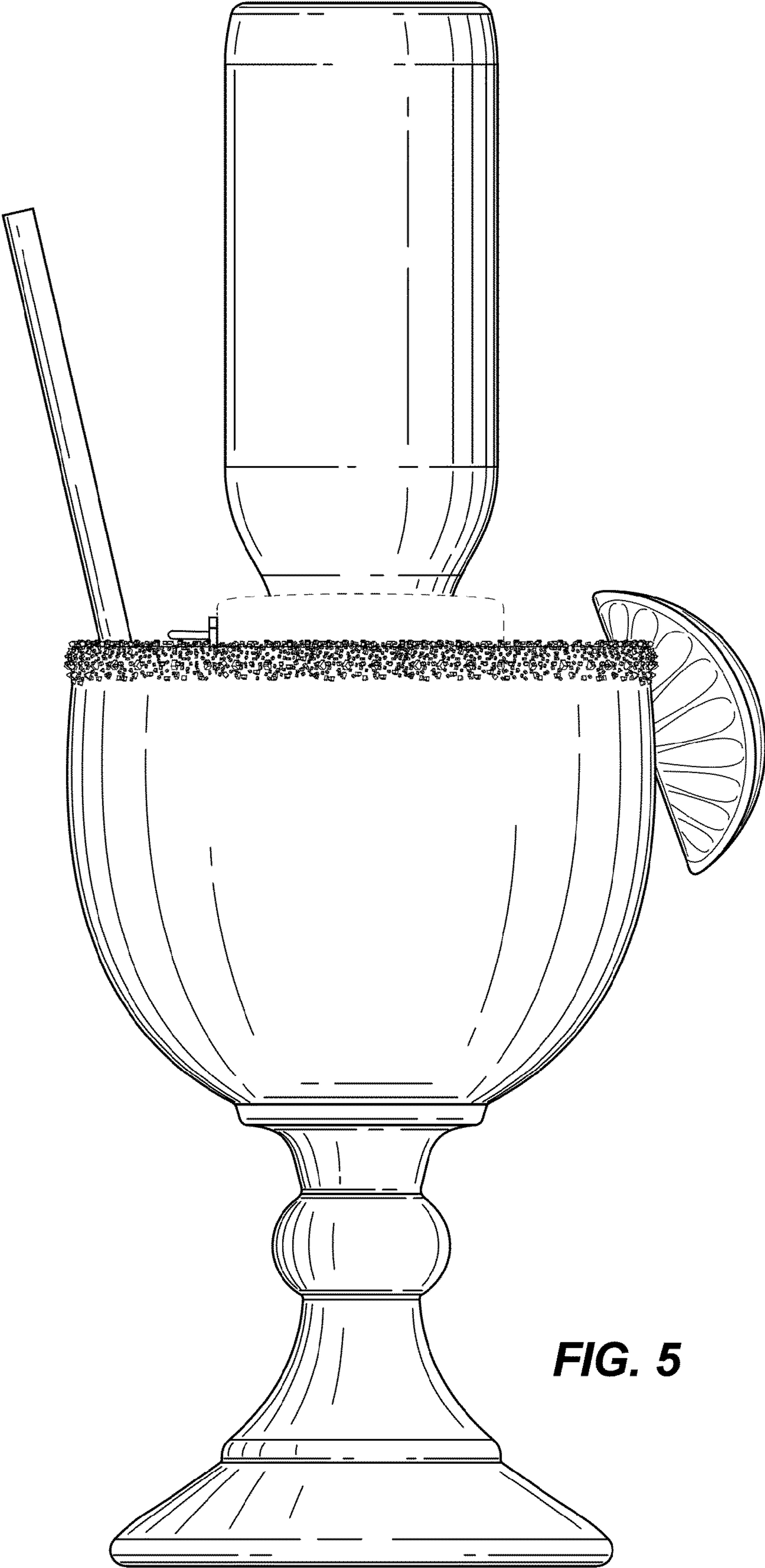


FIG. 5

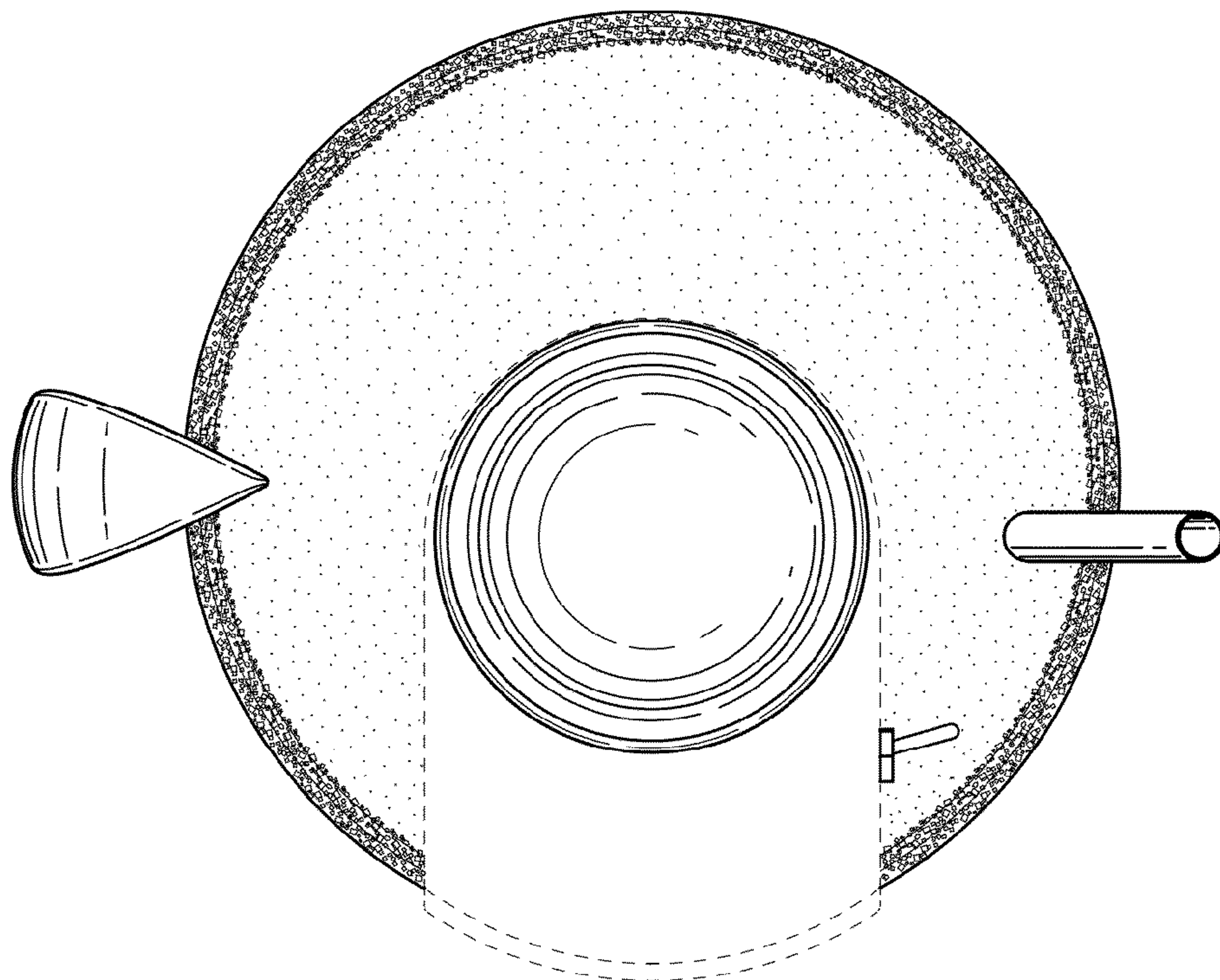


FIG. 6

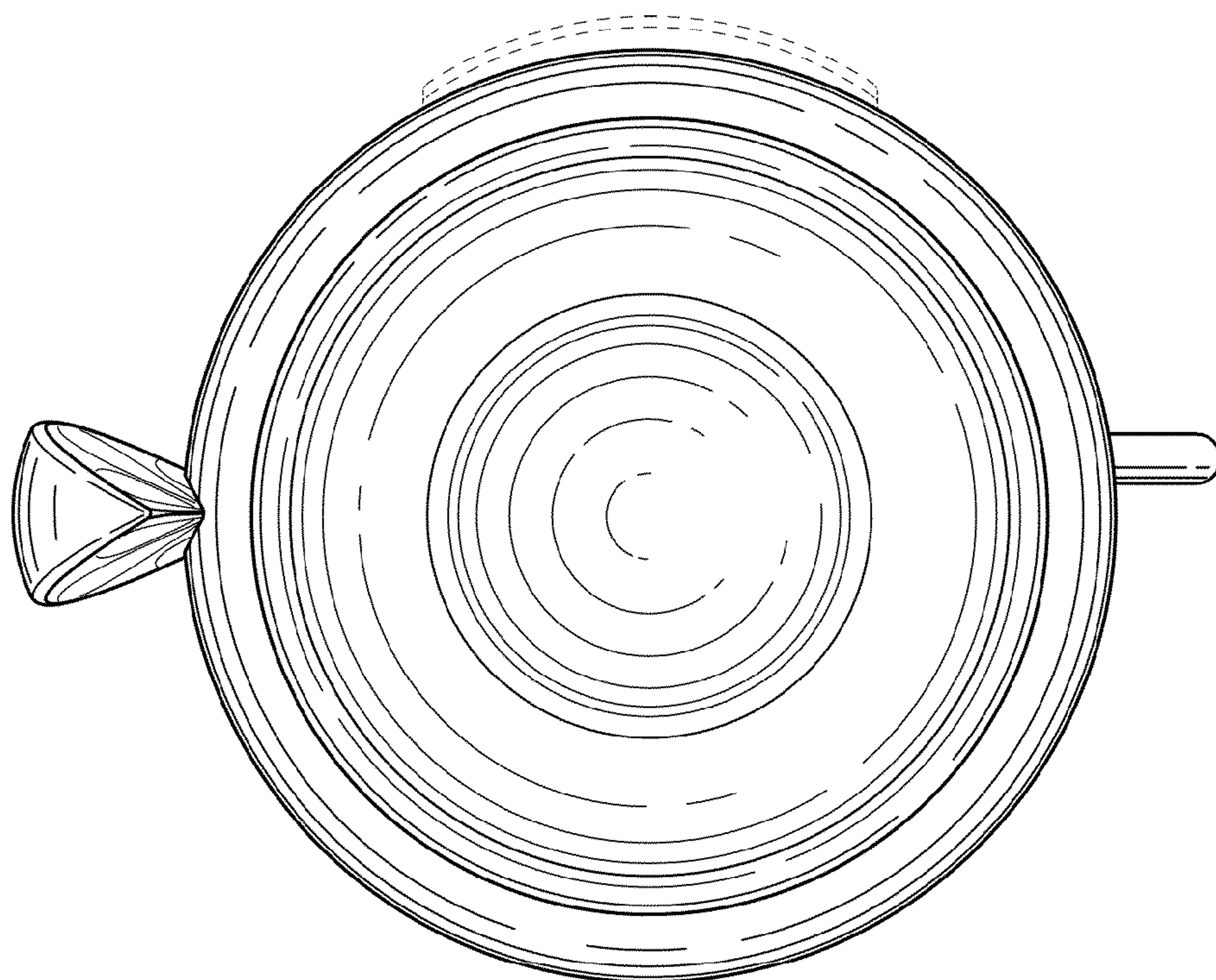


FIG. 7

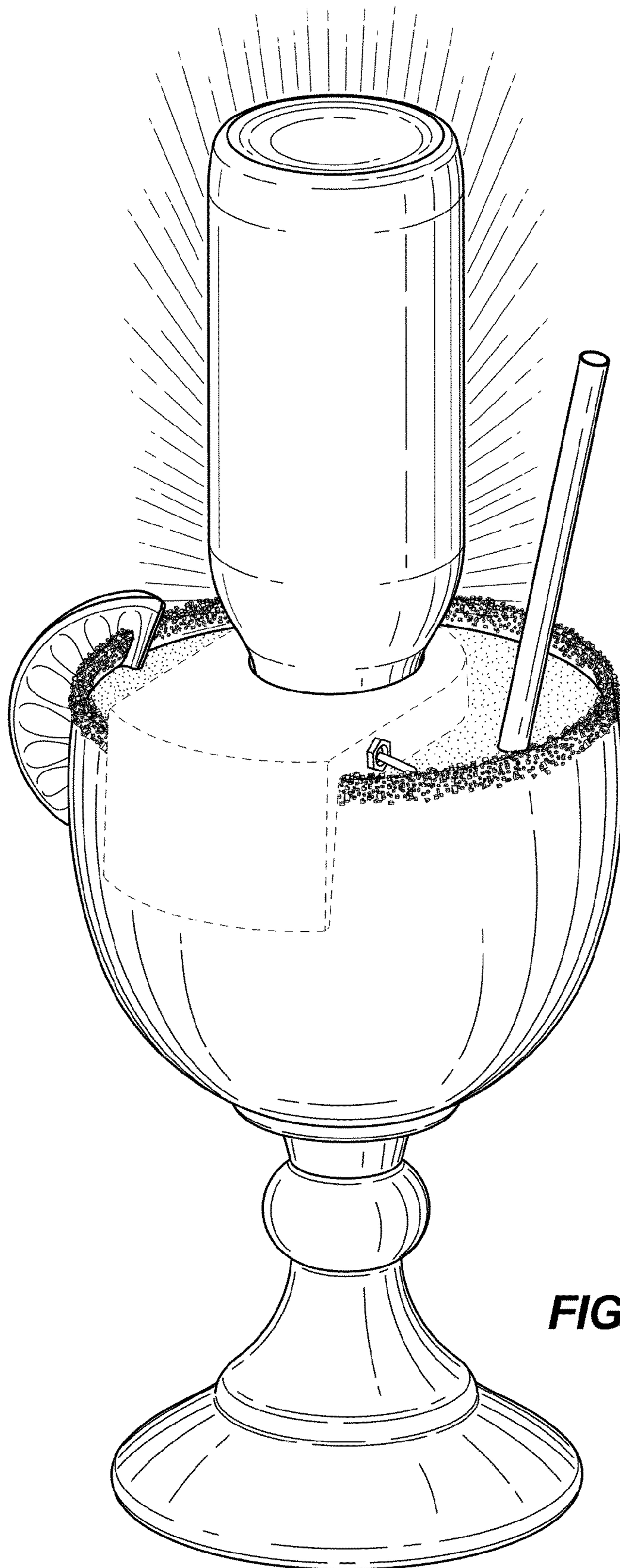


FIG. 8