



US00D731697S

(12) **United States Design Patent**
Johnson

(10) **Patent No.:** **US D731,697 S**
(45) **Date of Patent:** **** Jun. 9, 2015**

- (54) **MARTINI GLASS LIGHT**
- (71) Applicant: **Crown Imports LLC**, Chicago, IL (US)
- (72) Inventor: **Michael Johnson**, Chicago, IL (US)
- (73) Assignee: **CROWN IMPORTS LLC**, Chicago, IL (US)
- (**) Term: **14 Years**
- (21) Appl. No.: **29/457,246**
- (22) Filed: **Jun. 7, 2013**
- (51) **LOC (10) Cl.** **26-03**
- (52) **U.S. Cl.**
USPC **D26/94; D26/73**
- (58) **Field of Classification Search**
USPC D26/73, 93-101, 142, 146, 147, 156;
D11/153, 160; D20/29; 362/124, 410,
362/412, 644, 653, 806
CPC F21S 6/002
See application file for complete search history.

- D509,608 S * 9/2005 Brady D26/26
- D523,568 S * 6/2006 Brady D26/26
- D650,691 S 12/2011 Miller
- D650,692 S 12/2011 Miller
- D663,883 S 7/2012 Johnson
- 2012/0234845 A1 9/2012 Miller

* cited by examiner

Primary Examiner — Clare E Heflin

(74) *Attorney, Agent, or Firm* — Michael Best & Friedrich LLP

(57) **CLAIM**

I claim the ornamental design for a martini glass light, as shown and described.

DESCRIPTION

FIG. 1 is a perspective view of a martini glass light embodying the invention.

FIG. 2 is a left side view of the martini glass light shown in FIG. 1.

FIG. 3 is a right side view of the martini glass light shown in FIG. 1.

FIG. 4 is a front view of the martini glass light shown in FIG. 1.

FIG. 5 is a rear view of the martini glass light shown in FIG. 1.

FIG. 6 is a top view of the martini glass light shown in FIG. 1.

FIG. 7 is a bottom view of the martini glass light shown in FIG. 1; and,

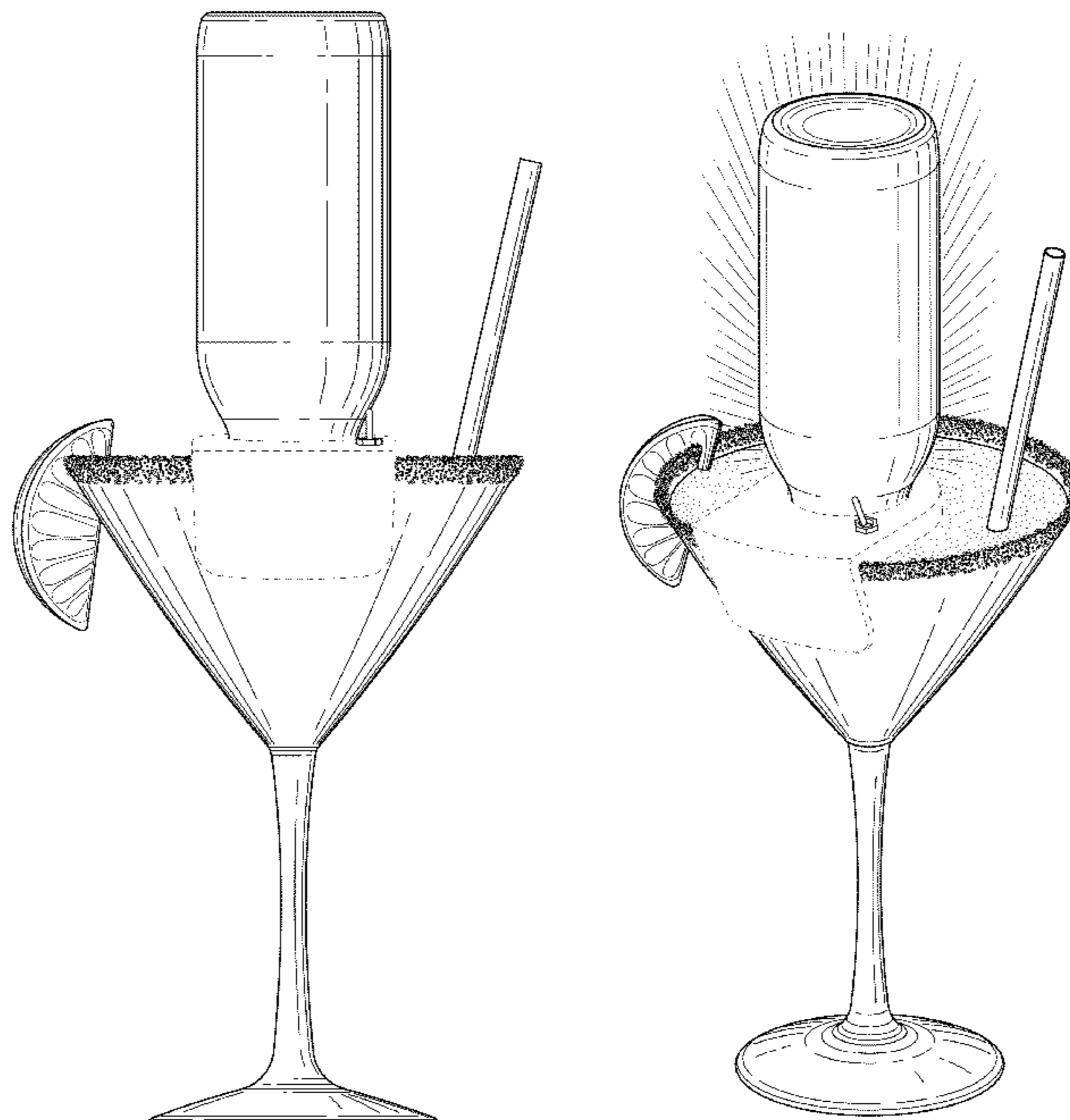
FIG. 8 is a perspective view of the martini glass light shown in FIG. 1, illustrating the martini glass light as lit. The broken lines showing the environment form no part of the claimed design.

(56) **References Cited**

U.S. PATENT DOCUMENTS

- D90,777 S * 9/1933 Lippard D26/73
- D90,881 S * 10/1933 Gruber D26/73
- D149,979 S * 6/1948 Solstone D6/557
- D197,169 S * 12/1963 Kaufmann D23/201
- D394,323 S * 5/1998 West D26/63
- D429,012 S 8/2000 Petruzzi
- 6,171,101 B1 * 1/2001 Freeman et al. 431/291
- D439,200 S * 3/2001 Shaw D11/157
- D501,949 S * 2/2005 Tang D26/94
- D502,782 S * 3/2005 Tang D26/94
- D508,576 S * 8/2005 Brady D26/26
- D508,743 S * 8/2005 Brady D26/26

1 Claim, 7 Drawing Sheets



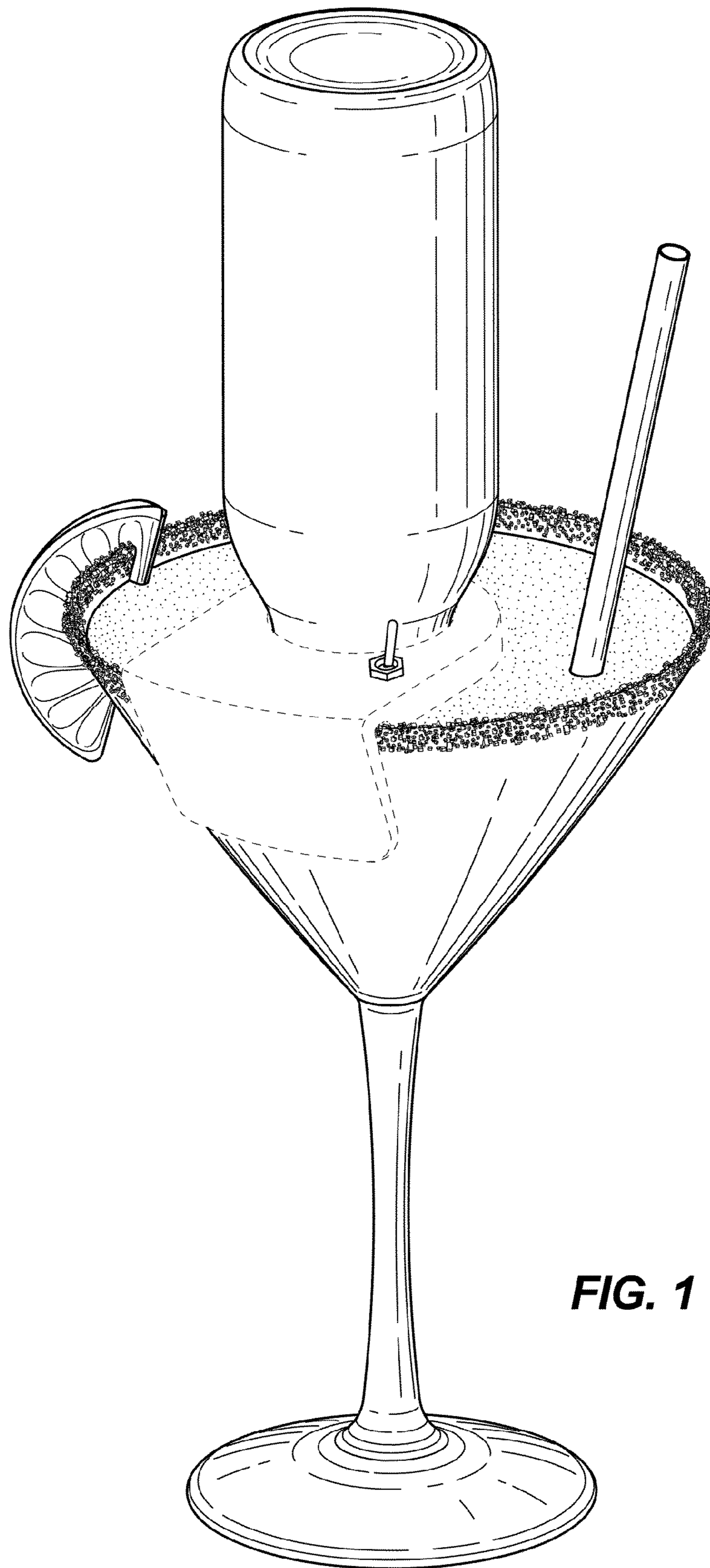


FIG. 1

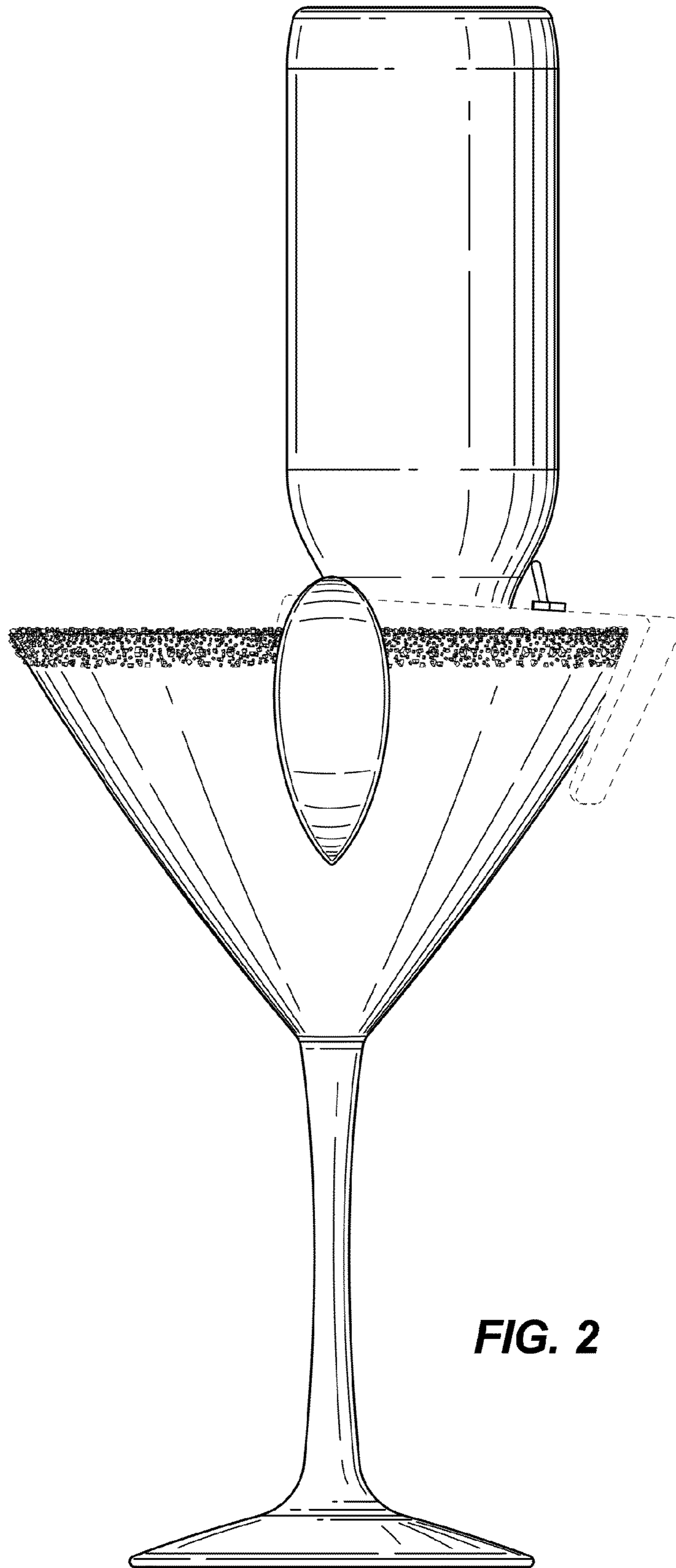


FIG. 2

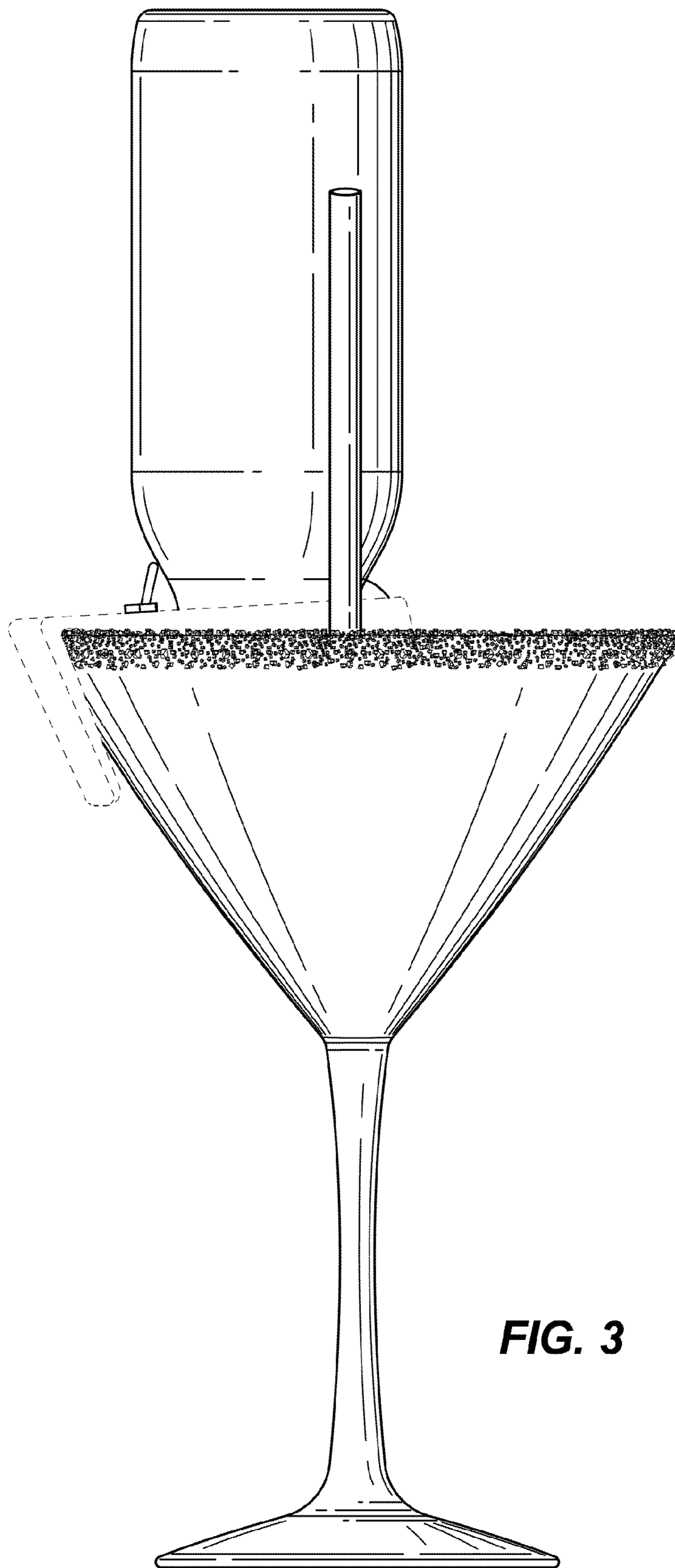


FIG. 3

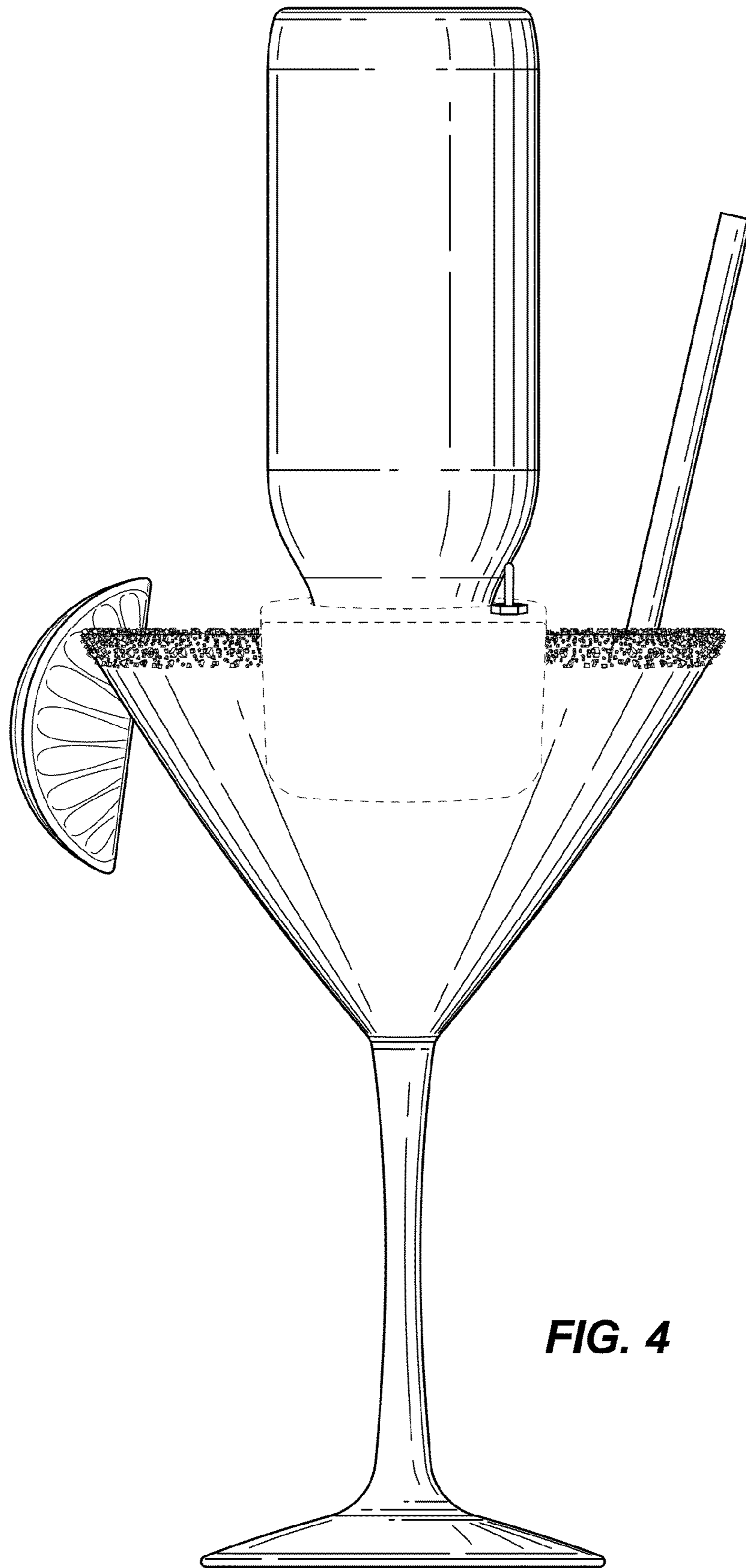


FIG. 4

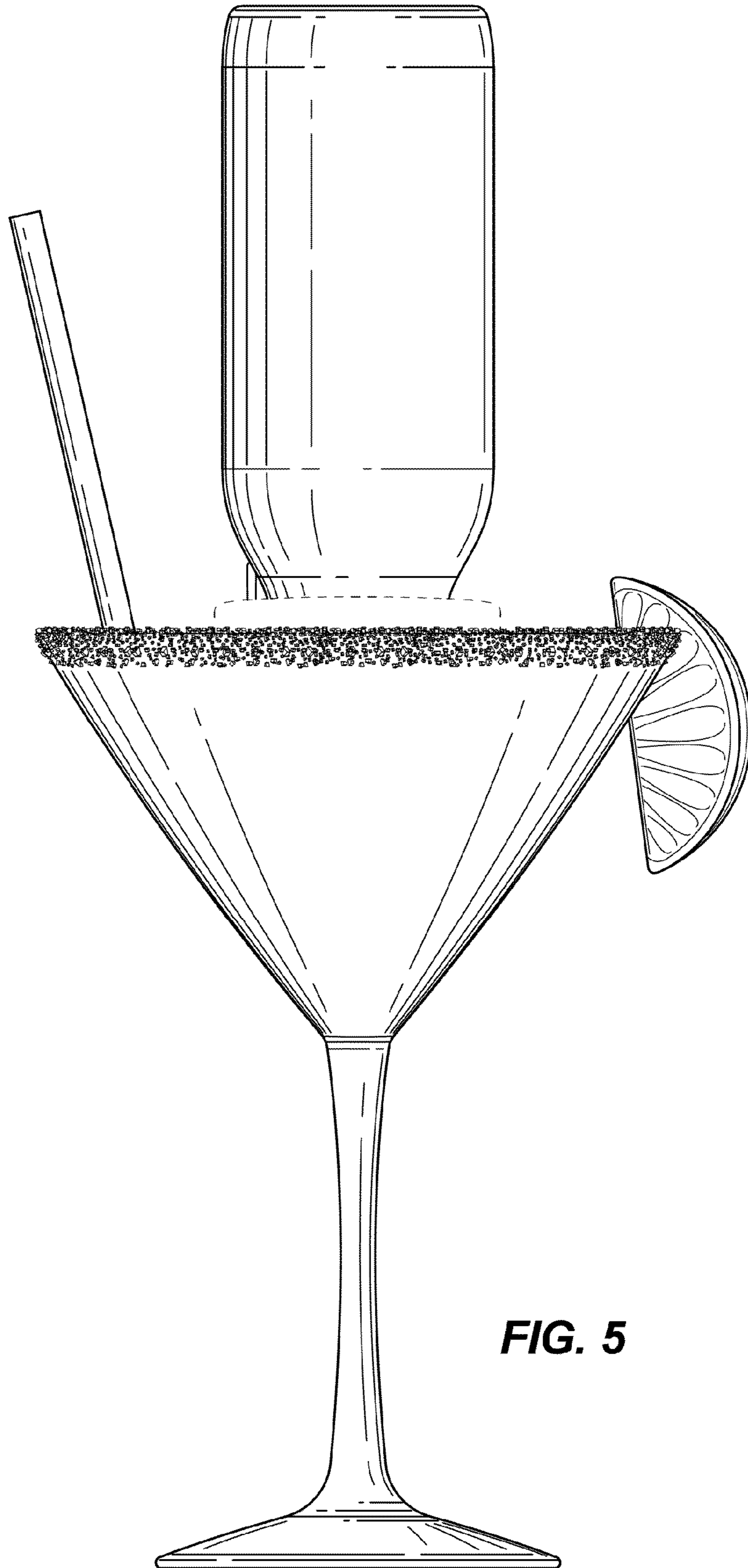


FIG. 5

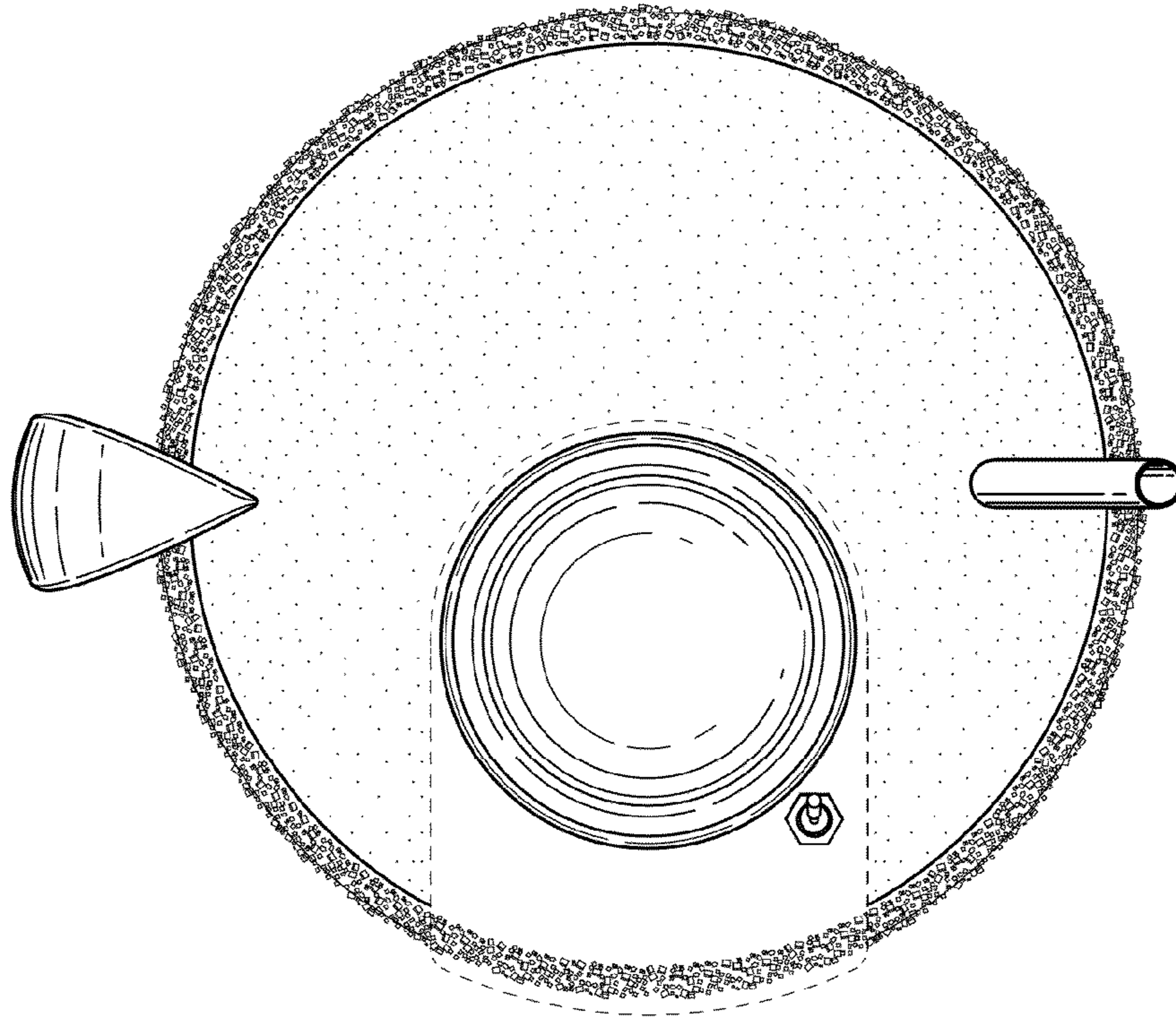


FIG. 6

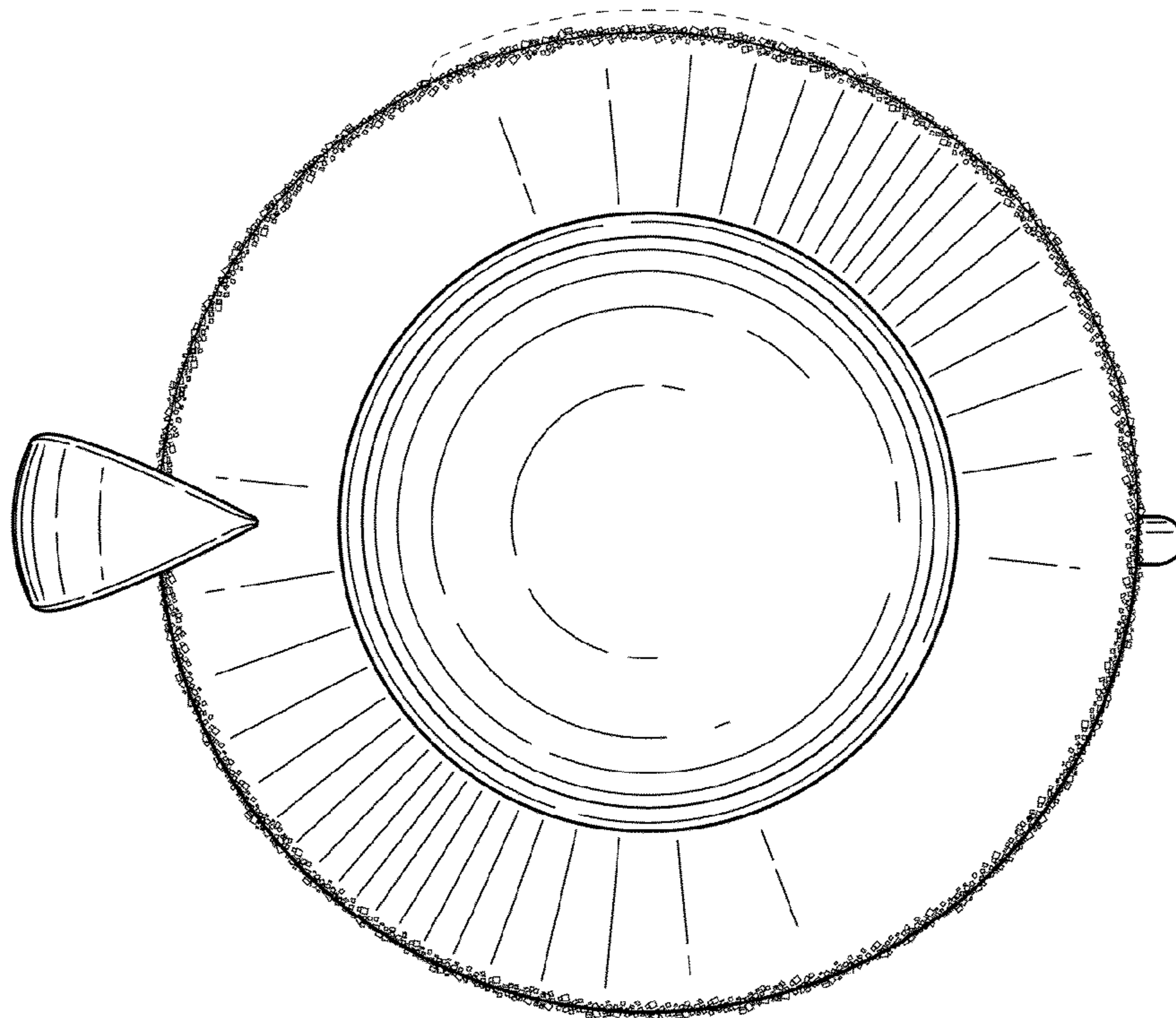


FIG. 7

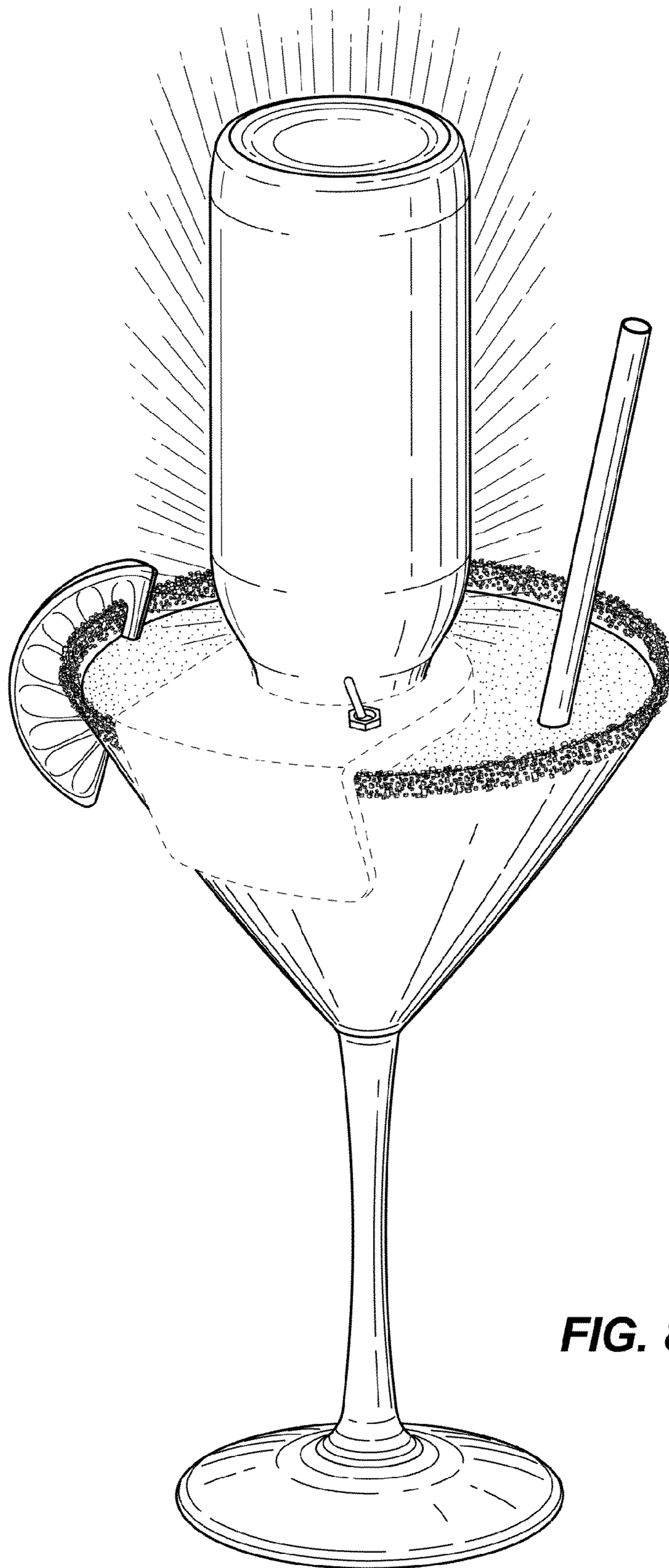


FIG. 8