

US00D731695S

(12) **United States Design Patent**  
**Pyle**

(10) **Patent No.:** **US D731,695 S**  
(45) **Date of Patent:** **\*\* Jun. 9, 2015**

(54) **LAMP**

(71) Applicant: **Hubbardton Forge LLC**, Castleton, VT  
(US)

(72) Inventor: **Zachary Pyle**, North Clarendon, VT  
(US)

(73) Assignee: **Hubbardton, Forge LLC**, Castleton, VT  
(US)

(\*\*) Term: **14 Years**

(21) Appl. No.: **29/502,944**

(22) Filed: **Sep. 22, 2014**

(51) **LOC (10) Cl.** ..... **26-03**

(52) **U.S. Cl.**  
USPC ..... **D26/88**

(58) **Field of Classification Search**  
USPC ..... D26/80-92; 362/147, 404-408  
CPC ..... F21S 8/06; F21S 8/061; F21S 8/063;  
F21S 8/065  
See application file for complete search history.

(56) **References Cited**

**U.S. PATENT DOCUMENTS**

D30,725 S \* 5/1899 Homan ..... D26/88  
D33,392 S \* 10/1900 Gray ..... D26/88

D34,505 S \* 5/1901 McCrea ..... D26/24  
D38,253 S \* 9/1906 Chisholm ..... D26/88  
D38,831 S \* 9/1907 Brooks ..... D26/88  
D39,143 S \* 2/1908 Ryan et al. .... D26/88  
D39,374 S \* 6/1908 Eason ..... D26/88  
D40,015 S \* 5/1909 Meyer ..... D26/88  
D90,017 S \* 5/1933 Bush ..... D26/84  
D307,060 S \* 4/1990 Fraser ..... D26/88  
D342,338 S \* 12/1993 Thun ..... D26/88  
D705,475 S \* 5/2014 Kitts ..... D26/81  
D716,992 S \* 11/2014 Kitts ..... D26/88

\* cited by examiner

*Primary Examiner* — Claire E Heflin

(57) **CLAIM**

The ornamental design for a lamp, as shown and described.

**DESCRIPTION**

FIG. 1 is a perspective view of the lamp according to the present invention;  
FIG. 2 is a front view of the lamp thereof;  
FIG. 3 is a back view of the lamp thereof;  
FIG. 4 is a right view of the lamp thereof;  
FIG. 5 is a left view of the lamp thereof;  
FIG. 6 is a top view of the lamp thereof; and,  
FIG. 7 is a bottom view of the lamp thereof.  
The broken lines shown on the drawings depict portions of the <light fixture> that form no part of the claimed design.

**1 Claim, 6 Drawing Sheets**



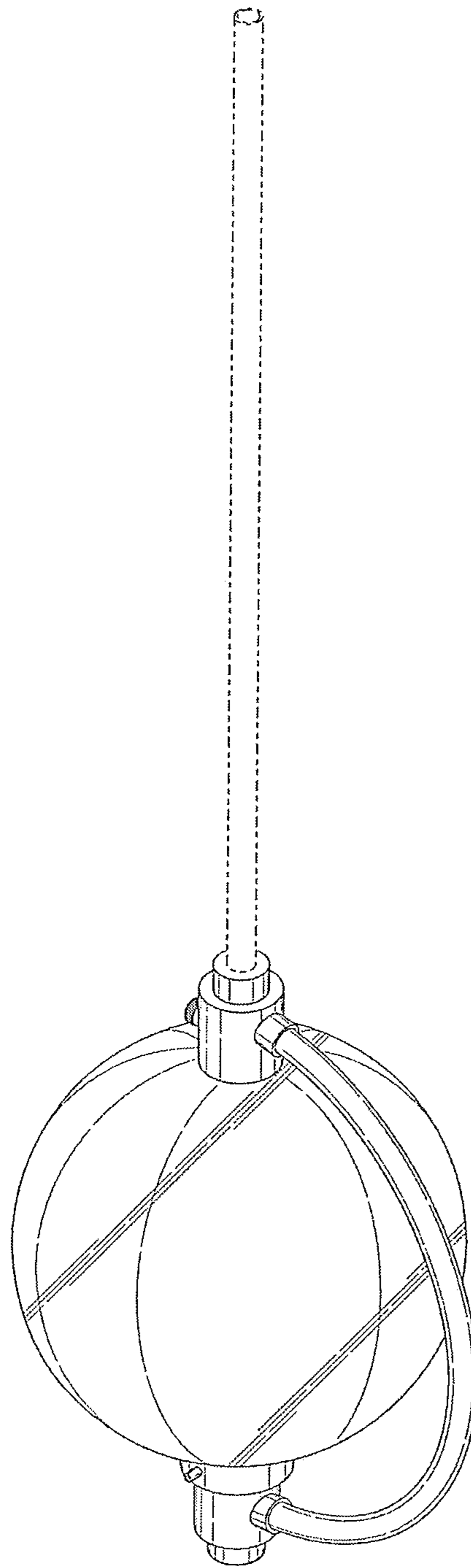


FIG. 1

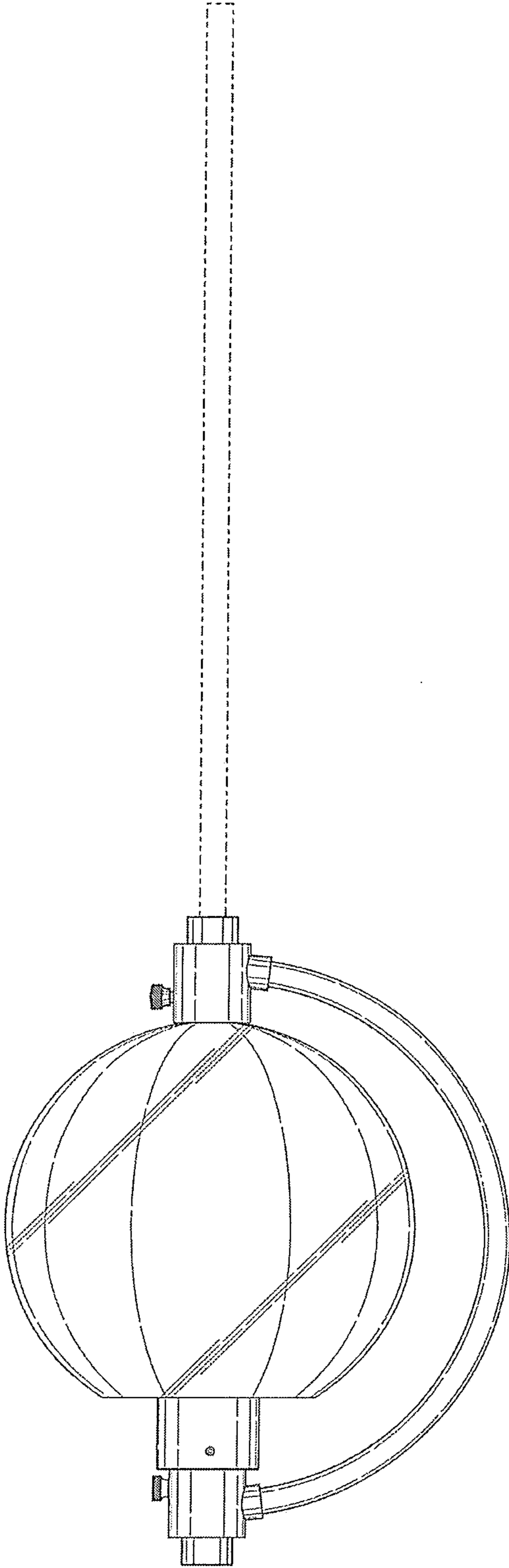


FIG. 2

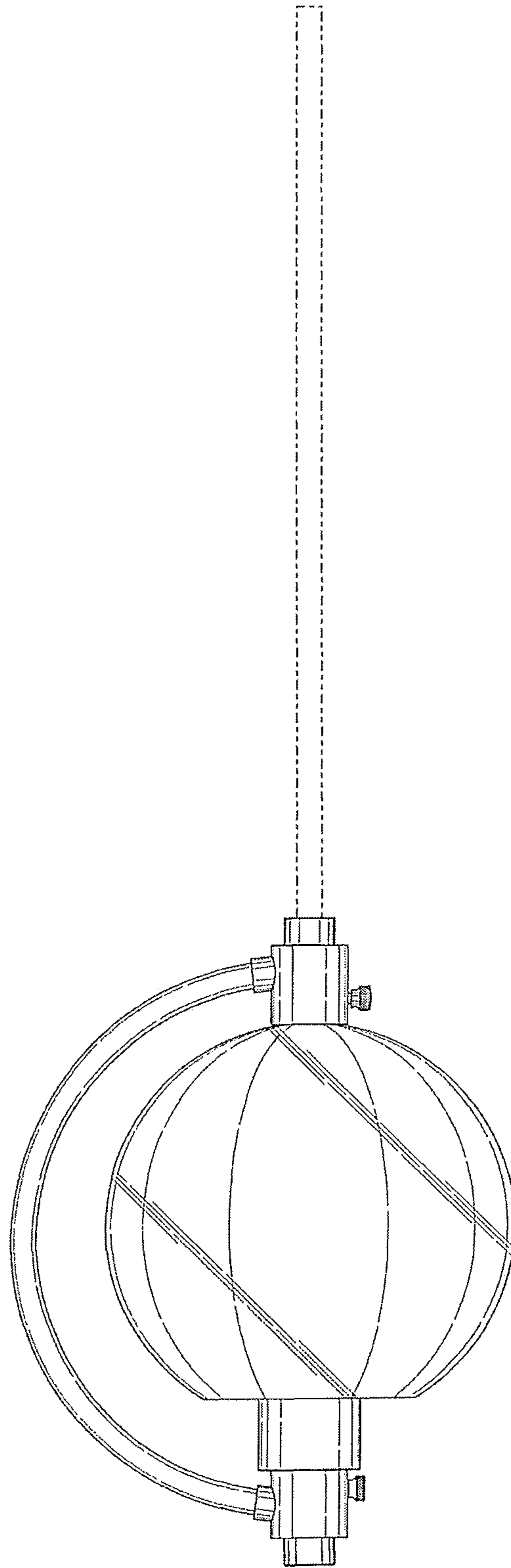


FIG. 3

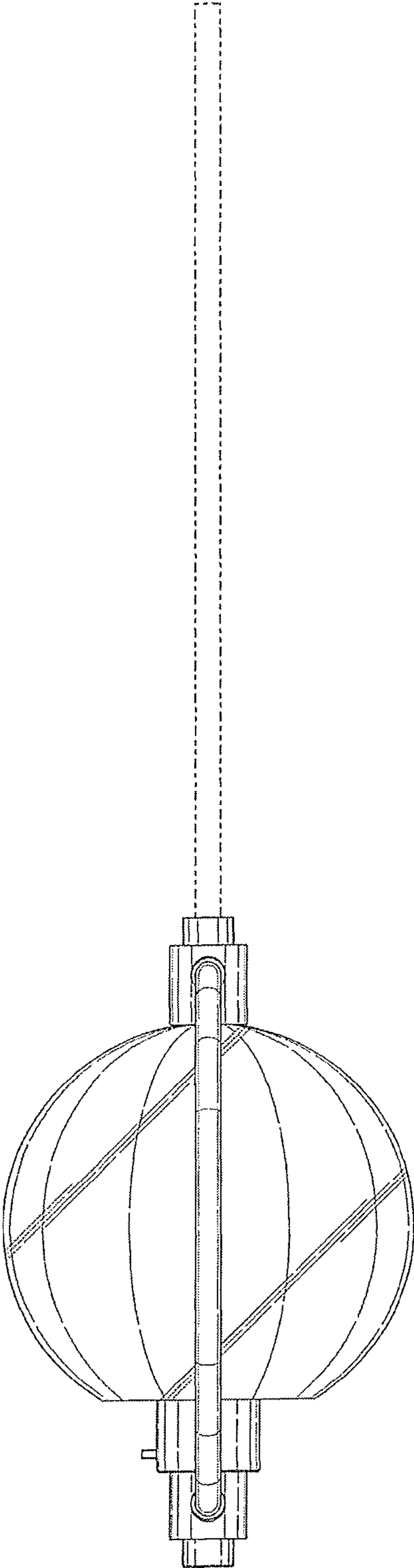


FIG. 4

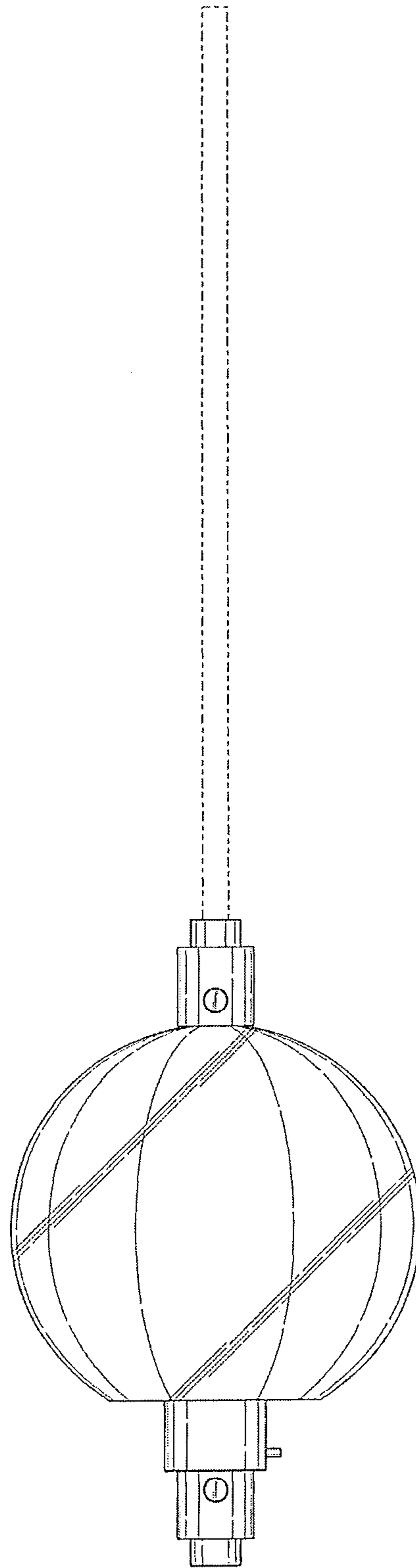


FIG. 5

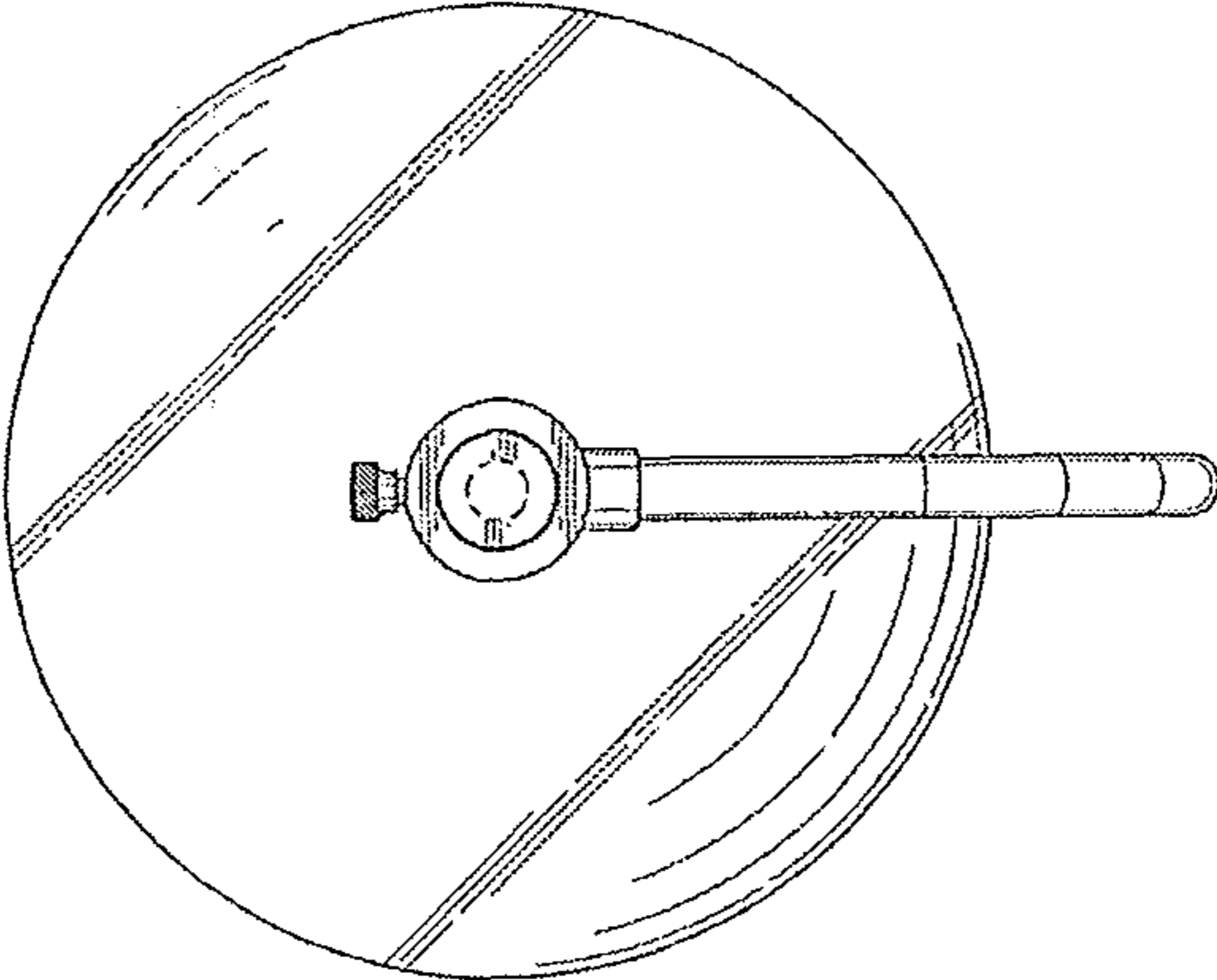


FIG. 6

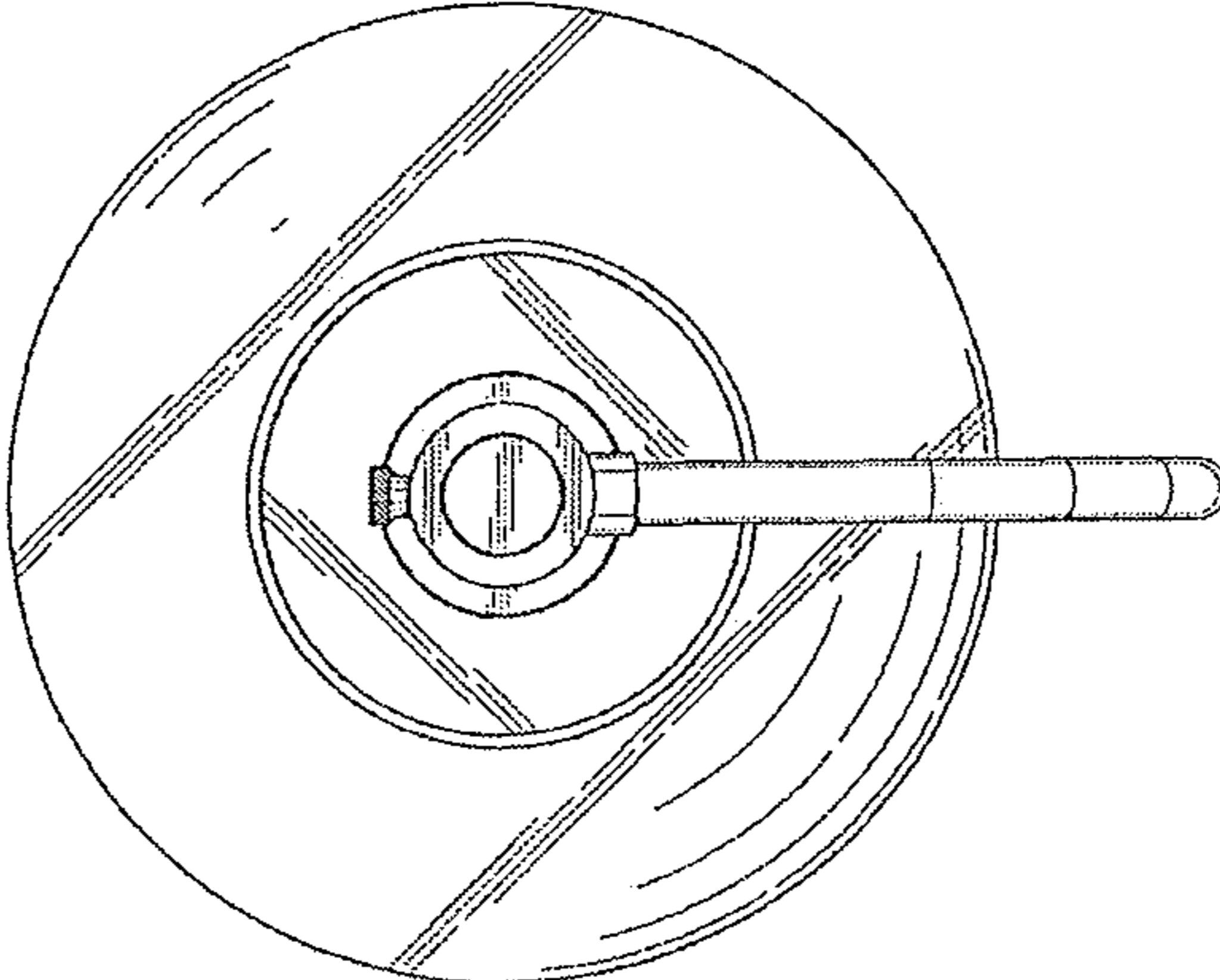


FIG. 7