



US00D731694S

(12) **United States Design Patent**
Tomlinson

(10) **Patent No.:** **US D731,694 S**
(45) **Date of Patent:** **** Jun. 9, 2015**

(54) **LIGHTING FIXTURE**

(71) Applicant: **Hinkley Lighting, Inc.**, Avon Lake, OH (US)

(72) Inventor: **Joel Tomlinson**, Westlake, OH (US)

(73) Assignee: **HINKLEY LIGHTING, INC.**, Avon Lake, OH (US)

(**) Term: **14 Years**

(21) Appl. No.: **29/481,038**

(22) Filed: **Jan. 31, 2014**

Related U.S. Application Data

(62) Division of application No. 29/425,491, filed on Jun. 22, 2012, now Pat. No. Des. 701,634.

(51) **LOC (10) Cl.** **26-03**

(52) **U.S. Cl.**
USPC **D26/85; D26/87; D26/128**

(58) **Field of Classification Search**
USPC **D26/72, 85-92, 128; 362/147, 362/404-408, 432**
See application file for complete search history.

(56) **References Cited**

U.S. PATENT DOCUMENTS

D82,136 S *	9/1930	Chapman	D26/87
D124,182 S *	12/1940	McCann	D26/87
D152,994 S *	3/1949	McCann	D26/87
2,523,818 A *	9/1950	Cortes	362/432
D166,966 S	6/1952	Huegel		
D208,659 S *	9/1967	Koziol	D26/87
4,069,415 A *	1/1978	Dacal	362/263
D383,238 S *	9/1997	Chen	D26/87
D403,097 S *	12/1998	Littman	D26/87
D413,998 S *	9/1999	Littman	D26/87
D465,298 S *	11/2002	Gottwald	D26/85
D563,024 S *	2/2008	Hetfield et al.	D26/72
D589,194 S *	3/2009	Sabernig	D26/67
D611,182 S	3/2010	Allen		
D620,183 S *	7/2010	Sabernig	D26/88
D625,455 S *	10/2010	Sonneman	D26/85

D655,440 S *	3/2012	Sabernig	D26/85
D662,253 S	6/2012	Wauters		
D680,674 S *	4/2013	Jepson	D26/87
D688,413 S *	8/2013	Tomlinson	D26/129

OTHER PUBLICATIONS

Hinkley Lighting, Inc.'s "Union" fixtures from Hinkley Architectural Catalog, Published at least as early as 2006.
Hinkley Lighting, Inc.'s 2009-2010 Catalog, Published Dec. 2008.
Hinkley Lighting, Inc.'s 2011-2012 Catalog, Published Jan. 2011.

* cited by examiner

Primary Examiner — Clare E Heflin

(74) *Attorney, Agent, or Firm* — Pearne & Gordon LLP

(57) **CLAIM**

The ornamental design for a lighting fixture, as shown and described.

DESCRIPTION

FIGS. 1-6 illustrate a first embodiment of the lighting fixture. This fixture has left-to-right symmetry along an imaginary vertical central line drawn through FIG. 4.

FIG. 1 is a perspective view of the first embodiment of the lighting fixture.

FIG. 2 is a top view of the first embodiment of the lighting fixture.

FIG. 3 is a bottom view of the first embodiment of the lighting fixture.

FIG. 4 is a front view of the first embodiment of the lighting fixture.

FIG. 5 is a right side view of the first embodiment of the lighting fixture.

FIG. 6 is a rear view of the first embodiment of the lighting fixture.

FIGS. 7-12 illustrate a second embodiment of the lighting fixture. This fixture has left-to-right symmetry along an imaginary vertical central line drawn through FIG. 10.

FIG. 7 is a perspective view of the second embodiment of the lighting fixture.

FIG. 8 is a top view of the second embodiment of the lighting fixture.

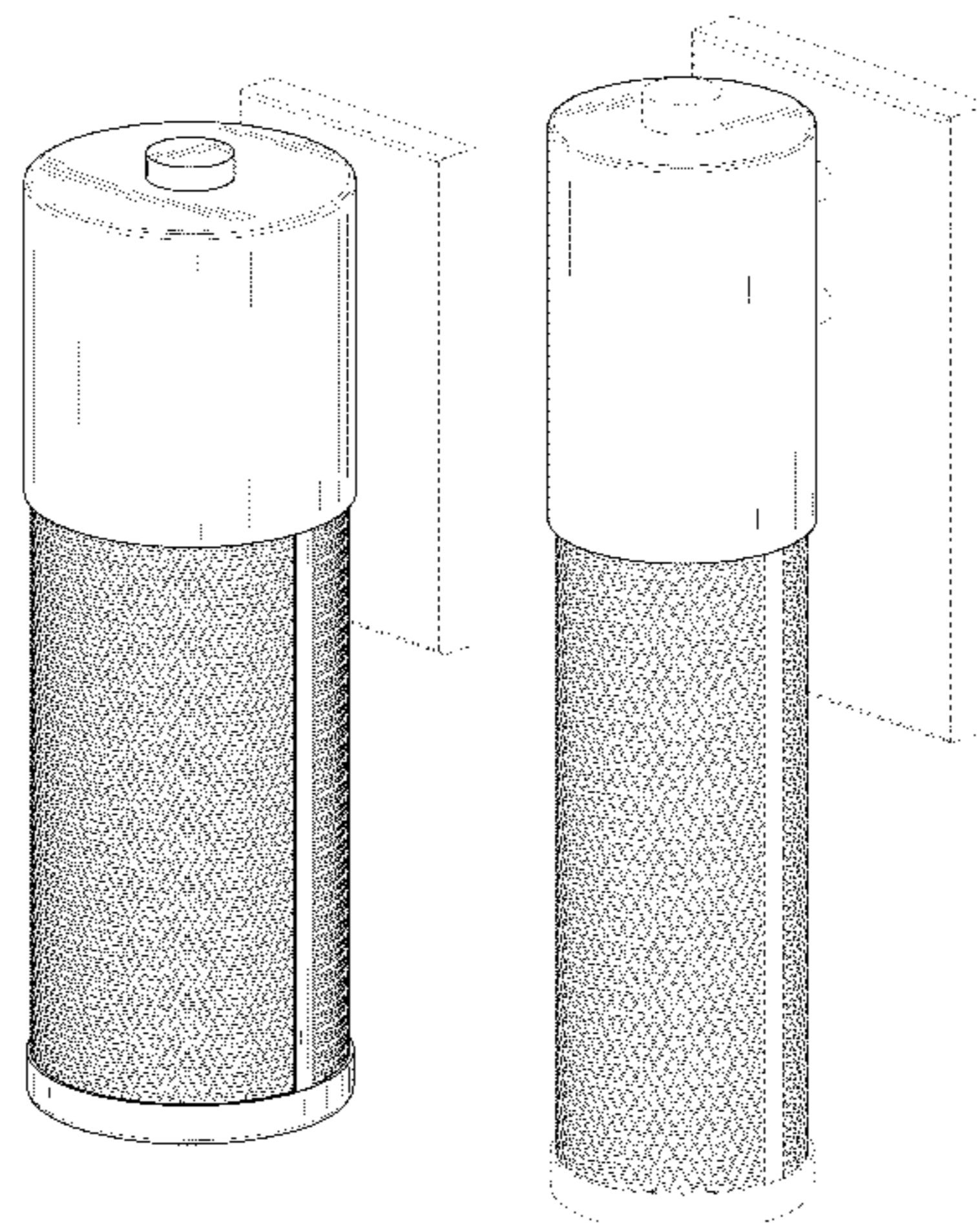


FIG. 9 is a bottom view of the second embodiment of the lighting fixture.

FIG. 10 is a front view of the second embodiment of the lighting fixture.

FIG. 11 is a right side view of the second embodiment of the lighting fixture.

FIG. 12 is a rear view of the second embodiment of the lighting fixture.

FIGS. 13-18 illustrate a third embodiment of the lighting fixture. This fixture has left-to-right symmetry along an imaginary vertical central line drawn through FIG. 16.

FIG. 13 is a perspective view of the third embodiment of the lighting fixture.

FIG. 14 is a top view of the third embodiment of the lighting fixture.

FIG. 15 is a bottom view of the third embodiment of the lighting fixture.

FIG. 16 is a front view of the third embodiment of the lighting fixture.

FIG. 17 is a right side view of the third embodiment of the lighting fixture.

FIG. 18 is a rear view of the third embodiment of the lighting fixture.

FIGS. 19-24 illustrate a fourth embodiment of the lighting fixture. This fixture has left-to-right symmetry along an imaginary vertical central line drawn through FIG. 22.

FIG. 19 is a perspective view of the fourth embodiment of the lighting fixture.

FIG. 20 is a top view of the fourth embodiment of the lighting fixture.

FIG. 21 is a bottom view of the fourth embodiment of the lighting fixture.

FIG. 22 is a front view of the fourth embodiment of the lighting fixture.

FIG. 23 is a right side view of the fourth embodiment of the lighting fixture.

FIG. 24 is a rear view of the fourth embodiment of the lighting fixture.

FIGS. 25-30 illustrate a fifth embodiment of the lighting fixture. This fixture has left-to-right symmetry along an imaginary vertical central line drawn through FIG. 28.

FIG. 25 is a perspective view of the fifth embodiment of the lighting fixture.

FIG. 26 is a top view of the fifth embodiment of the lighting fixture.

FIG. 27 is a bottom view of the fifth embodiment of the lighting fixture.

FIG. 28 is a front view of the fifth embodiment of the lighting fixture.

FIG. 29 is a right side view of the fifth embodiment of the lighting fixture.

FIG. 30 is a rear view of the fifth embodiment of the lighting fixture.

FIGS. 31-36 illustrate a sixth embodiment of the lighting fixture. This fixture has left-to-right symmetry along an imaginary vertical central line drawn through FIG. 34.

FIG. 31 is a perspective view of the sixth embodiment of the lighting fixture.

FIG. 32 is a top view of the sixth embodiment of the lighting fixture.

FIG. 33 is a bottom view of the sixth embodiment of the lighting fixture.

FIG. 34 is a front view of the sixth embodiment of the lighting fixture.

FIG. 35 is a right side view of the sixth embodiment of the lighting fixture; and,

FIG. 36 is a rear view of the sixth embodiment of the lighting fixture.

The broken lines shown on the drawings depict portions of the lighting fixture that form no part of the claimed design.

1 Claim, 18 Drawing Sheets

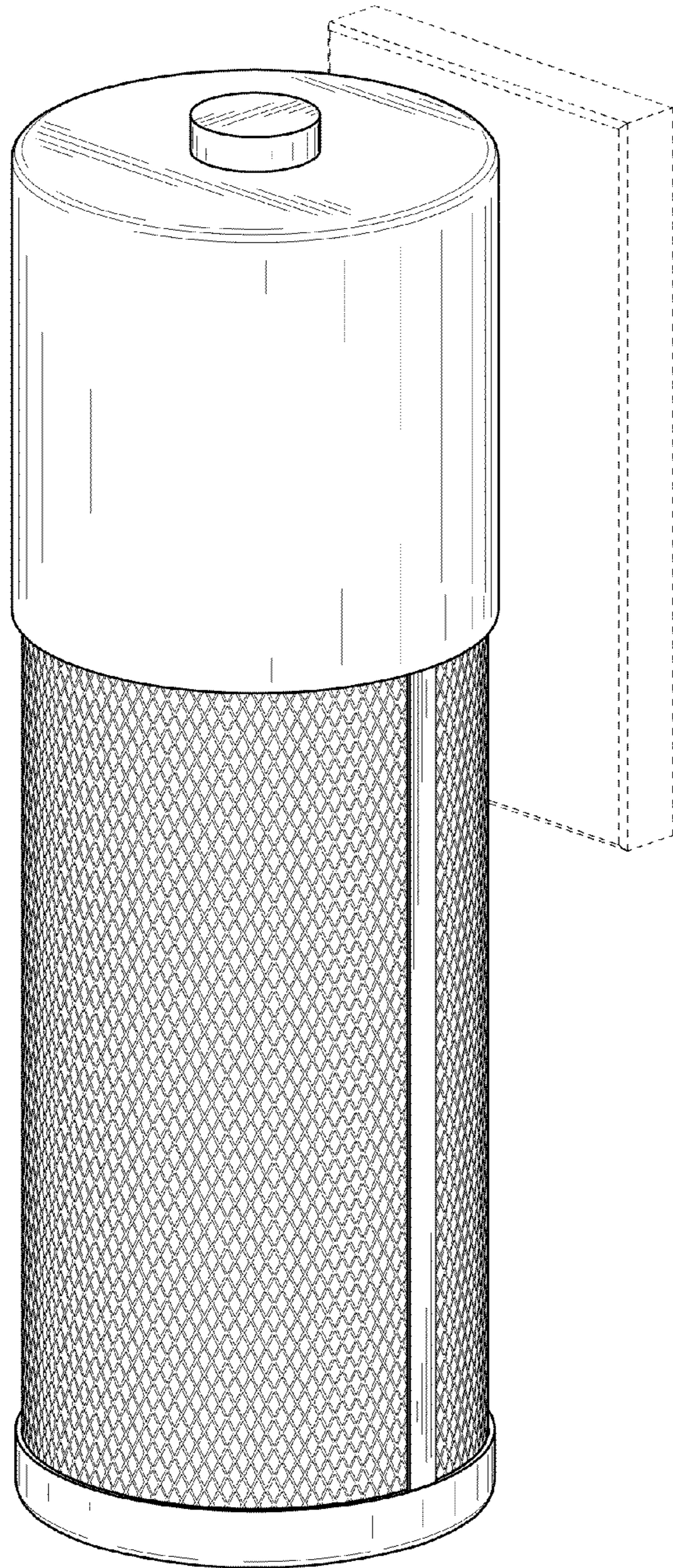


Fig. 1

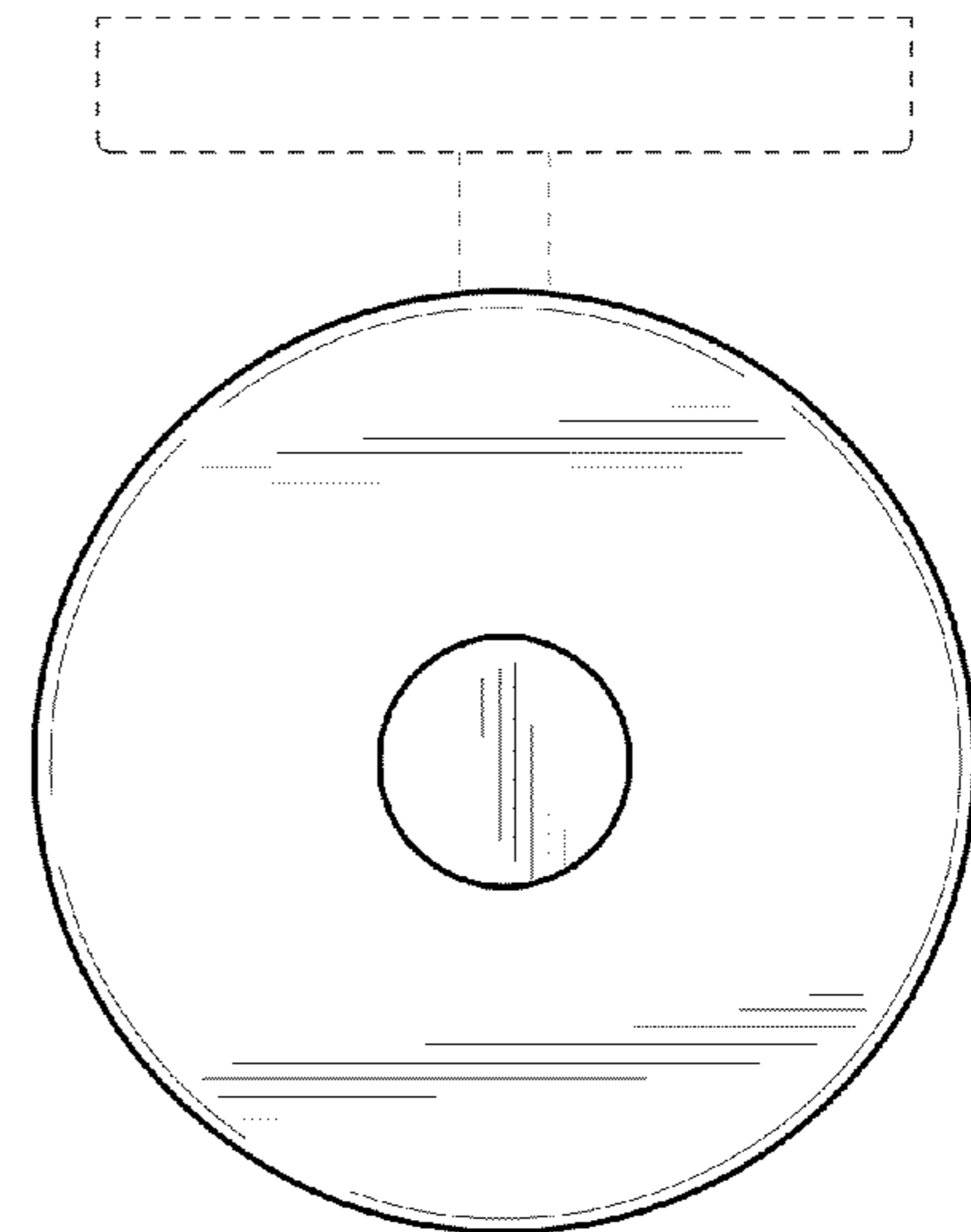


Fig. 2

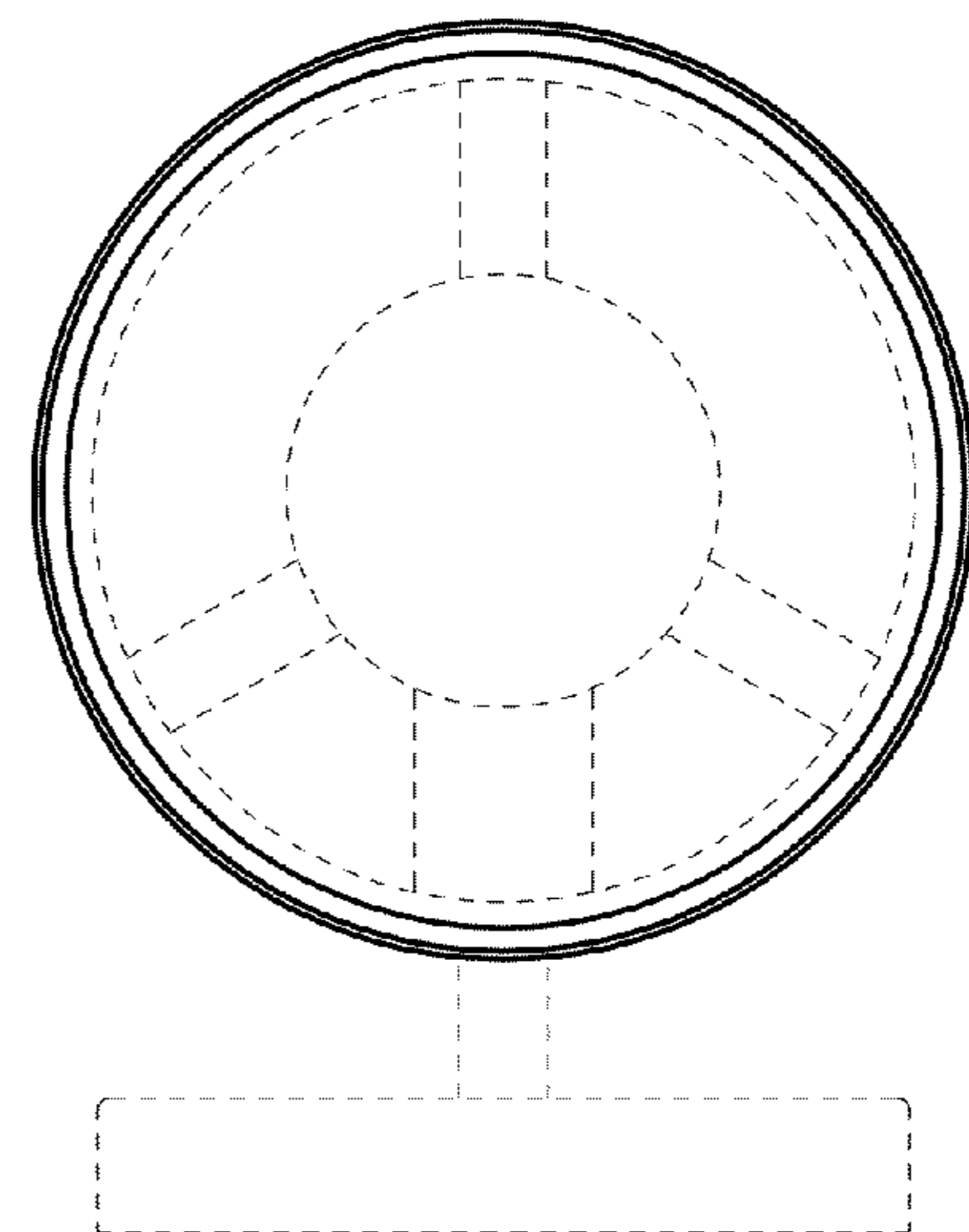


Fig. 3

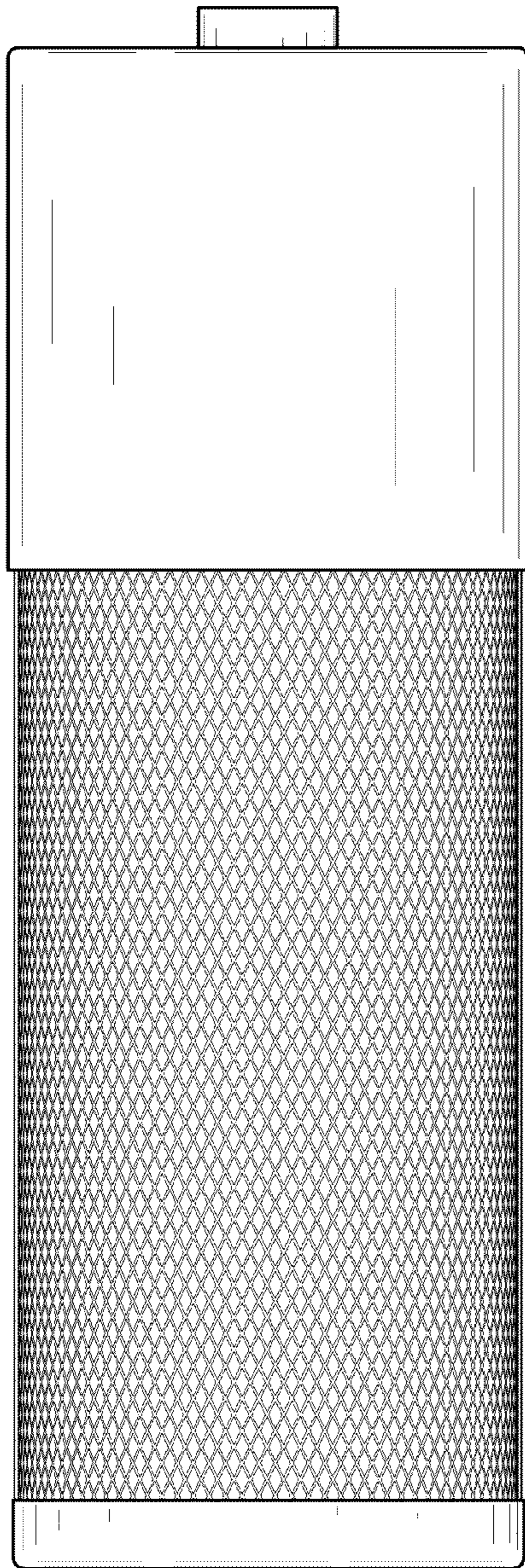


Fig. 4

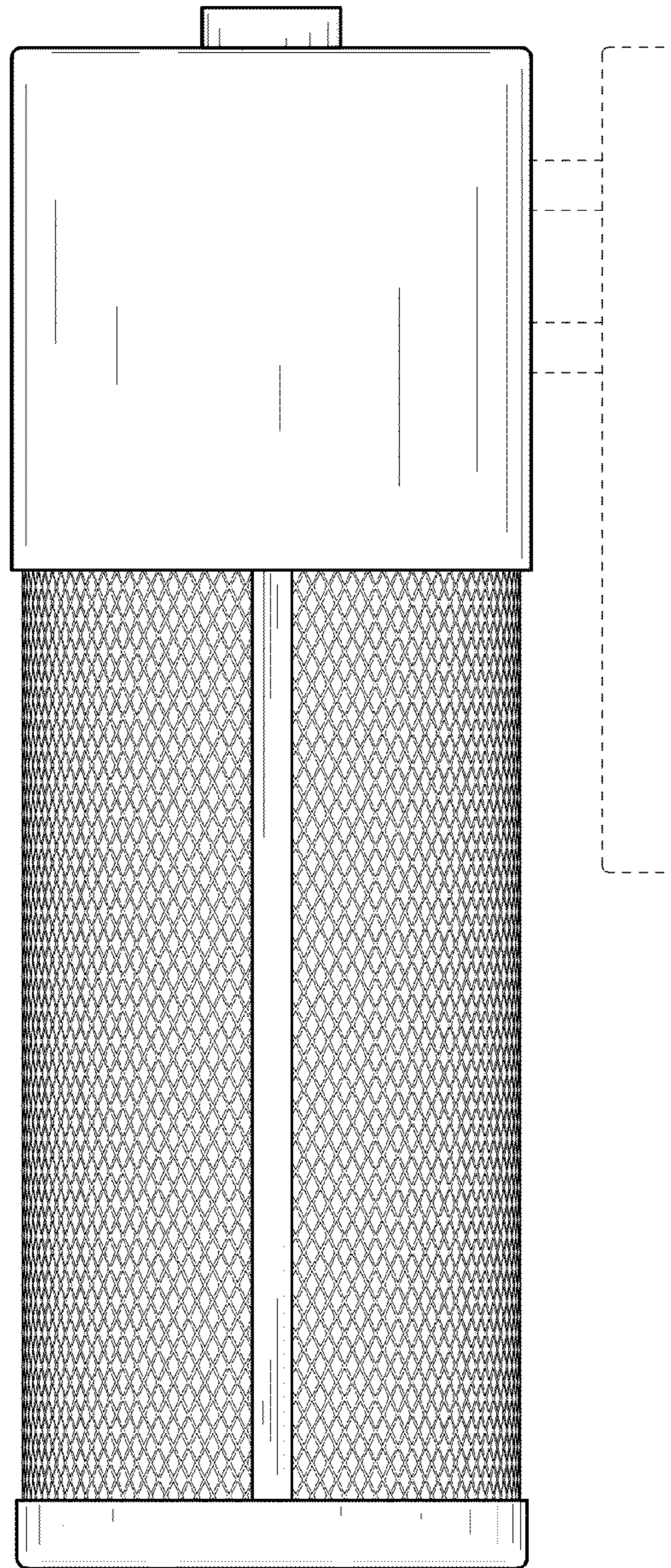


Fig. 5

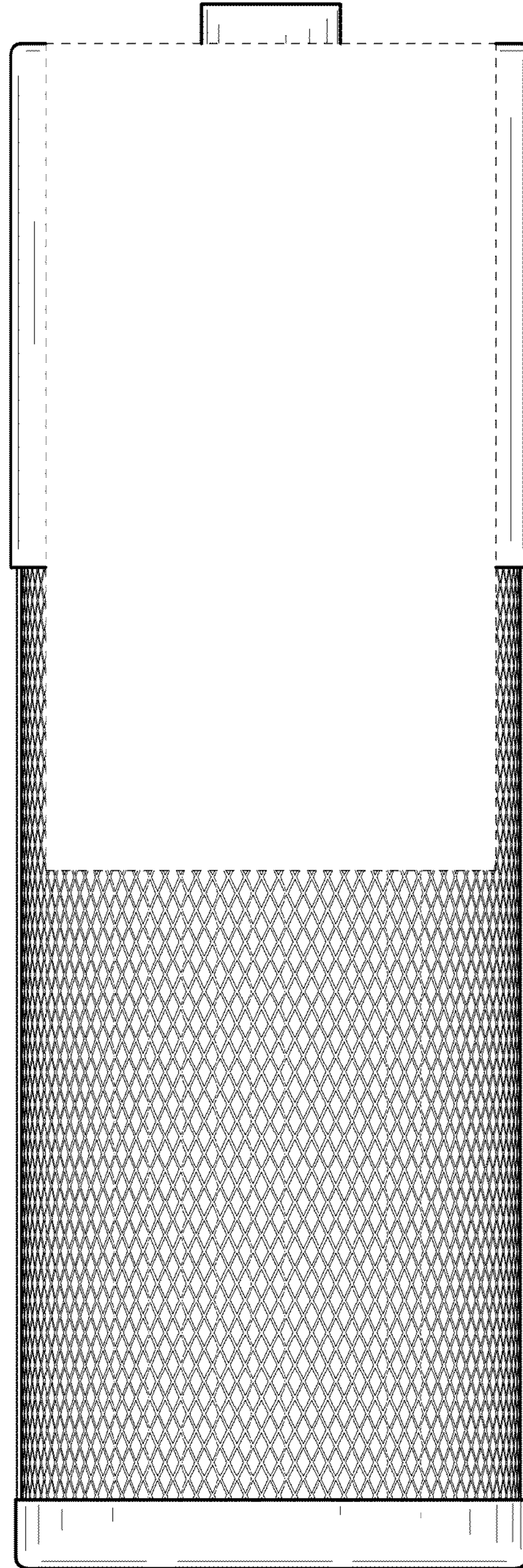


Fig. 6

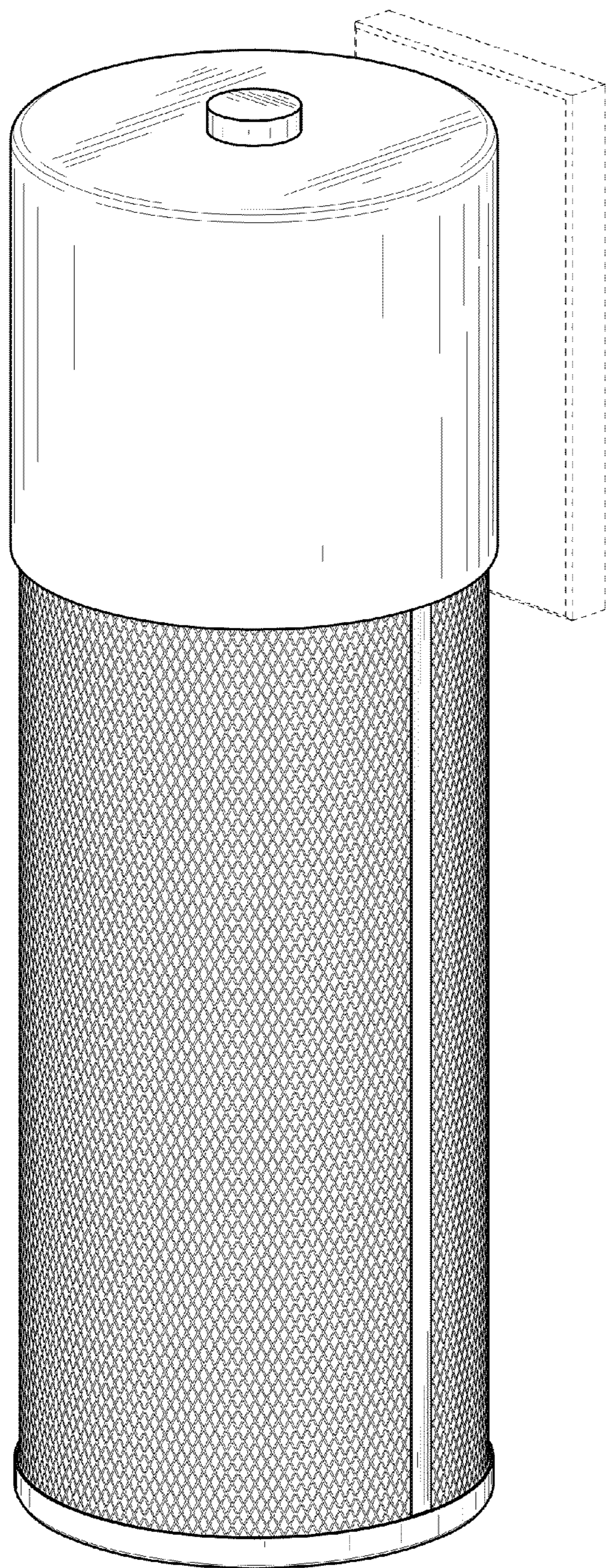


Fig. 7

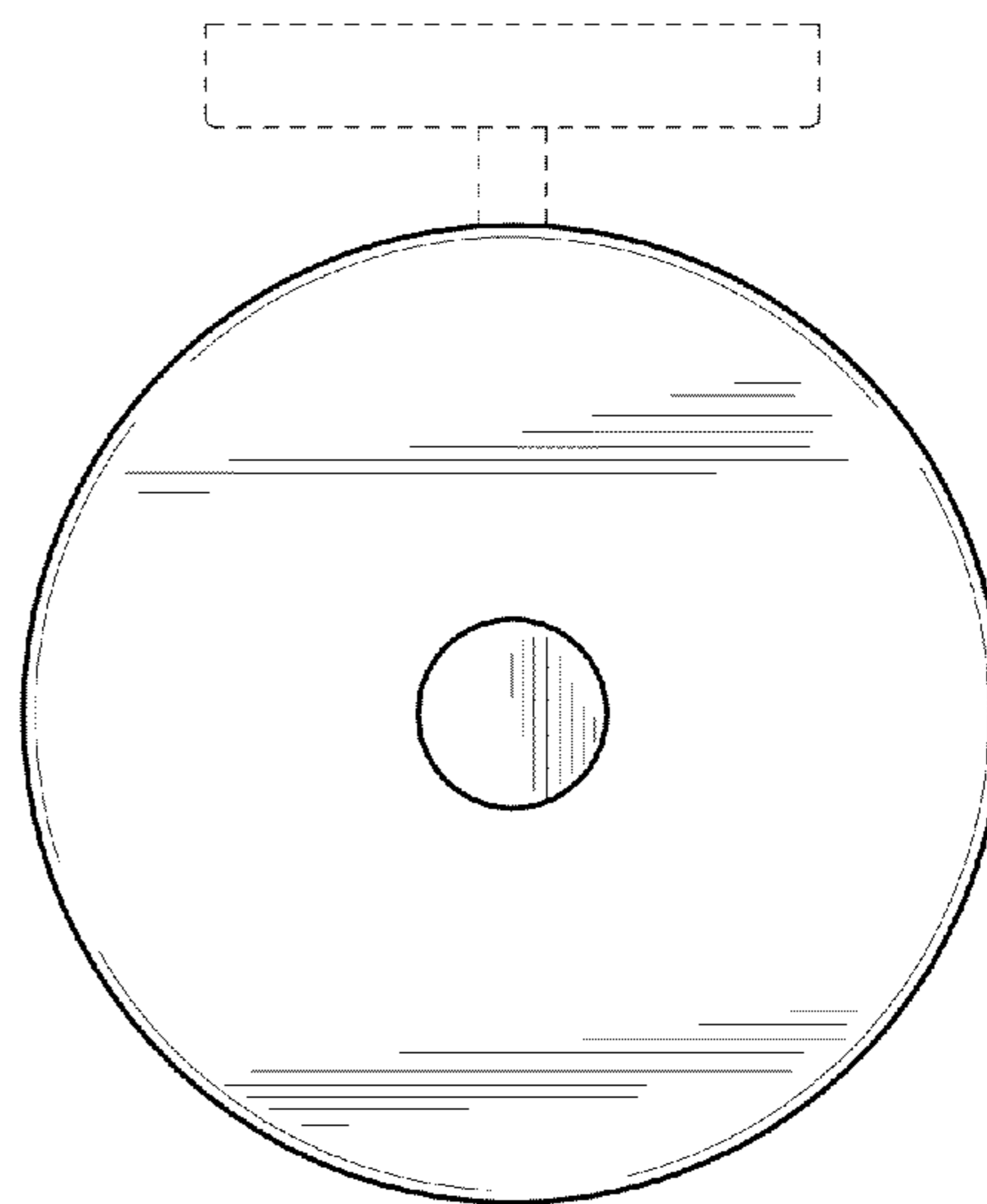


Fig. 8

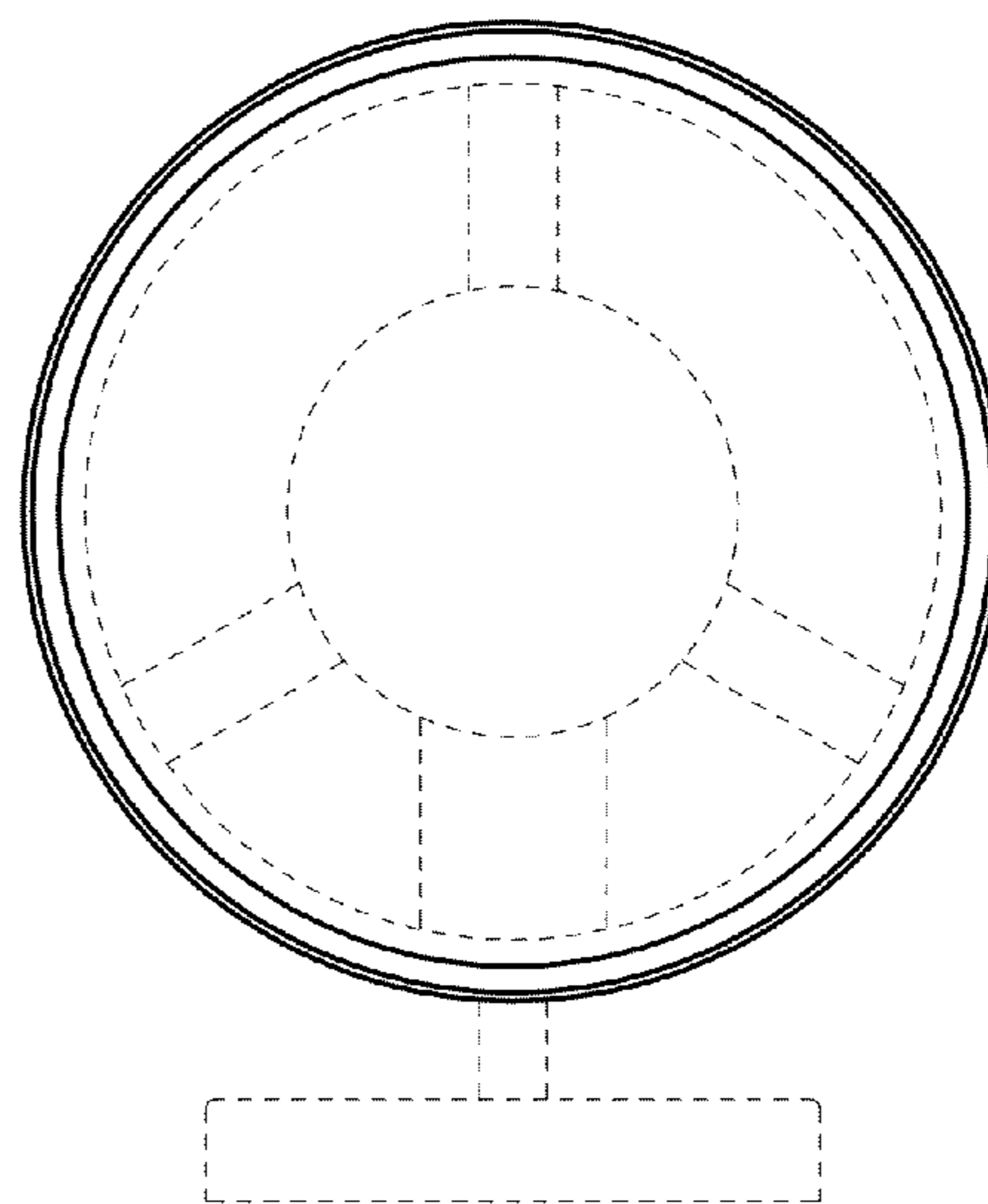


Fig. 9

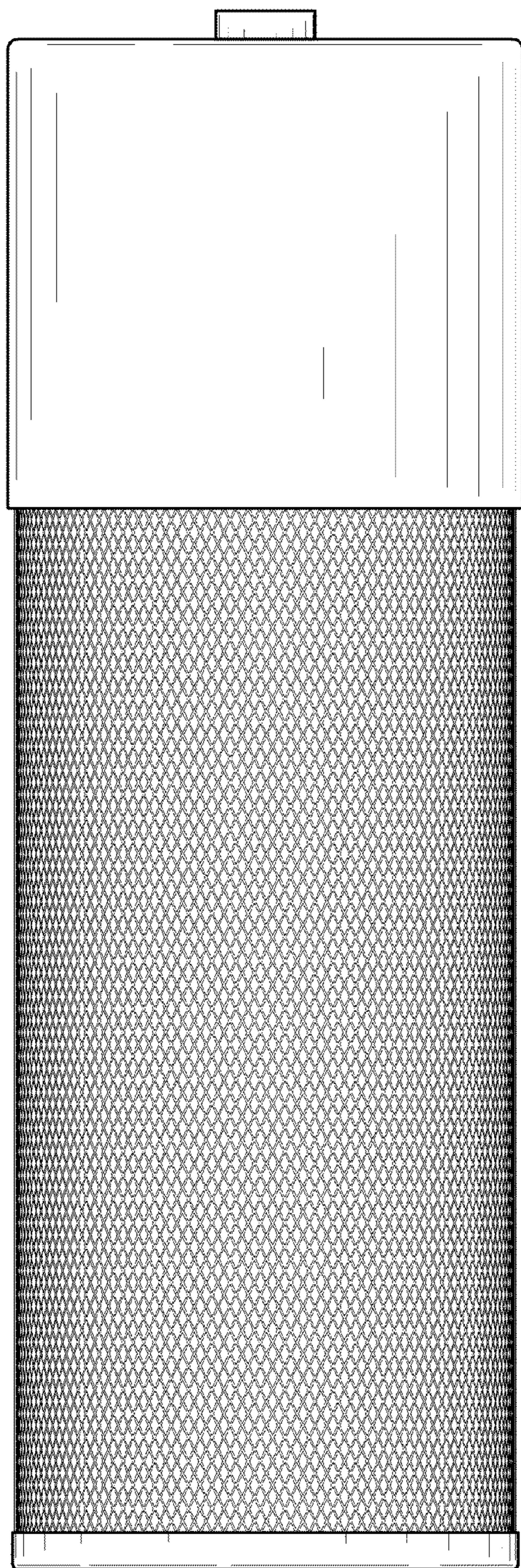


Fig. 10

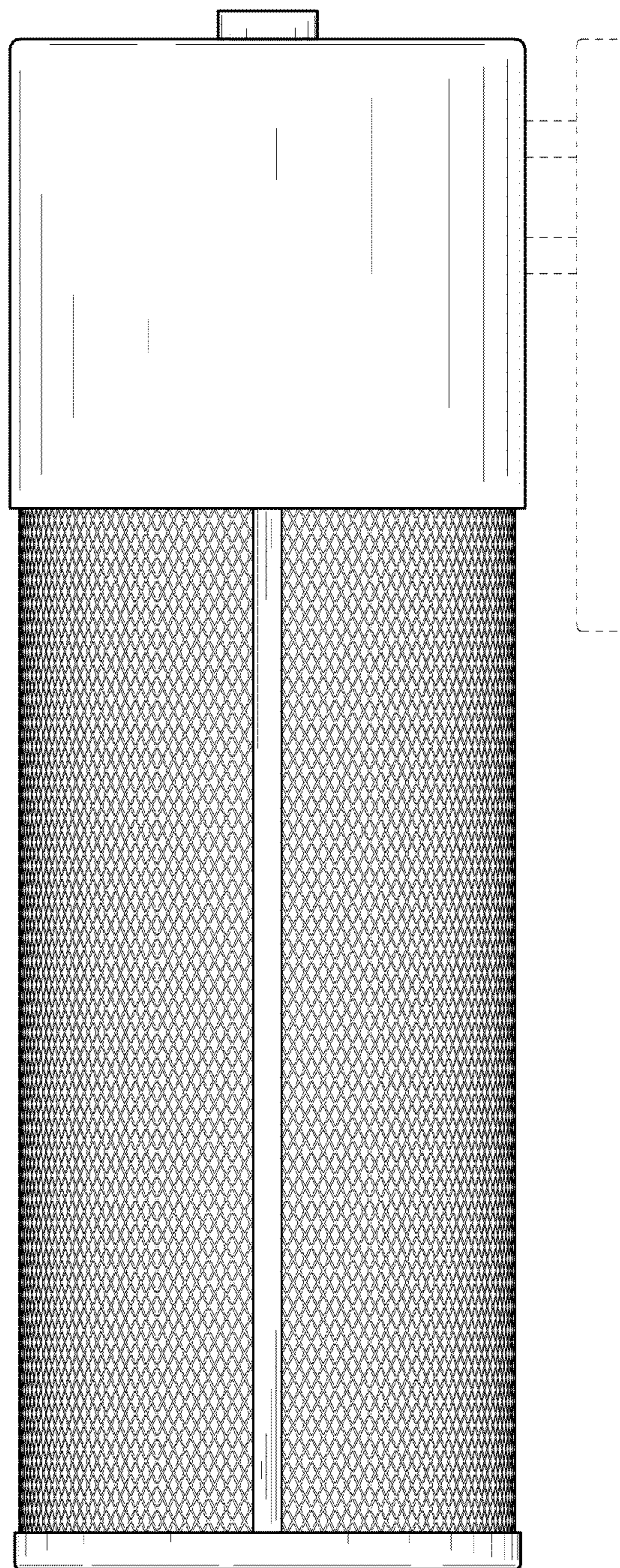


Fig. 11

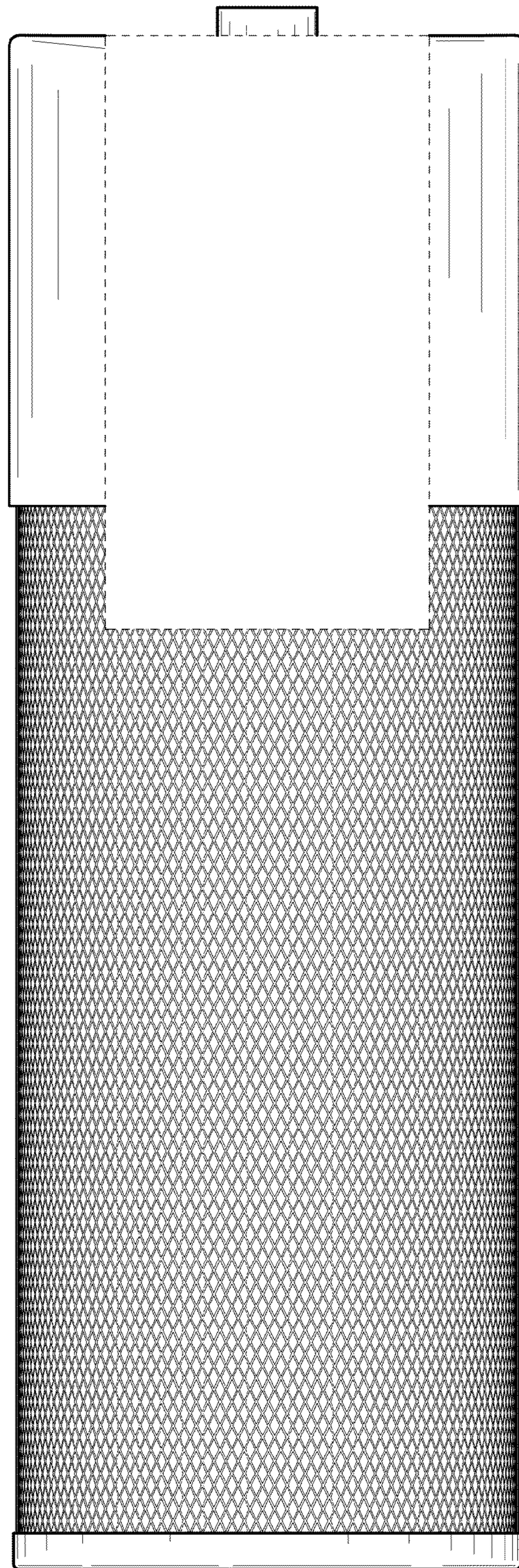


Fig. 12

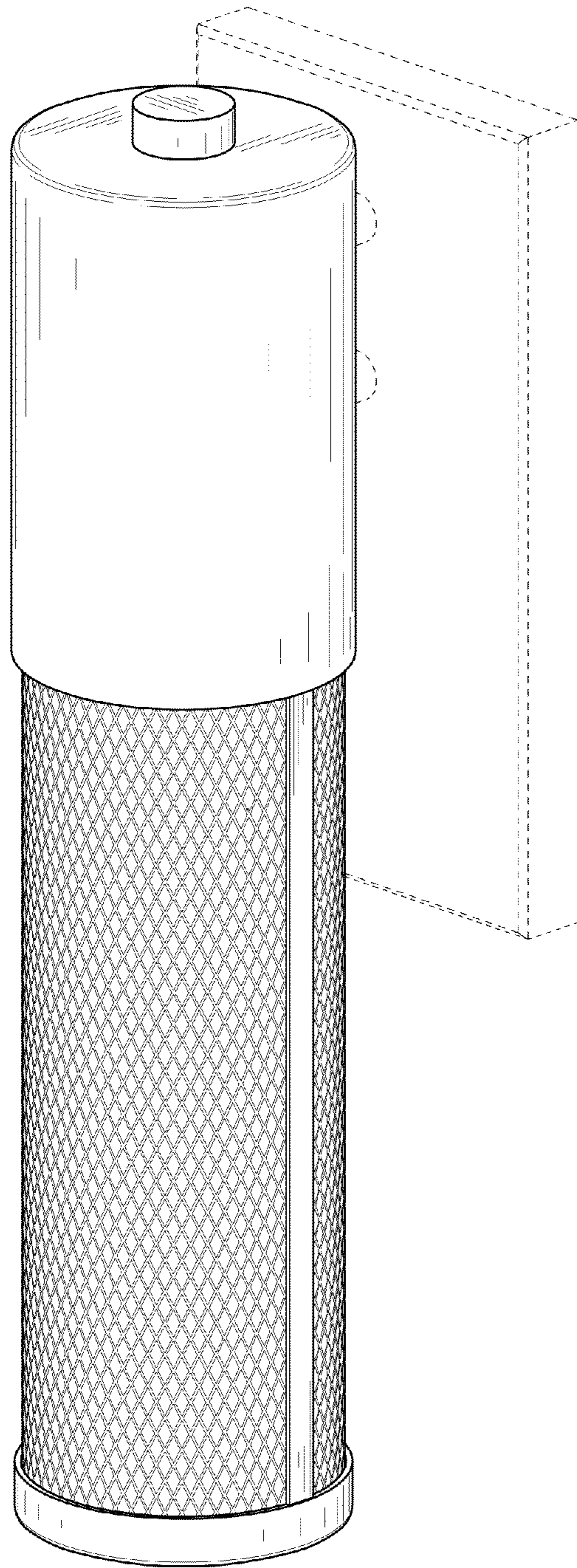


FIG. 13

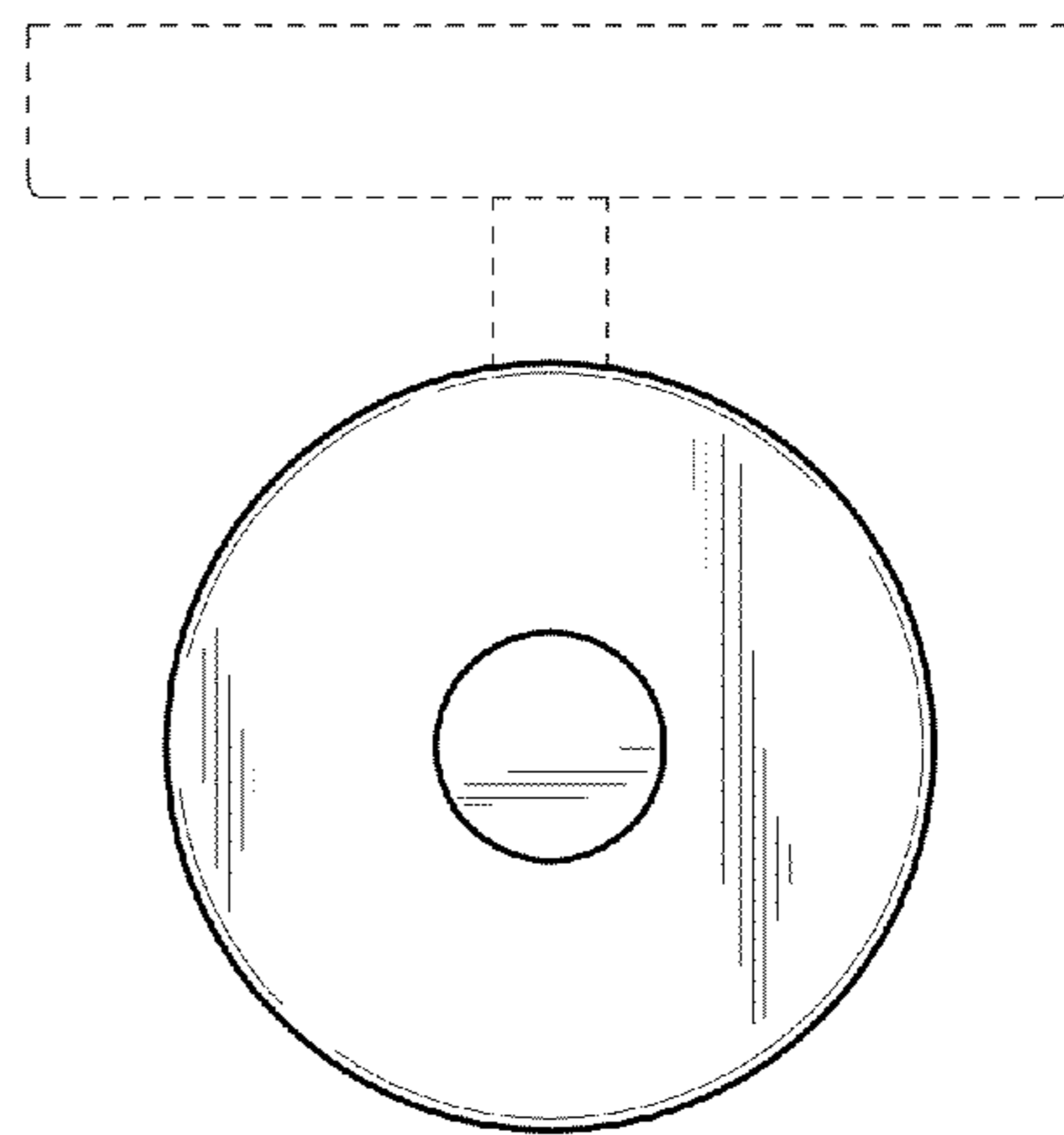


FIG. 14

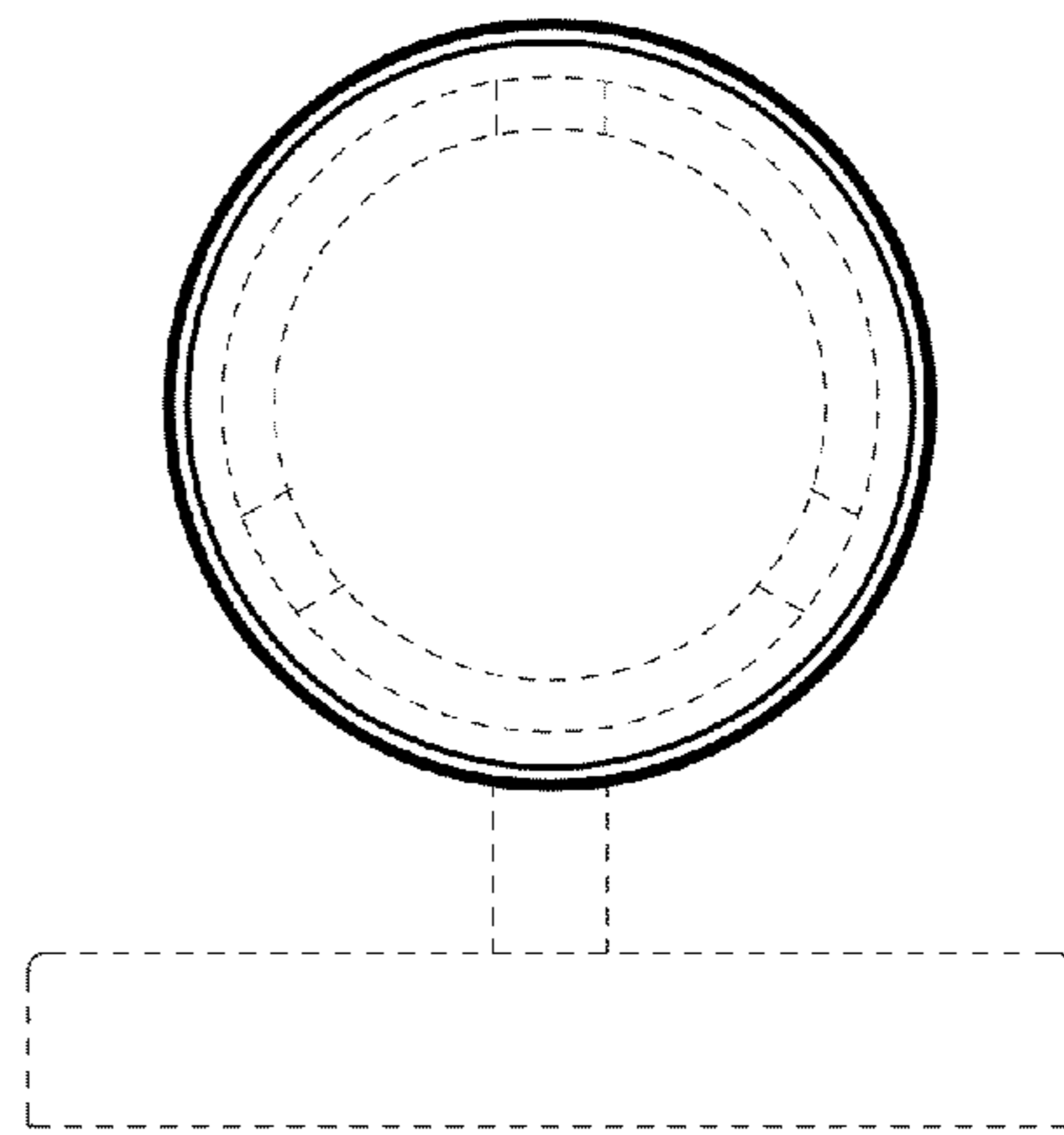


FIG. 15

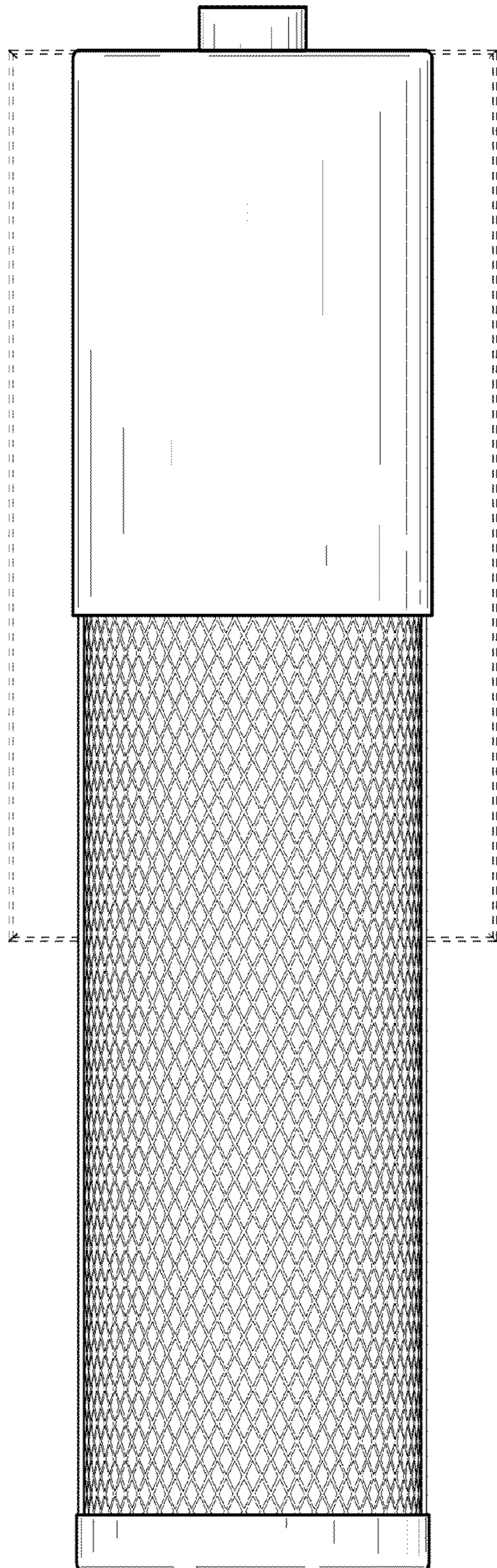


FIG. 16

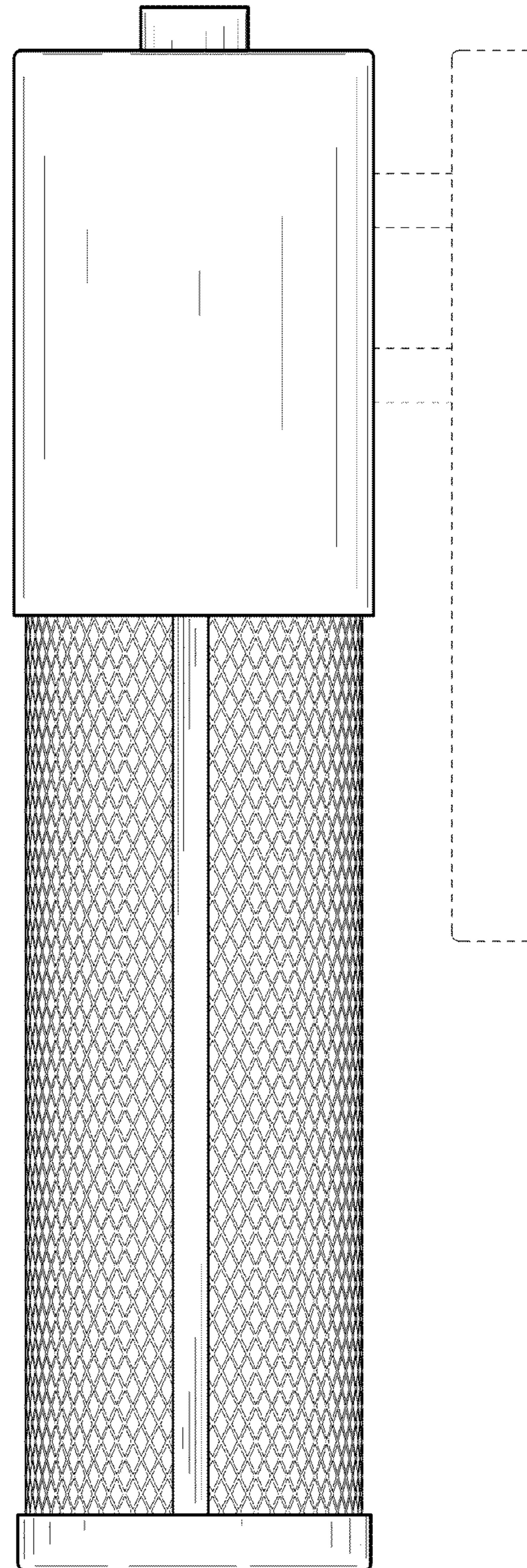


FIG. 17

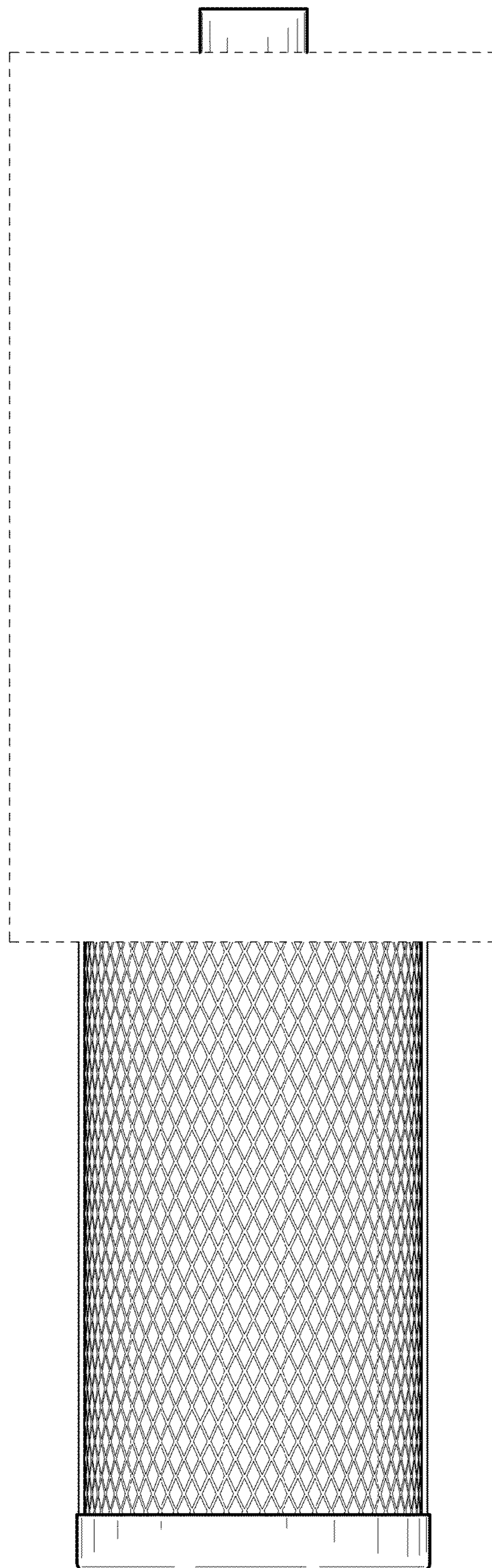


FIG. 18

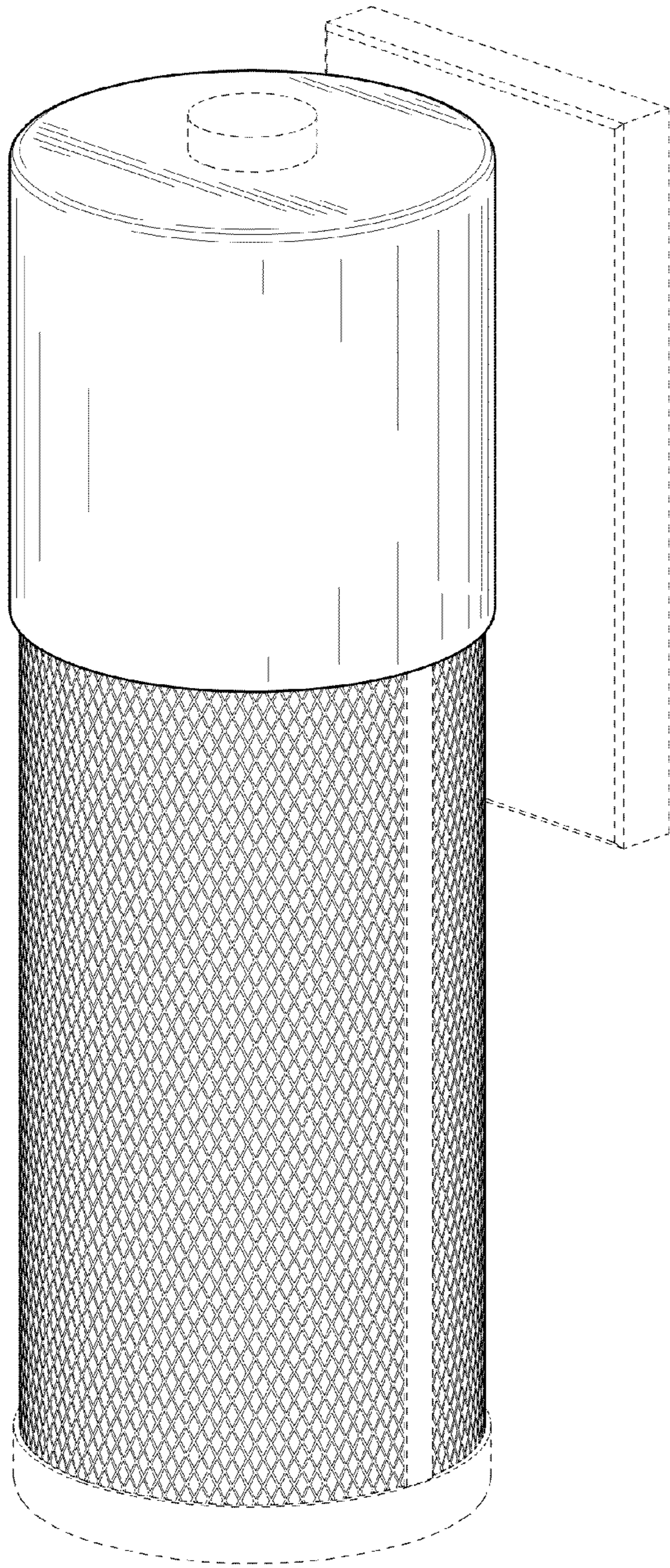


Fig. 19

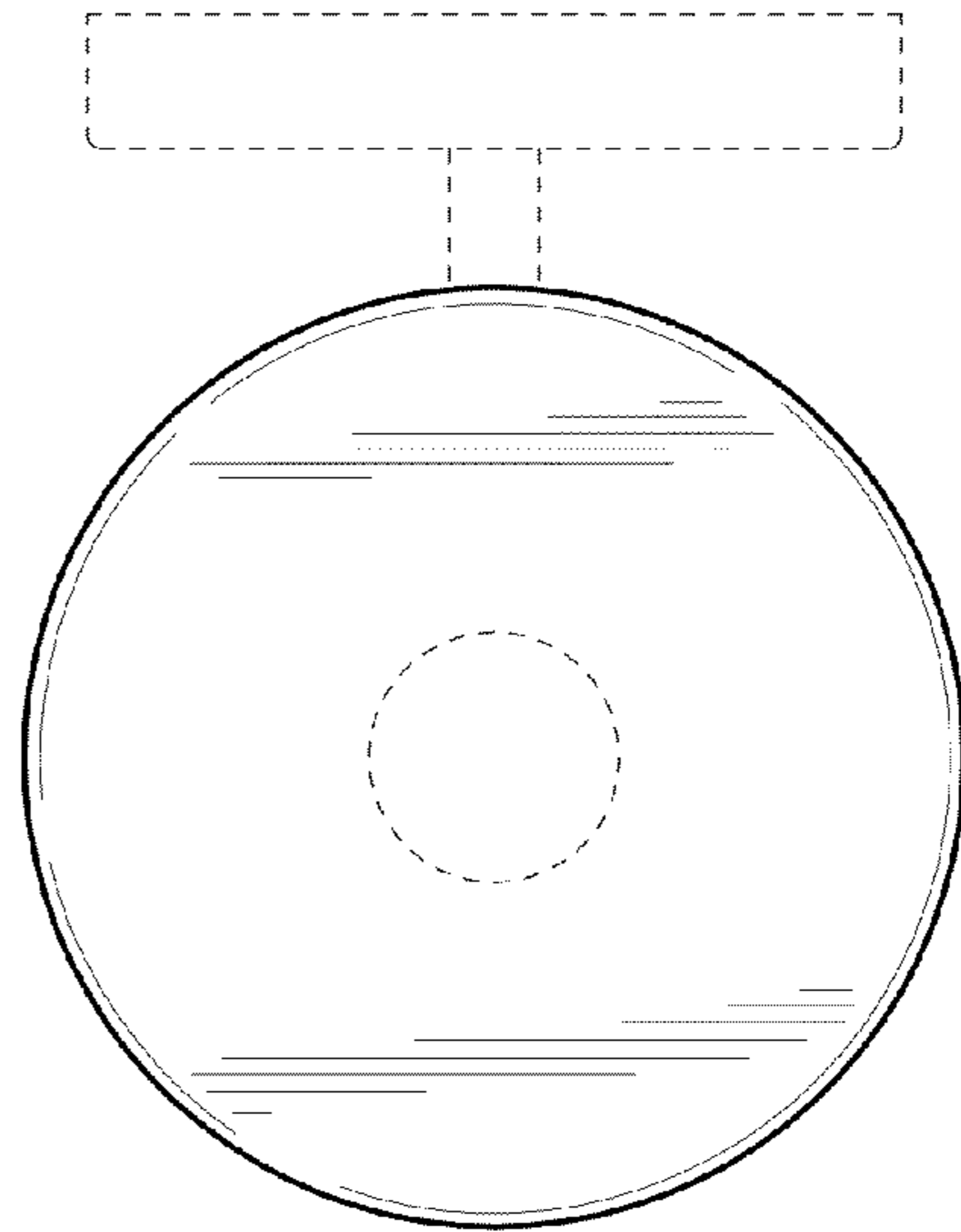


Fig. 20

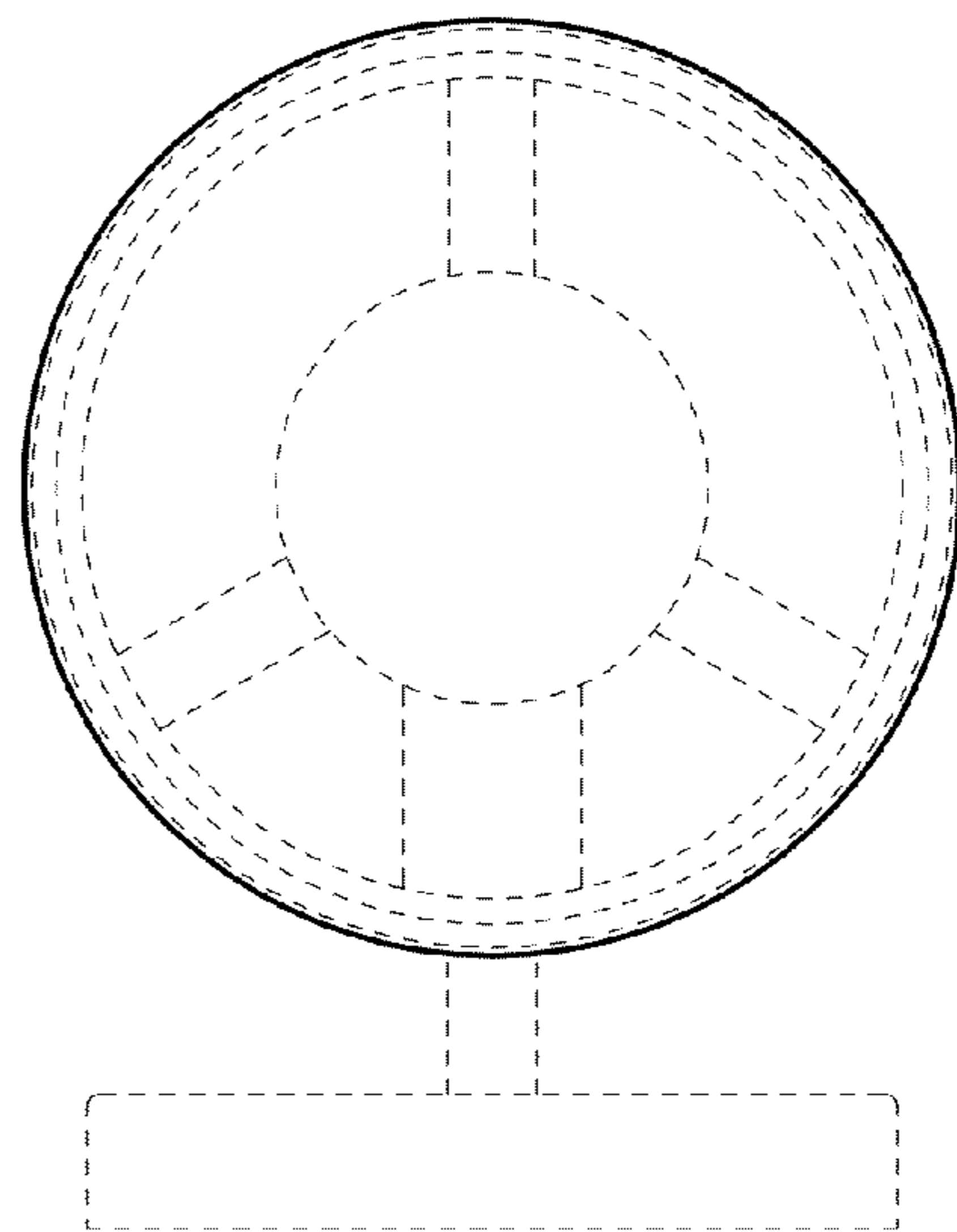


Fig. 21

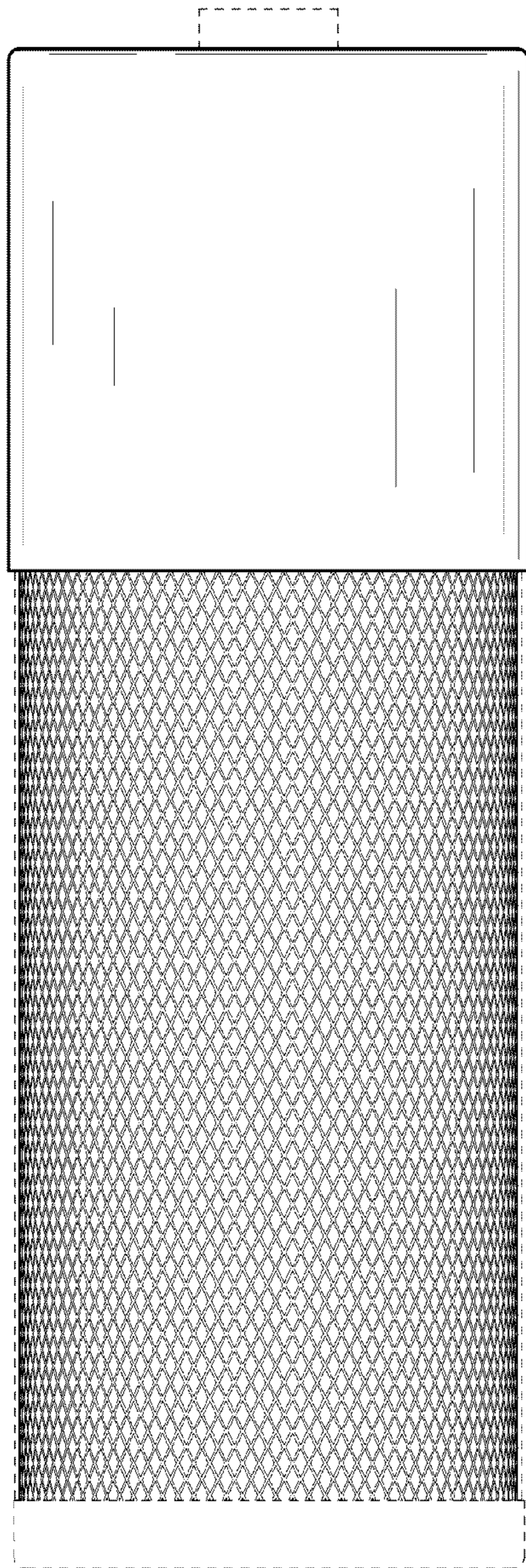


Fig. 22

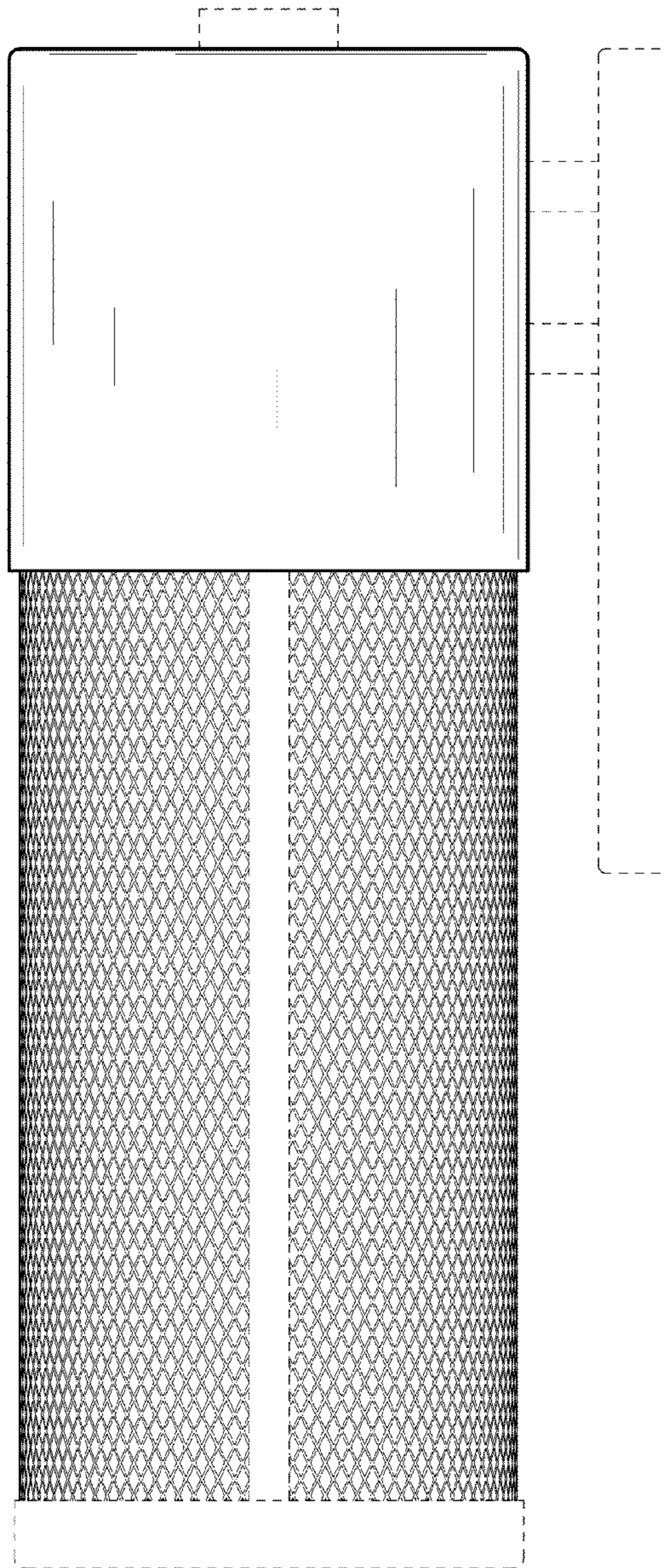


Fig. 23

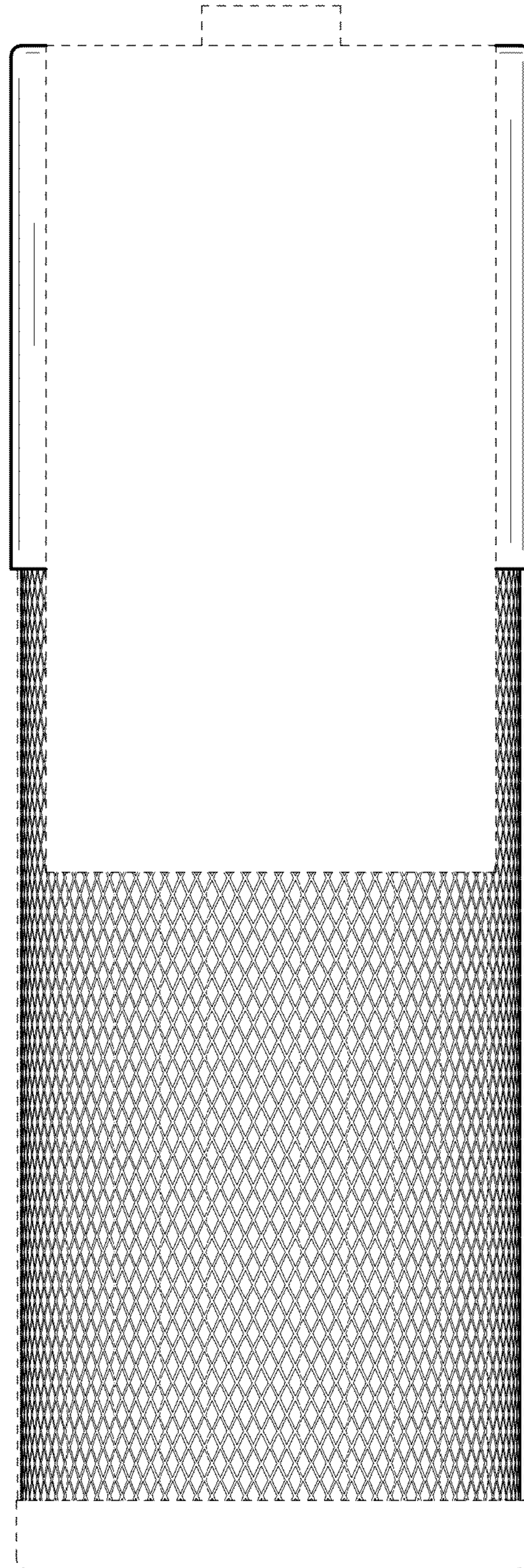


Fig. 24

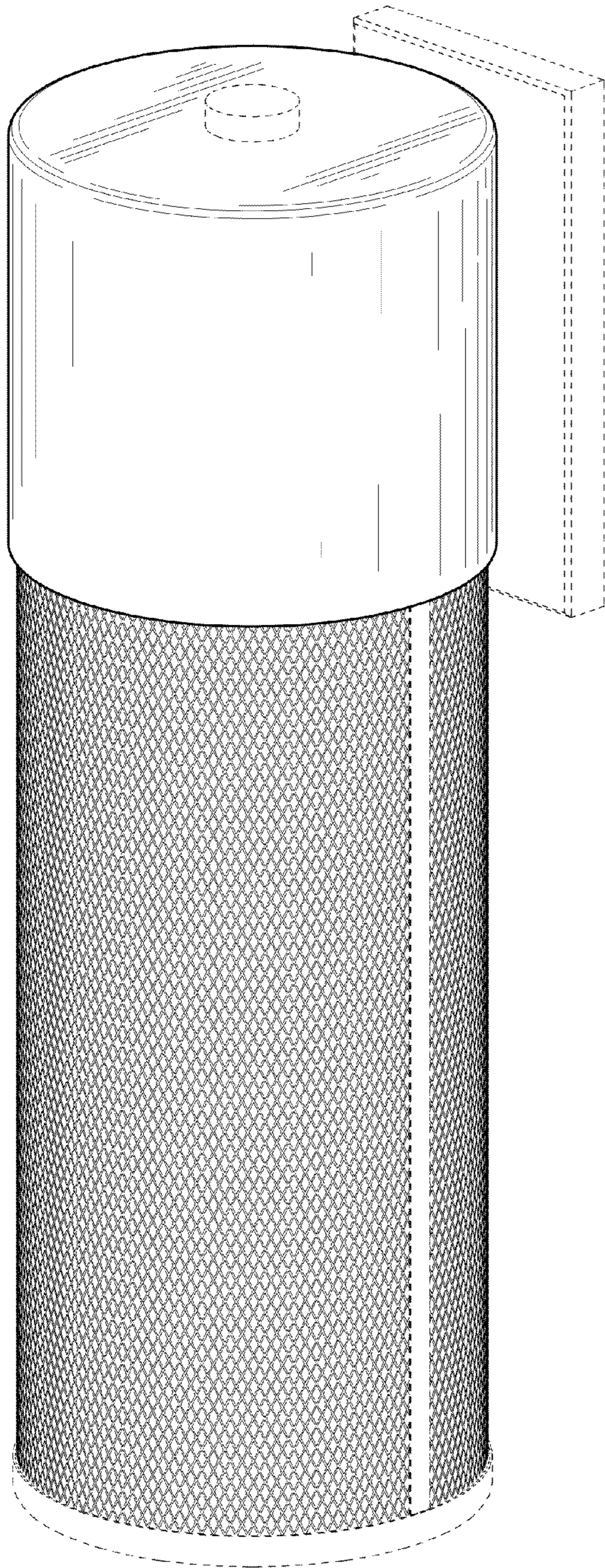


Fig. 25

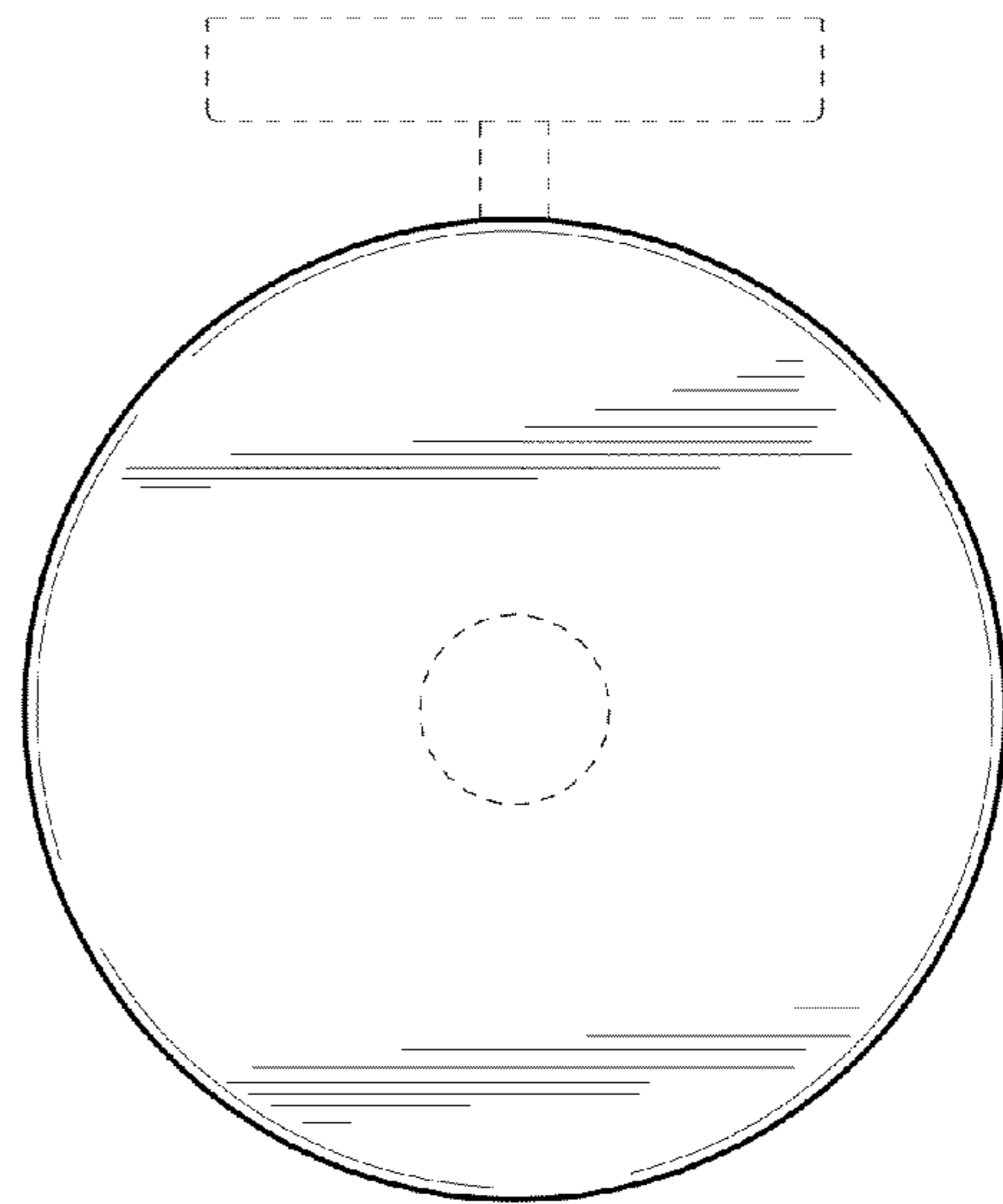


Fig. 26

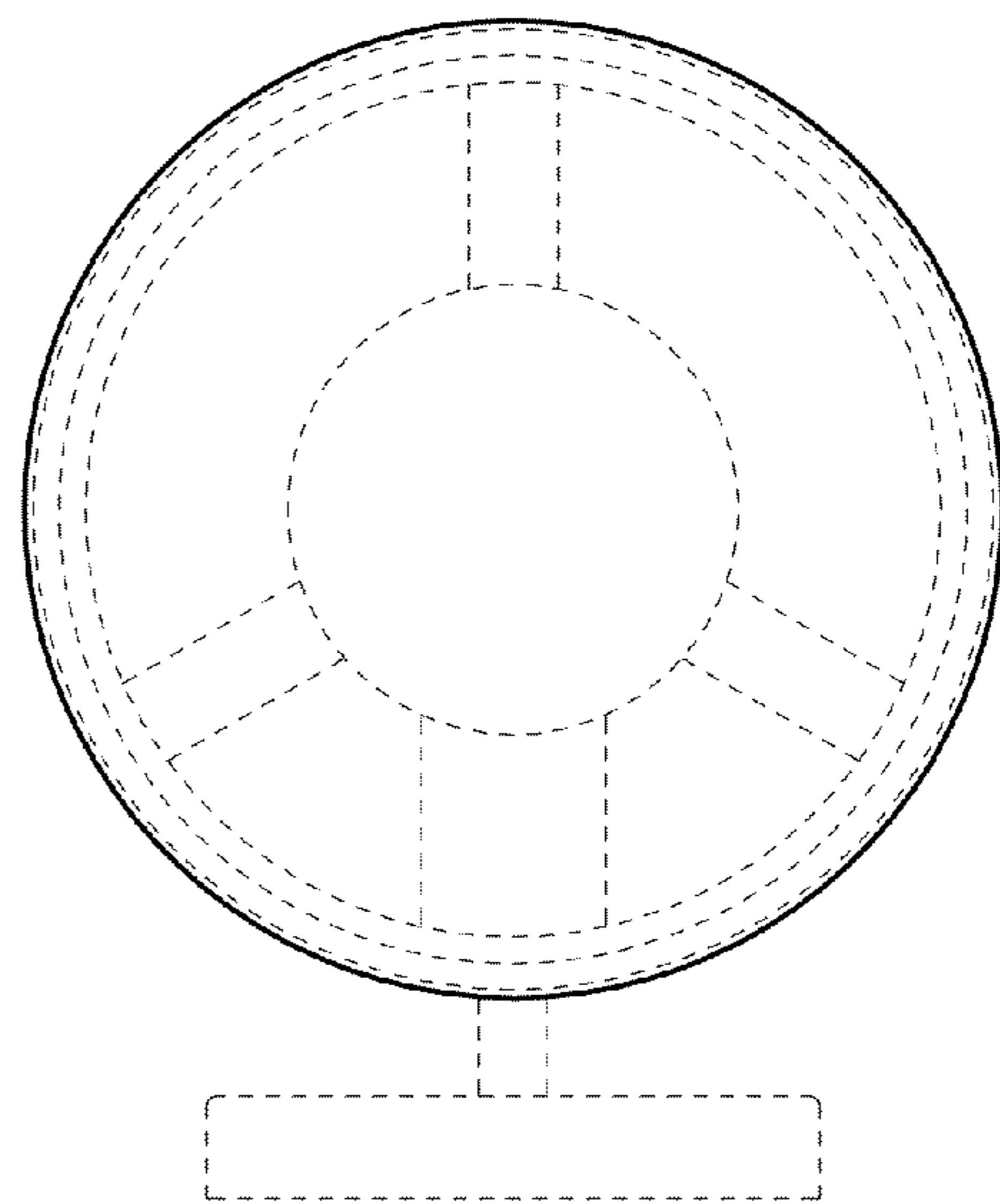


Fig. 27

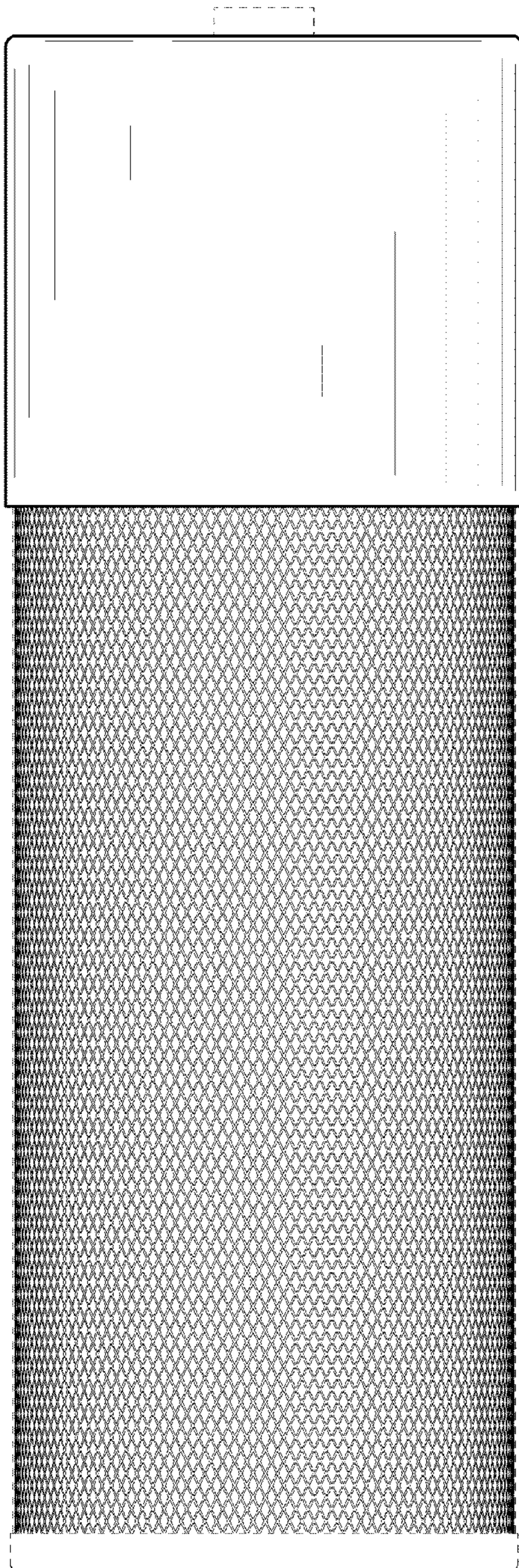


Fig. 28

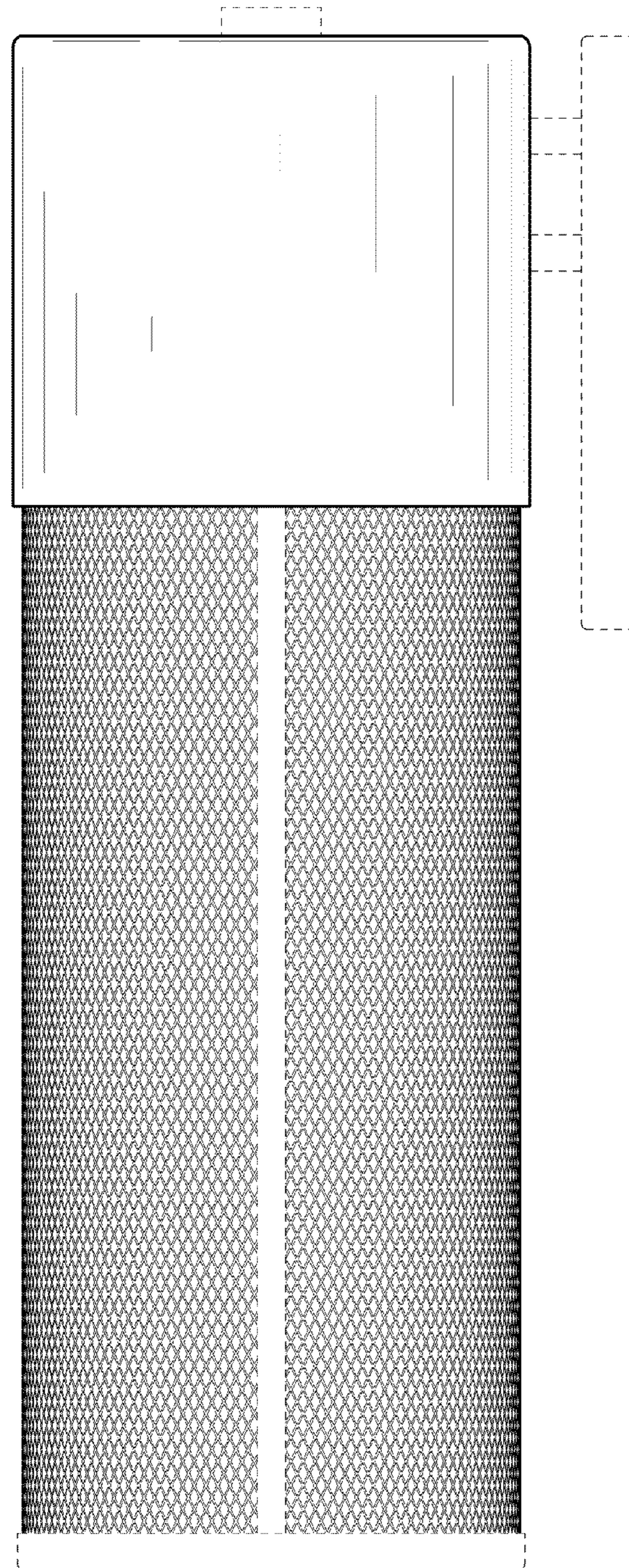


Fig. 29

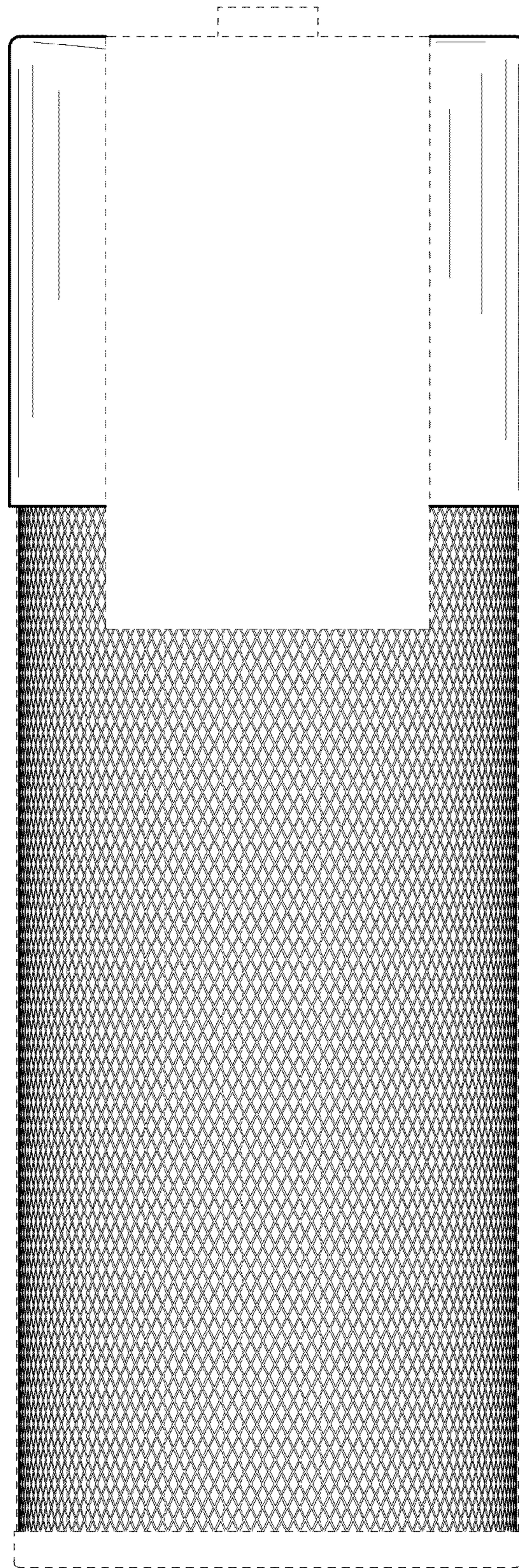


Fig. 30

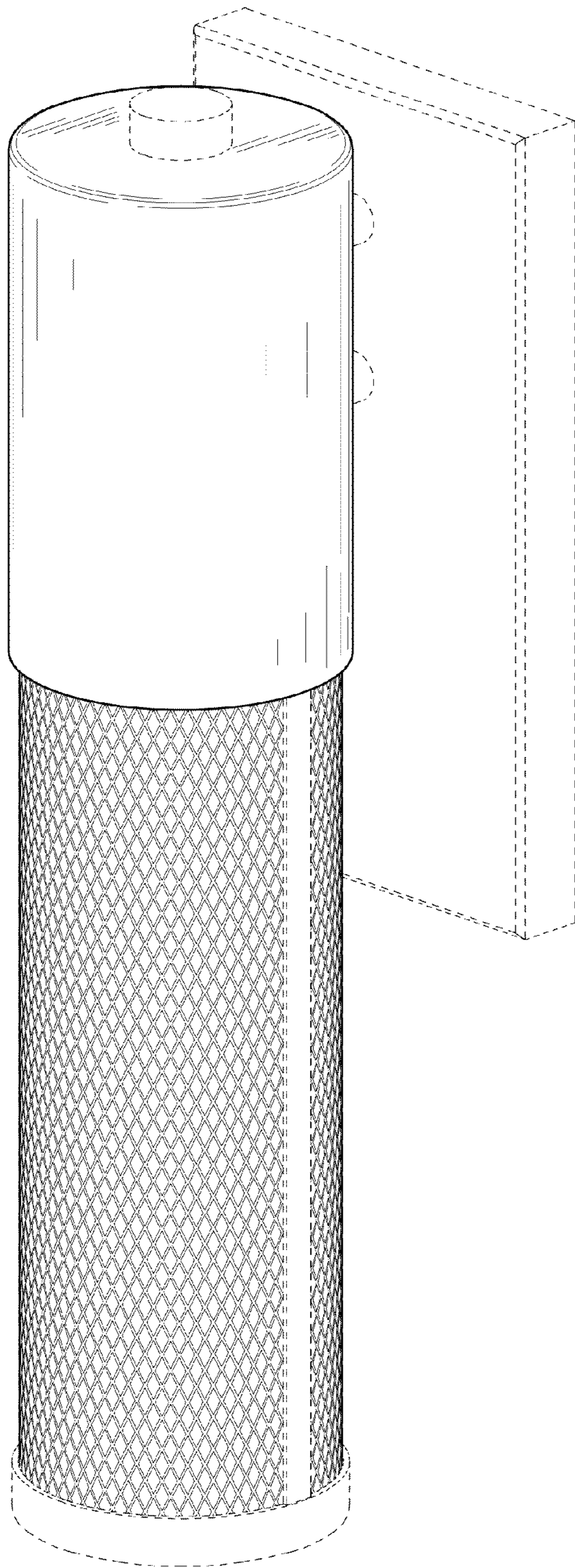


FIG. 31

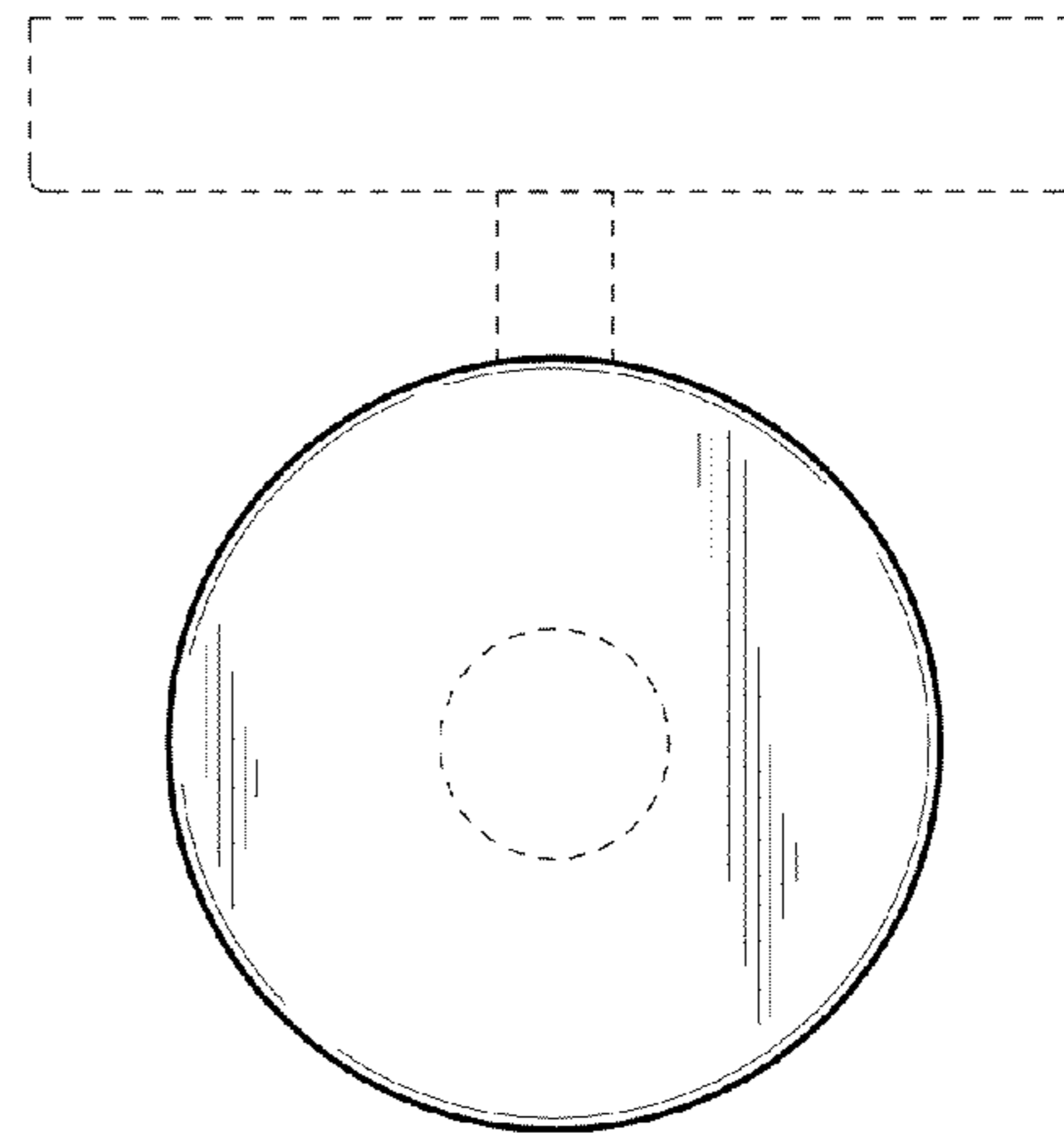


FIG. 32

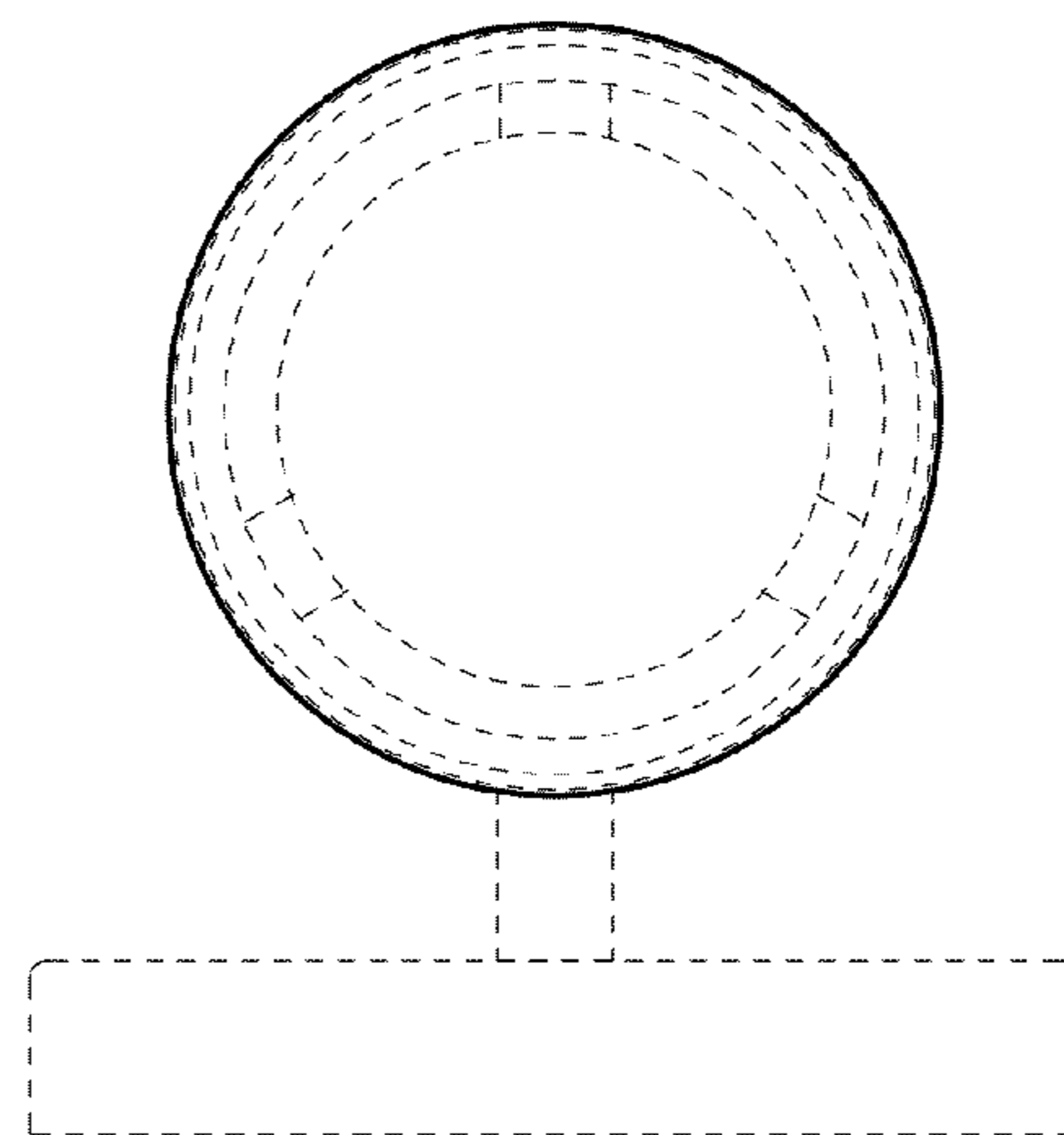


FIG. 33

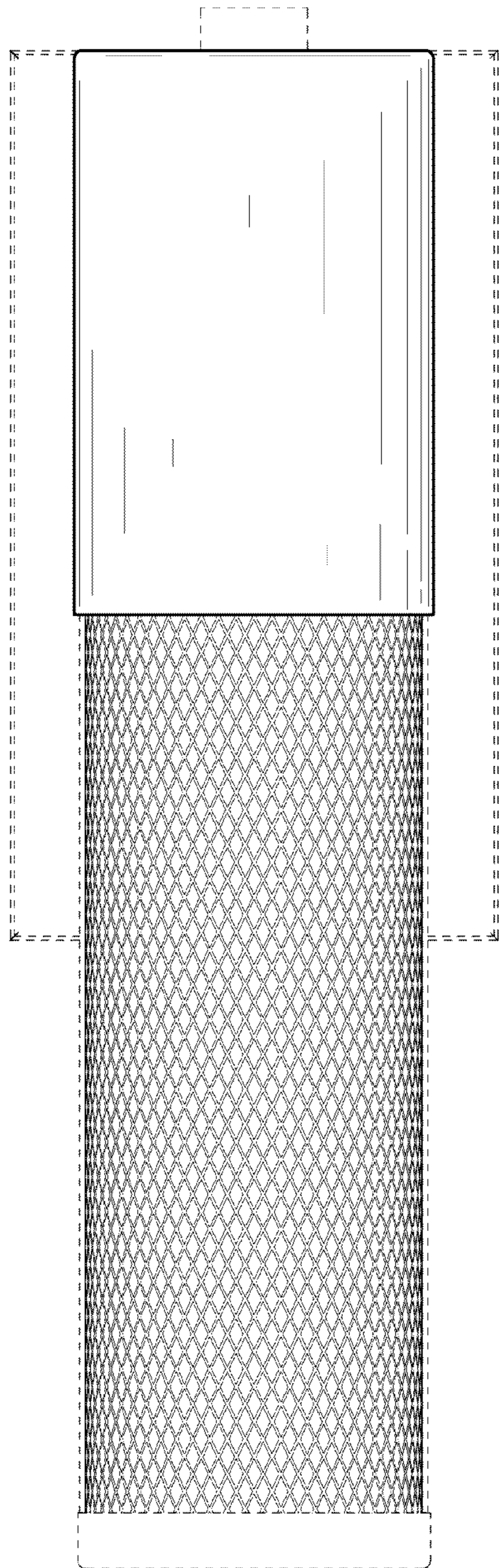


FIG. 34

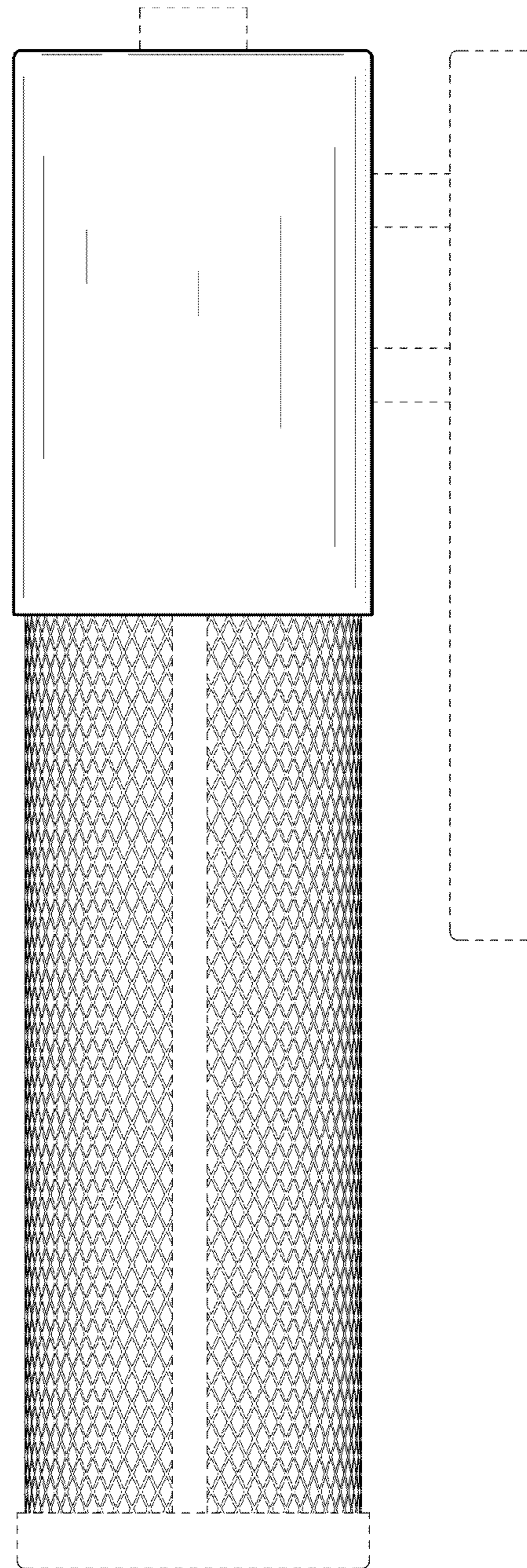


FIG. 35

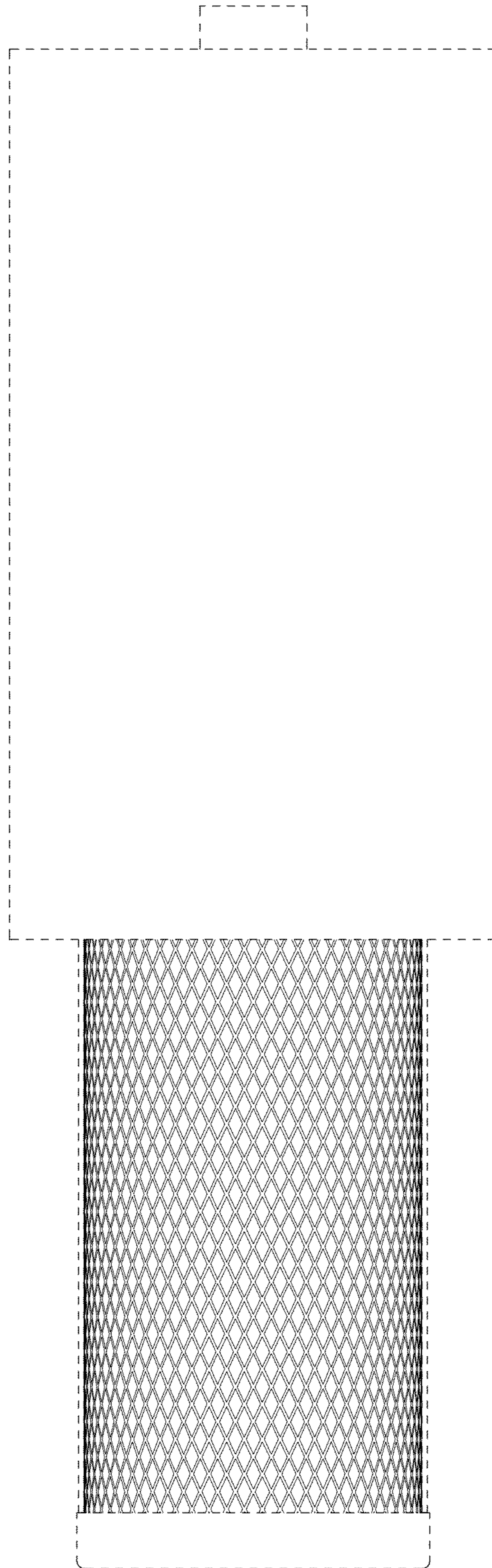


FIG. 36