



US00D731689S

(12) **United States Design Patent**  
**Bernard et al.**

(10) **Patent No.:** **US D731,689 S**  
(45) **Date of Patent:** **\*\* Jun. 9, 2015**

(54) **LED RECESSED LIGHT APPARATUS**

D691,761 S \* 10/2013 Pratt et al. .... D26/74  
D701,633 S \* 3/2014 Snell et al. .... D26/74  
D704,371 S \* 5/2014 Van De Ven et al. .... D26/74

(71) Applicant: **Cree, Inc.**, Durham, NC (US)

\* cited by examiner

(72) Inventors: **Randall Levy Bernard**, Cary, NC (US);  
**Nathan Snell**, Raleigh, NC (US); **Yaote Huang**,  
Morrisville, NC (US); **Kevin Gierl**, Cary, NC (US)

*Primary Examiner* — Angela J Lee

(74) *Attorney, Agent, or Firm* — Myers Bigel Sibley & Sajovec, PA

(73) Assignee: **Cree, Inc.**, Durham, NC (US)

(57) **CLAIM**

The ornamental design for a LED recessed light apparatus, as shown and described.

(\*\*) Term: **14 Years**

(21) Appl. No.: **29/491,189**

**DESCRIPTION**

(22) Filed: **May 19, 2014**

(51) **LOC (10) Cl.** ..... **26-05**

(52) **U.S. Cl.**  
USPC ..... **D26/74**

(58) **Field of Classification Search**  
USPC ..... D26/74, 72, 75, 76, 77, 78, 85, 88, 89,  
D26/118, 138, 141; 362/364, 365, 373, 145,  
362/146, 147, 148, 150, 153, 153.1, 294,  
362/296.01, 296.07, 296.08  
CPC ..... F21V 29/2262; F21V 7/06; F21V 21/044;  
F21V 21/047; F21V 29/2212; F21V 29/2225;  
F21V 29/2256; F21V 29/225; F21V 29/2268;  
F21S 8/02; F21S 8/026; F21Y 2111/002  
See application file for complete search history.

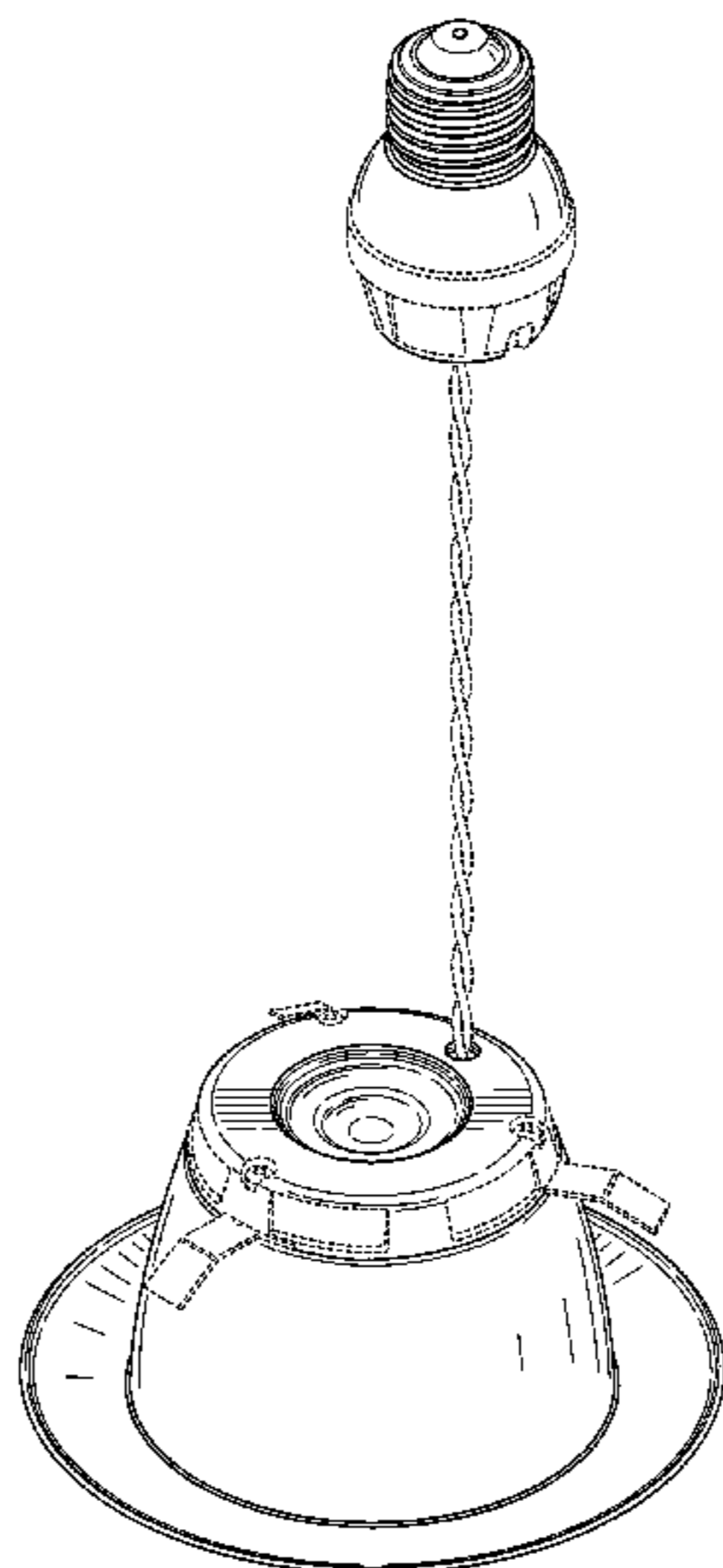
FIG. 1 is a bottom perspective view of a LED recessed light apparatus showing our design;  
FIG. 2 is a top perspective view thereof;  
FIG. 3 is a front side view thereof;  
FIG. 4 is a back side view thereof;  
FIG. 5 is another side view thereof;  
FIG. 6 is an opposing side view thereof;  
FIG. 7 is a top view thereof;  
FIG. 8 is a bottom view thereof;  
FIG. 9 is a bottom perspective environmental view showing the LED recessed light apparatus in a ceiling installation;  
FIG. 10 is a bottom perspective view of another embodiment of the LED recessed light apparatus showing our design;  
FIG. 11 is a top perspective view thereof;  
FIG. 12 is a front side view thereof;  
FIG. 13 is a back side view thereof;  
FIG. 14 is another side view thereof;  
FIG. 15 is an opposing side view thereof;  
FIG. 16 is a top view thereof;  
FIG. 17 is a bottom view thereof; and,  
FIG. 18 is a bottom perspective environmental view showing the LED recessed light apparatus in a ceiling installation.  
The broken lines shown herein are for illustrative purposes only and form no part of the claimed design. The illustrated device is not limited to the scale shown.

(56) **References Cited**

U.S. PATENT DOCUMENTS

D490,181 S \* 5/2004 Redfern ..... D26/72  
D561,374 S \* 2/2008 Hartmann et al. .... D26/74  
D591,894 S \* 5/2009 Flank ..... D26/74  
D609,840 S \* 2/2010 Tang ..... D26/74  
D633,099 S \* 2/2011 Van de Ven et al. .... D15/1  
D665,117 S \* 8/2012 Yoshida et al. .... D26/74  
D671,668 S \* 11/2012 Rowlette et al. .... D26/74  
D674,127 S \* 1/2013 Rowlette et al. .... D26/74  
D681,860 S \* 5/2013 Soni ..... D26/74  
D684,288 S \* 6/2013 Gielen ..... D26/74

**1 Claim, 18 Drawing Sheets**



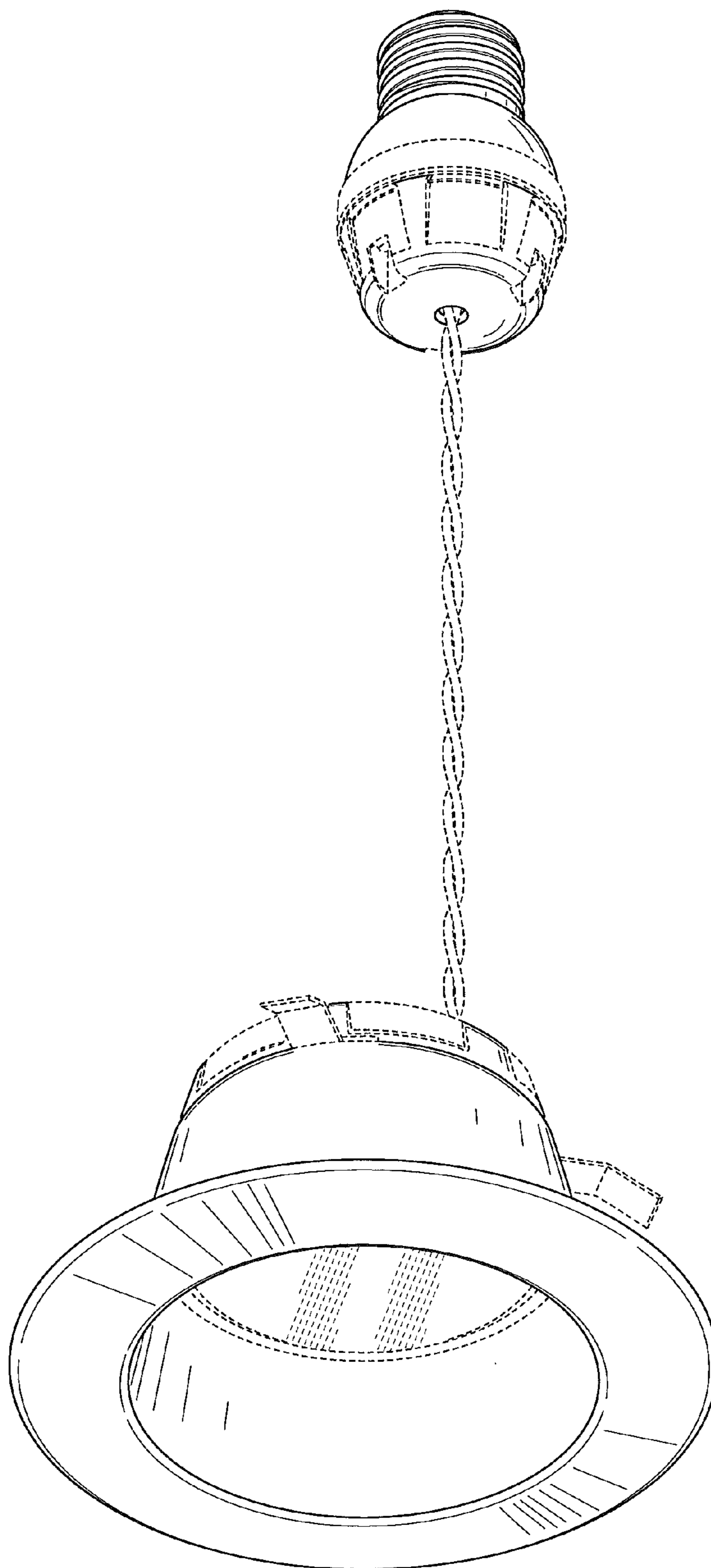


FIG. 1

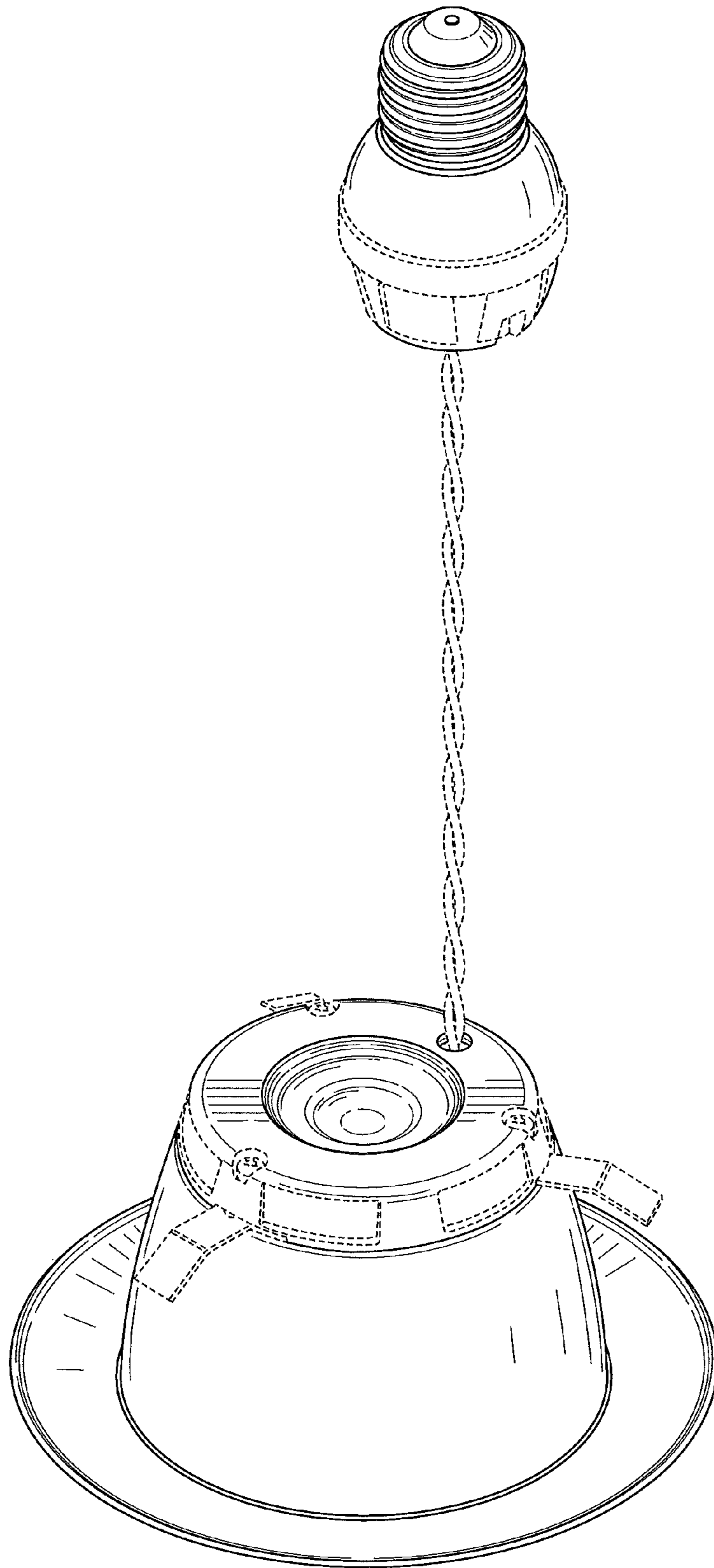


FIG. 2

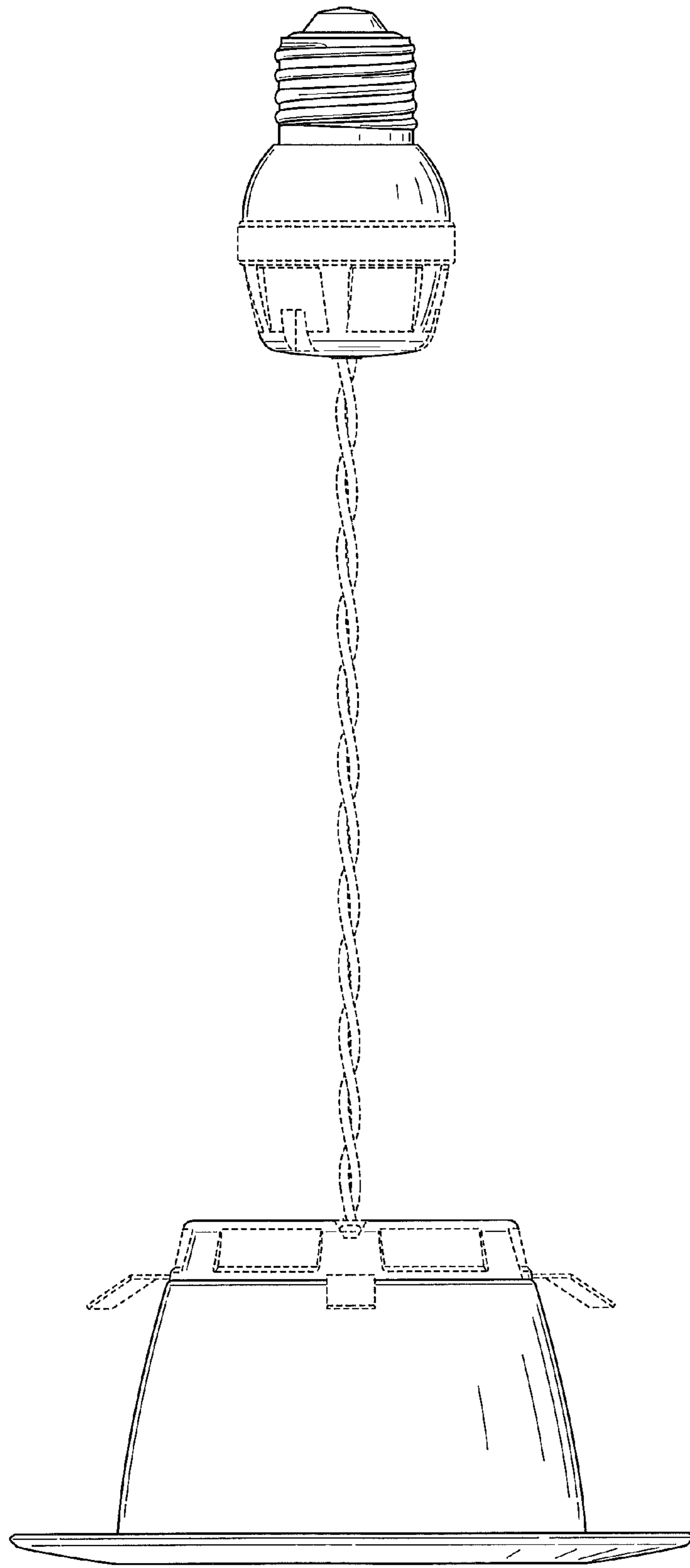


FIG. 3

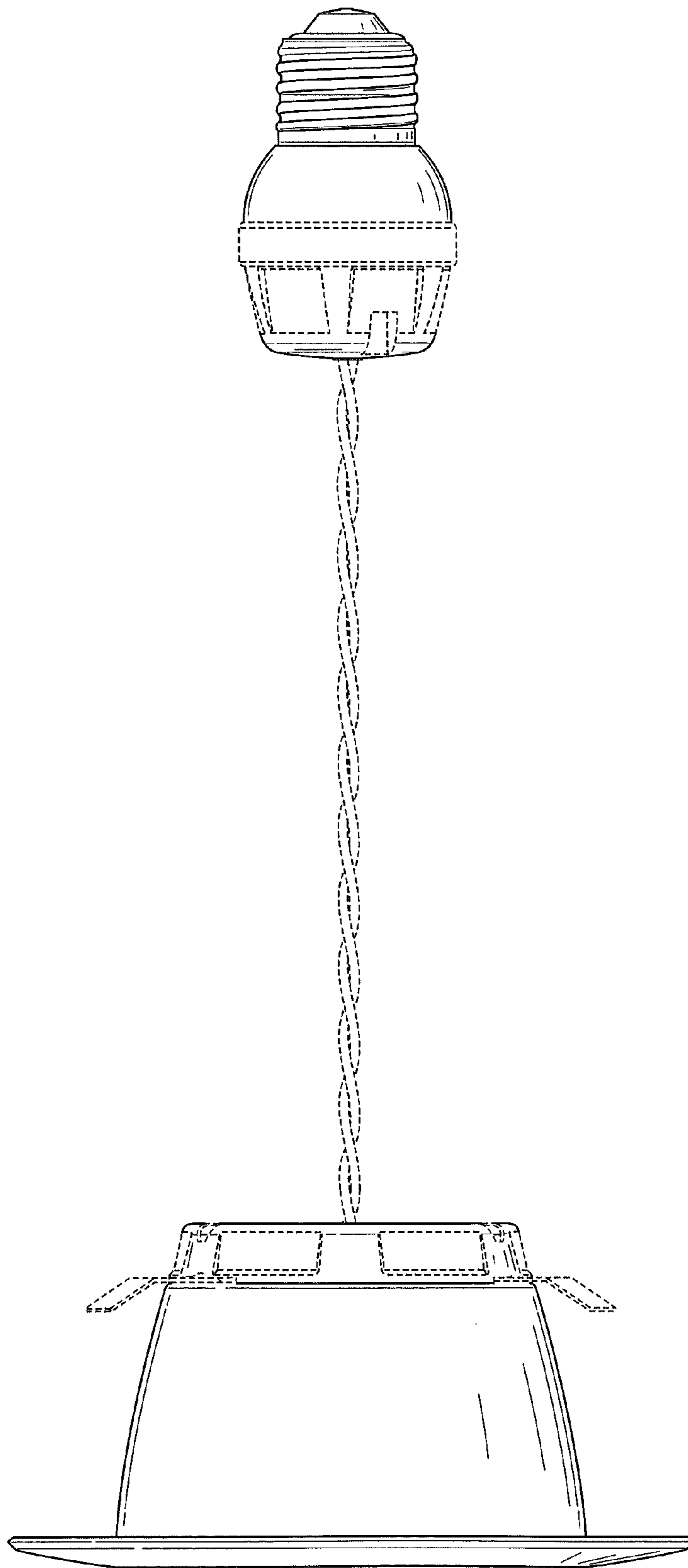


FIG. 4

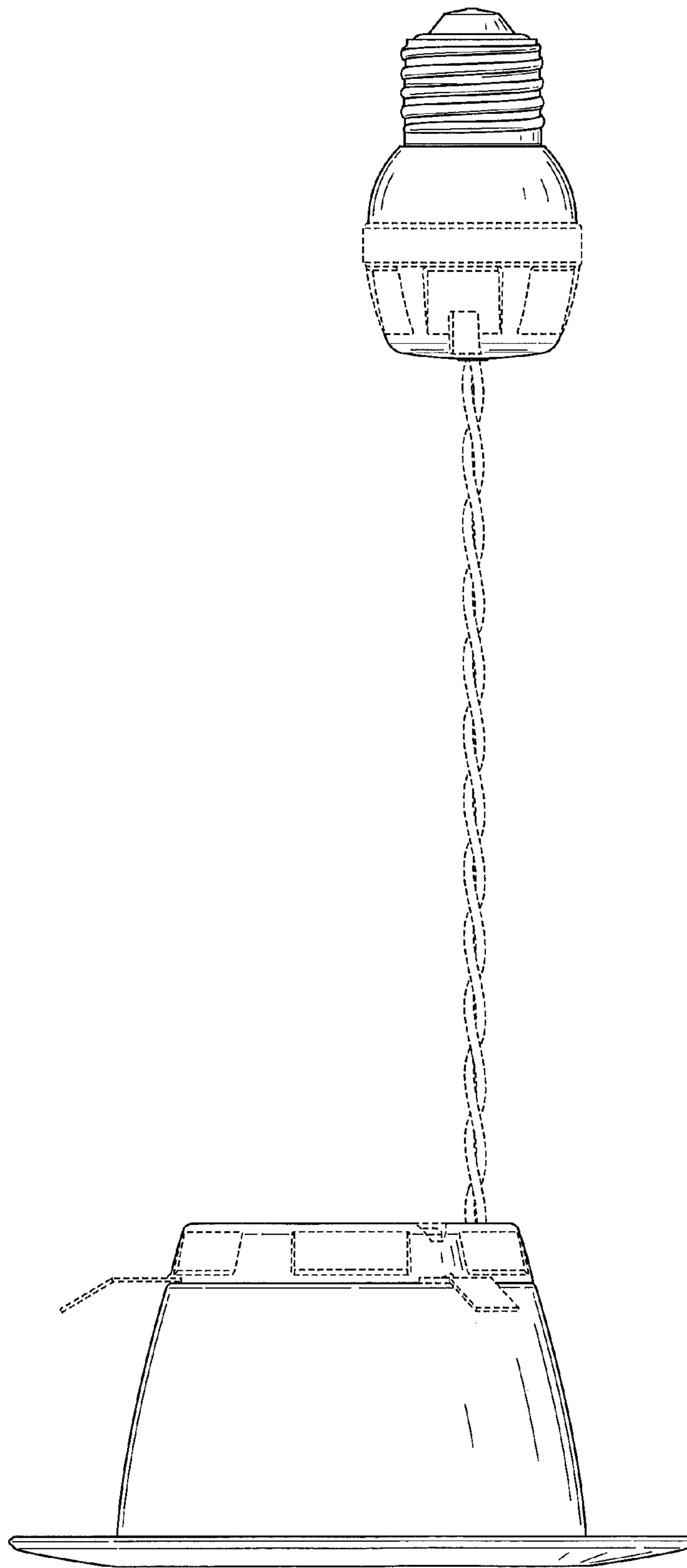


FIG. 5



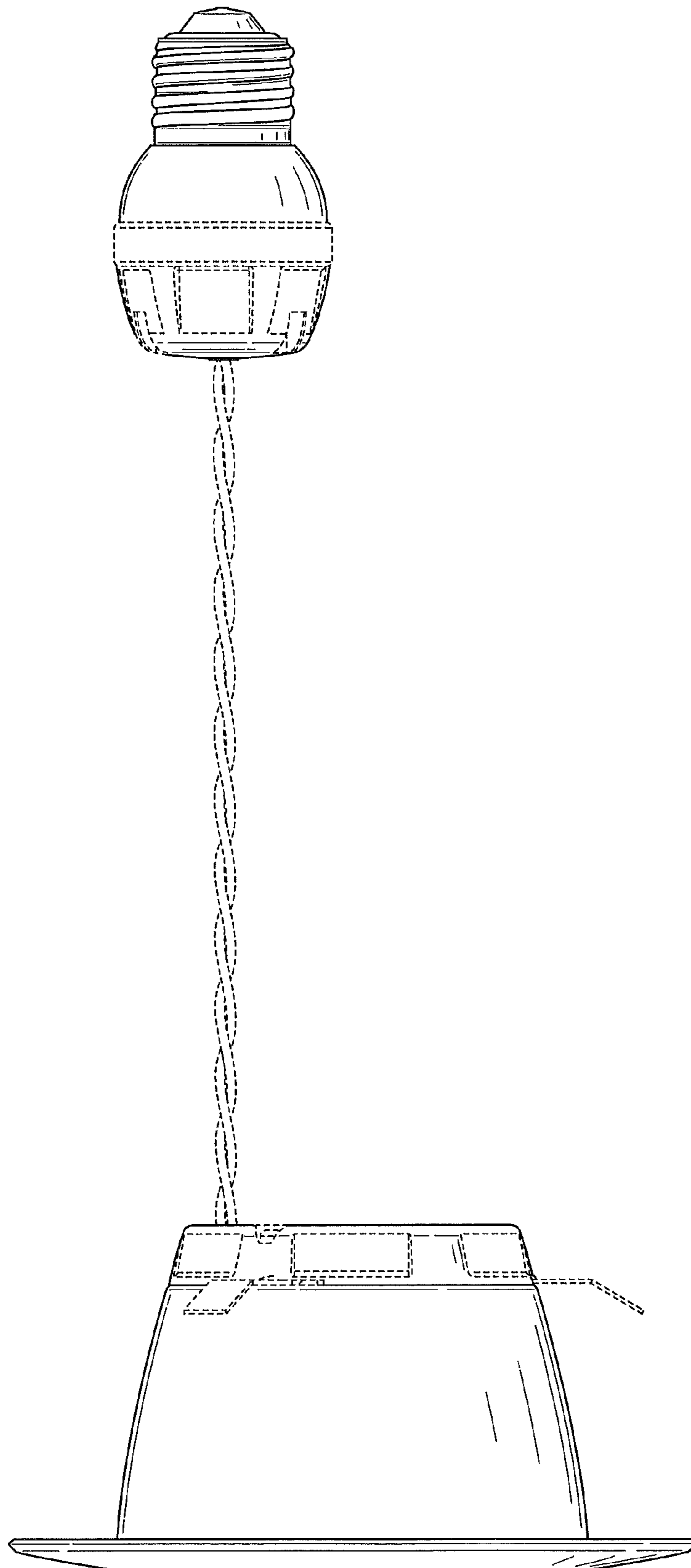


FIG. 6

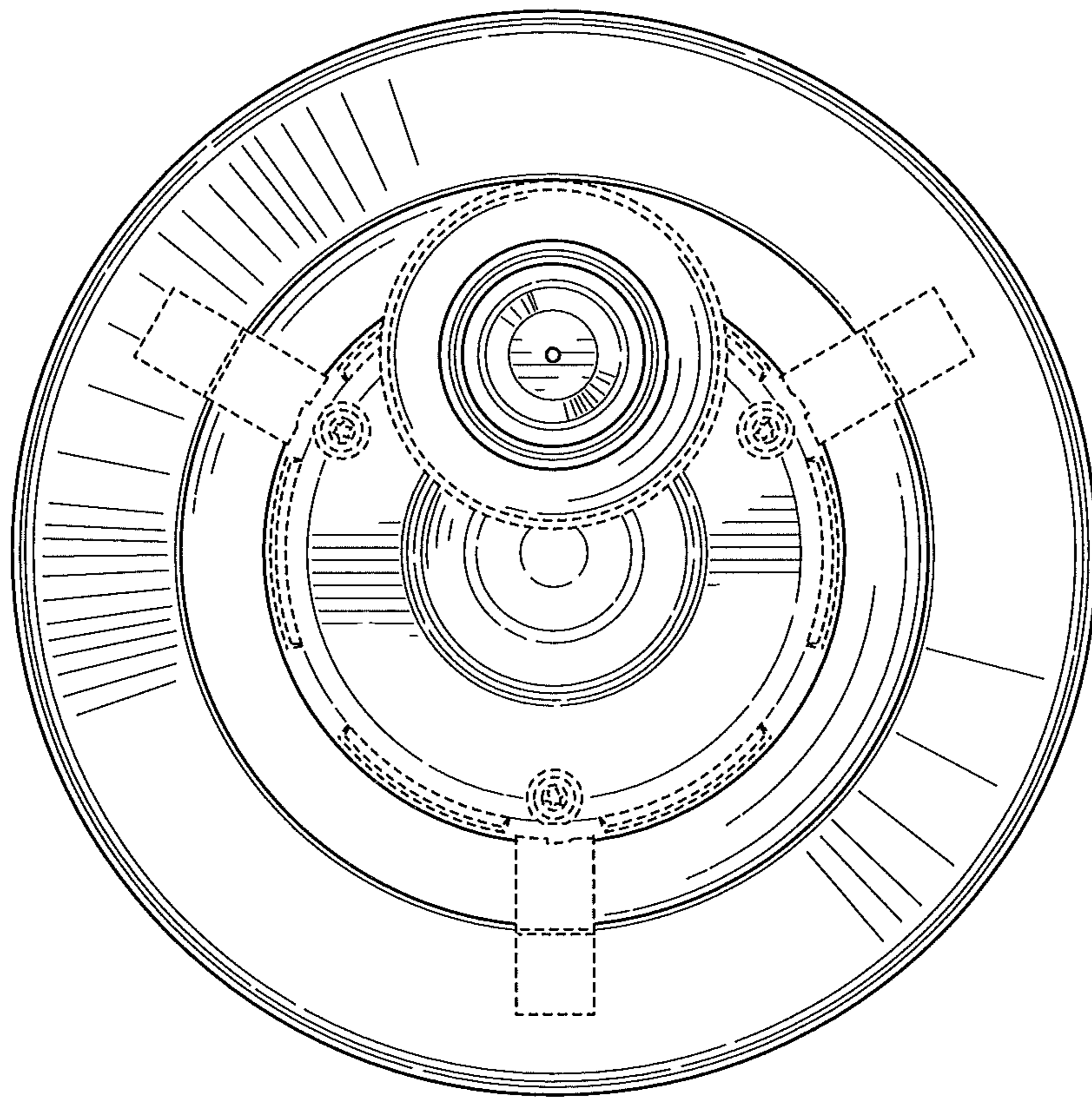


FIG. 7



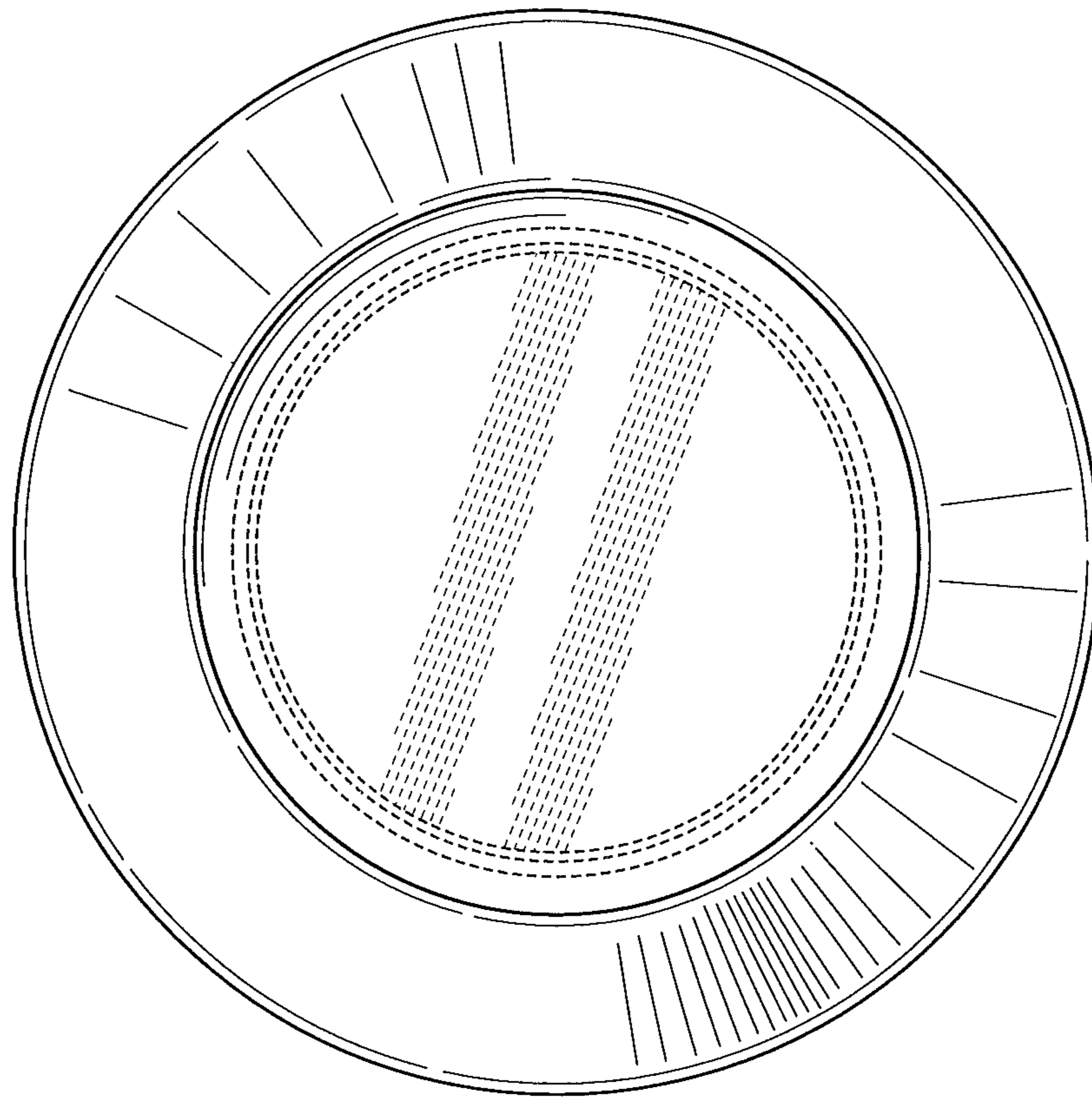


FIG. 8

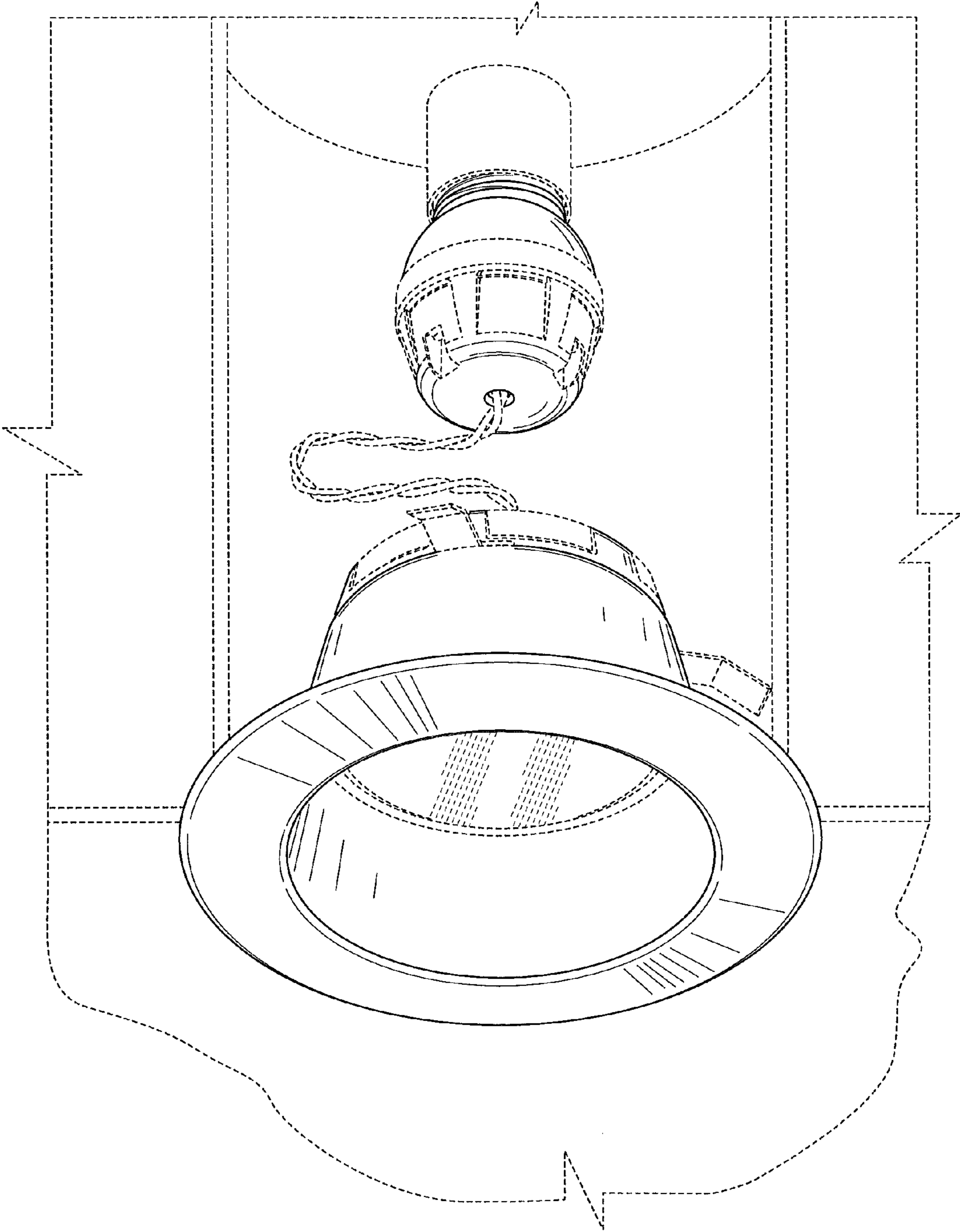


FIG. 9

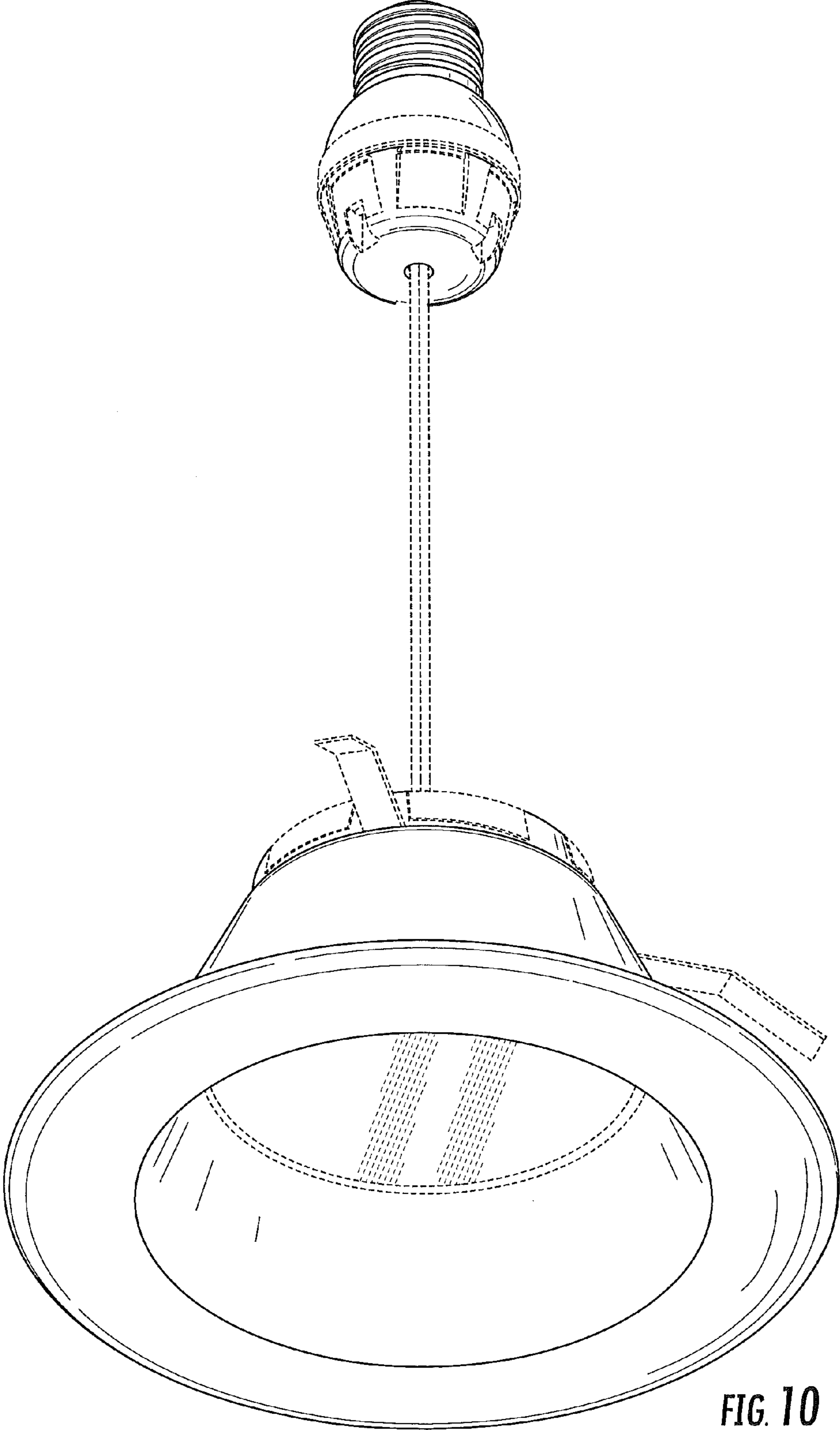


FIG. 10

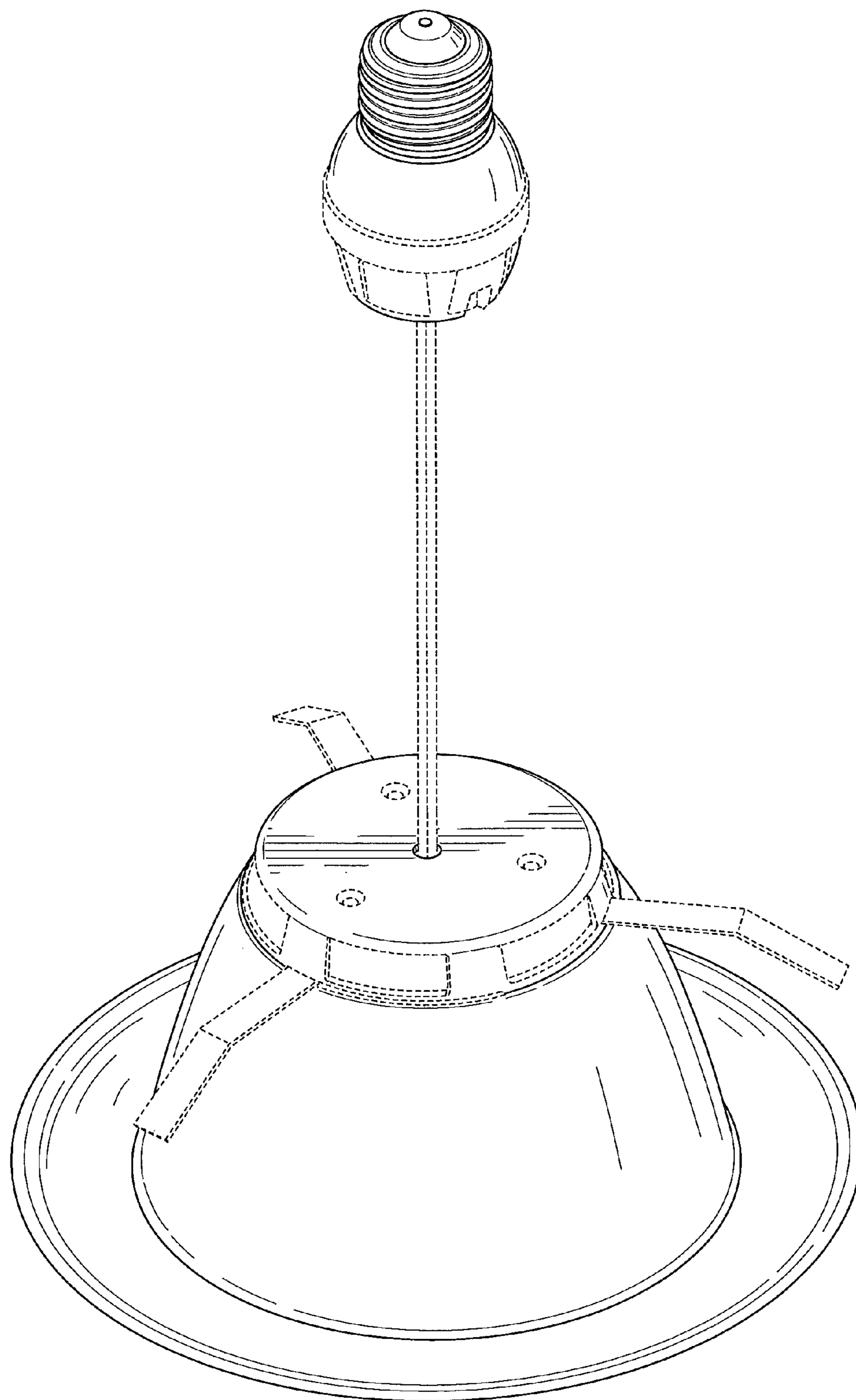


FIG. 11

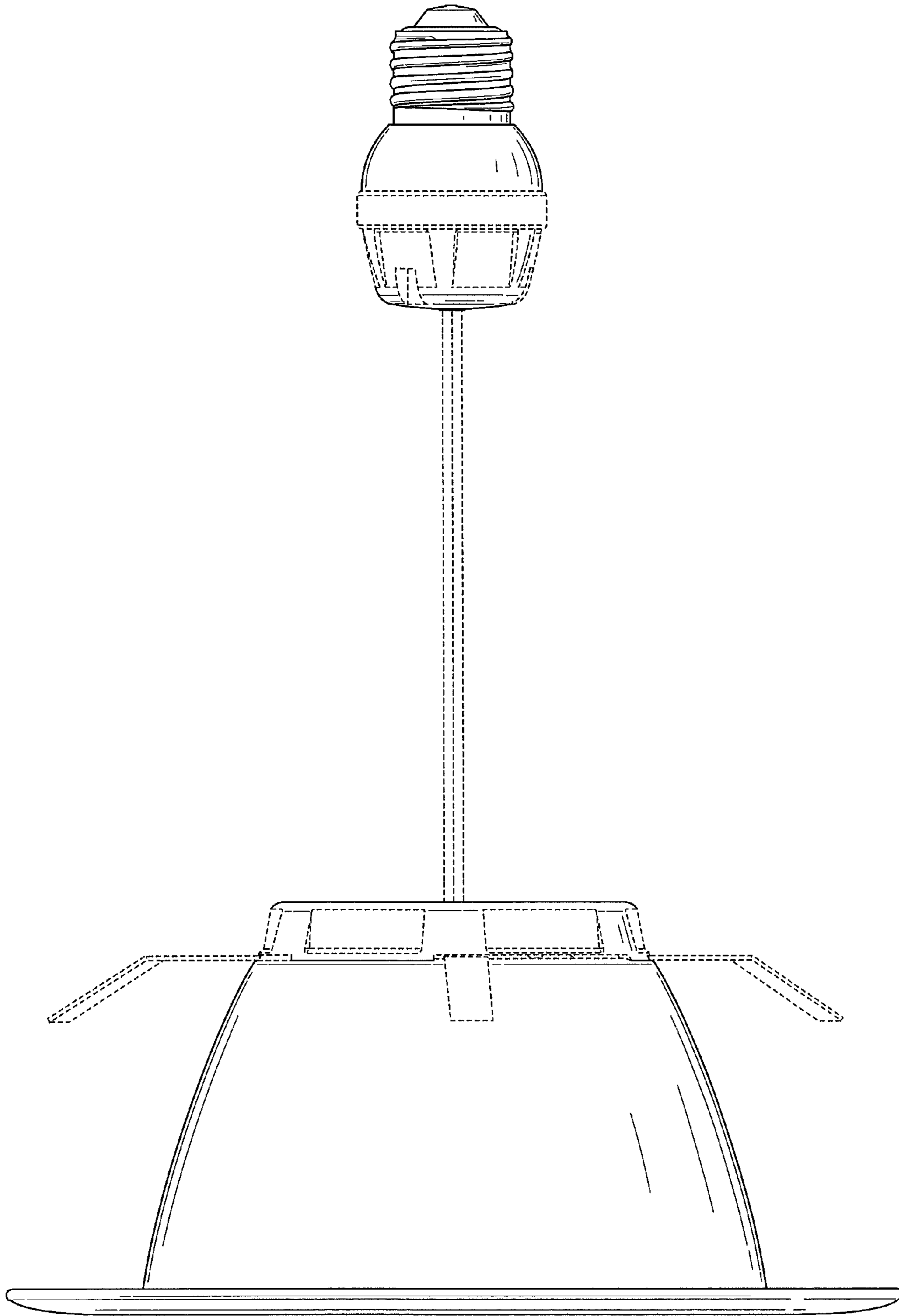


FIG. 12

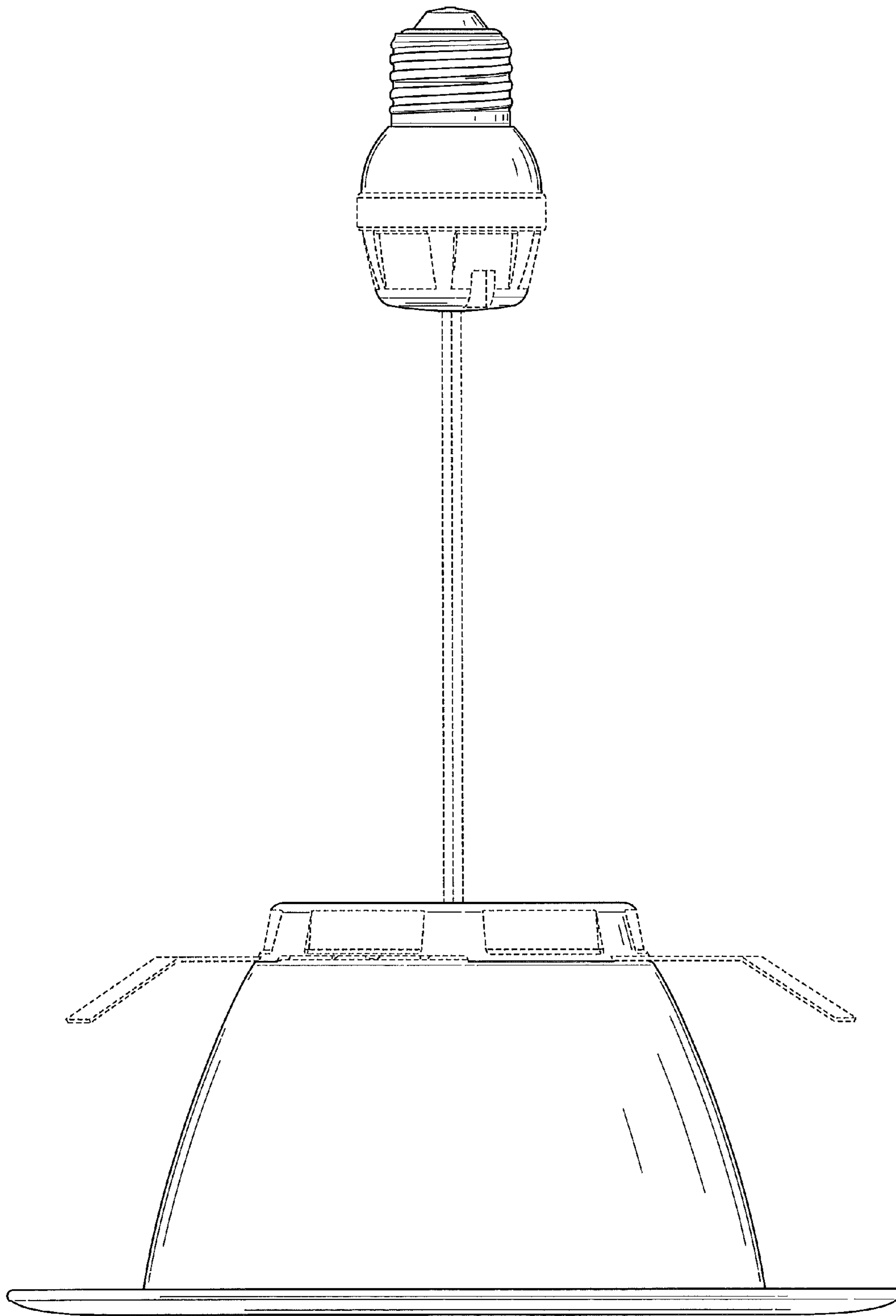


FIG. 13



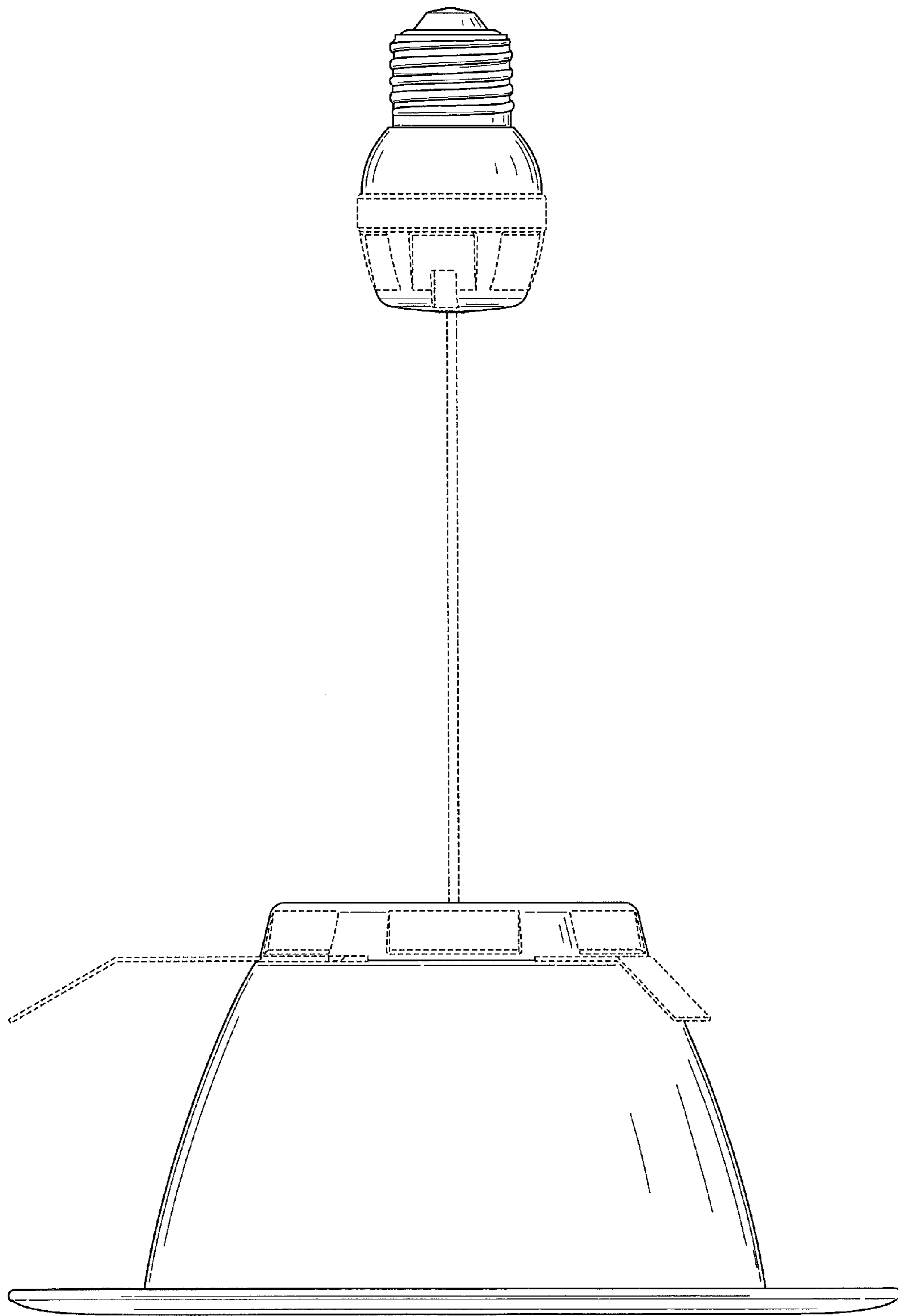


FIG. 14

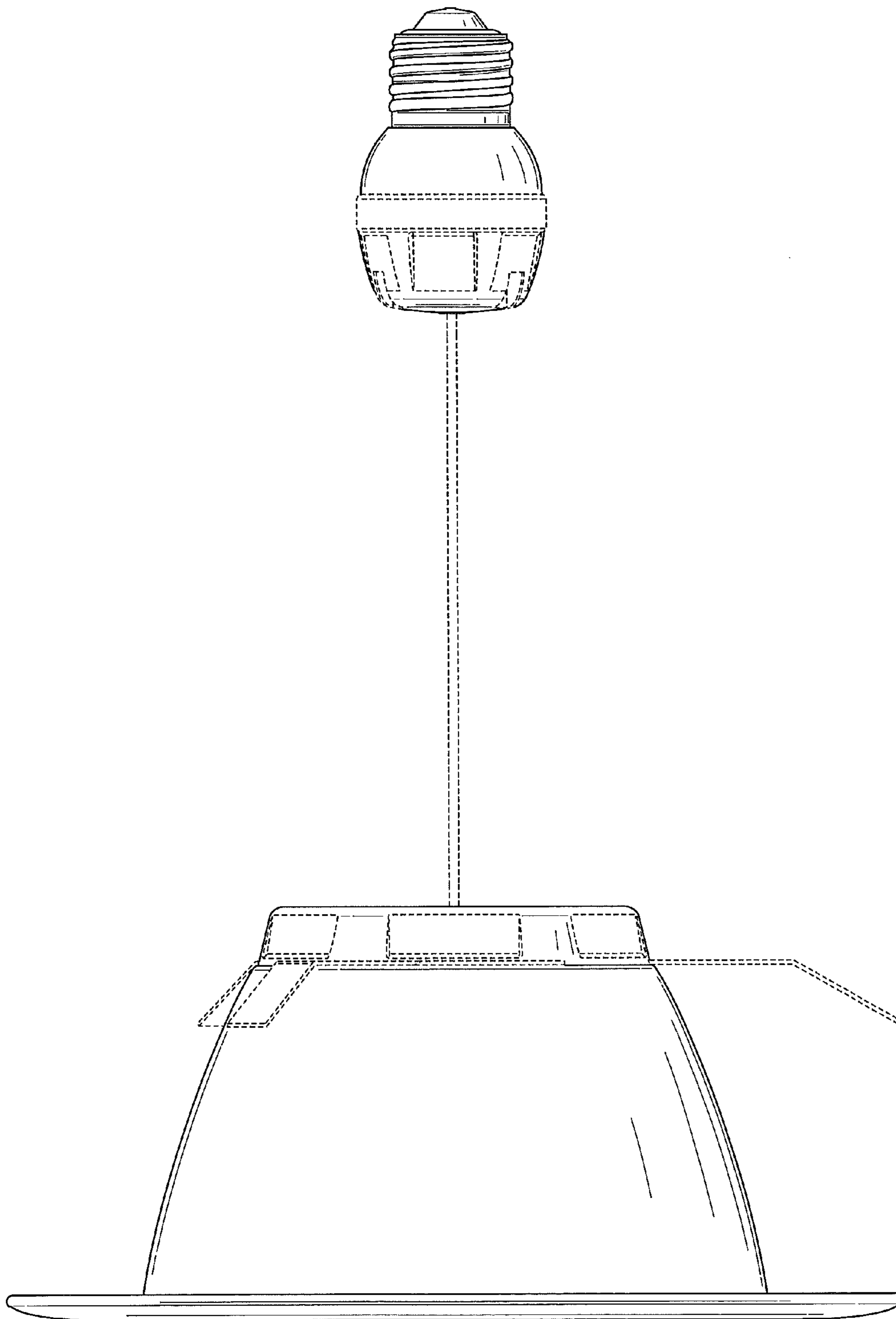


FIG. 15

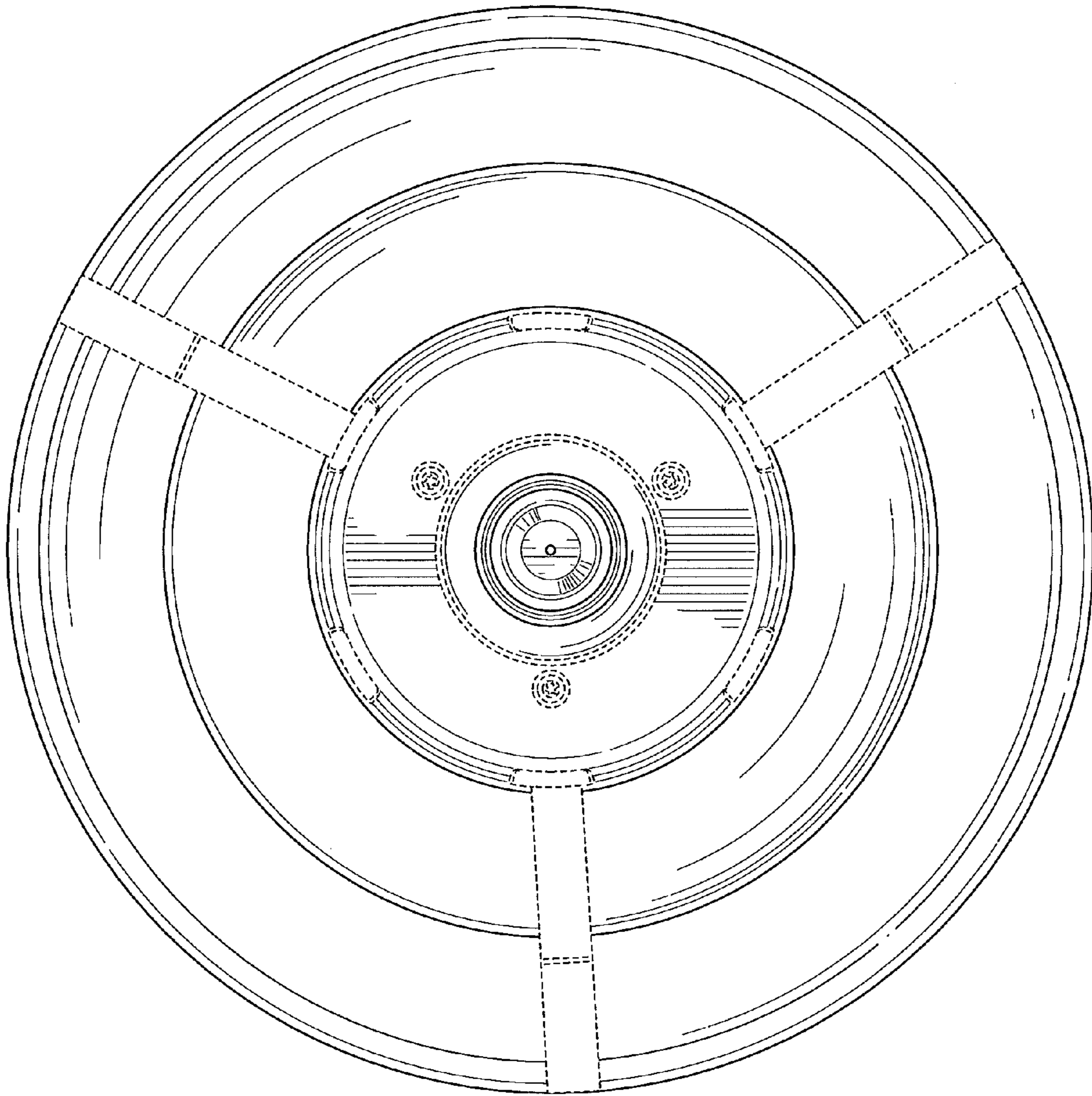


FIG. 16

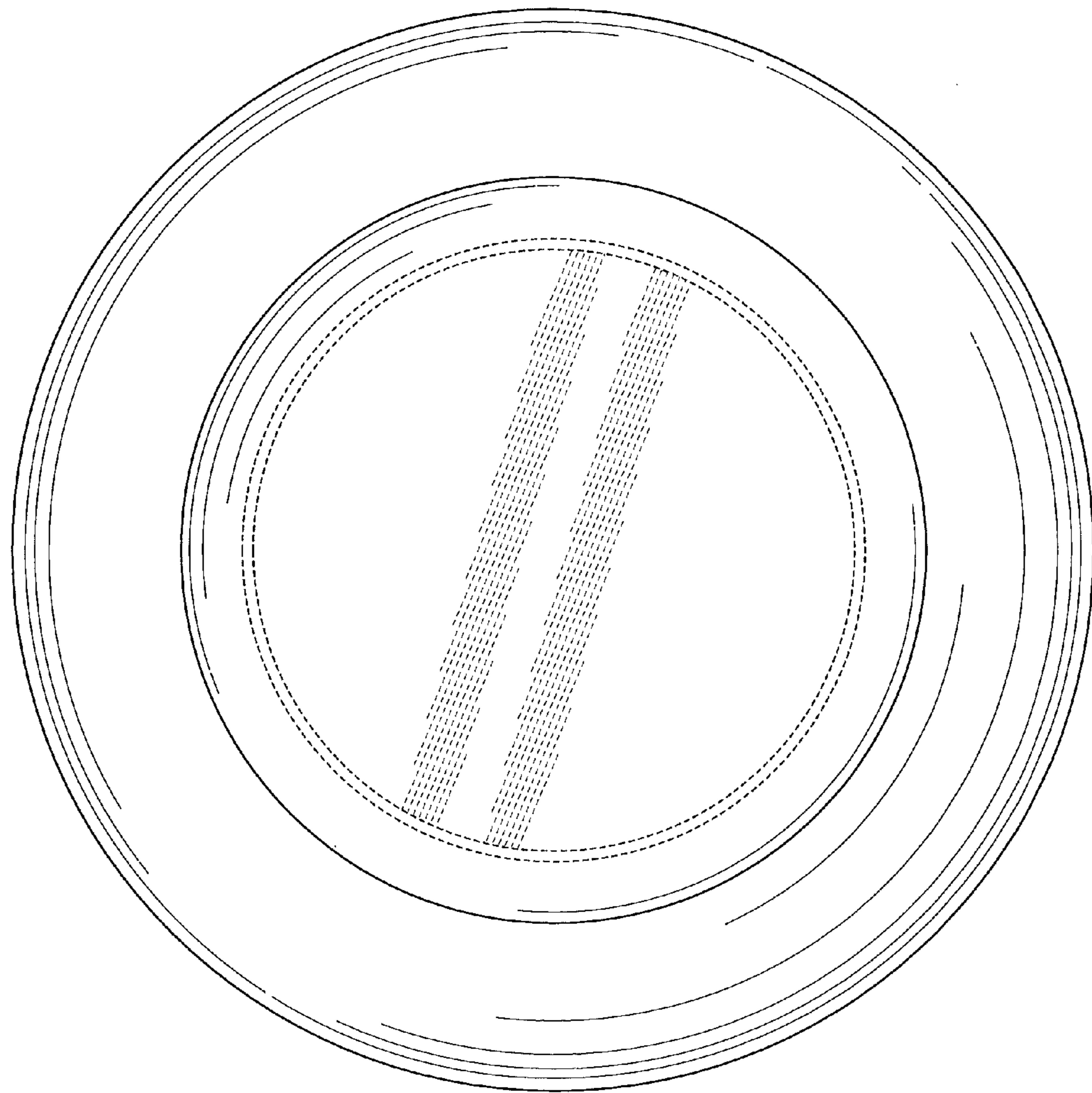


FIG. 17

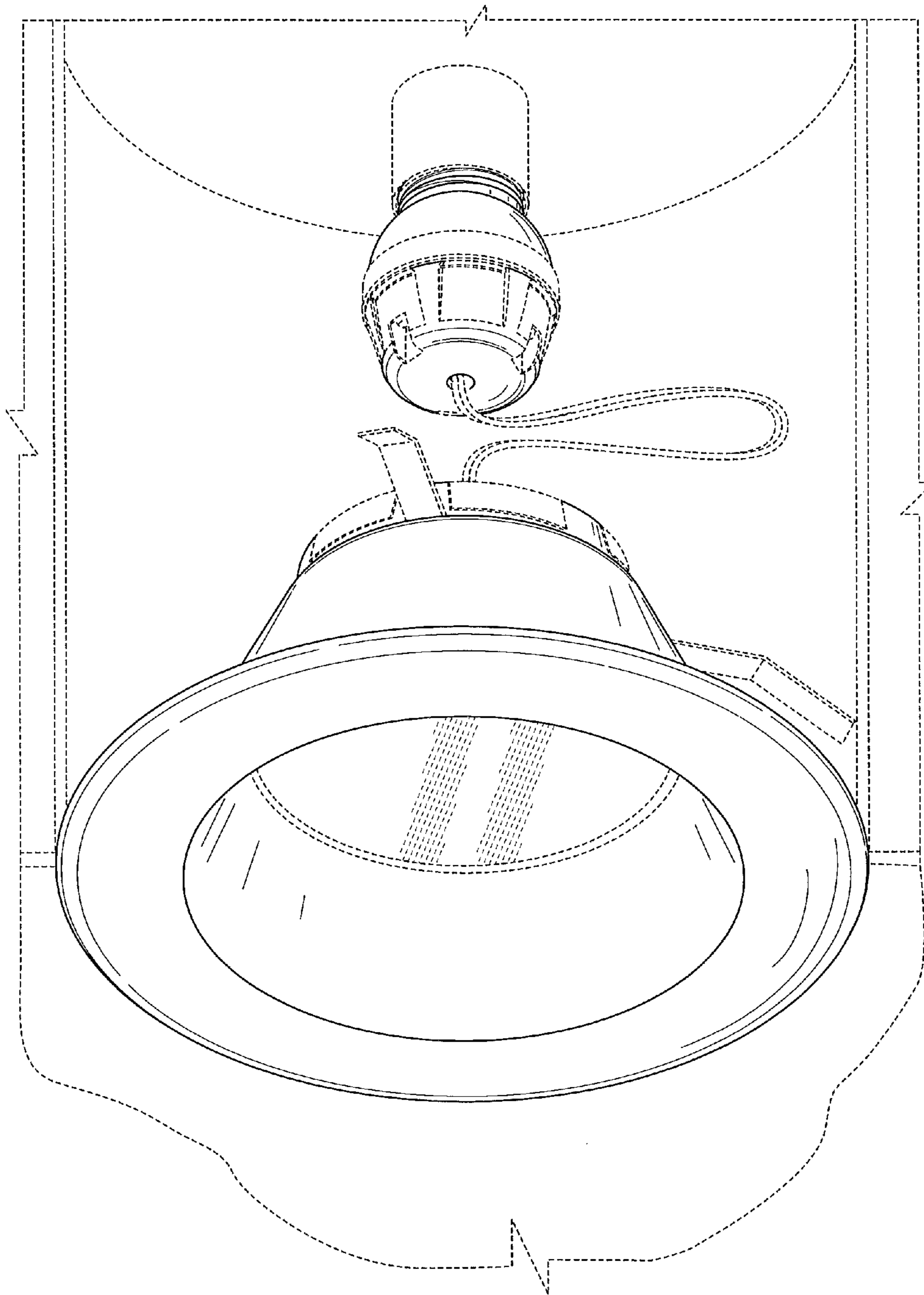


FIG. 18