



US00D731688S

(12) **United States Design Patent**
Piano

(10) **Patent No.:** **US D731,688 S**

(45) **Date of Patent:** **** Jun. 9, 2015**

(54) **LIGHTING APPARATUS**

(71) Applicant: **Iguzzini Illuminazione S.p.A.**, Recanati (IT)

(72) Inventor: **Matteo Piano**, Genoa (IT)

(73) Assignee: **Iguzzini Illuminazione S.P.A.**, Recanati (IT)

(**) Term: **14 Years**

(21) Appl. No.: **29/434,741**

(22) Filed: **Oct. 16, 2012**

(30) **Foreign Application Priority Data**

Apr. 17, 2012 (EM) 00202768-00008

(51) **LOC (10) Cl.** **26-03**

(52) **U.S. Cl.**
USPC **D26/63**

(58) **Field of Classification Search**
USPC D26/24, 60-66, 72, 85, 92, 113, 118,
D26/119; 362/287, 427, 269, 370-371, 382,
362/523

CPC F21V 21/14; F21V 15/01; F21V 14/02;
F21V 21/30; F21V 14/00; F21Y 2105/001;
F21S 8/00

See application file for complete search history.

(56) **References Cited**

U.S. PATENT DOCUMENTS

D211,388 S * 6/1968 Harrison D26/63
5,673,989 A * 10/1997 Gohl et al. 362/523
D625,870 S * 10/2010 Feigenbaum D26/63

* cited by examiner

Primary Examiner — Brian N Vinson

(74) *Attorney, Agent, or Firm* — Abelman, Frayne & Schwab

(57) **CLAIM**

The ornamental design for a lighting apparatus, as shown and described.

DESCRIPTION

FIG. 1 is a top front left side perspective view of my new lighting apparatus,

FIG. 2 is a front elevation view thereof,

FIG. 3 is a rear elevation view thereof,

FIG. 4 is a left side elevation view thereof,

FIG. 5 is a right side elevation view thereof,

FIG. 6 is a top plan view thereof, and,

FIG. 7 is a bottom plan view thereof. The structure shown in the dashed line is the background or environmental structure and is not part of the claimed design.

1 Claim, 7 Drawing Sheets

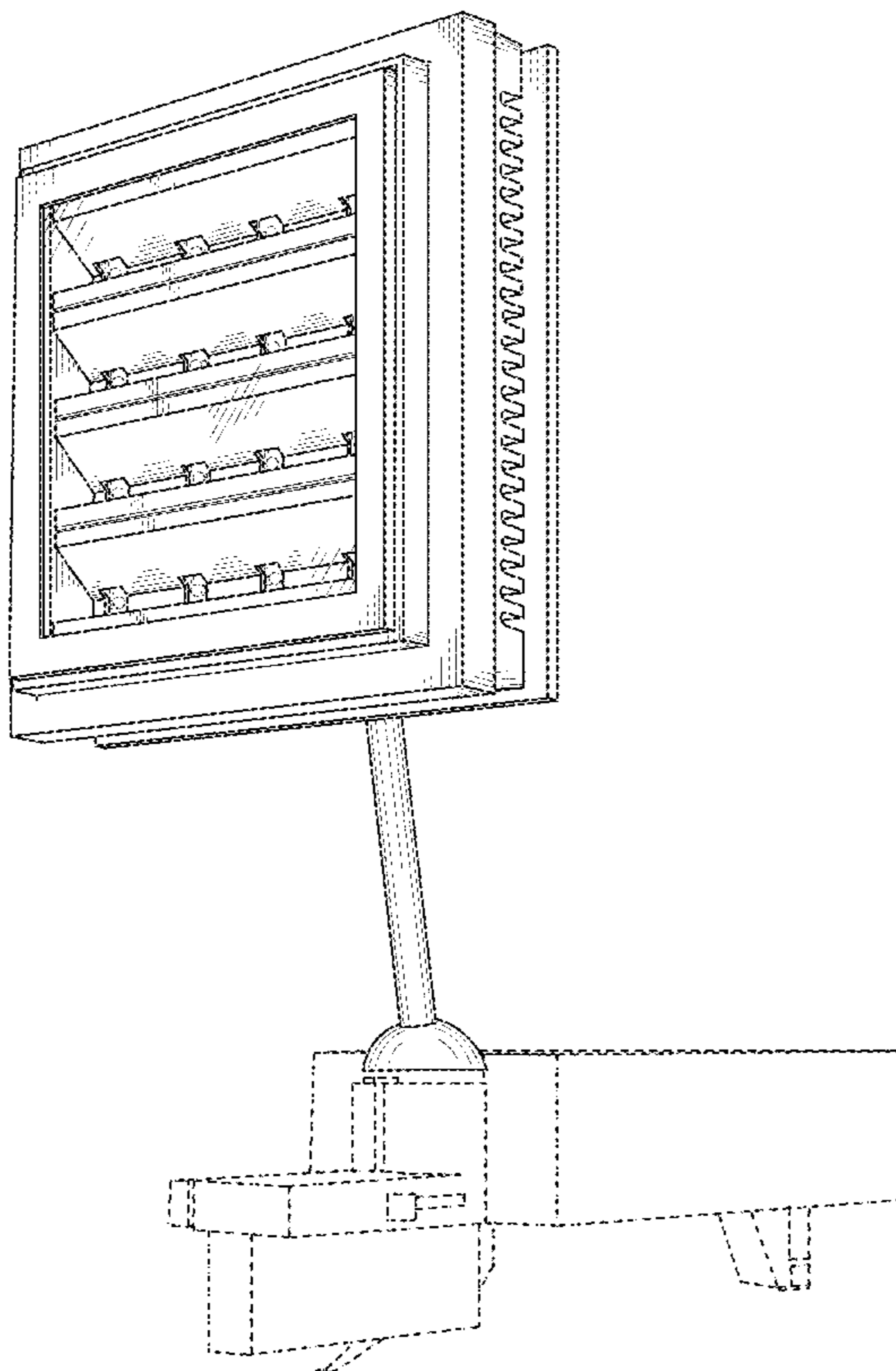


Fig. 1

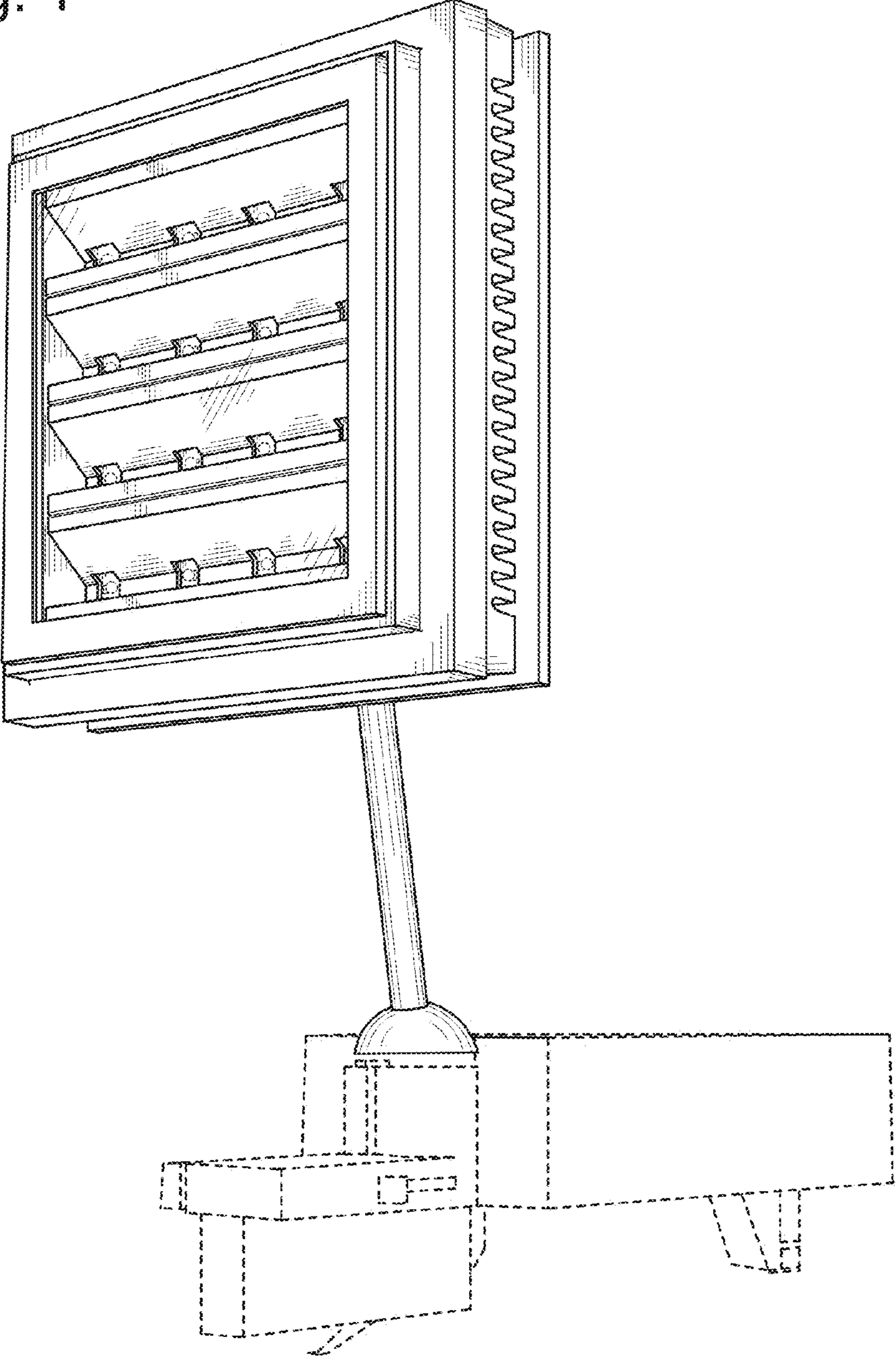


Fig. 2

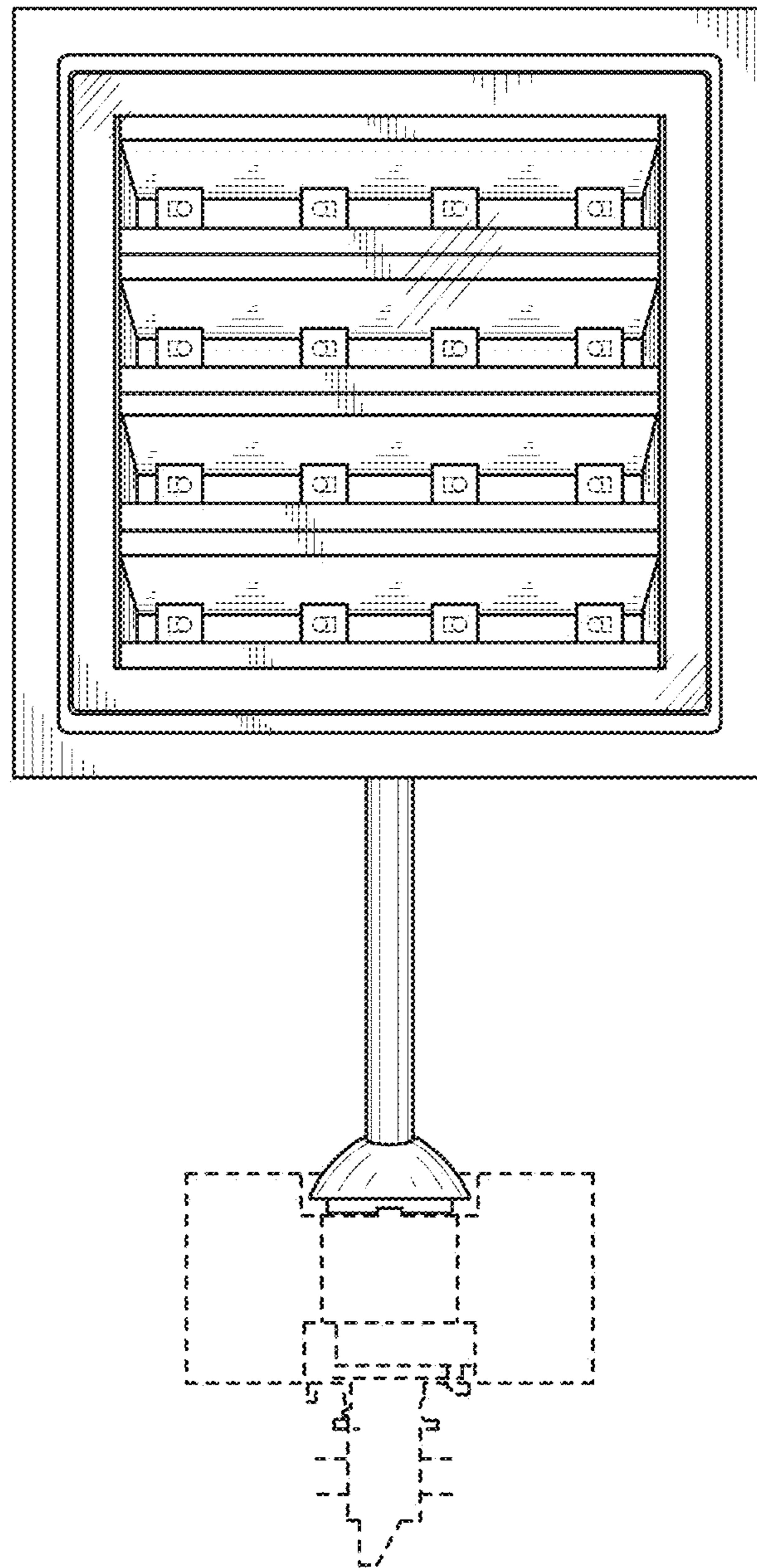


Fig. 3

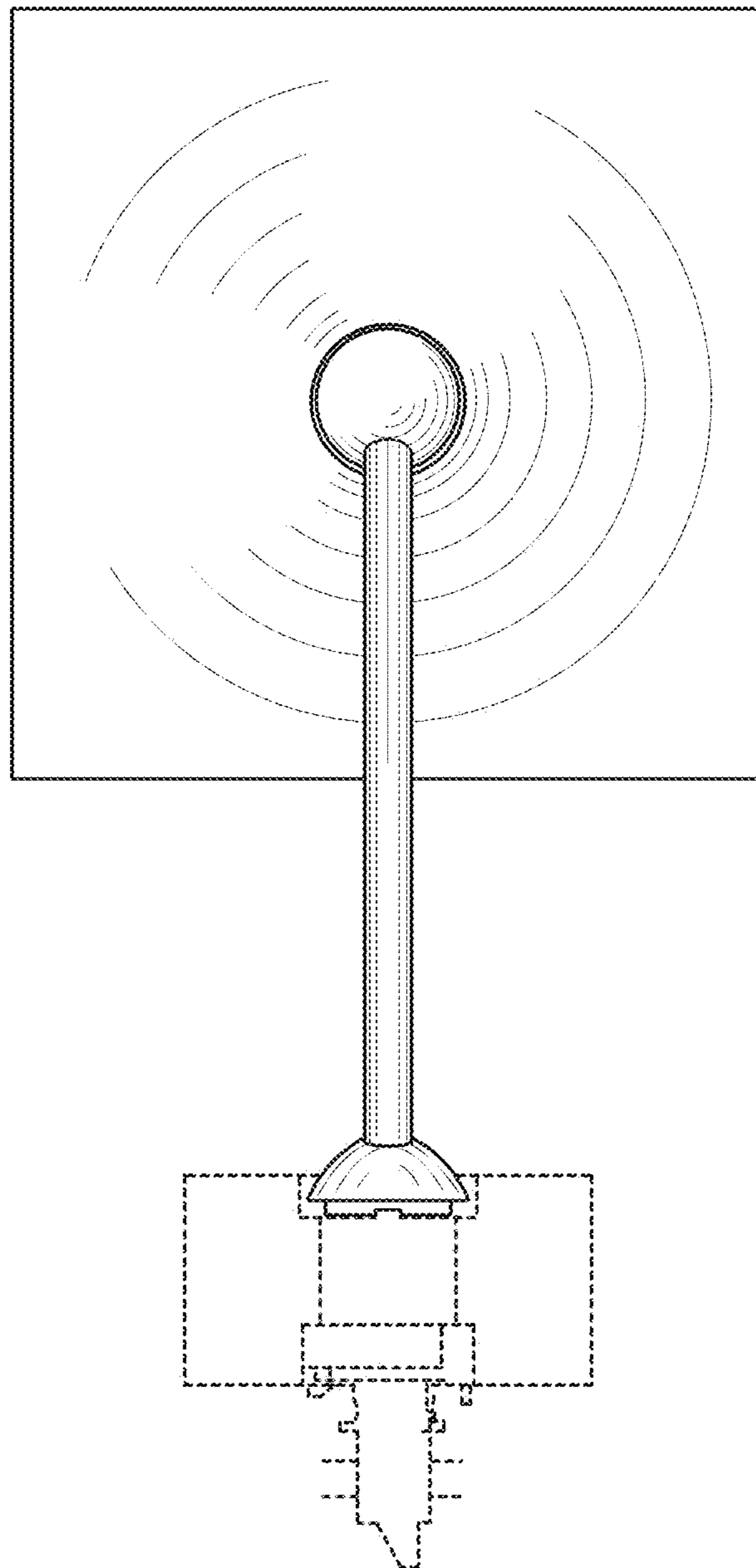


Fig. 4

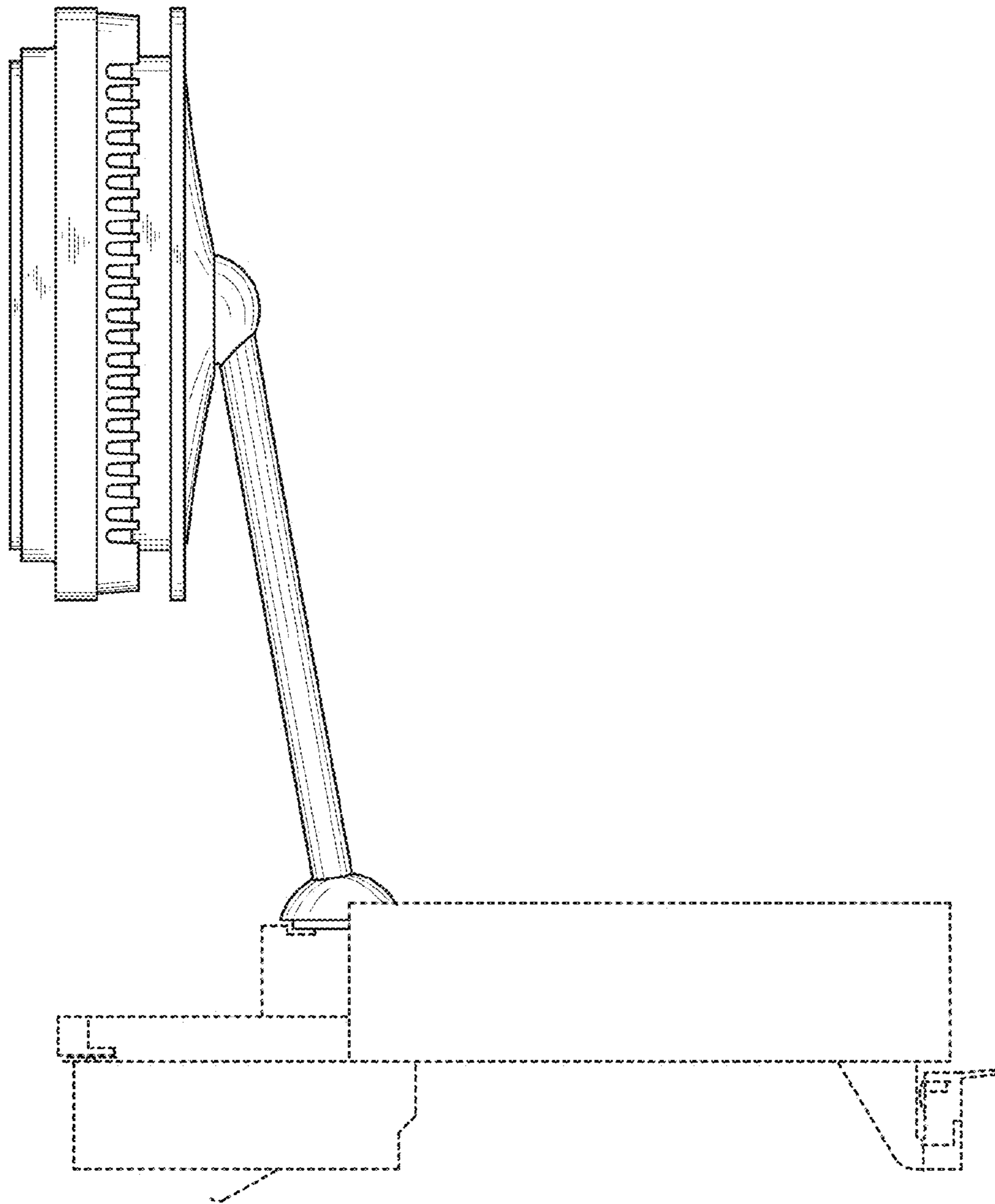


Fig. 5

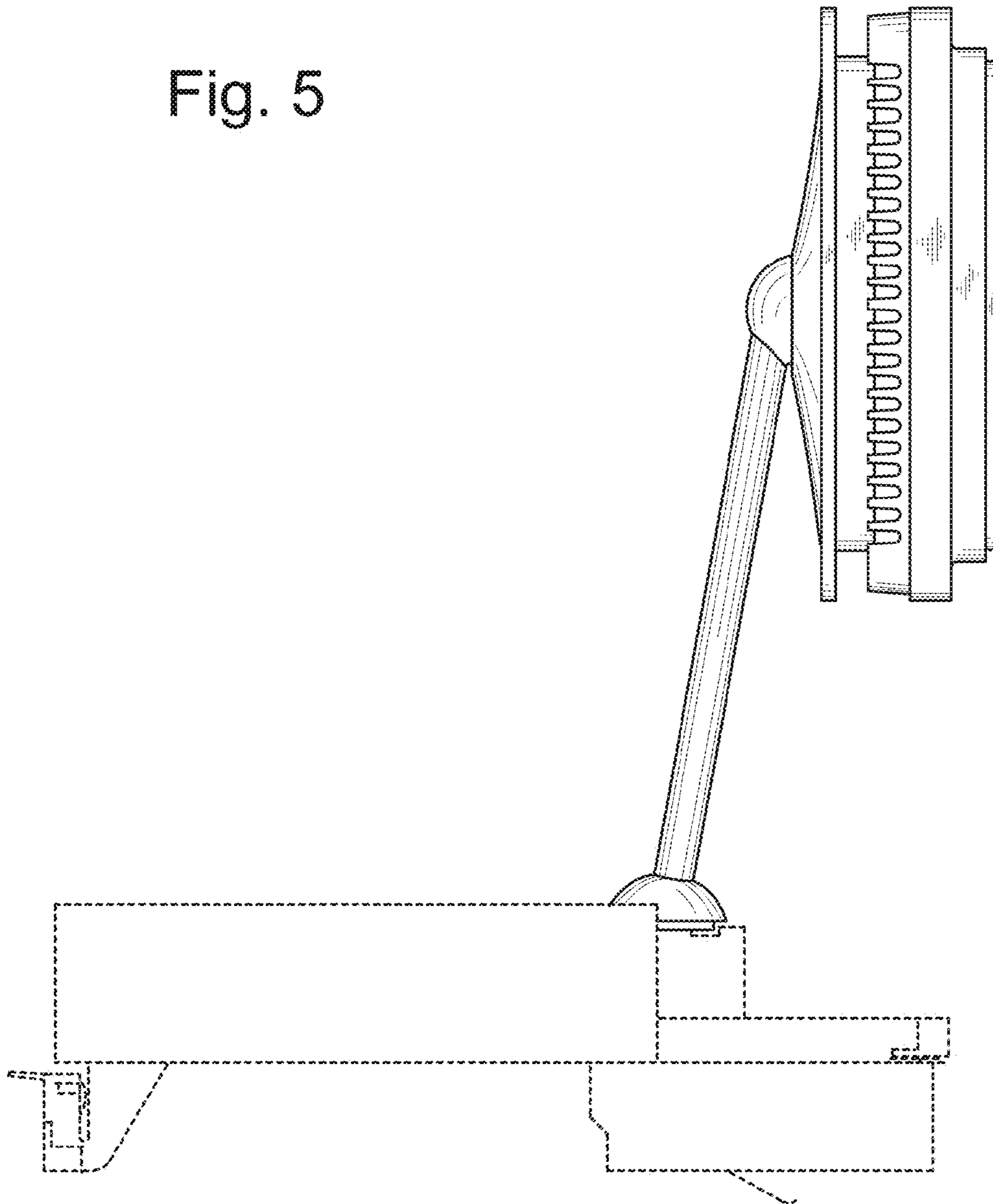


Fig. 6

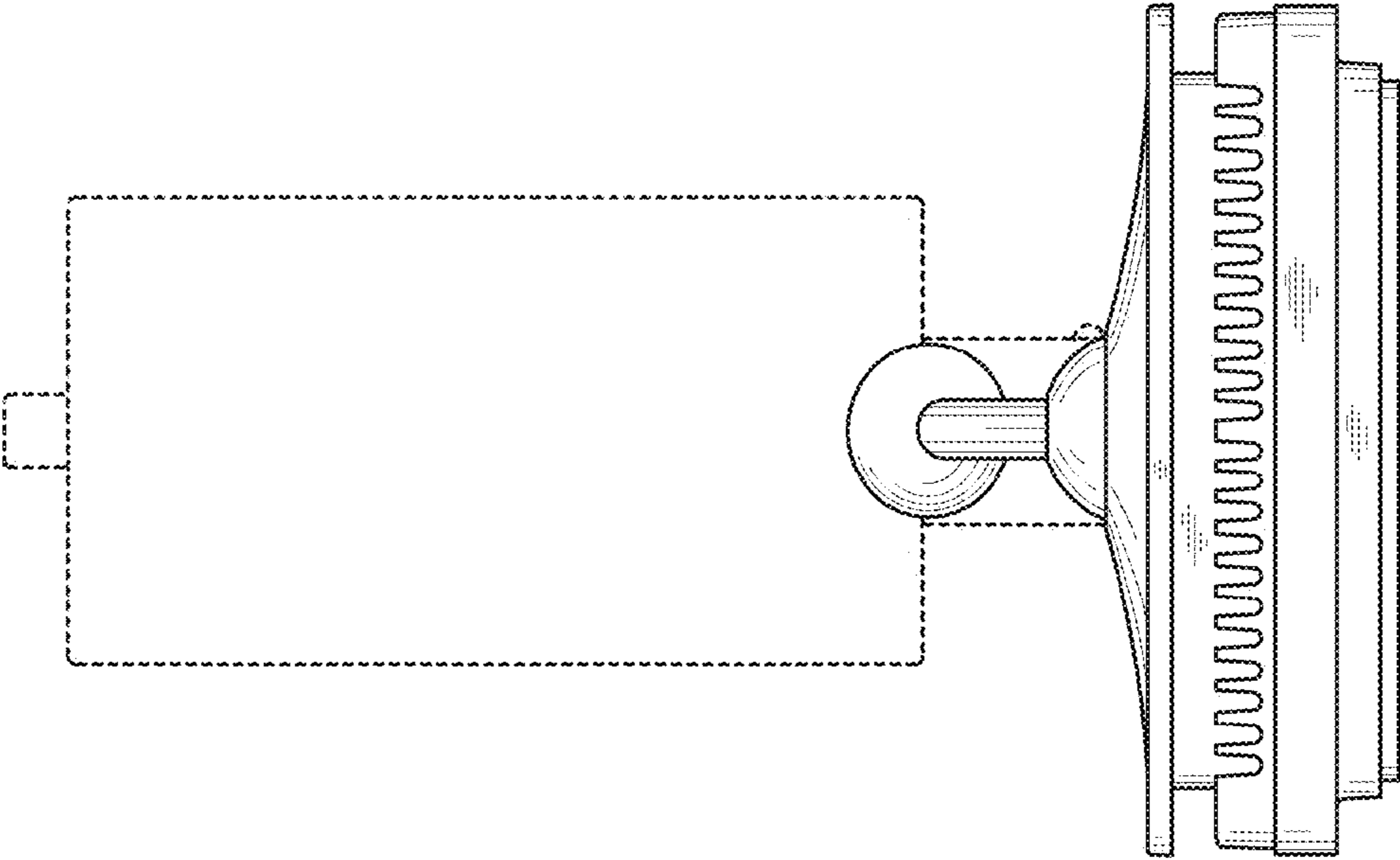


Fig. 7

