



US00D731687S

(12) **United States Design Patent**
Haws

(10) **Patent No.:** **US D731,687 S**
(45) **Date of Patent:** **** Jun. 9, 2015**

(54) **FLASHLIGHT**

(75) Inventor: **Matthew Haws**, Indianapolis, IN (US)

(73) Assignee: **Coleman Cable, LLC**, Waukegan, IL (US)

(**) Term: **14 Years**

(21) Appl. No.: **29/416,371**

(22) Filed: **Mar. 21, 2012**

(51) **LOC (10) Cl.** **26-02**

(52) **U.S. Cl.**

USPC **D26/46**

(58) **Field of Classification Search**

USPC D26/37, 38, 40, 42, 46, 49, 50;
362/157, 158, 183, 184, 194–196,
362/200–208

CPC F21L 2/00; F21L 4/00; F21L 4/005;
F21L 17/00; F21L 13/08; F21Y 2101/00;
F21V 21/30; F21V 21/406; F21W 2131/406;
F21W 2131/407

See application file for complete search history.

(56) **References Cited**

U.S. PATENT DOCUMENTS

D403,090 S *	12/1998	King et al.	D26/37
D438,656 S *	3/2001	Lupica	D26/37
D505,217 S *	5/2005	Bayat et al.	D26/42
D543,301 S *	5/2007	Chen	D26/42
D593,695 S *	6/2009	Levine	D26/42
D604,435 S *	11/2009	Kingston et al.	D26/37
D618,831 S *	6/2010	Pennington	D26/26
D637,749 S *	5/2011	Bayat et al.	D26/49
D648,054 S *	11/2011	Zhuang	D26/37
D672,894 S *	12/2012	Bayat et al.	D26/42
D684,283 S *	6/2013	Zhou et al.	D26/49
D691,310 S *	10/2013	Zhou et al.	D26/37
D694,446 S *	11/2013	Zhou et al.	D26/42
D698,056 S *	1/2014	Forbes et al.	D26/49

OTHER PUBLICATIONS

U.S. Patent and Trademark Office, Supplemental Trademark Registration No. 3,999,974 to Bayco Products, Inc., registered Jul. 19, 2011.

Product information for 1100 Series Nightstick manufactured by Bayco Products, Inc., Jun. 2008.

Product information for prior art 4 LED and 13 LED Work Lights manufactured and sold by Bayco Products, Inc. (Date unknown).

Printout of web page detailing product information for Rite Lite Model No. LPL756 18 LED Work Task Light offered for sale by Rite Light on Amazon.com (Oct. 25, 2011).

(Continued)

Primary Examiner — Ian Simmons

Assistant Examiner — Carissa C Fitts

(74) *Attorney, Agent, or Firm* — Patzik, Frank & Samotny Ltd.

(57) **CLAIM**

The ornamental design for a flashlight, as shown and described.

DESCRIPTION

FIG. 1 is a front perspective view of the flashlight of the present invention;

FIG. 2 is a front elevation view of the flashlight of the present invention;

FIG. 3 is a rear elevation view of the flashlight of the present invention;

FIG. 4 is a top plan view of the flashlight of the present invention;

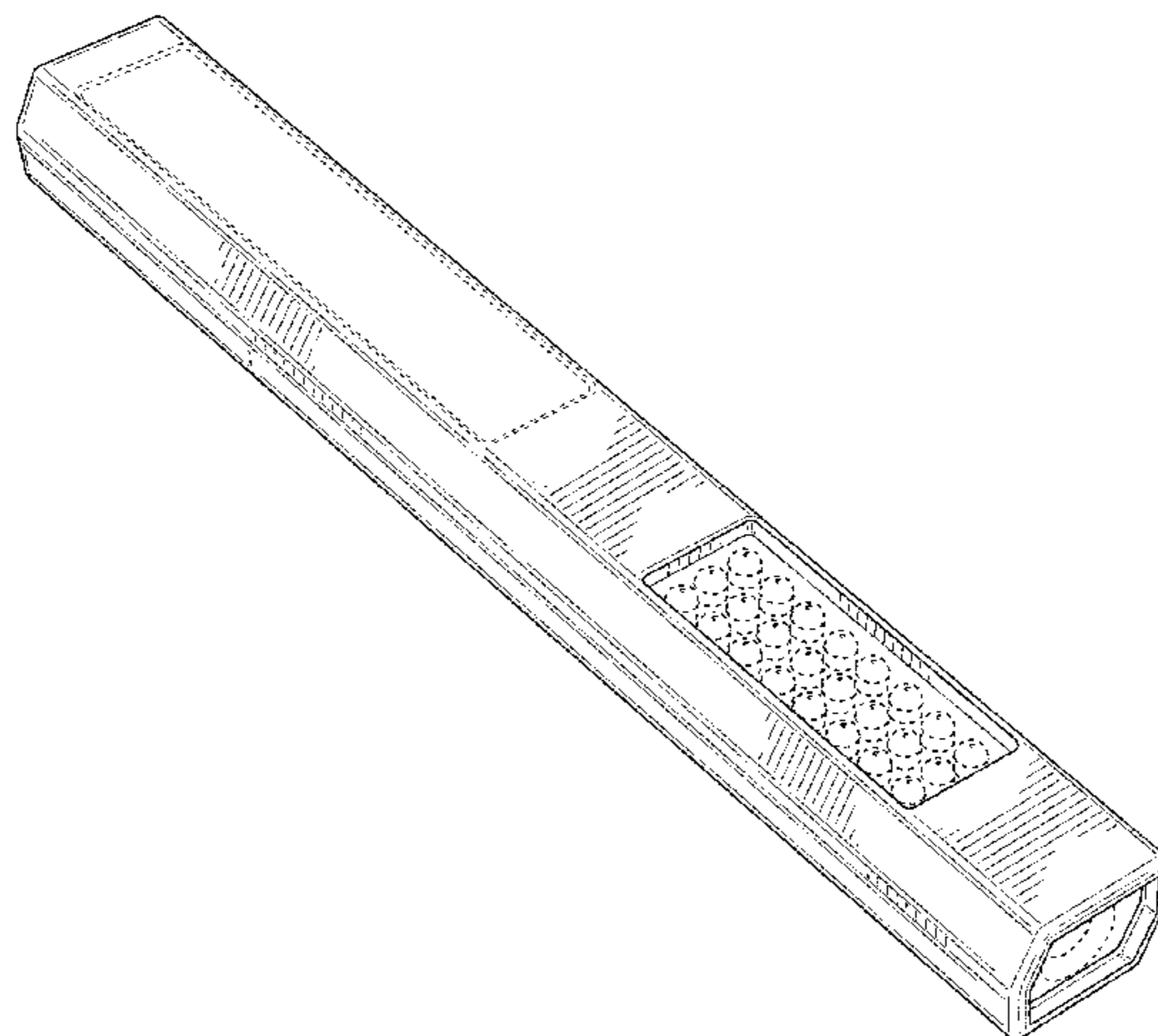
FIG. 5 is a bottom plan view of the flashlight of the present invention;

FIG. 6 is a right side elevation view of the flashlight of the present invention; and,

FIG. 7 is a left side elevation view of the flashlight of the present invention.

The portions of the flashlight shown in broken lines form no part of the claimed design.

1 Claim, 6 Drawing Sheets



(56)

References Cited

OTHER PUBLICATIONS

Printout of web page detailing product information for Alert Stamping Model No. LER48C 48 LED Rechargeable Light offered for sale by Alert Stamping on Amazon.com (Oct. 25, 2011).

Printout of web page detailing product information for Ultra-Slim Profile 28 LED Cordless Worklight with Flashlight-Magnetic+Hook offered for sale by JA on Amazon.com (Oct. 25, 2011).

Printout of web page detailing product information for Woods Model No. 3153 LED Work Light offered for sale by Assignee on Amazon.com (Oct. 25, 2011).

Coleman Cable, Inc., photograph of prior art product and packaging for The Designers Edge™ Model No. L1413, 13 LED Slimlight™ With Magnet, Task & Spotlight (Date unknown).

The Designers Edge, Inc., photograph of prior art product of Model No. L1125, 25 LED Slim Line™ Task Light (Date unknown).

* cited by examiner

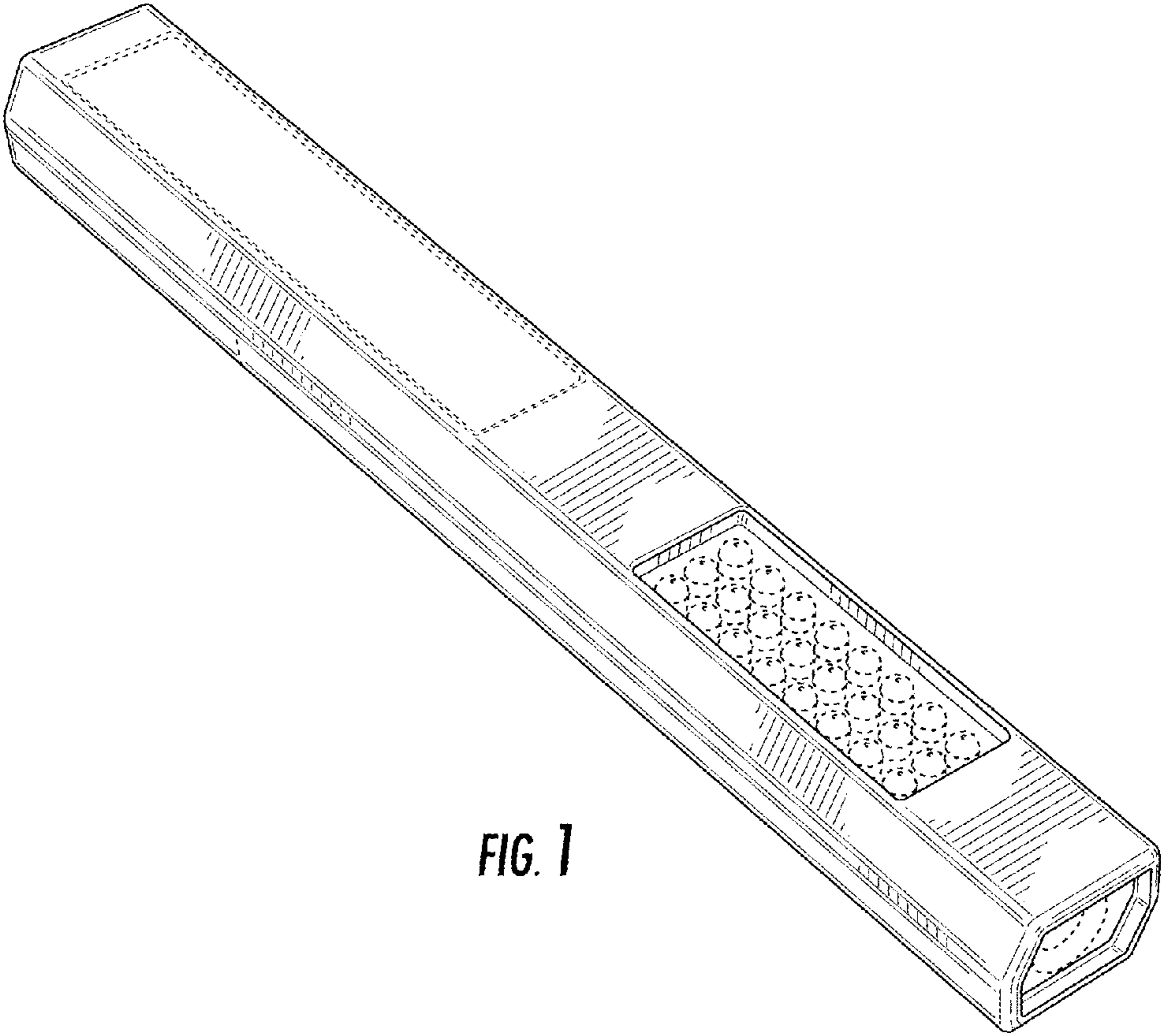


FIG. 1

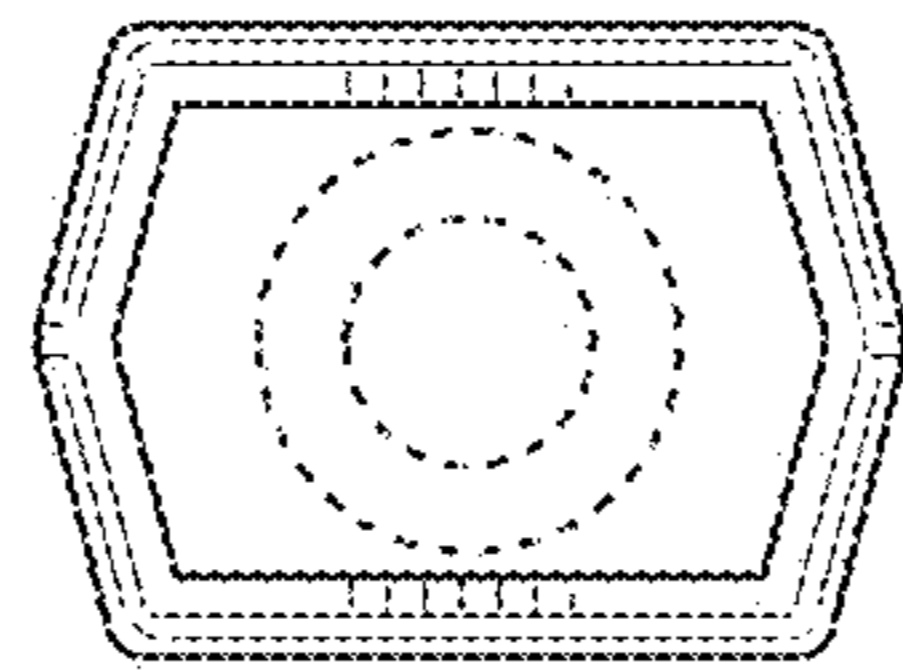


FIG. 2

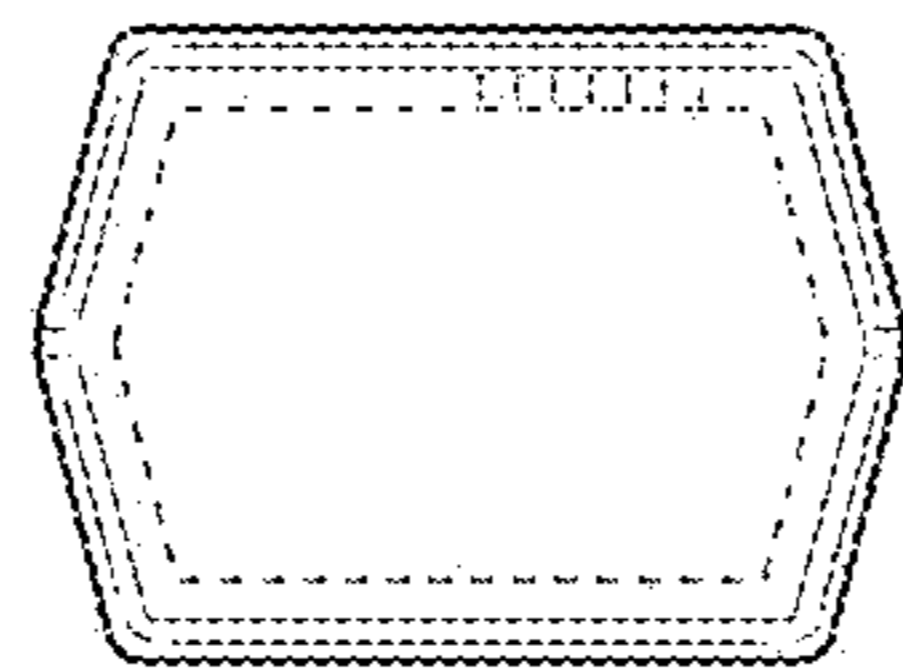


FIG. 3

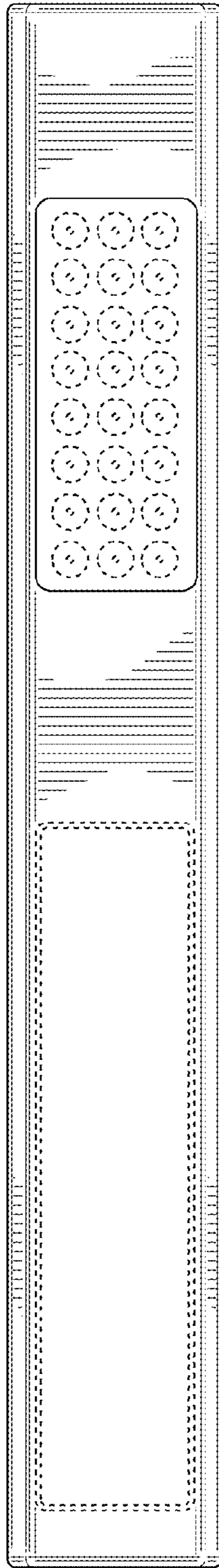


FIG. 4

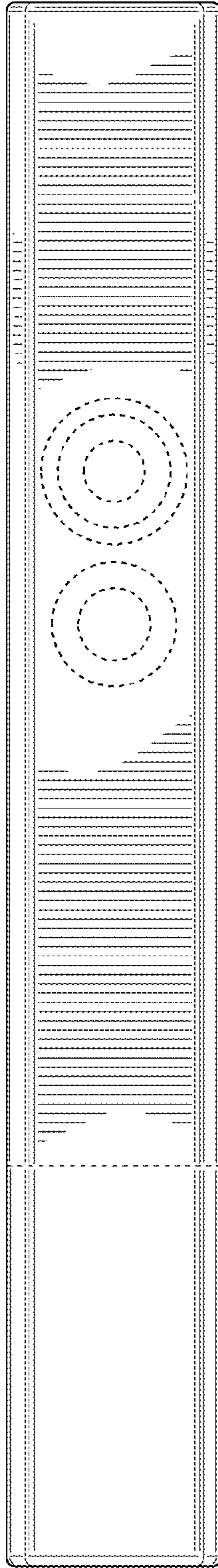


FIG. 5

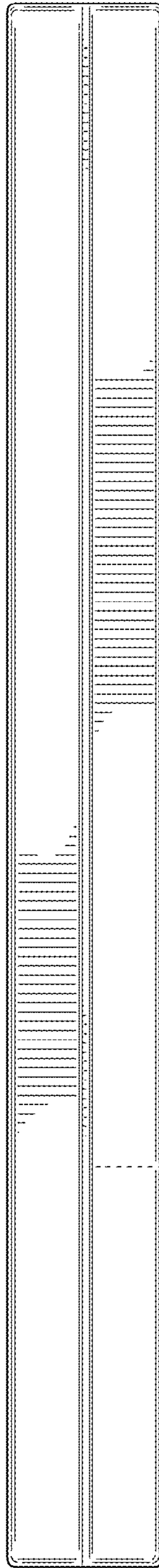


FIG. 6

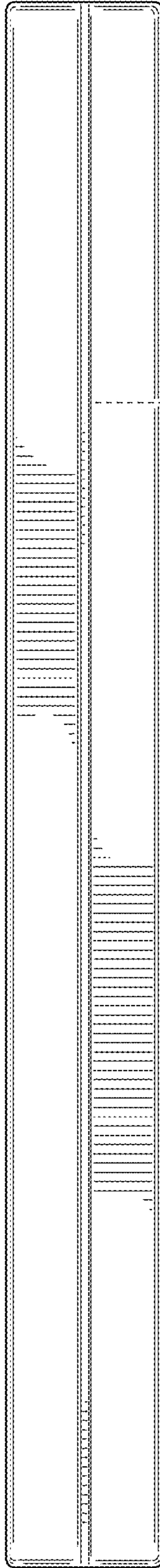


FIG. 7