



US00D731685S

(12) **United States Design Patent**
Young

(10) **Patent No.:** **US D731,685 S**
(45) **Date of Patent:** **** Jun. 9, 2015**

(54) **COLLAPSIBLE PILLAR CANDLESTICK AND VASE**

2005/0127074 A1* 6/2005 Kusuma et al. 220/6
2008/0115412 A1* 5/2008 Armstrong 47/41.01
2013/0277364 A1* 10/2013 Kusuma et al. 220/8

(71) Applicant: **Infusion Living LLC**, West Chester, PA (US)

* cited by examiner

(72) Inventor: **Wei Young**, Flushing, NY (US)

Primary Examiner — T. Chase Nelson

(73) Assignee: **INFUSION LIVING LLC**, West Chester, PA (US)

Assistant Examiner — Ania Aman

(74) *Attorney, Agent, or Firm* — Manion Gaynor & Manning LLP; Lawrence K. DeMeo

(**) Term: **14 Years**

(57) **CLAIM**

The ornamental design for a collapsible pillar candlestick and vase, as shown and described.

(21) Appl. No.: **29/464,455**

(22) Filed: **Aug. 16, 2013**

DESCRIPTION

(51) **LOC (10) Cl.** **26-01**

(52) **U.S. Cl.**
USPC **D26/10**

(58) **Field of Classification Search**
USPC D26/5-23; D11/143-156, 131, 131.1, D11/157, 164; D6/556-558, 403-405; D8/1; 431/299, 125, 126, 292, 289; D7/500, 509, 523, 510, 511, 533, 532, D7/524, 566, 570, 545, 354, 586, 515, 518, D7/521, 549, 554.3, 562, 564; D9/428, D9/500, 502, 520, 538, 539; D19/88, D19/80-82, 84, 85; 220/8, 6; 215/382; 47/41.01; 383/104

See application file for complete search history.

(56) **References Cited**

U.S. PATENT DOCUMENTS

D329,406 S	9/1992	Grosfillex	
D331,549 S	12/1992	Embree	
D331,727 S	12/1992	Grosfillex	
5,642,826 A *	7/1997	Melrose	215/382
D422,101 S	3/2000	Barraclough et al.	
D458,869 S	6/2002	Chung	
D611,878 S	3/2010	Zeisner	
D653,161 S	1/2012	Harshman	
D674,724 S	1/2013	Caccavari et al.	
D702,591 S *	4/2014	Young	D11/152

FIG. 1 is a front view of a collapsible pillar candlestick and vase according to the present design; The rear and side views are identical to the front view thereof; FIG. 2 is a bottom view thereof; FIG. 3 is a top view thereof; FIG. 4 is a perspective view thereof; FIG. 5 is a perspective view thereof with the design flipped such that the top portion and the bottom portion have been reversed so that the bottom portion appears at the top of the figure according to the present design; FIG. 6 is a perspective view thereof with the topmost portion folded according to the present design; FIG. 7 is a perspective view thereof with the topmost portion folded according to the present design and with the design flipped such that the top portion and the bottom portion have been reversed so that the bottom portion appears at the top of the figure according to the present design; FIG. 8 is a perspective view thereof with the top two portions folded according to the present design; FIG. 9 is a perspective view thereof with the top two portions folded according to the present design and with the design flipped such that the top portion and the bottom portion have been reversed so that the bottom portion appears at the top of the figure according to the present design; FIG. 10 is a perspective view thereof with the topmost portion of the central rounded section folded into the centermost portion according to the present design;

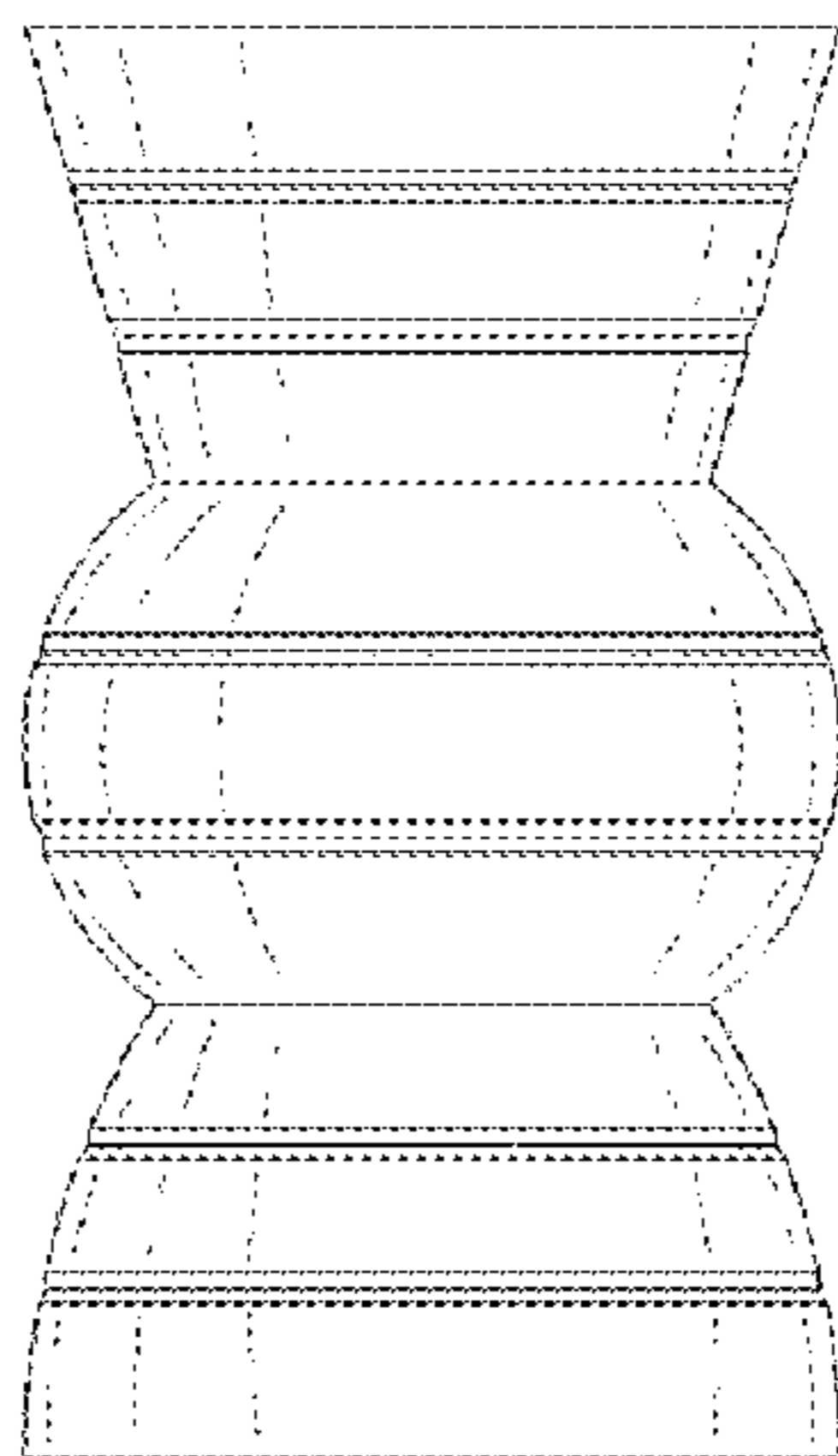


FIG. 11 is a perspective view thereof with the topmost portion of the central rounded section folded into the centermost portion according to the present design and with the design flipped such that the top portion and the bottom portion have been reversed so that the bottom portion appears at the top of the figure according to the present design;

FIG. 12 is a perspective view thereof with the bottom portion of the central rounded section folded according to the present design;

FIG. 13 is a perspective view thereof with the bottom portion of the central rounded section folded according to the present design and with the design flipped such that the top portion and the bottom portion have been reversed so that the bottom portion appears at the top of the figure according to the present design;

FIG. 14 is a perspective view thereof with the two bottommost portions folded according to the present design;

FIG. 15 is a perspective view thereof with the two bottommost portions folded according to the present design and with the design flipped such that the top portion and the bottom portion have been reversed so that the bottom portion appears at the top of the figure according to the present design;

FIG. 16 is a perspective view thereof with the two bottommost portions folded according to the present design and with the top two portions folded according to the present design;

FIG. 17 is a perspective view thereof with the two bottommost portions folded according to the present design and with the top two portions folded according to the present design and with the design flipped such that the top portion and the bottom portion have been reversed so that the bottom portion appears at the top of the figure according to the present design;

FIG. 18 is a perspective view thereof with the two bottommost portions folded and with the topmost portion of the central rounded section folded into the centermost portion according to the present design; and,

FIG. 19 is a perspective view thereof with the two bottommost portions folded and with the topmost portion of the central rounded section folded into the centermost portion according to the present design and with the design flipped such that the top portion and the bottom portion have been reversed so that the bottom portion appears at the top of the figure according to the present design.

1 Claim, 19 Drawing Sheets

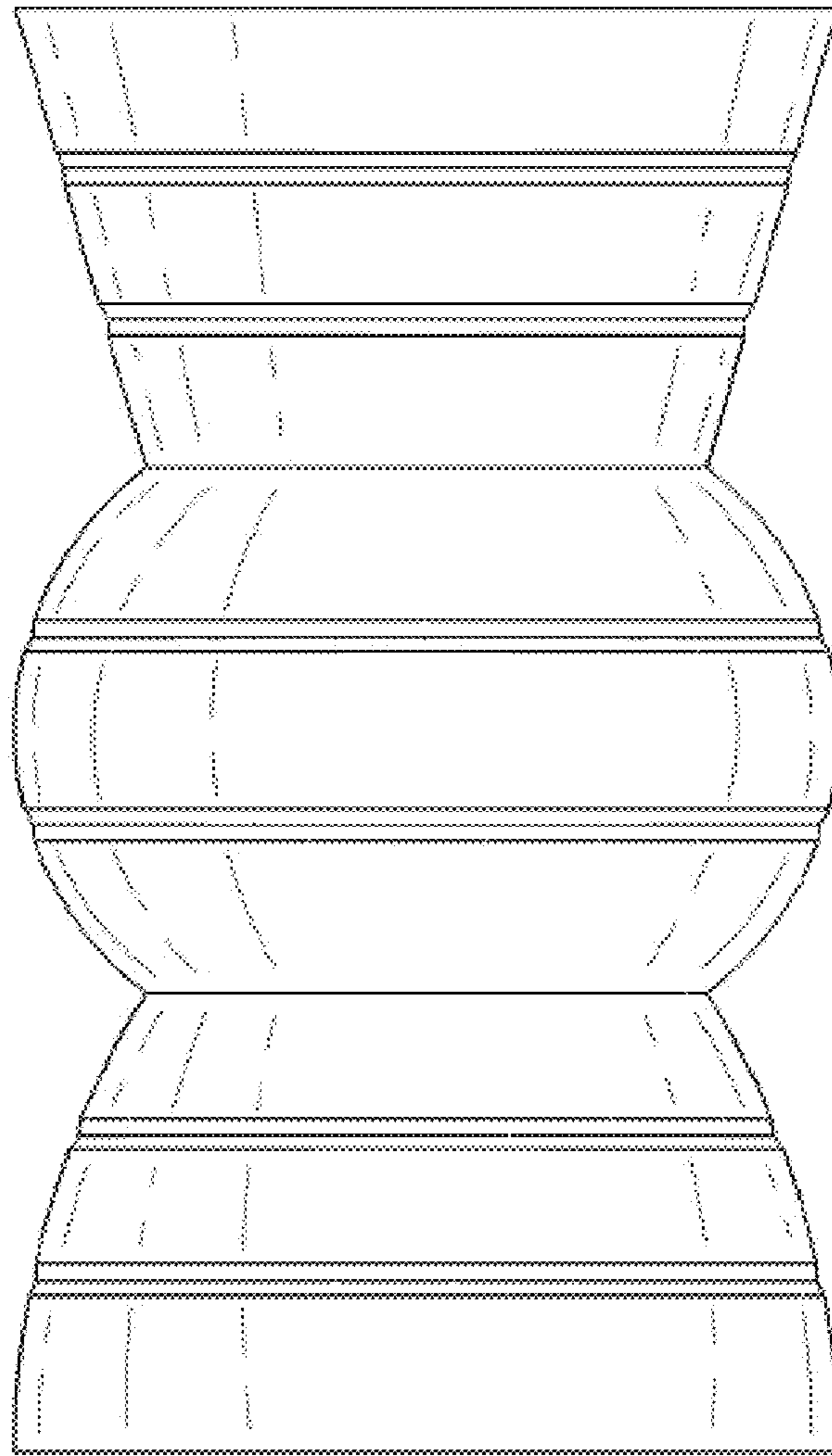


Figure 1

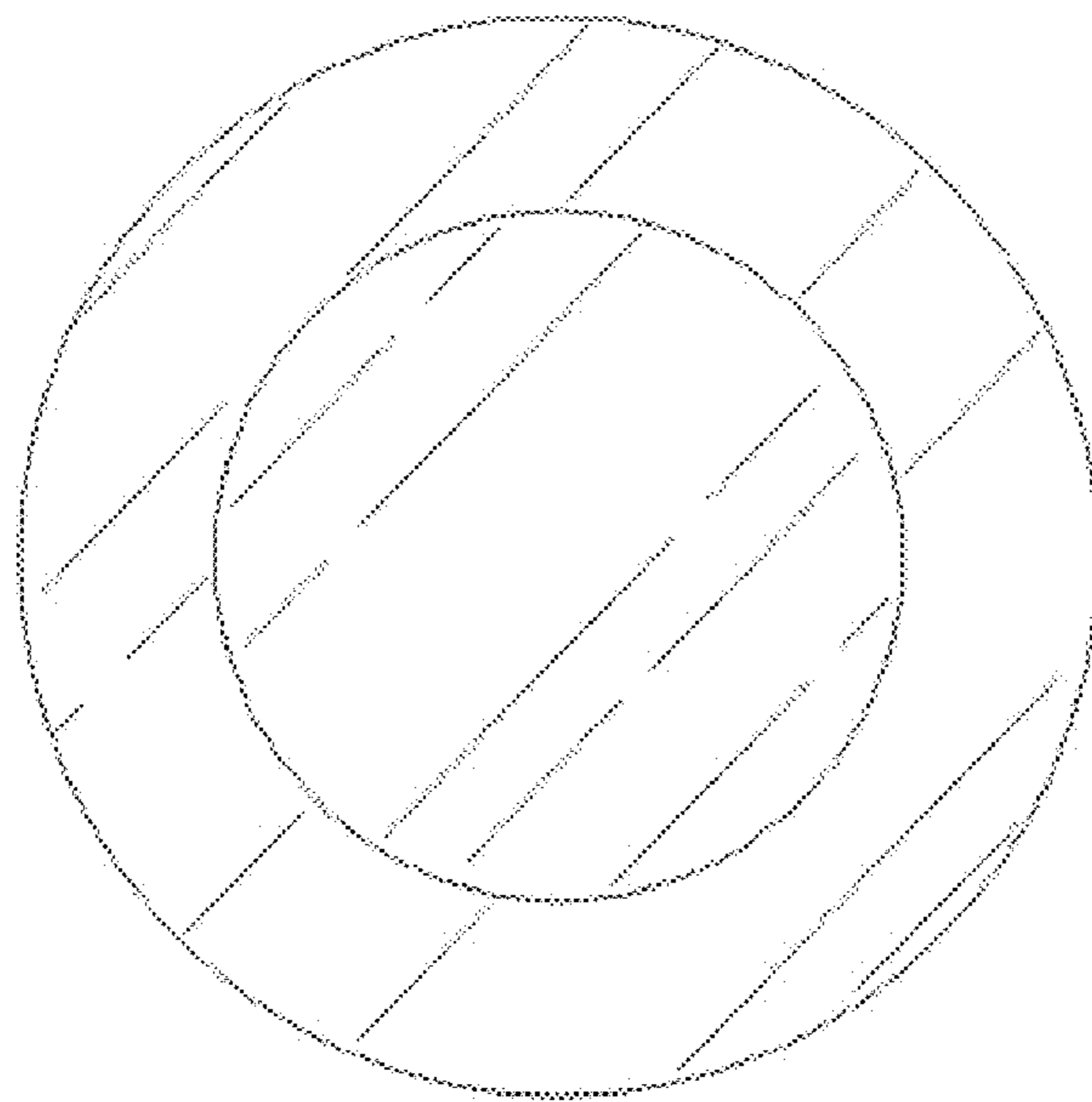


Figure 2

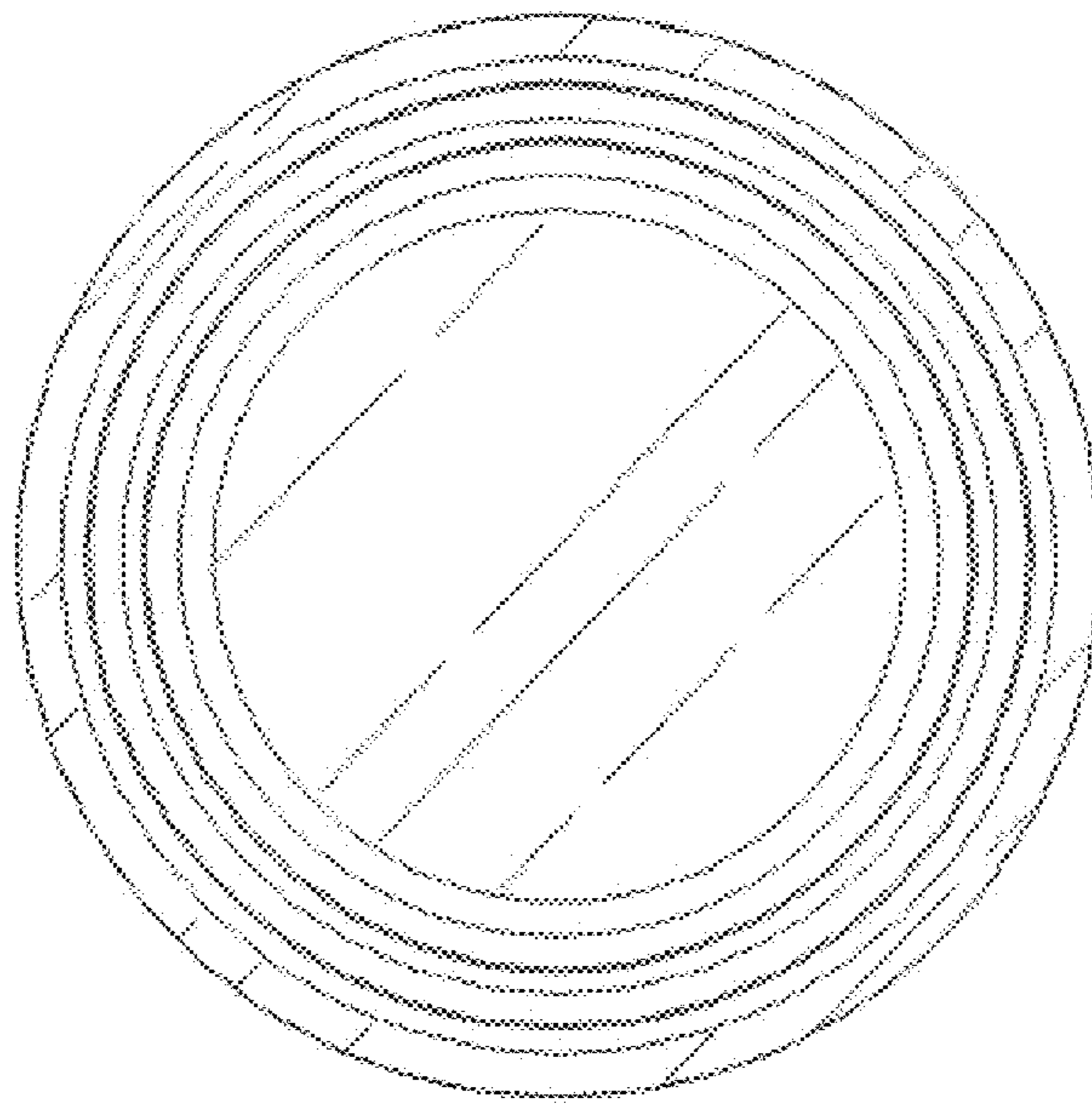


Figure 3

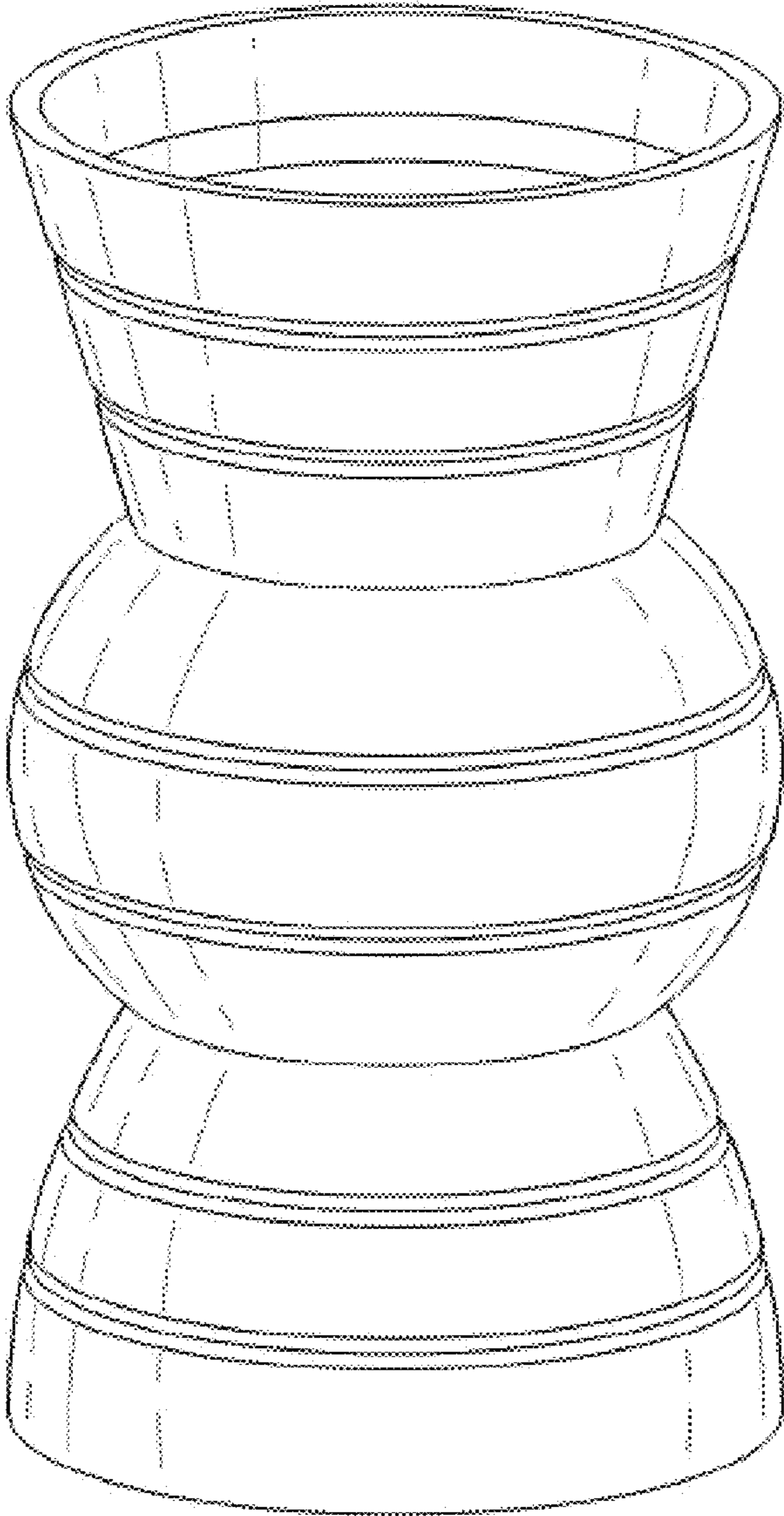


Figure 4

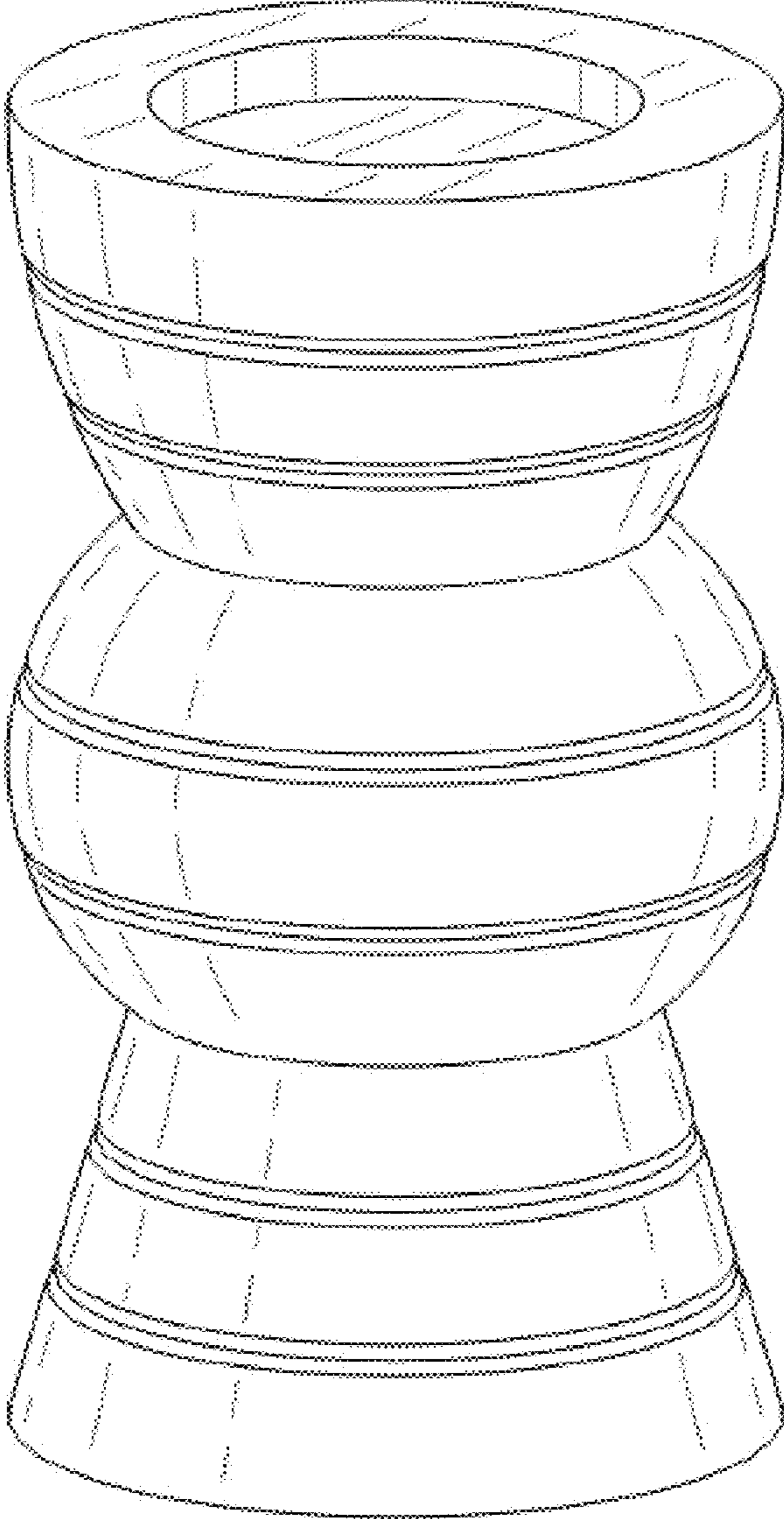


Figure 5

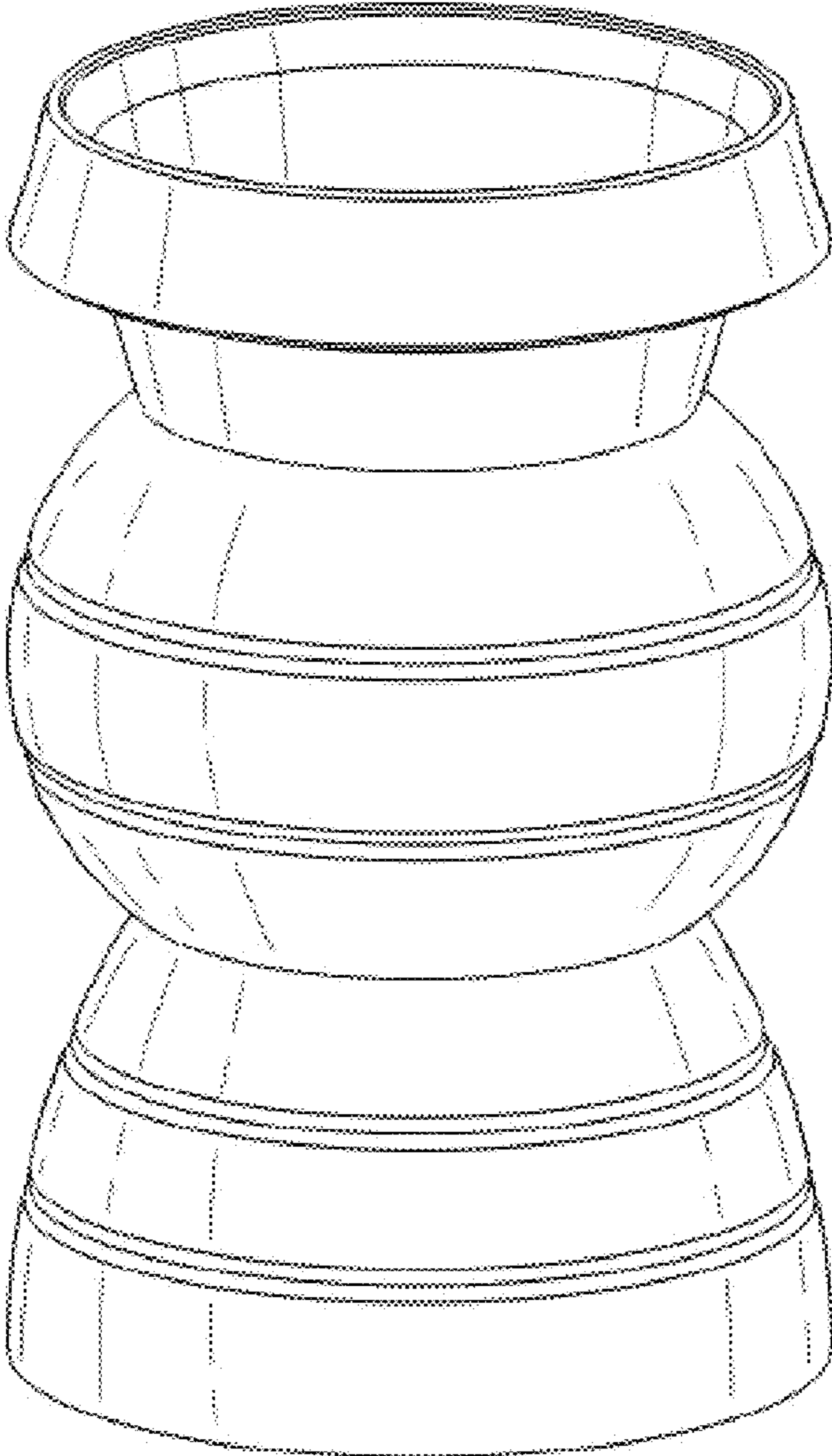


Figure 6

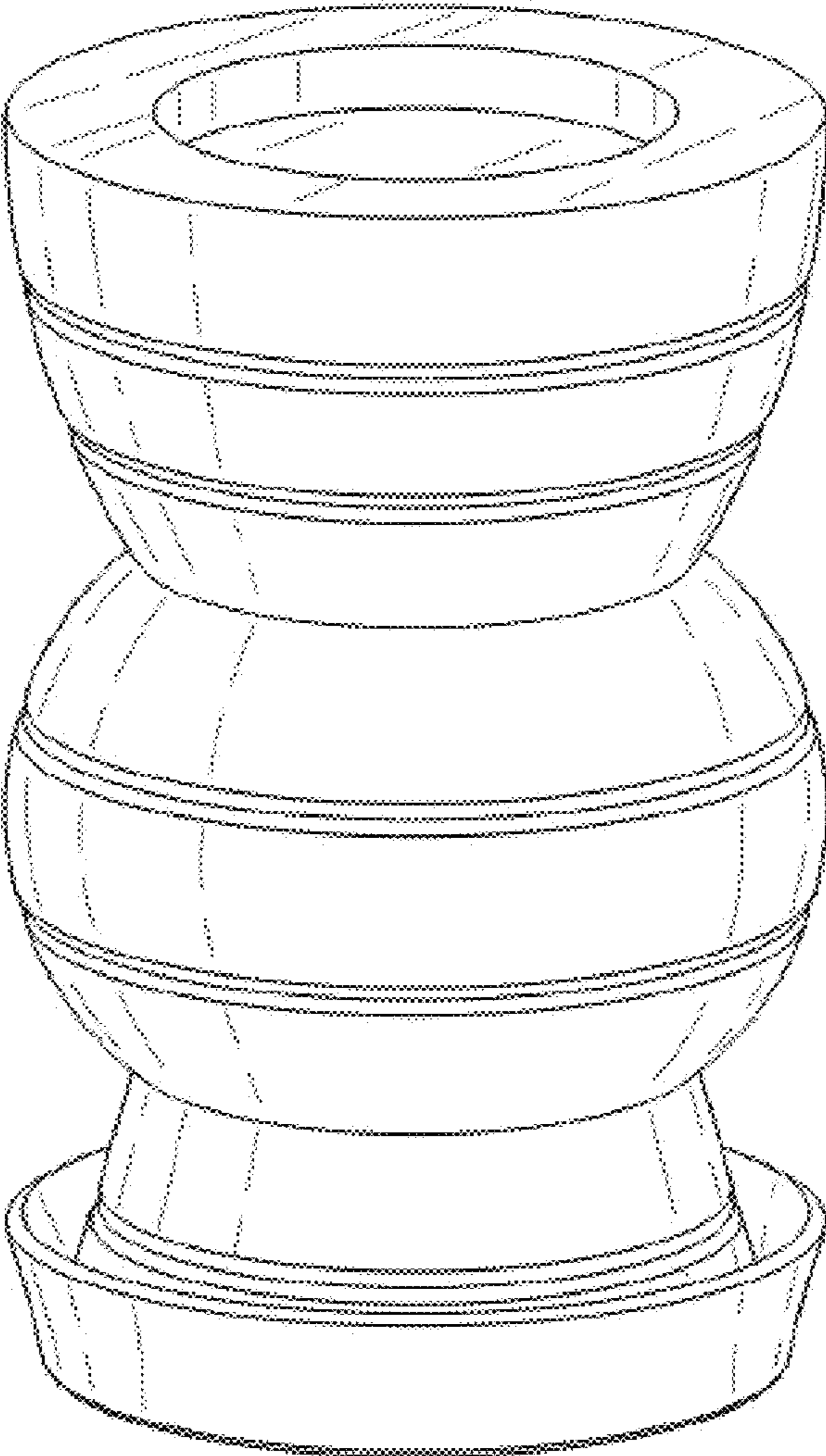


Figure 7

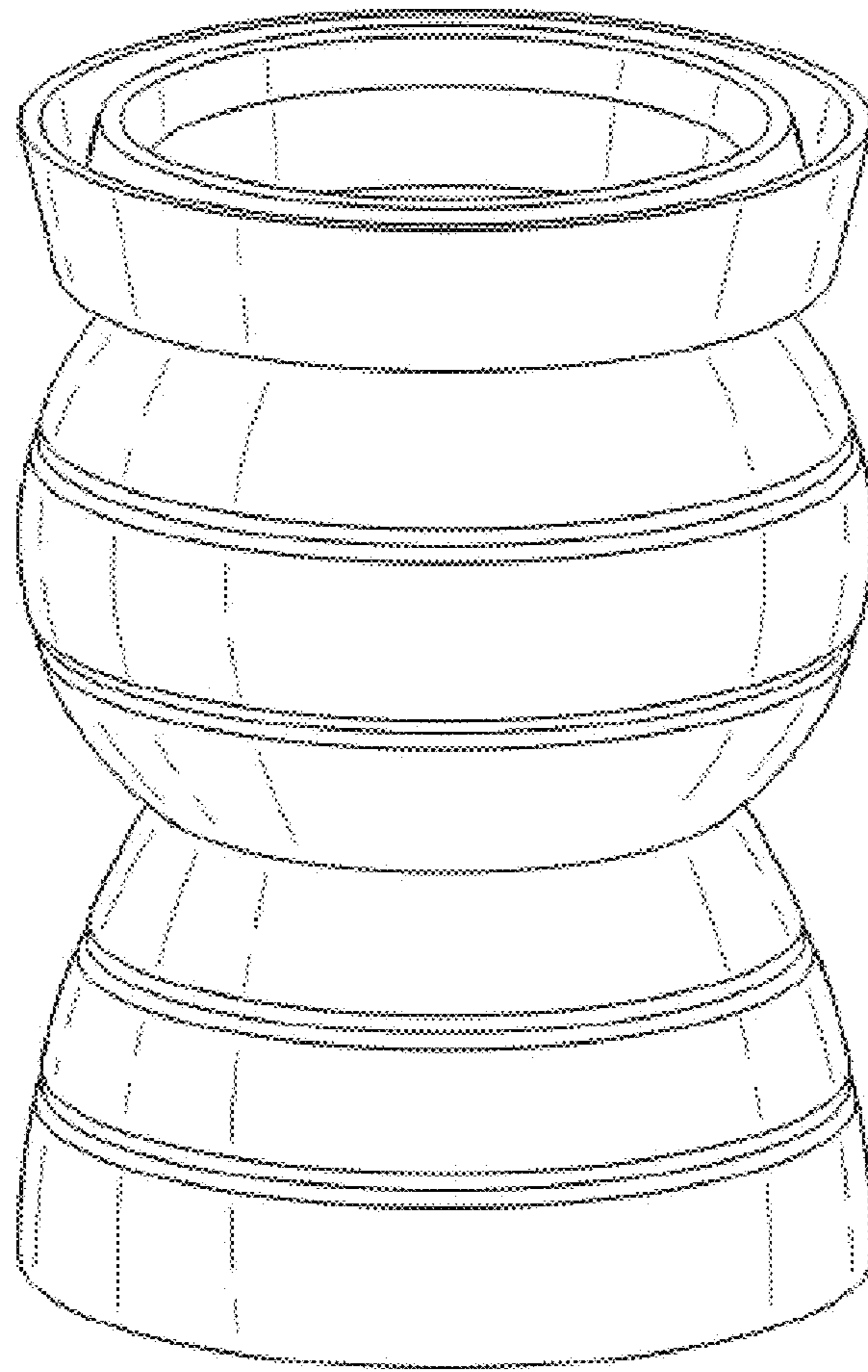


Figure 8

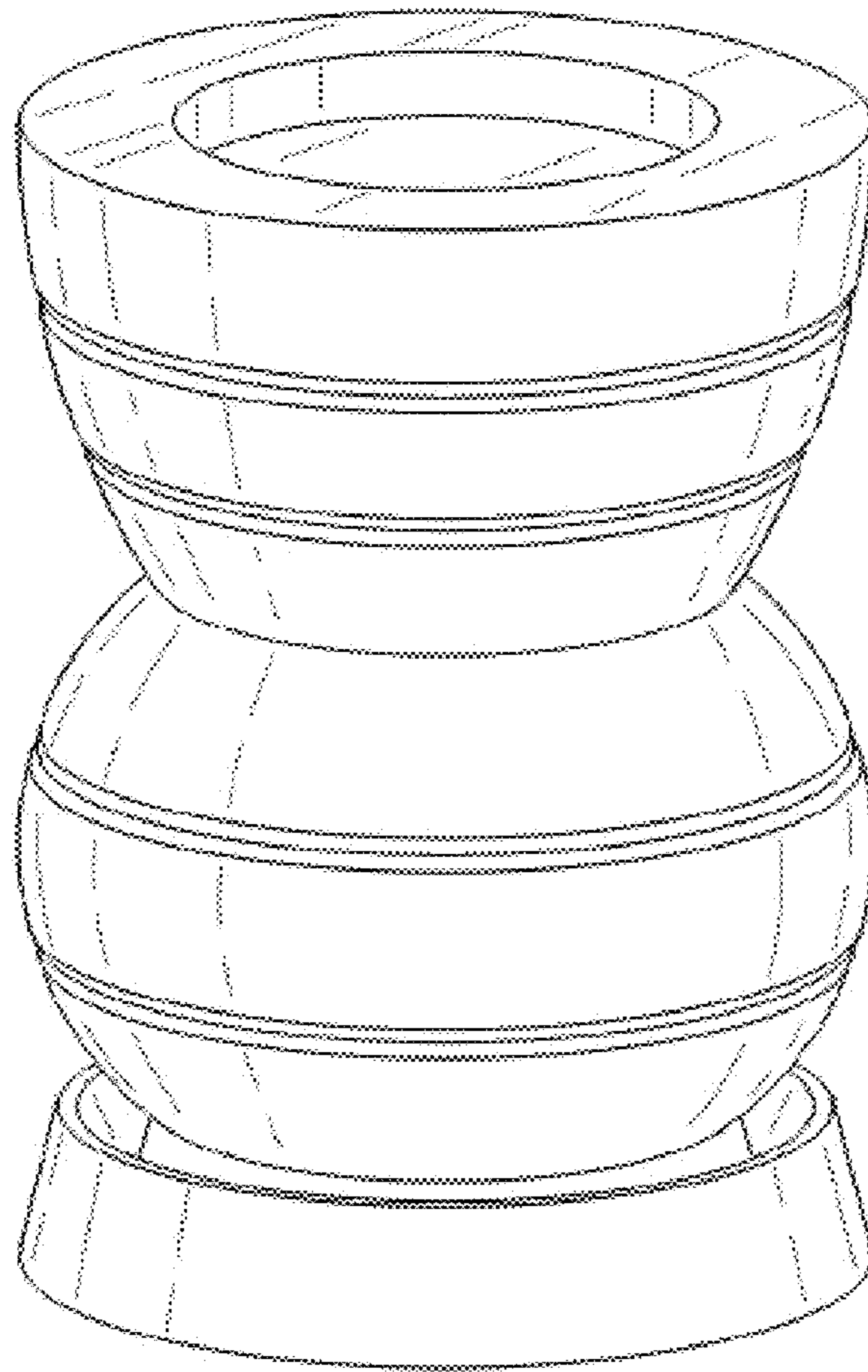


Figure 9

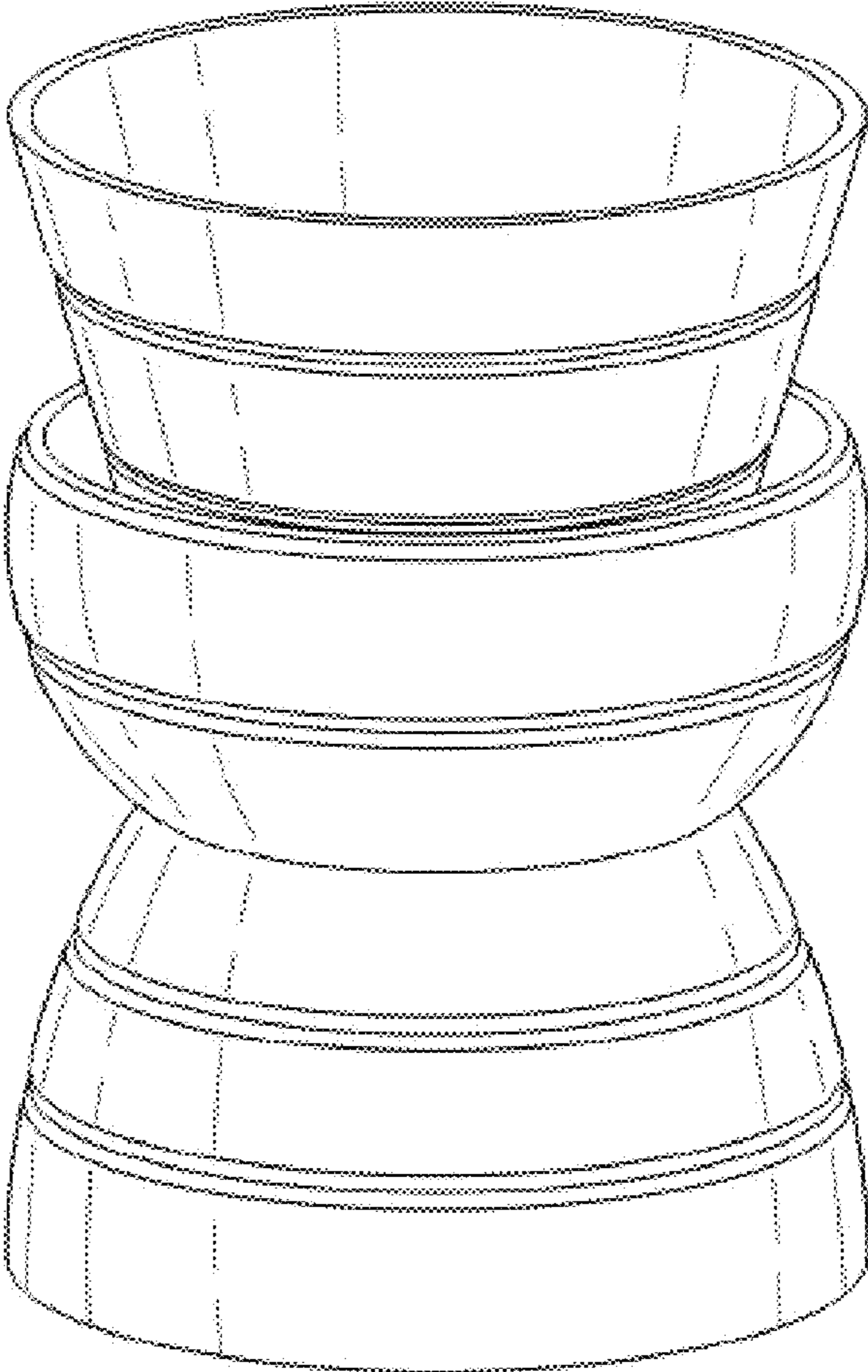


Figure 10

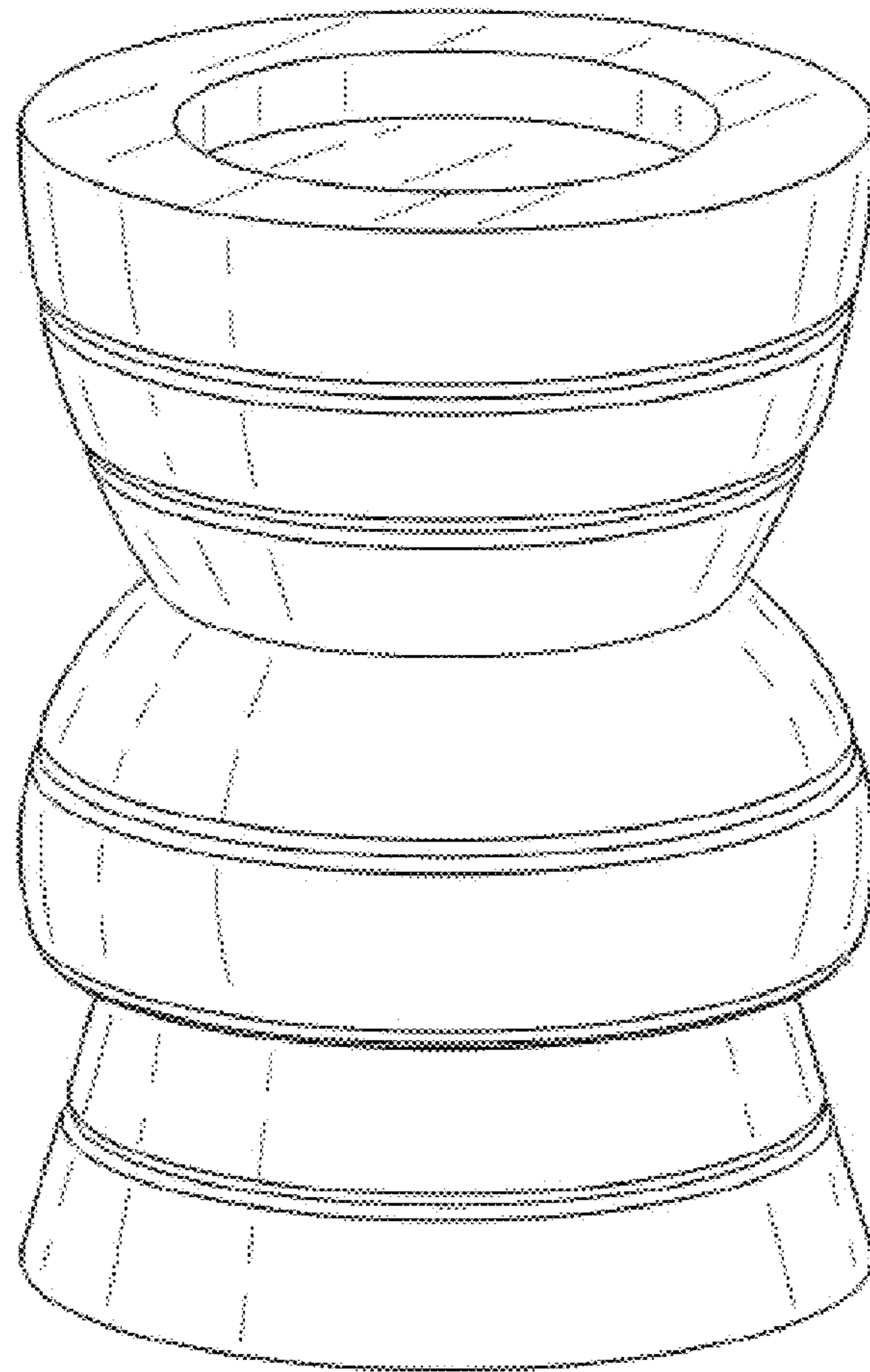


Figure 11

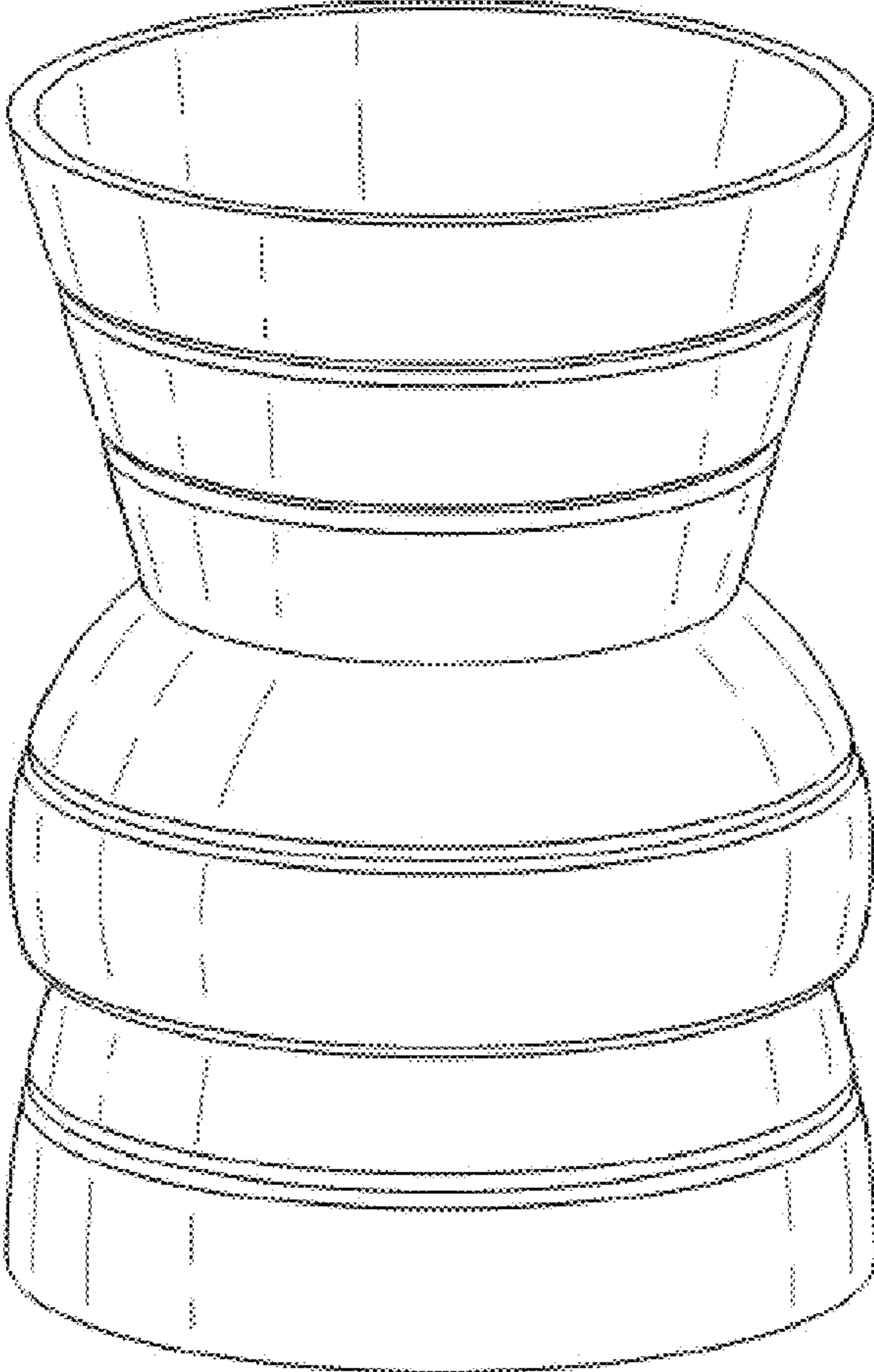


Figure 12

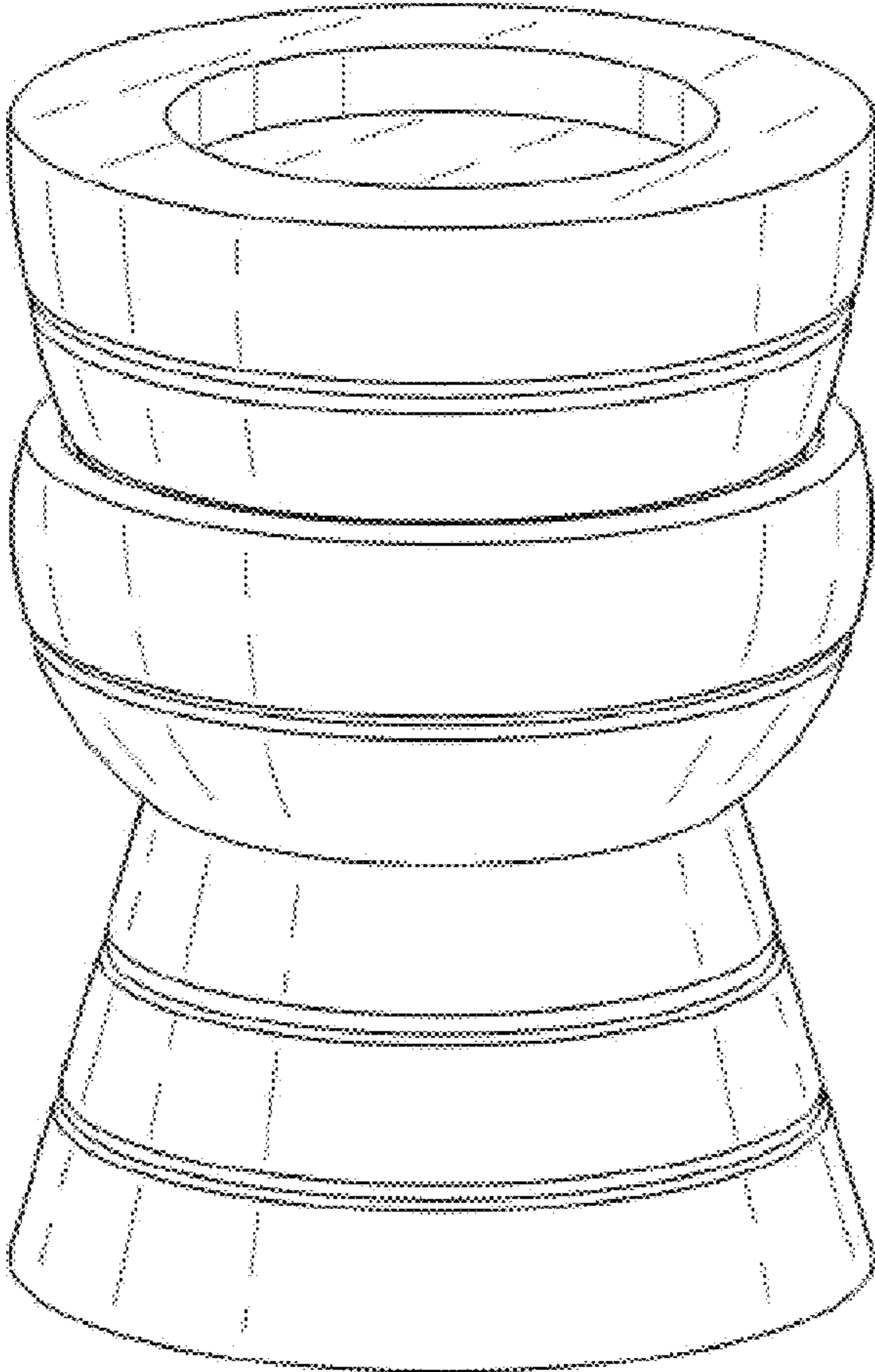


Figure 13

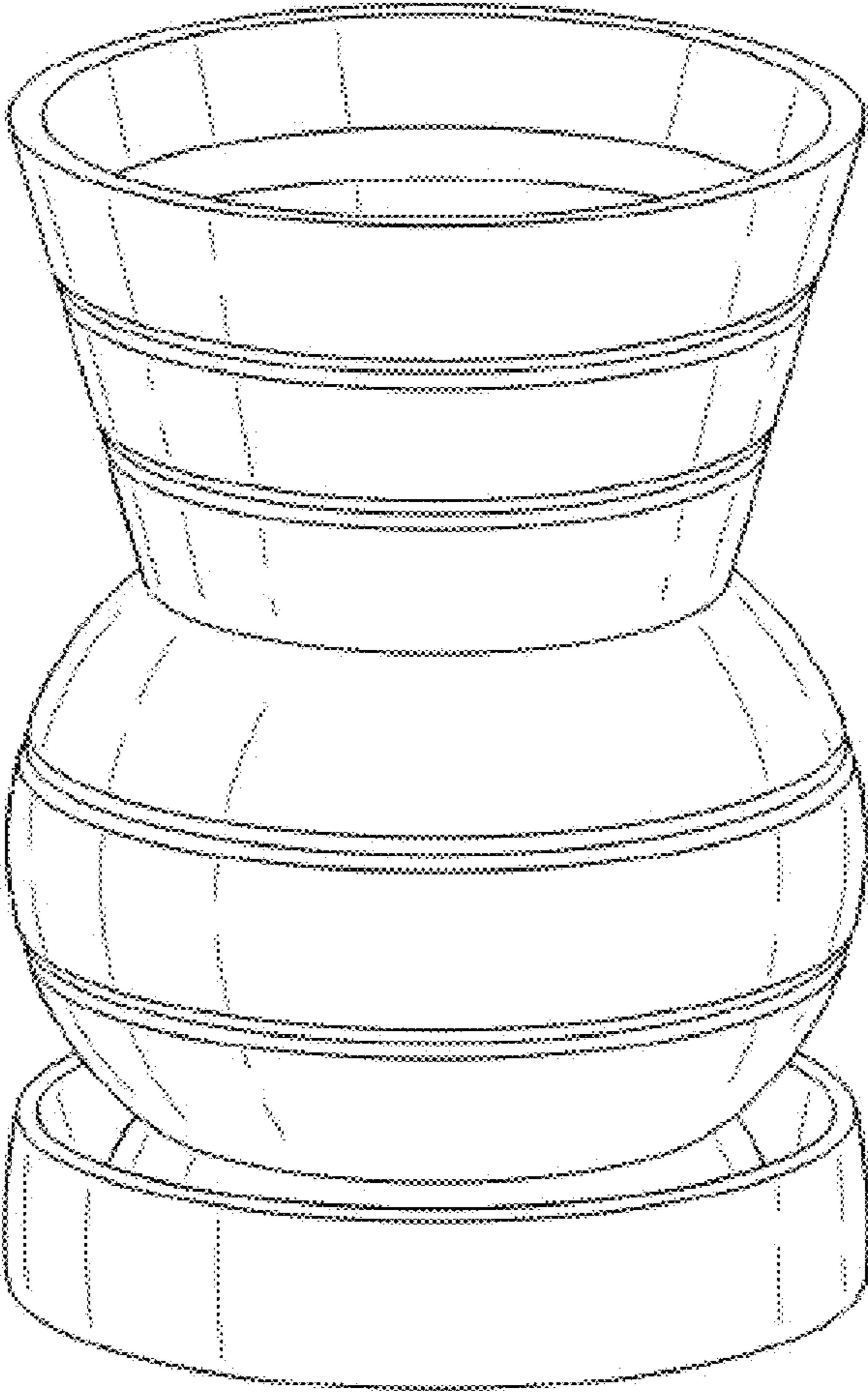


Figure 14

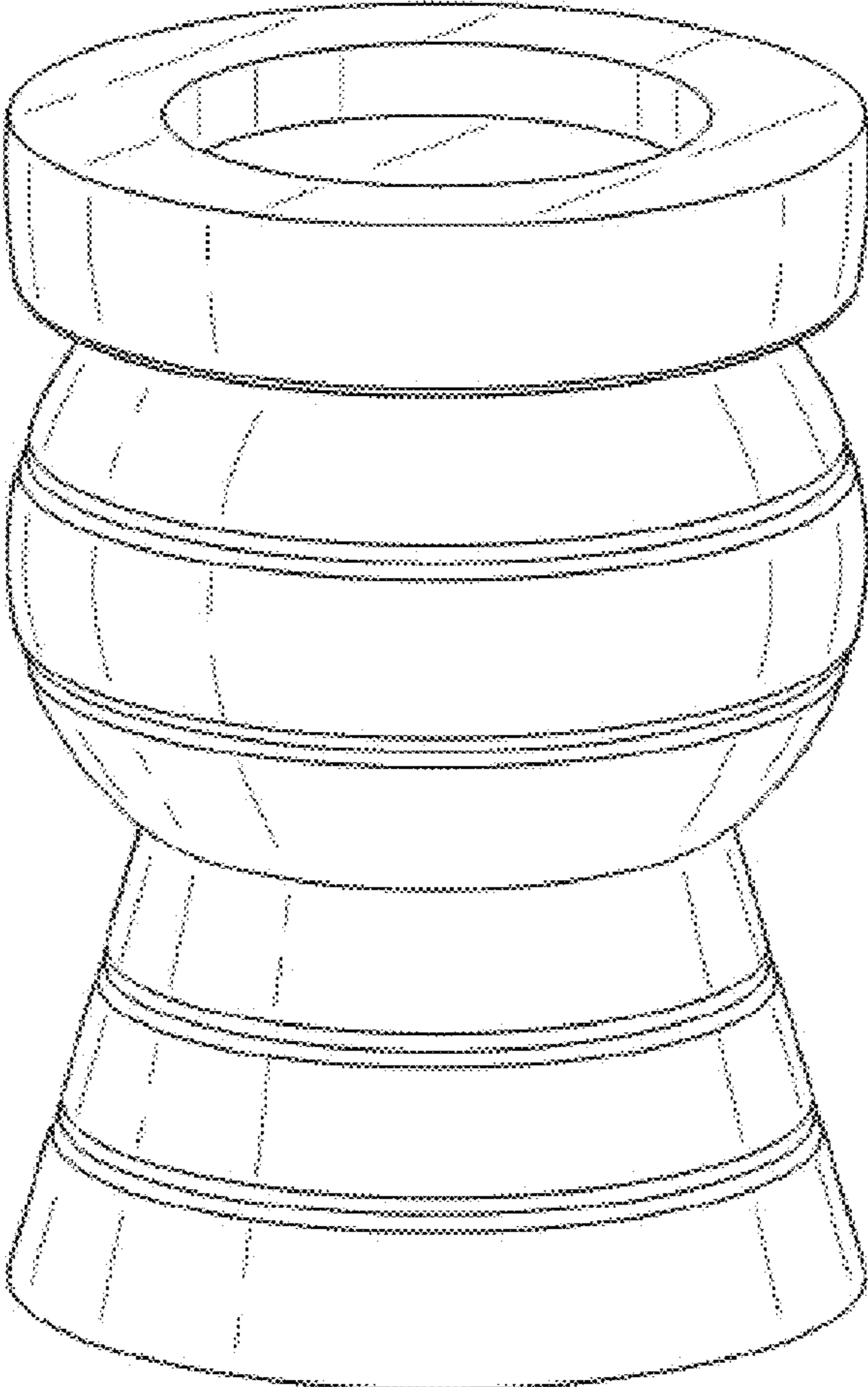


Figure 15

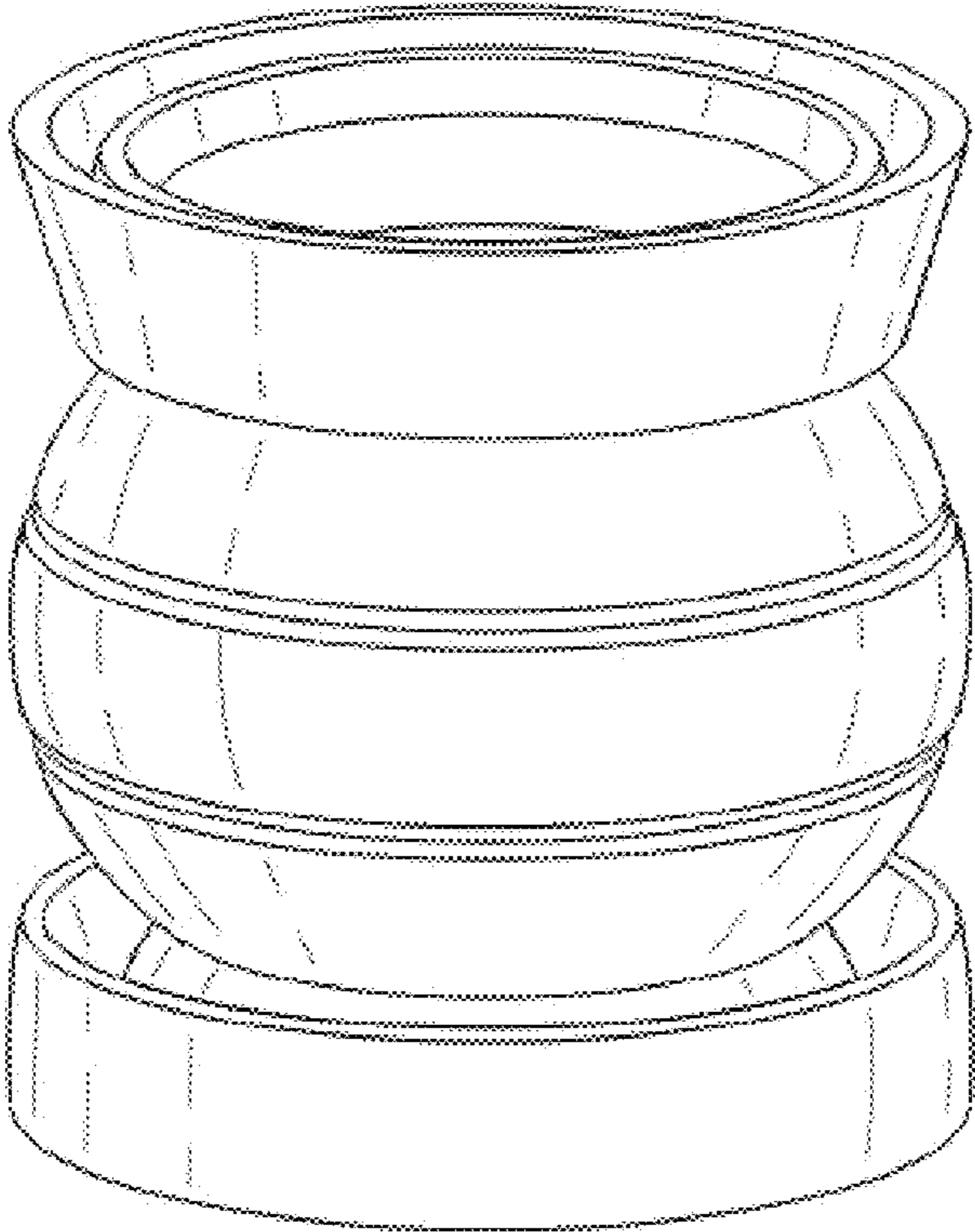


Figure 16

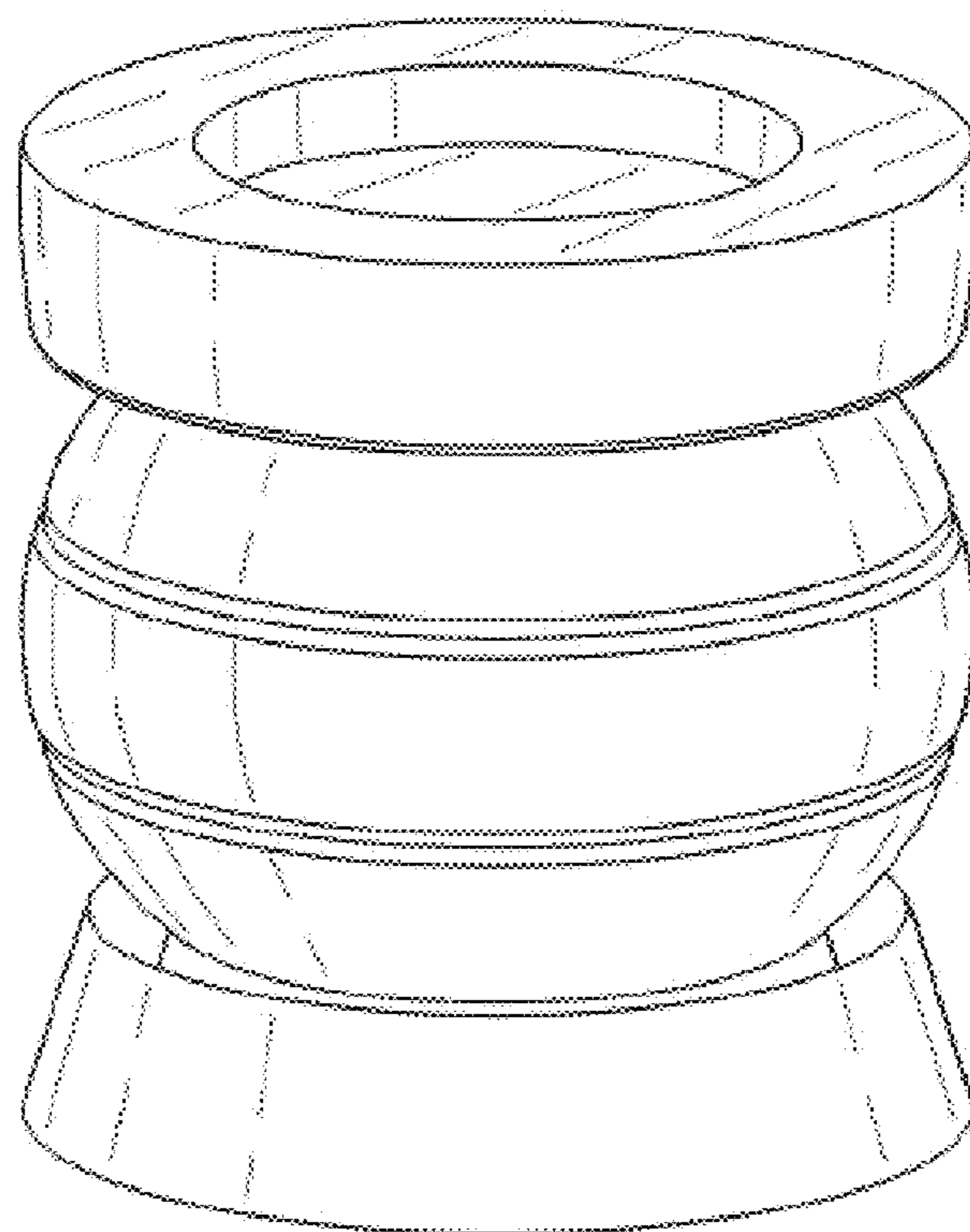


Figure 17

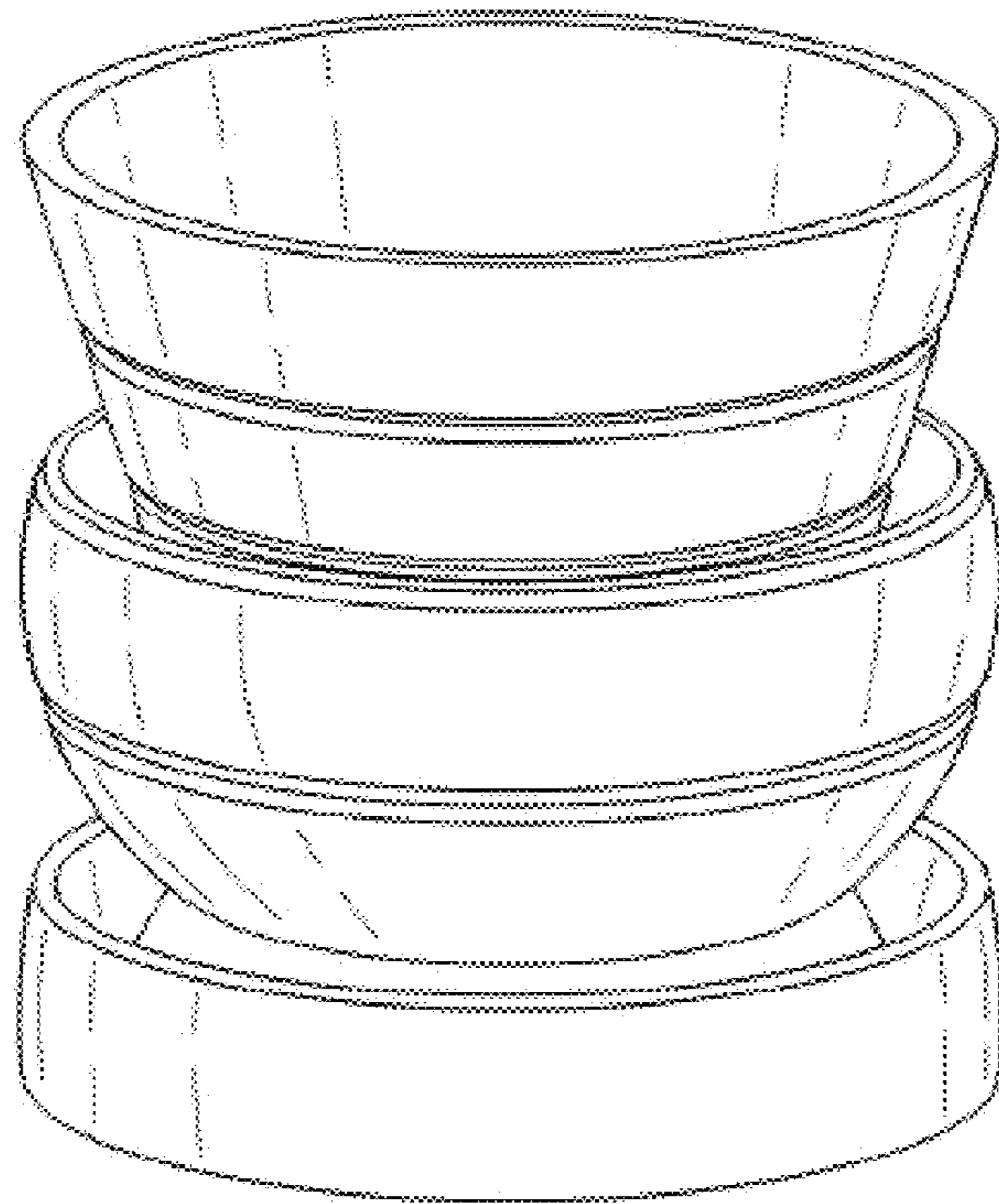


Figure 18

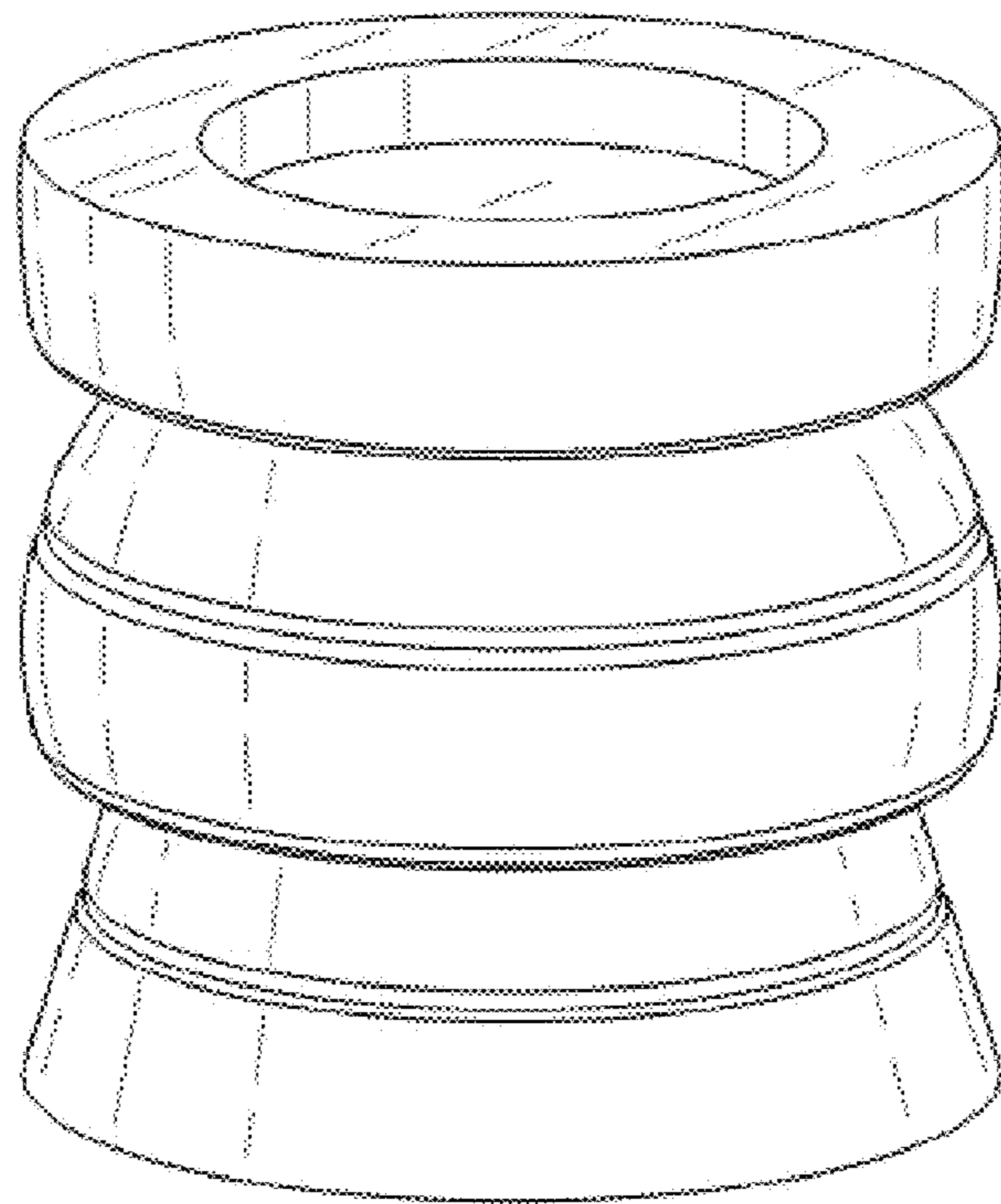


Figure 19