



US00D731678S

(12) **United States Design Patent**
Geldart

(10) **Patent No.:** **US D731,678 S**
(45) **Date of Patent:** **** Jun. 9, 2015**

(54) **LIFTING LUG**

(71) Applicant: **Lite Guard Safety Solutions Pty Ltd.,**
Dromana (AU)
(72) Inventor: **Peter Anthony Geldart,** Dromana (AU)
(73) Assignee: **Lite Guard Safety Solutions Pty Ltd.,**
Dromana, Victoria (AU)

(**) Term: **14 Years**

(21) Appl. No.: **29/473,311**

(22) Filed: **Nov. 21, 2013**

(51) **LOC (10) Cl.** **08-08**

(52) **U.S. Cl.**
USPC **D25/133; D25/126; D8/394**

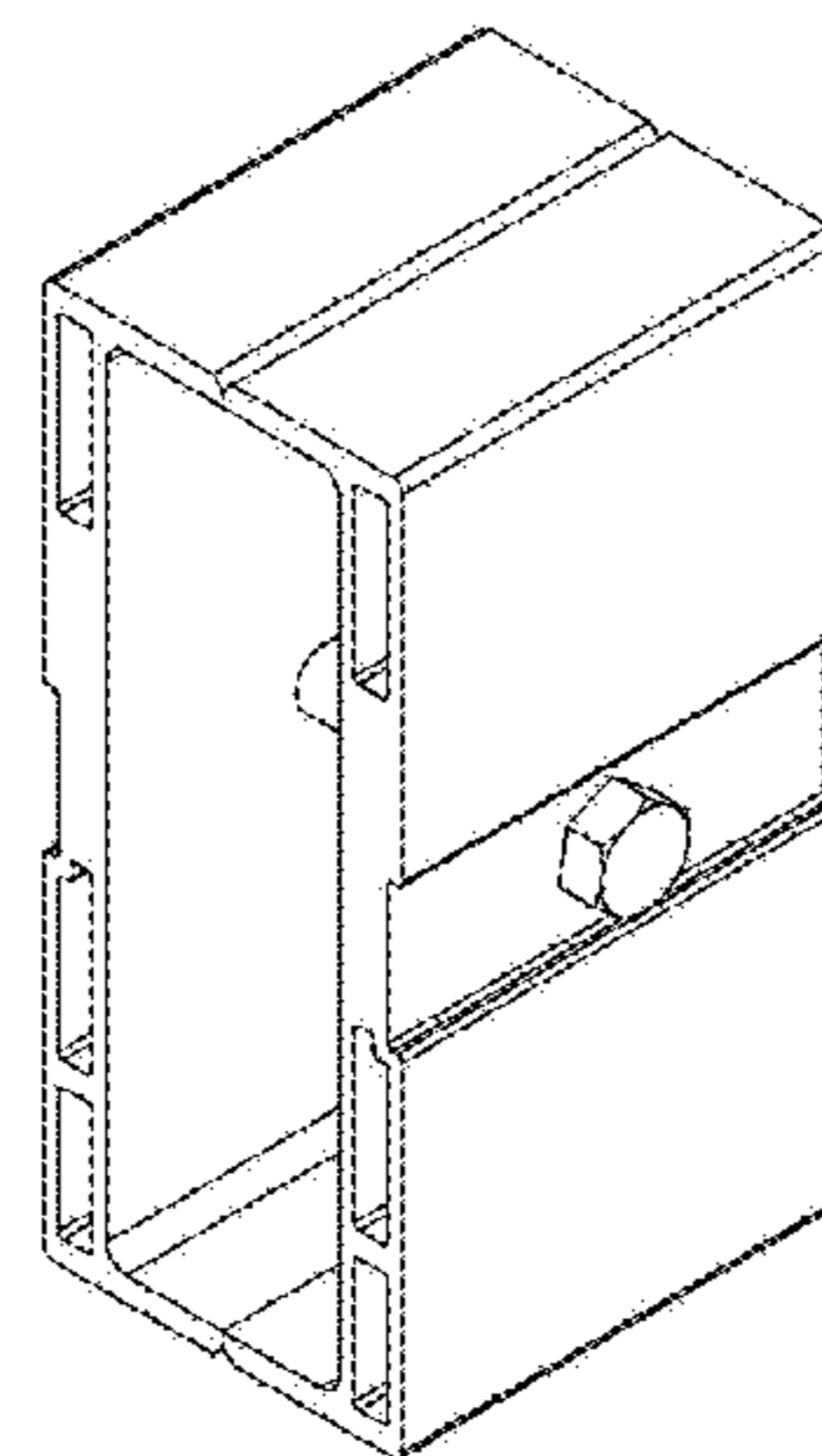
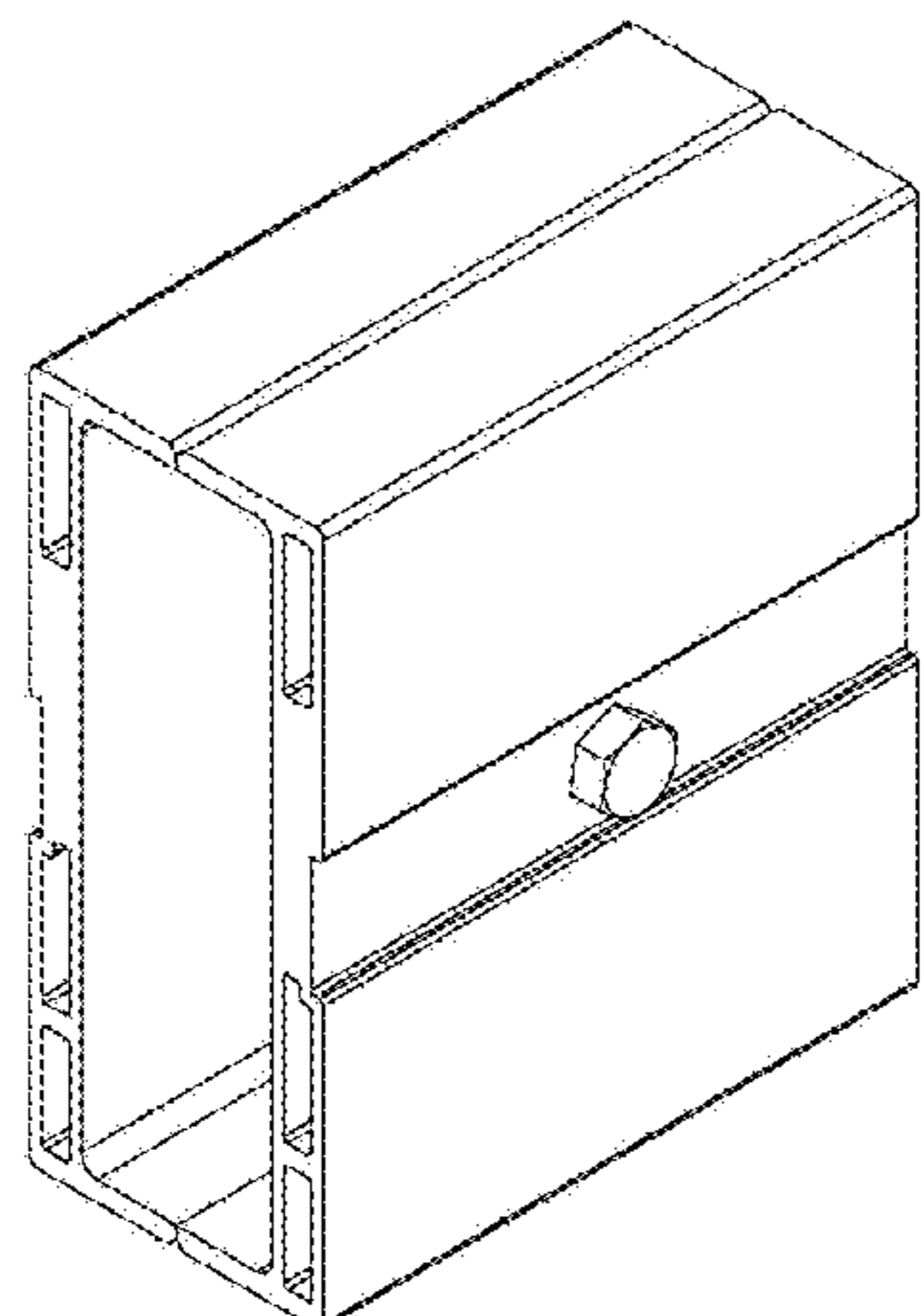
(58) **Field of Classification Search**
USPC D25/118-135, 199; D8/71-74, 349,
D8/382, 383, 394-400, 499; D34/28, 35;
254/134, 133 R, 1, 3 R, 3 C, 43, 199,
254/210, 212, 215, 261, 262, 264, 90, 92,
254/114-119, 121, 128, 129, 131, 387;
52/300, 125.5, 147, 150, 151, 27, 58,
52/60, 62, 173.3, 698, DIG. 17, 480,
52/481.1, 461, 460, 459, 468, 464, 416,
52/417, 424, 407.3, 392, 396.1, 319, 93.1,
52/92.1, 92.2, 846, 848, 127.6, 169.9, 170,
52/223.8, 223.11, 223.12, 235, 236.6,
52/238.1, 252, 264, 265, 433, 475.1,
52/650.1, 684, 289, 125.2, 125.3, 125.6,
52/126.7, 127.2, 127.5-127.12, 393,
52/396.04, 396.05, 402, 503-509, 716.6,
52/716.7, 831, 843, 851, 750, 134, 506.6,
52/513; 256/65.02, 65.04, 65.14, 30, 66;
187/242, 254, 313; 248/205.1, 237,
248/228.1, 72, 74.3; 126/623; 136/244;
294/81.6, 81.51, 81.14, 81.54, 86.21,
294/82.22, 215, 81.1, 81.5, 81.2, 89, 67.3,
294/67.22, 67.21, 81.41, 81.62;
403/256-261, 11-14, 179, 344;
269/91; 310/12.04; 220/649; 198/841;
241/179; 182/9, 12, 15, 36, 178.1;
177/211; 172/450

CPC E04C 1/00; E04C 1/24; E04C 2/00;
E04C 2002/002; E04C 3/00; E04C 3/02;
E04C 3/04; E04C 3/08; E04C 3/005; E04C
2003/0465; E04C 5/12; E04C 5/122; E04C
5/125; E04C 5/16; E04C 5/162; E04C 5/168;
E04C 5/165; E04C 5/167; E04C 5/18; E04C
5/20; E04B 1/38; E04B 1/0038; E04B 1/02;
E04B 1/043; E04B 1/046; E04B 1/165;
E04B 1/18; E04B 1/185; E04B 1/6112;
E04B 1/945; E04B 2001/1957; E04B
2001/3588; E04B 5/10; E04H 13/006; E04H
3/10; E04H 3/24; E04G 21/12; E04G 21/00;
E04G 21/125; E04G 21/126; E04G 21/142;
E04G 21/145; E04G 21/167; E04G 21/168;
E04G 21/1841; E04G 21/185; E04G 21/24;
E04G 21/32; E04G 21/3204; E04G 21/3242;
E04G 21/3276; E04G 21/328; E04G 21/3295;
E04G 19/00; E04G 19/003; E04G 23/0218;
E04G 23/0244; E04G 11/38; E04G 11/50;
E04G 17/16; E06C 7/00; E06C 7/18; E21D
11/40; E21D 11/102; Y10T 403/4671; Y10T
403/4662; Y10T 403/725; Y10T 403/7031;
Y10T 403/557; Y10T 403/3993; Y10T
403/7061; Y10T 403/69; F24J 2/5205; F24J
2/5258; F16B 2/00; F16B 2/02; F16B 2/06;
F16B 2/065; F16B 7/0473; F16L 3/2235;
F16L 5/14; F16M 13/02; F16M 11/20; F16M
11/24; A47B 96/063; A47G 1/10; B60G
21/0551; B60G 99/004; B62D 21/09; B62D
21/11; B62D 27/065; B66C 1/10; B66C 1/66;
B02C 17/1825; B29C 43/18; Y02E 10/47
See application file for complete search history.

(56) **References Cited**

U.S. PATENT DOCUMENTS

2,936,988 A * 5/1960 Bodian 248/228.1
3,005,292 A * 10/1961 Reiland 52/99
3,021,106 A * 2/1962 Kramer 248/231.71
RE26,247 E * 8/1967 Tinnerman 248/72
3,397,431 A * 8/1968 Walker 403/344
3,468,109 A * 9/1969 Reimer 56/220
3,597,873 A * 8/1971 Fischer 446/90
3,915,275 A * 10/1975 Specht 193/35 R
4,269,284 A * 5/1981 Swager 182/8



D259,811 S * 7/1981 Guy D25/124
 4,304,432 A * 12/1981 Silva 294/93
 4,360,286 A * 11/1982 Beer 403/201
 D273,907 S * 5/1984 Schroeder D34/38
 4,474,114 A * 10/1984 Davidson 104/162
 4,627,198 A * 12/1986 Francies, III 52/125.5
 4,629,281 A * 12/1986 Kruger 439/791
 D294,865 S * 3/1988 Meshulam D25/122
 D296,242 S * 6/1988 Sperr D25/122
 4,809,132 A * 2/1989 Palmieri et al. 361/634
 4,889,299 A * 12/1989 Sarton et al. 248/72
 4,907,388 A * 3/1990 Siahatgar 52/481.2
 5,094,622 A * 3/1992 Auclair 439/92
 D325,277 S * 4/1992 Abbestam et al. D34/35
 D325,801 S * 4/1992 Fasth D34/35
 5,176,462 A * 1/1993 Chen 403/252
 5,193,790 A * 3/1993 Flaten 269/91
 5,209,598 A * 5/1993 Zullig 403/255
 5,224,427 A * 7/1993 Riches et al. 104/115
 D338,972 S * 8/1993 Moss et al. D25/124
 5,269,710 A * 12/1993 Donnerstag 439/810
 5,284,404 A * 2/1994 Hu 405/142
 5,493,085 A * 2/1996 Kolberg et al. 200/51 R
 5,531,617 A * 7/1996 Marks 439/723
 5,562,202 A * 10/1996 Newcomb et al. 198/861.1
 5,657,604 A * 8/1997 Malott 52/655.1
 D384,471 S * 9/1997 Kubsik et al. D34/29
 5,674,079 A * 10/1997 Auclair 439/92
 5,727,646 A * 3/1998 Gray 182/45
 5,782,340 A * 7/1998 Dolan 198/841
 5,848,501 A * 12/1998 Taipale et al. 52/126.4
 D404,183 S * 1/1999 Benoit D34/28
 6,050,426 A * 4/2000 Leurdijk 211/94.01
 D435,304 S * 12/2000 Rainey D25/114
 D459,047 S * 6/2002 Tanaka D34/28
 6,408,587 B2 * 6/2002 Cronin et al. 52/637
 6,425,458 B1 * 7/2002 Soll 182/36
 6,431,805 B2 * 8/2002 Lanciaux, Jr. 414/12
 6,431,885 B1 * 8/2002 Stroup 439/94
 6,442,805 B2 * 9/2002 Pfister 24/514
 D465,855 S * 11/2002 Risi et al. D25/113
 6,488,118 B1 * 12/2002 Corriveau 182/36
 6,513,785 B1 * 2/2003 Worley 249/18
 6,533,108 B1 * 3/2003 Ledingham 198/841
 D479,378 S * 9/2003 Simpson D34/35
 6,652,012 B1 * 11/2003 Fuller et al. 294/215
 D485,371 S * 1/2004 Burgess et al. D25/113
 6,695,290 B1 * 2/2004 O'Connell 254/133 R
 D497,211 S * 10/2004 Strassle D25/126
 6,928,782 B2 * 8/2005 Becker et al. 52/696
 6,962,234 B1 * 11/2005 Reeves 182/36
 6,964,334 B2 * 11/2005 Henderson et al. 198/841
 7,004,667 B2 * 2/2006 Ludwig et al. 403/258
 D517,221 S * 3/2006 Keys et al. D25/113
 7,014,230 B1 * 3/2006 Hung 294/215
 7,096,637 B2 * 8/2006 McMillan 52/653.1
 D561,421 S * 2/2008 Cheng et al. D34/29
 D561,424 S * 2/2008 Drake D34/35
 7,377,491 B2 * 5/2008 Fuoco 256/65.03
 7,490,802 B1 * 2/2009 Teng 248/229.15
 7,614,590 B2 * 11/2009 Boville 248/72
 D608,973 S * 1/2010 Kanda et al. D34/35
 7,766,704 B2 * 8/2010 Robinson et al. 439/814
 7,874,115 B2 * 1/2011 Thiede 52/506.01
 D636,095 S * 4/2011 Teffenhart, Jr. D25/124
 8,011,978 B2 * 9/2011 Cortes Rico et al. 439/814
 D654,243 S * 2/2012 Hancock et al. D34/35
 D655,884 S * 3/2012 Spies et al. D34/35
 D670,474 S * 11/2012 Koch D34/35
 D673,343 S * 12/2012 Thiele D34/29
 8,366,340 B2 * 2/2013 Munakata et al. 403/255
 8,408,835 B1 * 4/2013 Zhang et al. 403/255
 D701,015 S * 3/2014 Specht D34/29
 8,662,322 B2 * 3/2014 Magnusson et al. 211/70.6
 D713,232 S * 9/2014 Lin et al. D8/74
 8,851,543 B2 * 10/2014 Kostecki 294/215
 8,956,071 B2 * 2/2015 Frey 403/382
 2001/0008344 A1 * 7/2001 Lanciaux, Jr. 294/67.33

2002/0074814 A1 * 6/2002 Morel et al. 294/81.6
 2004/0011629 A1 * 1/2004 Leisner et al. 198/841
 2006/0081448 A1 * 4/2006 Fandella 198/805
 2007/0209311 A1 * 9/2007 Keys 52/696
 2009/0200443 A1 * 8/2009 Burtscher et al. 248/316.1
 2010/0187040 A1 * 7/2010 Siemienowicz 182/3
 2010/0200330 A1 * 8/2010 Crookston 182/3
 2011/0037279 A1 * 2/2011 Alba 294/1.1
 2011/0041450 A1 * 2/2011 Espinosa 52/698
 2011/0127091 A1 * 6/2011 Shepherdson et al. 177/211
 2011/0138734 A1 * 6/2011 Bosterling et al. 52/698
 2011/0193282 A1 * 8/2011 Phillips 269/317
 2012/0305723 A1 * 12/2012 Heath et al. 248/228.1
 2013/0136531 A1 * 5/2013 Kobayashi 403/326
 2013/0264531 A1 * 10/2013 Stewart 254/133 R
 2013/0299617 A1 * 11/2013 Watt et al. 241/183
 2014/0008185 A1 * 1/2014 Henderson 198/841
 2014/0306472 A1 * 10/2014 Manickam et al. 294/81.5

OTHER PUBLICATIONS

5,000 lb Plate Rigging Pick Point, www.riggingpickpoints.com, as of Mar. 2015 (1 page).
 10,000 lb Plate Rigging Pick Point, www.riggingpickpoints.com, 2015 (1 page).
 "Light Source brand 3 Ton Beam Clamp", www.rosebrand.com/product3194/Light-Source-3-Ton-Beam-Clamps.aspx, as of Mar. 2015 (1 page).
 "8" and 16" Beam Clamps", www.rigging.net/Truss.html, Feb. 10, 2006, (1 page).
 Unpublished Design U.S. Appl. No. 29/464,771, filed Aug. 2, 2013 titled Shield Panel, inventor Peter Anthony Geldart.

* cited by examiner

Primary Examiner — Susan Moon Lee
 (74) Attorney, Agent, or Firm — Woodard, Emhardt, Moriarty, McNett & Henry LLP

(57) CLAIM

The ornamental design for a lifting lug, as shown and described.

DESCRIPTION

FIG. 1 is an isometric view of a first embodiment of a lifting lug showing my new design;
 FIG. 2 is a top view of the first embodiment thereof;
 FIG. 3 is an end view of the first embodiment thereof;
 FIG. 4 is a right side view of the first embodiment of FIG. 3 thereof;
 FIG. 5 is an opposite end view of the first embodiment of FIG. 3 thereof;
 FIG. 6 is a left side view of the first embodiment of FIG. 3 thereof;
 FIG. 7 is a bottom view of the first embodiment thereof;
 FIG. 8 is an isometric view of a second embodiment of a lifting lug showing my new design.
 FIG. 9 is a top view of the second embodiment thereof;
 FIG. 10 is an end view of the second embodiment thereof;
 FIG. 11 is a right side view of the second embodiment of FIG. 10 thereof;
 FIG. 12 is an opposite end view of the second embodiment of FIG. 10 thereof;
 FIG. 13 is a left side view of the second embodiment of FIG. 10 thereof; and,
 FIG. 14 is a bottom view of the second embodiment thereof.

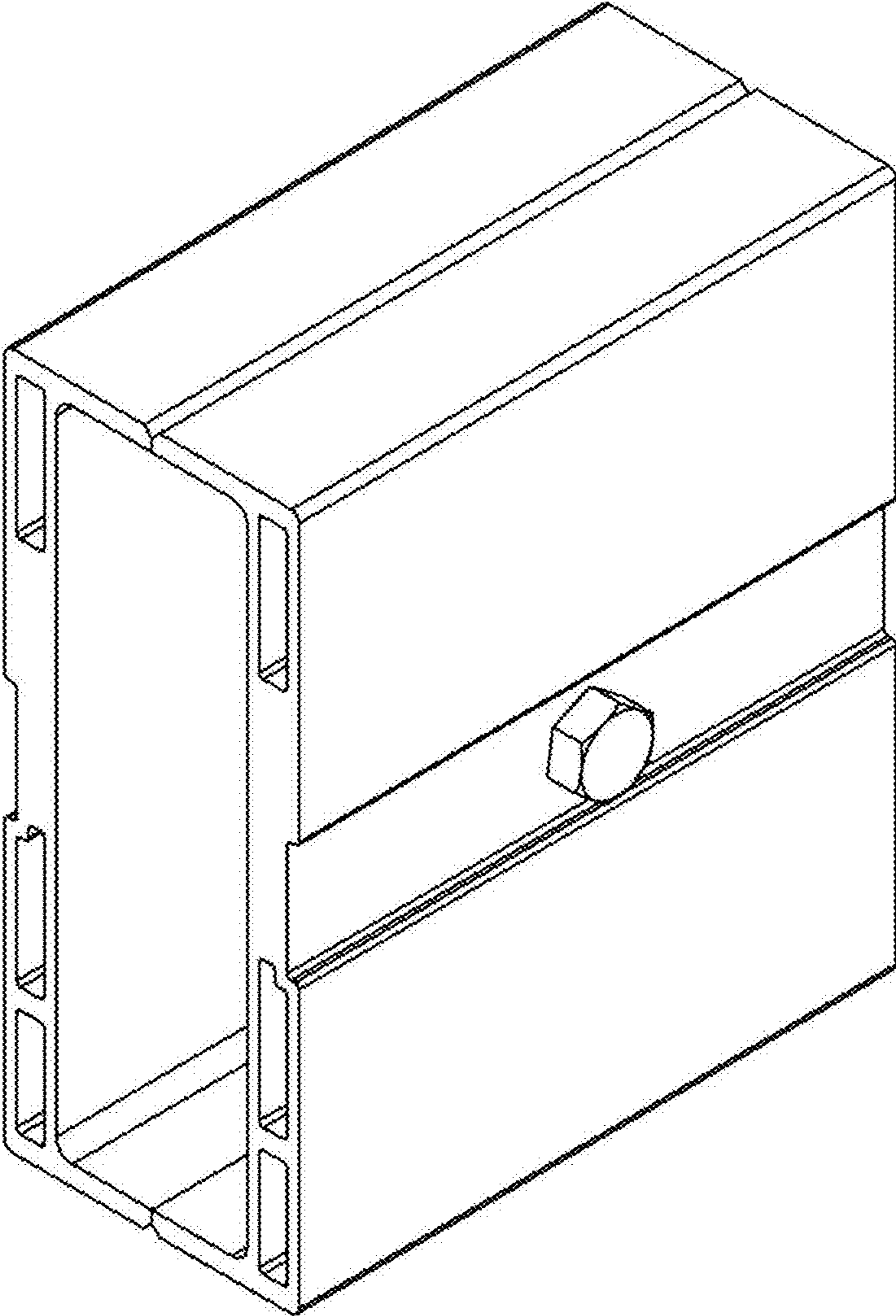


Fig. 1

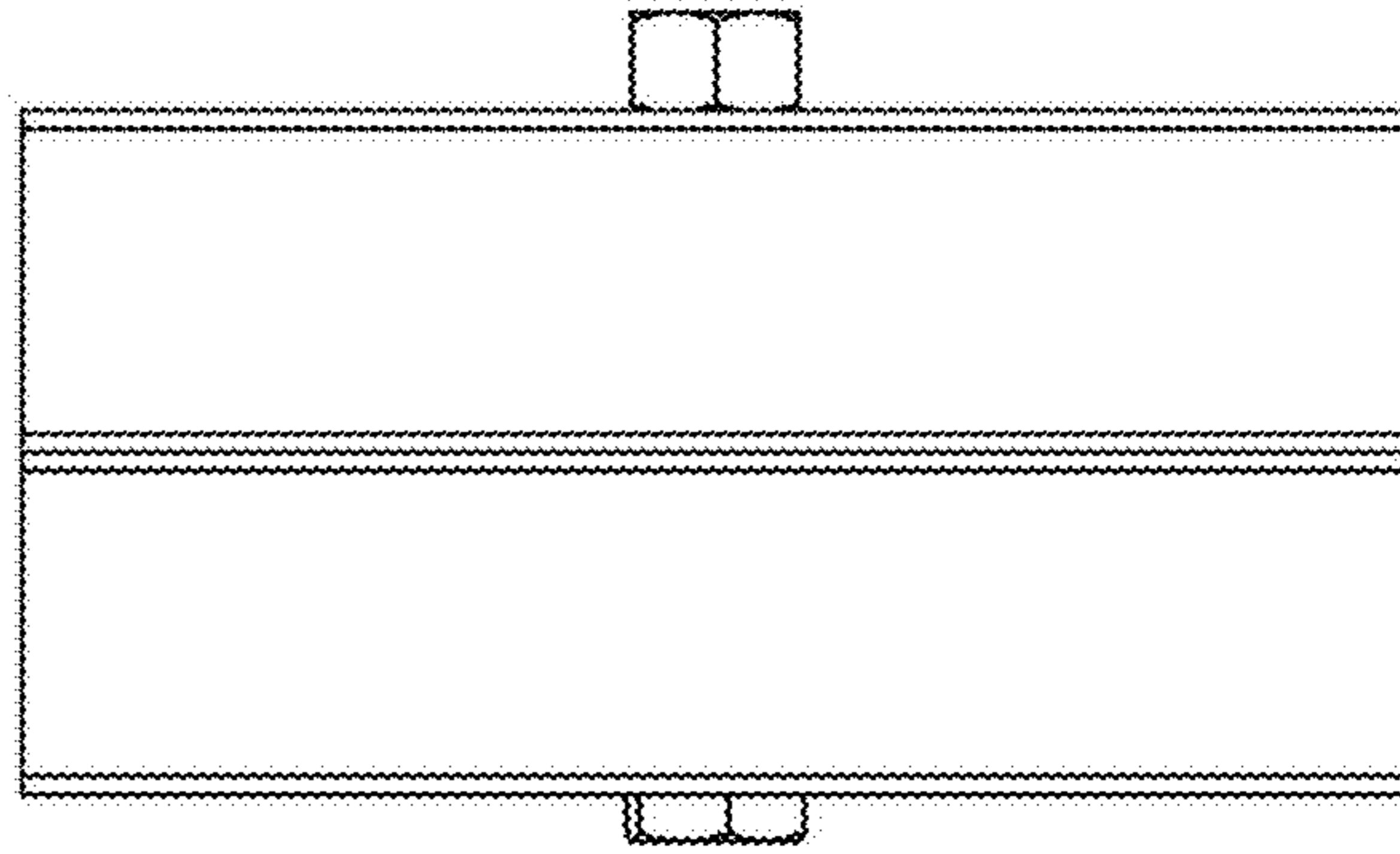


Fig. 2

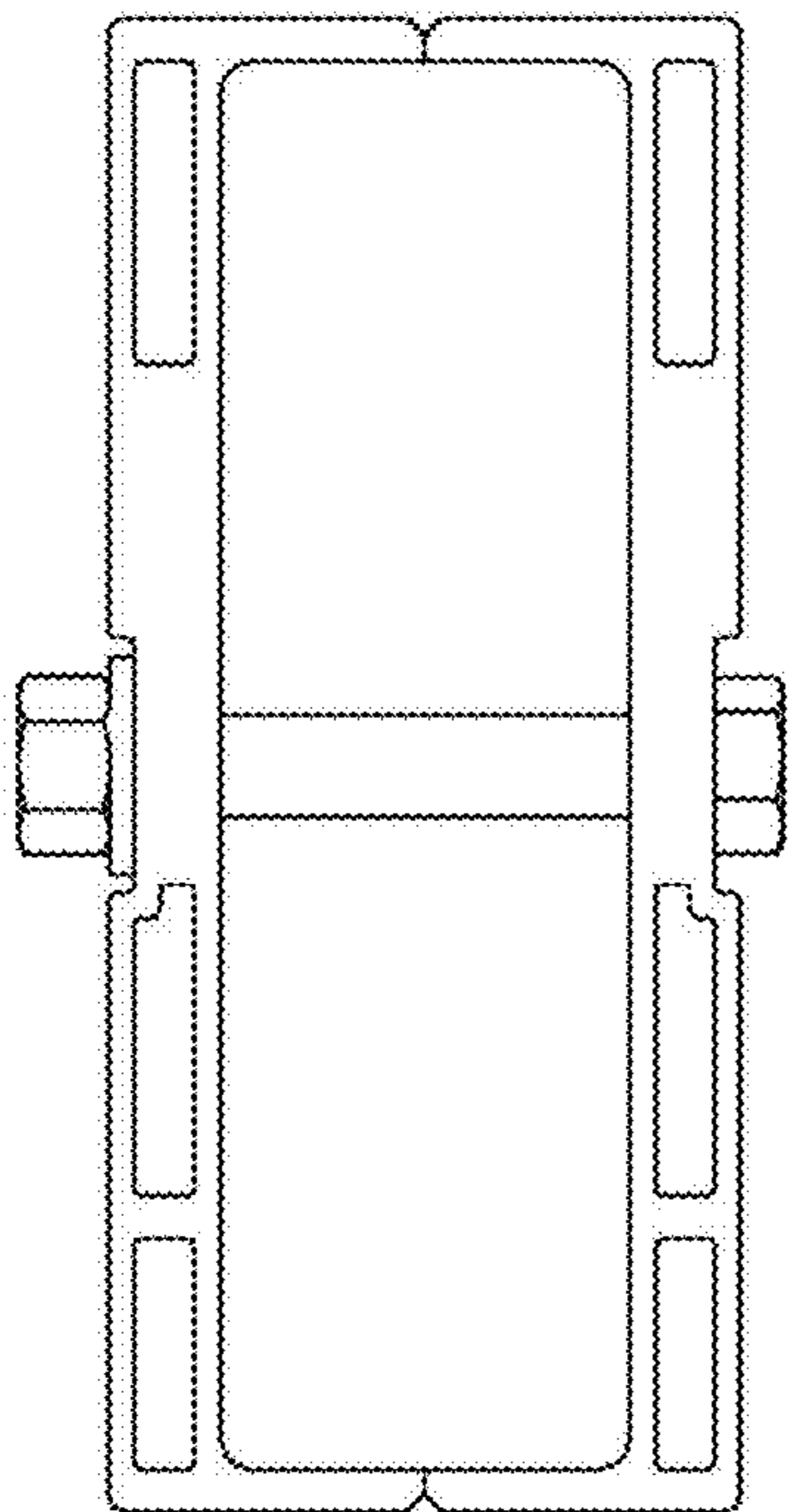


Fig. 3

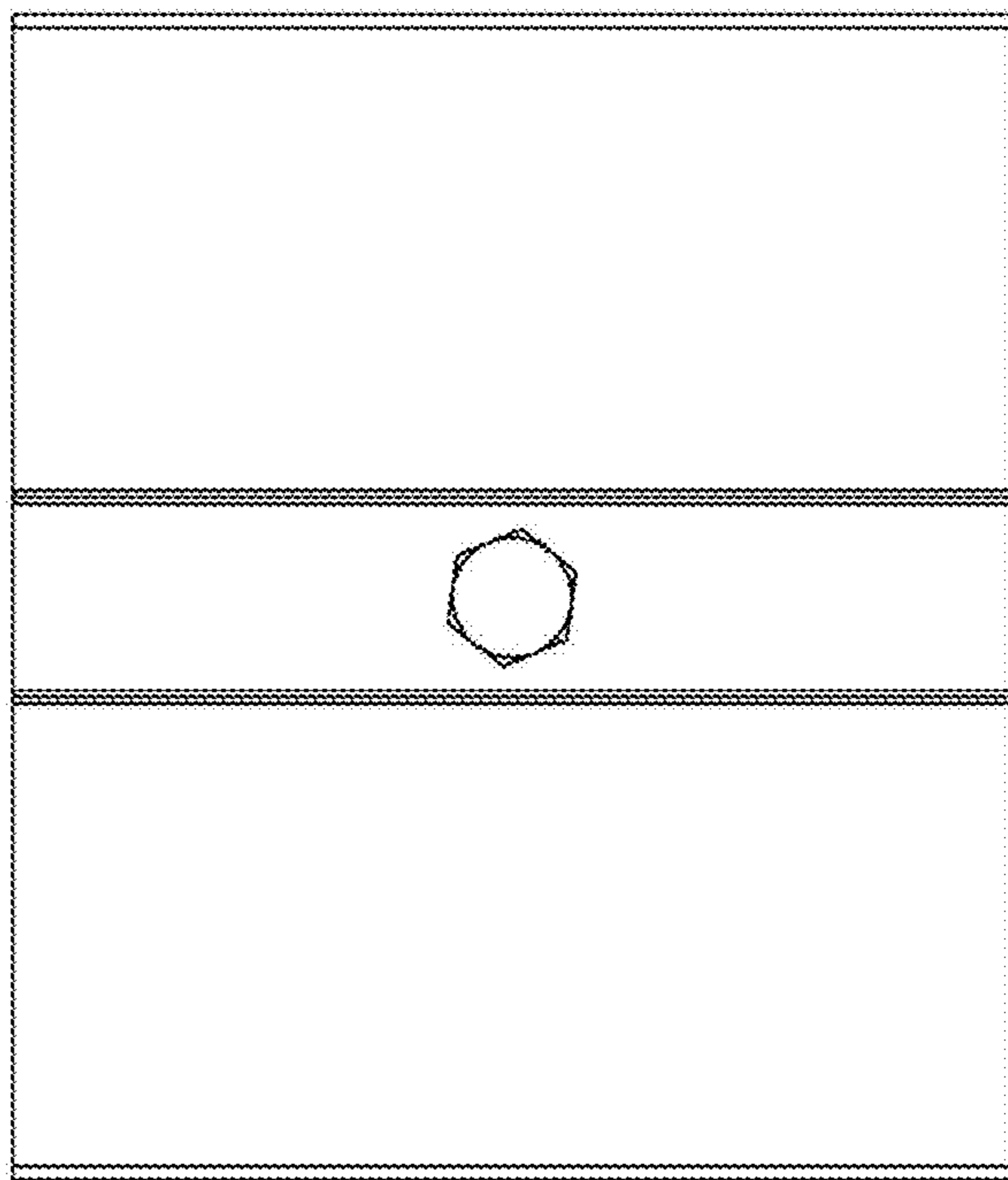


Fig. 4

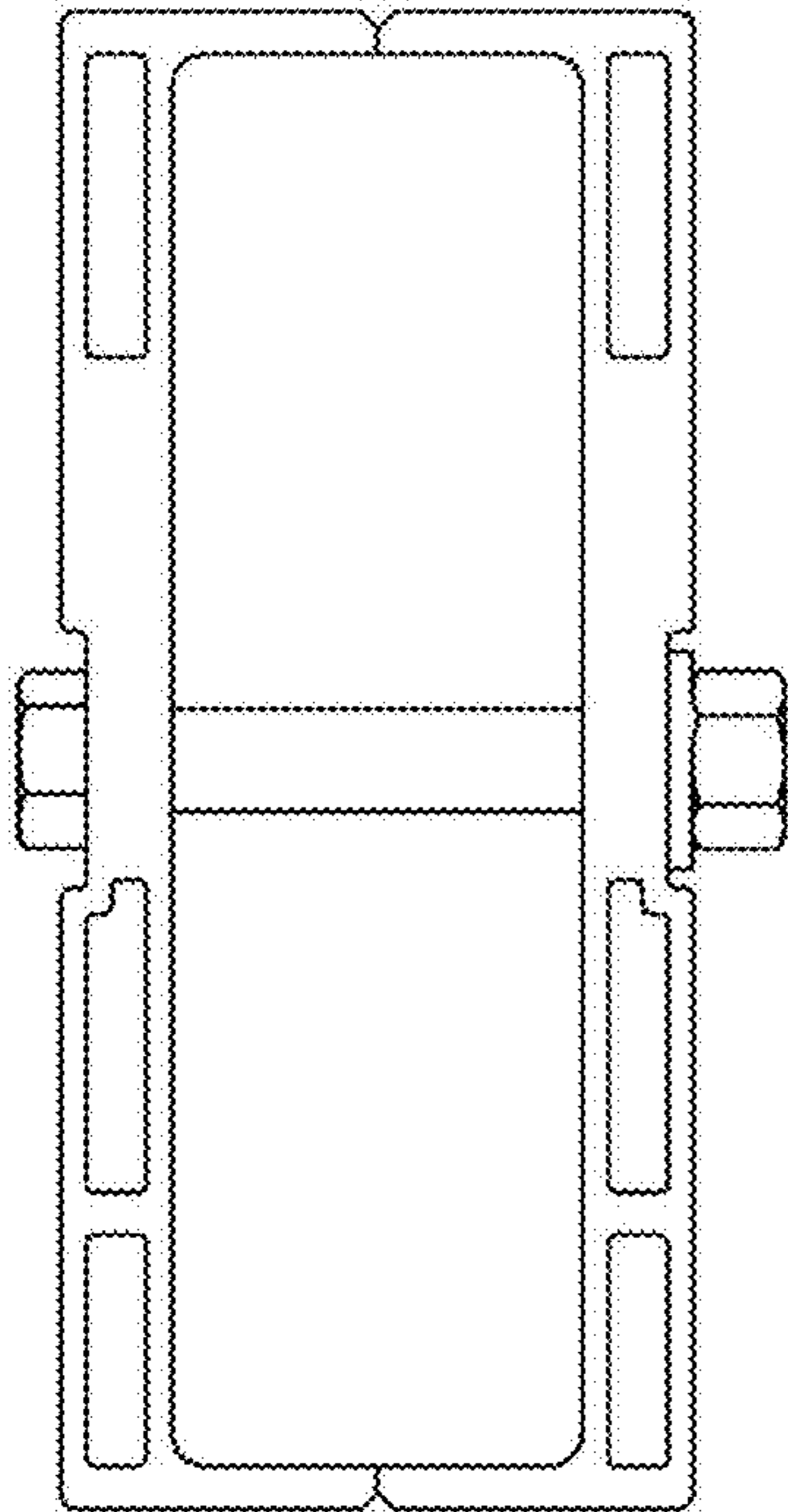


Fig. 5

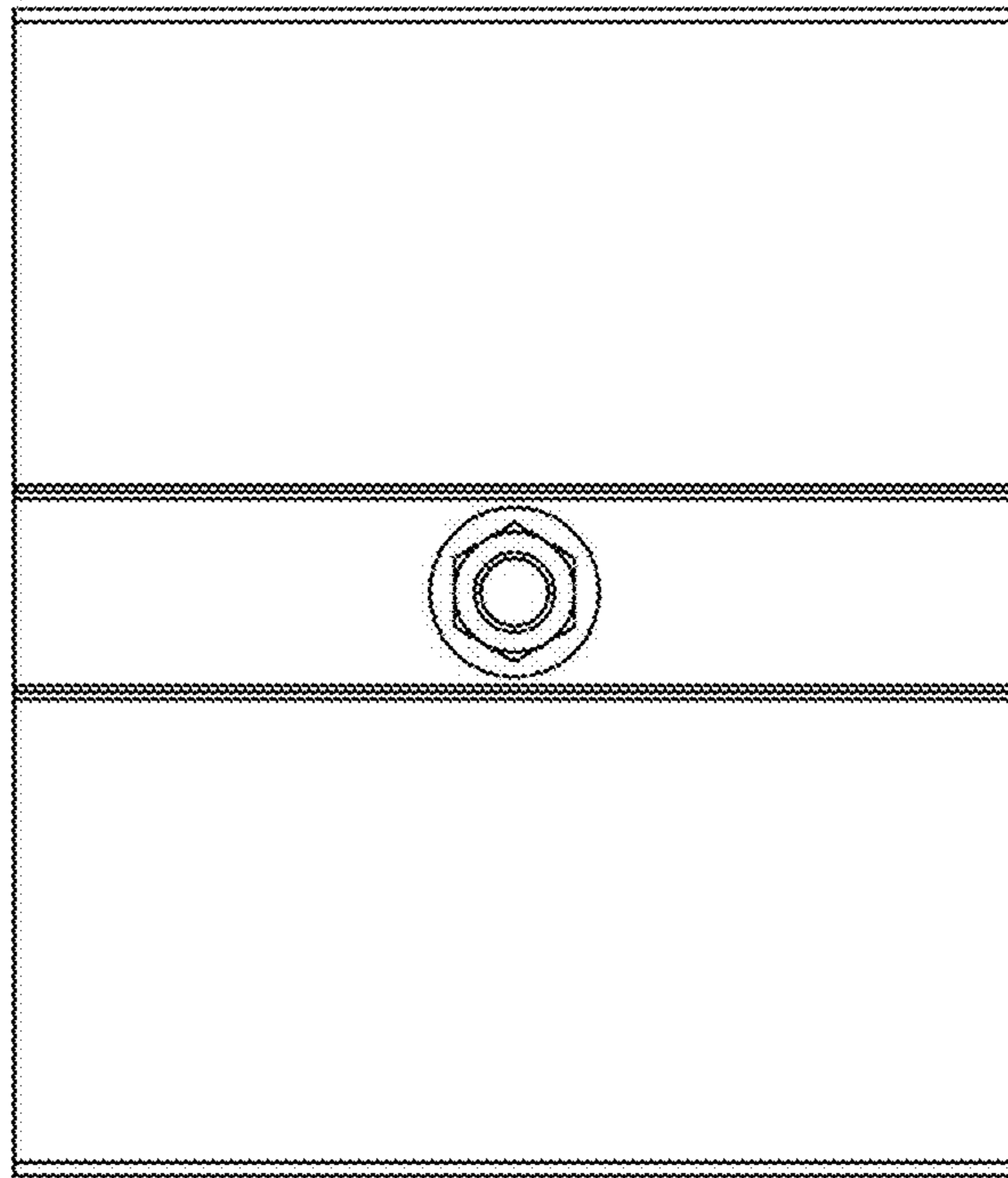


Fig. 6

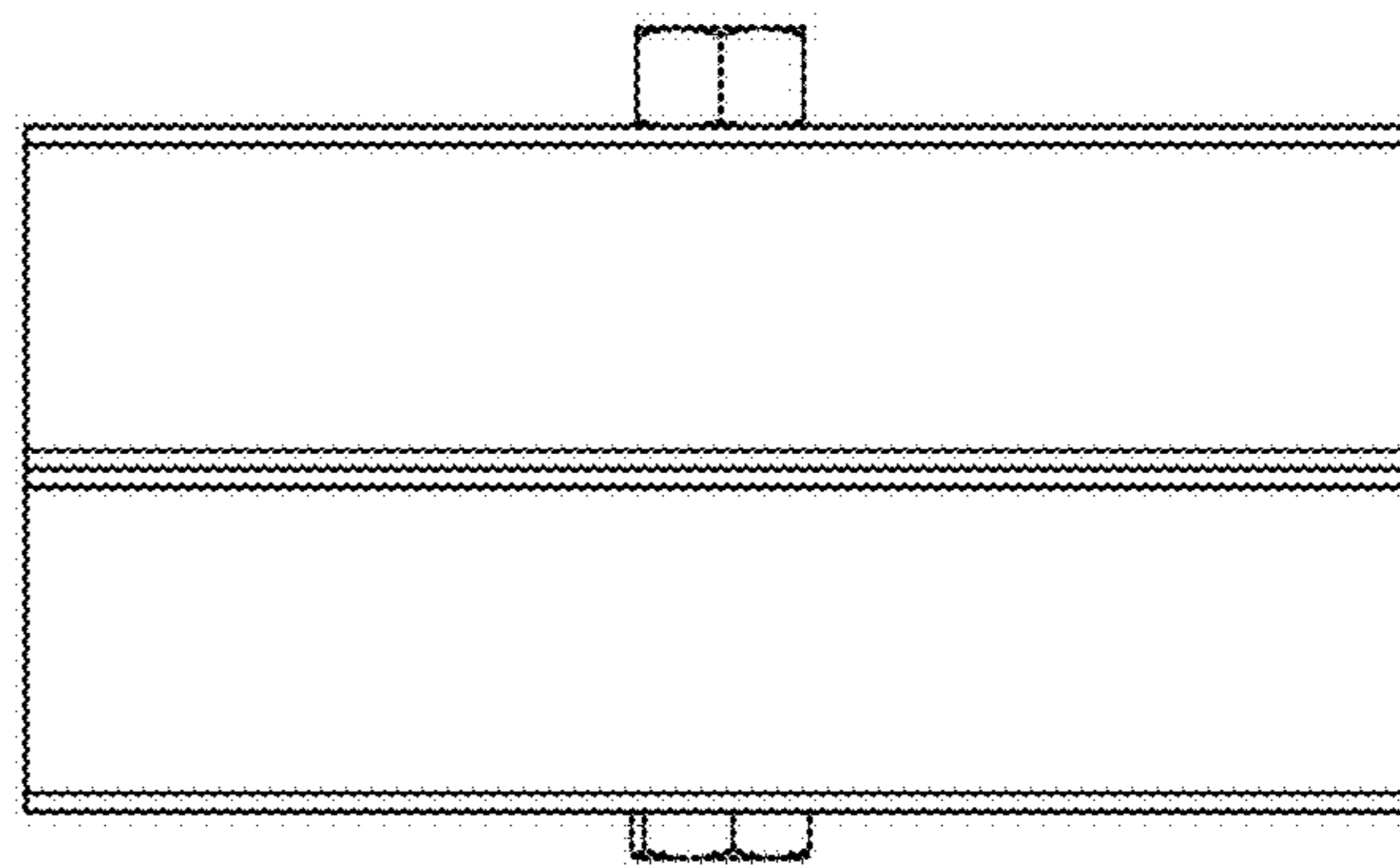


Fig. 7

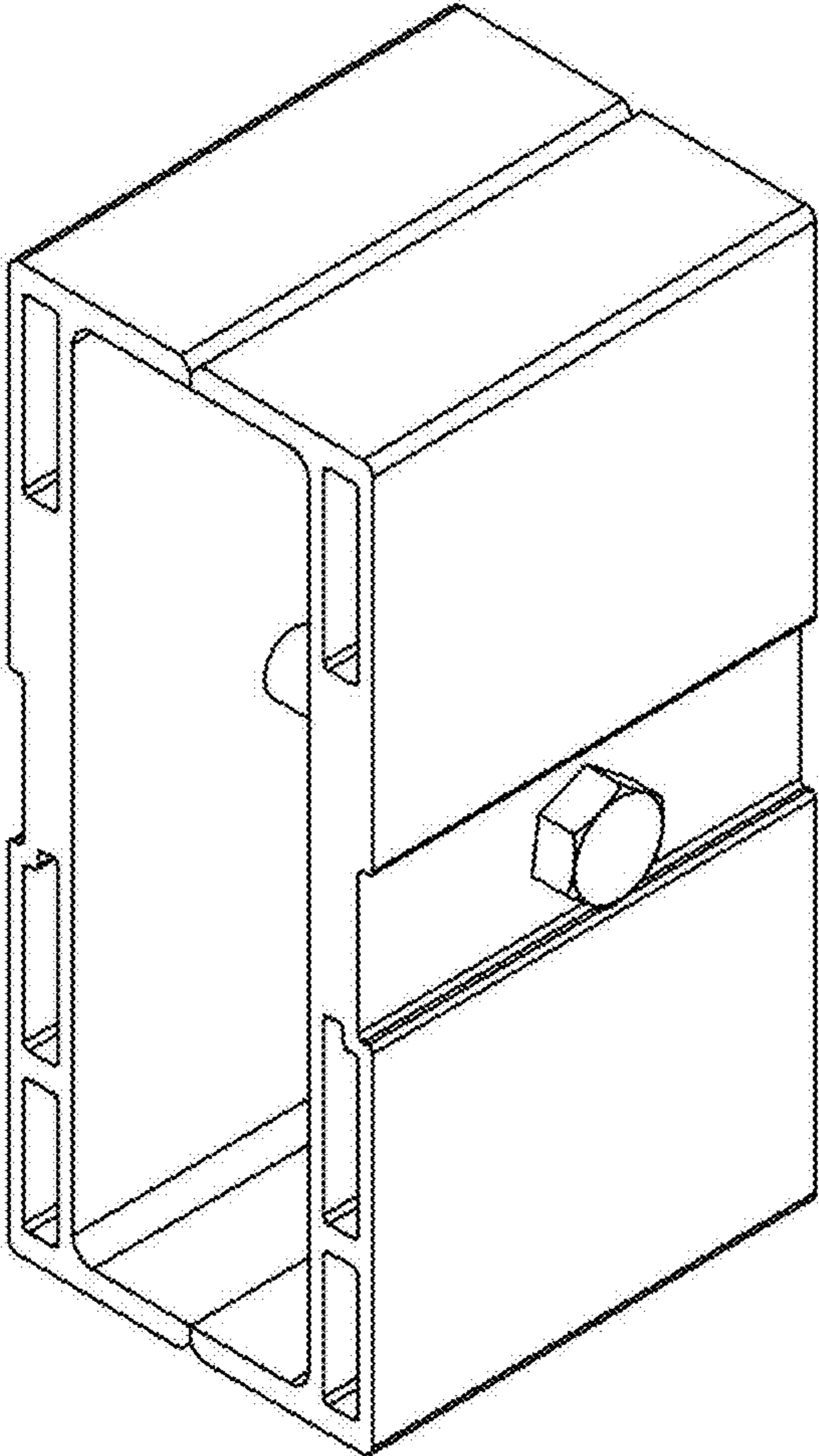


Fig. 8

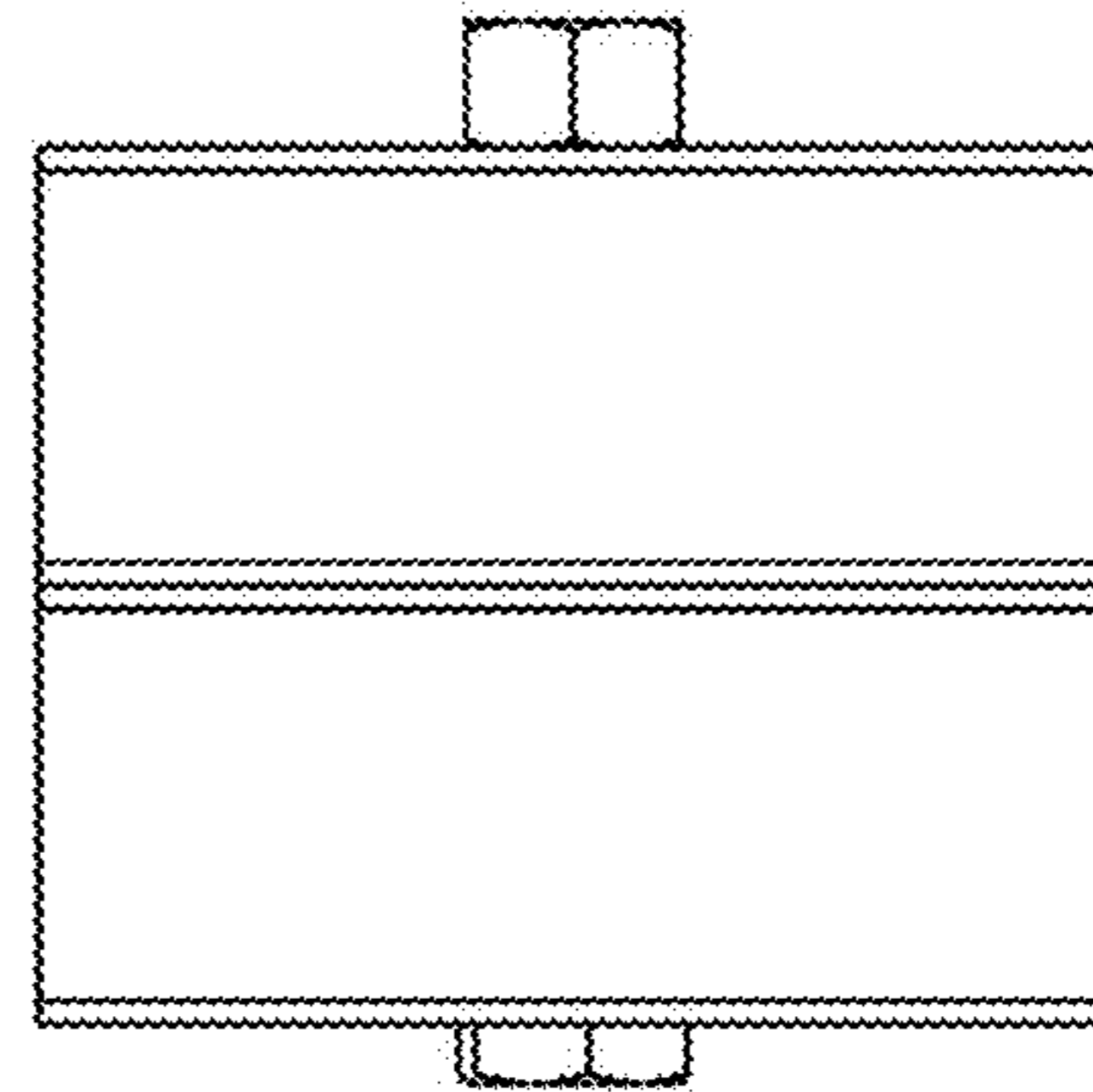


Fig. 9

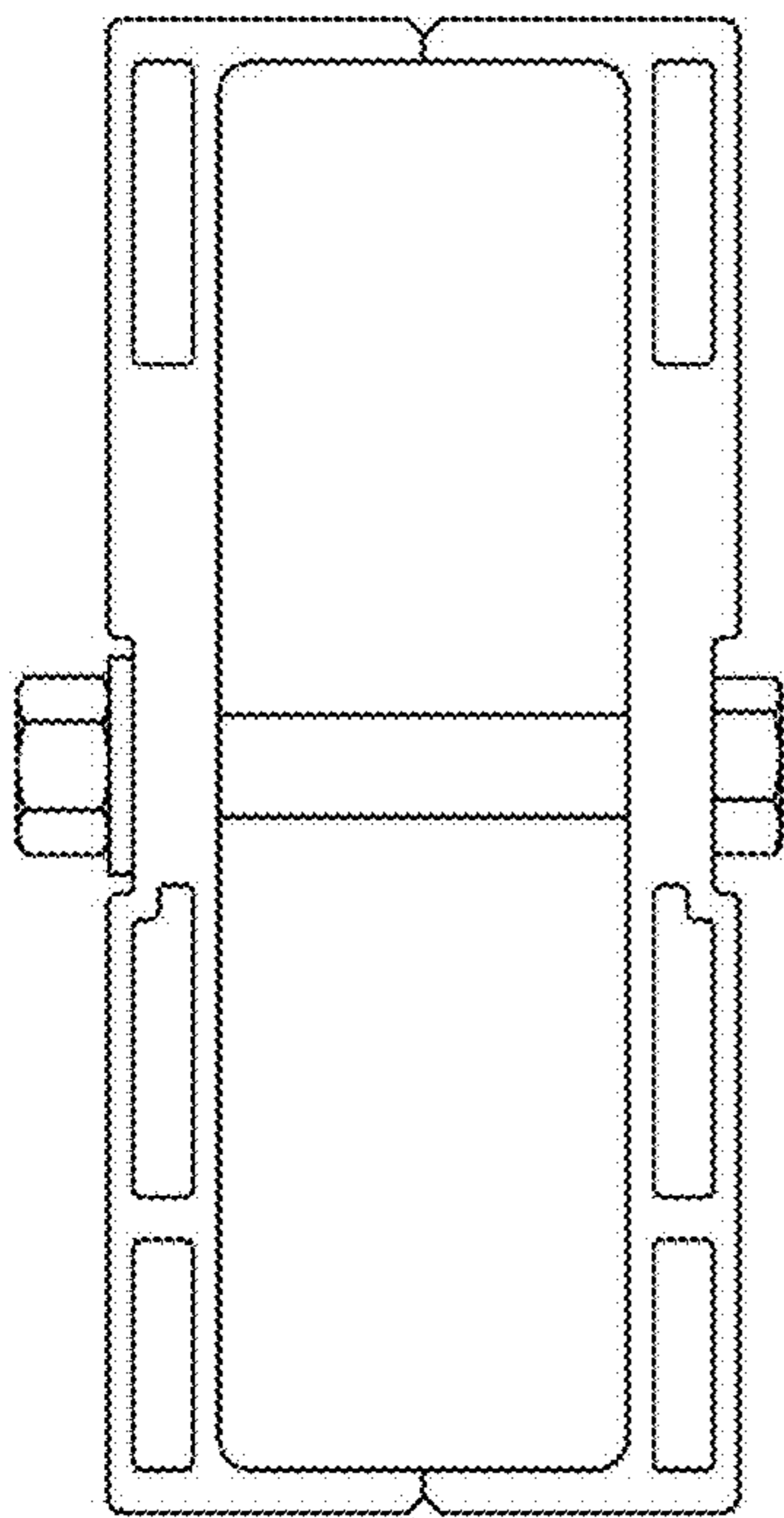


Fig. 10

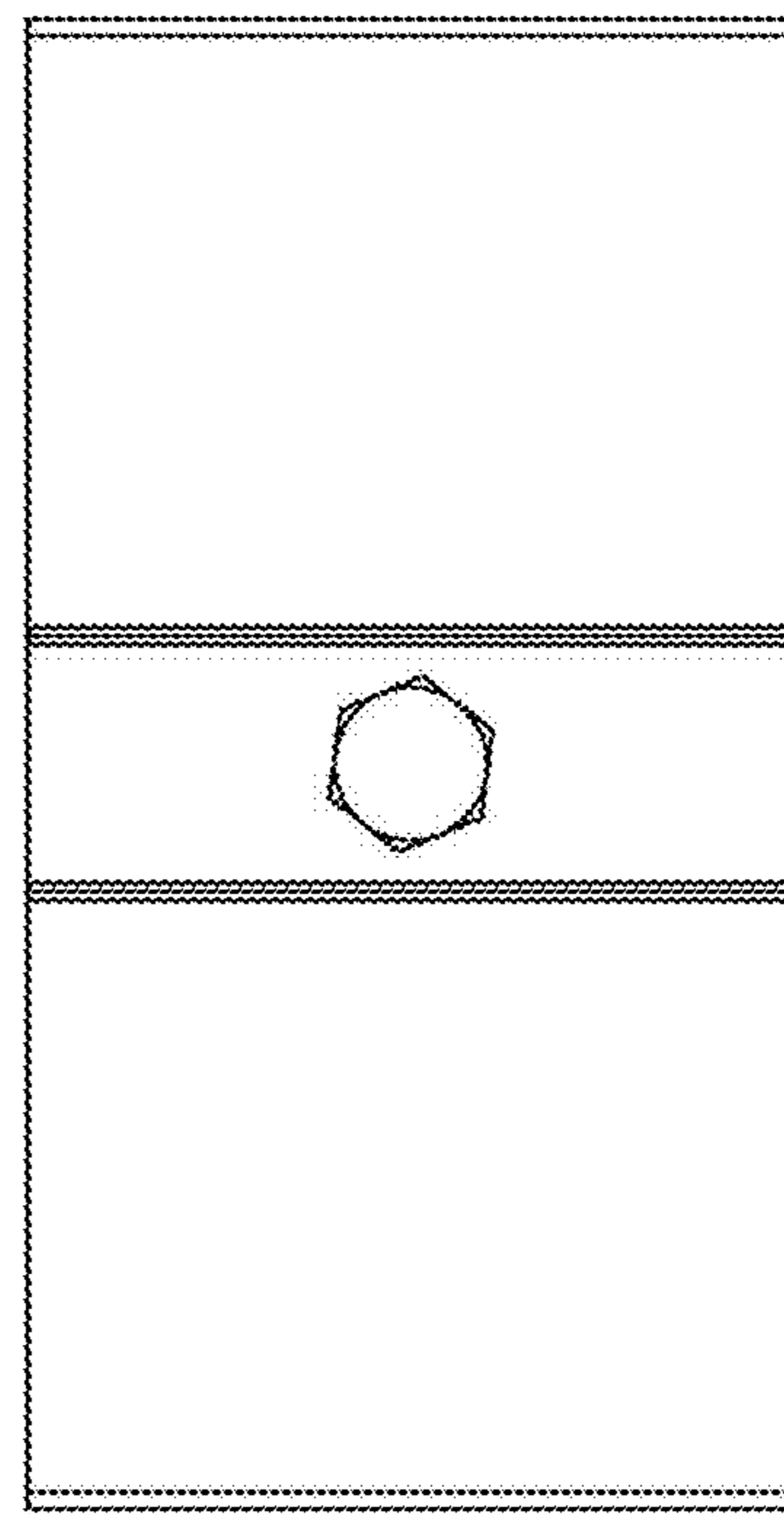


Fig. 11

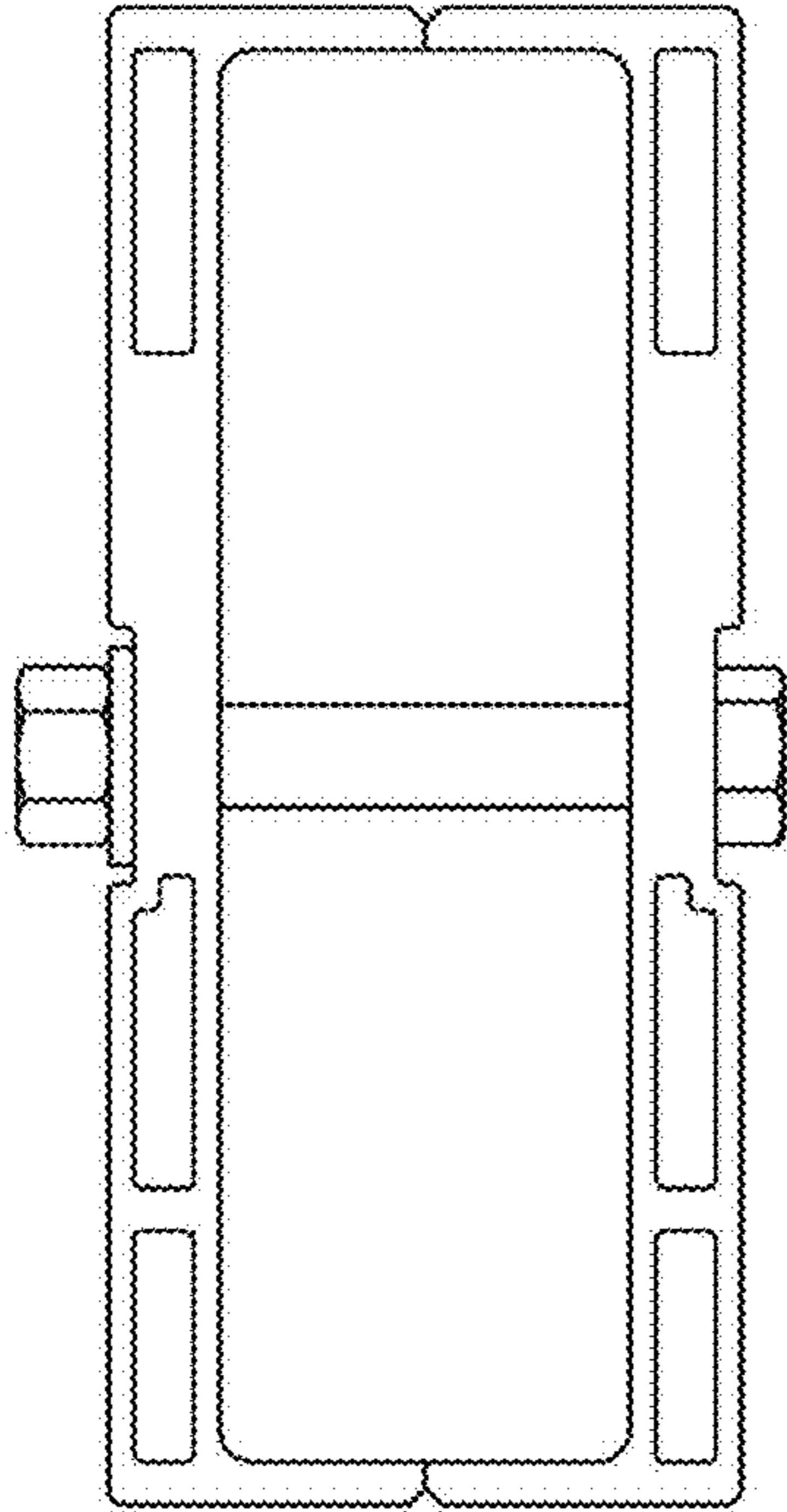


Fig. 12

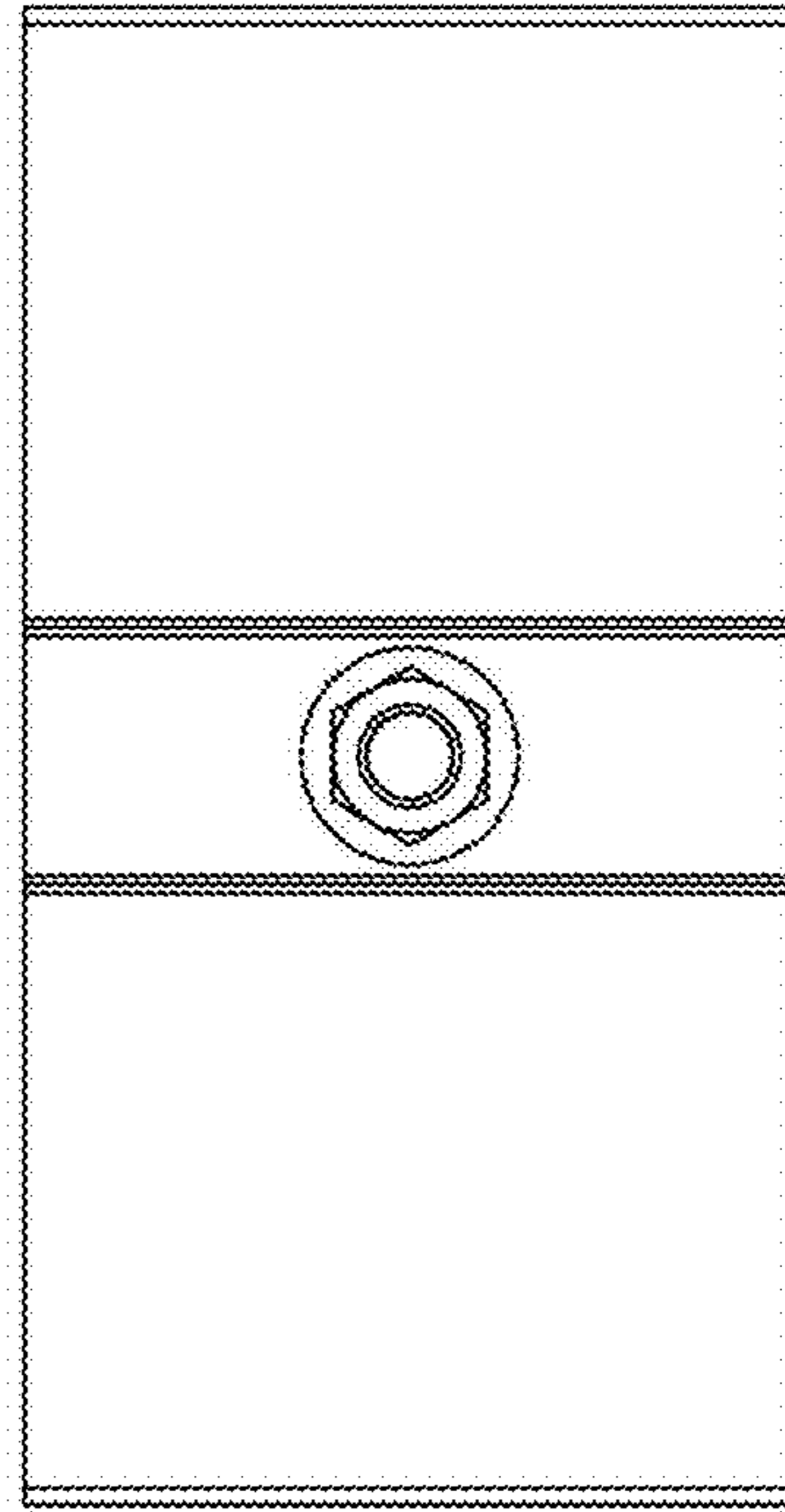


Fig. 13

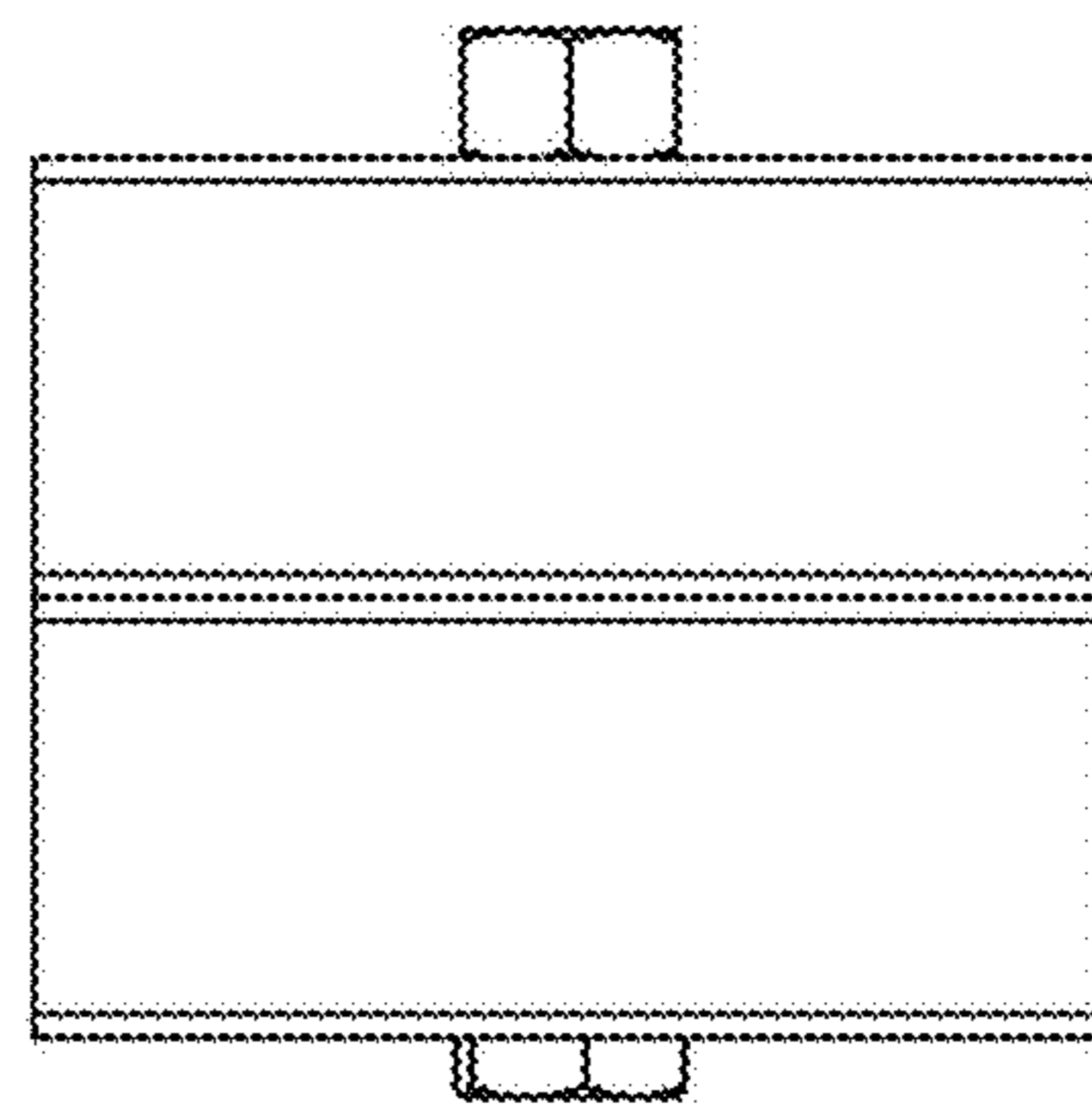


Fig. 14