

US00D731677S

(12) **United States Design Patent**
Bernier

(10) **Patent No.:** **US D731,677 S**

(45) **Date of Patent:** **** *Jun. 9, 2015**

(54) **WINDOW SASH EXTRUSION**

(56) **References Cited**

(71) Applicant: **DALLAIRE INDUSTRIES LTD.**,
Levis (CA)

U.S. PATENT DOCUMENTS

(72) Inventor: **Richard Bernier**, Levis (CA)

D378,138	S	*	2/1997	Dallaire et al.	D25/124
D378,430	S	*	3/1997	Dallaire et al.	D25/125
D414,278	S	*	9/1999	Dallaire et al.	D25/125
6,216,401	B1	*	4/2001	Emek	52/204.5
7,040,062	B2	*	5/2006	Emek	52/204.62

(73) Assignee: **Dallaire Industries Ltd.**, Levis, Quebec
(CA)

* cited by examiner

(*) Notice: This patent is subject to a terminal disclaimer.

Primary Examiner — Doris Clark

(**) Term: **14 Years**

(74) *Attorney, Agent, or Firm* — Curtis B. Behmann; Borden
Ladner Gervais LLP

(21) Appl. No.: **29/467,328**

(57) **CLAIM**

The ornamental design for window sash extrusion, as shown
and described.

(22) Filed: **Sep. 18, 2013**

DESCRIPTION

(30) **Foreign Application Priority Data**

Aug. 9, 2013 (CA) 152415

(51) **LOC (10) Cl.** **25-01**

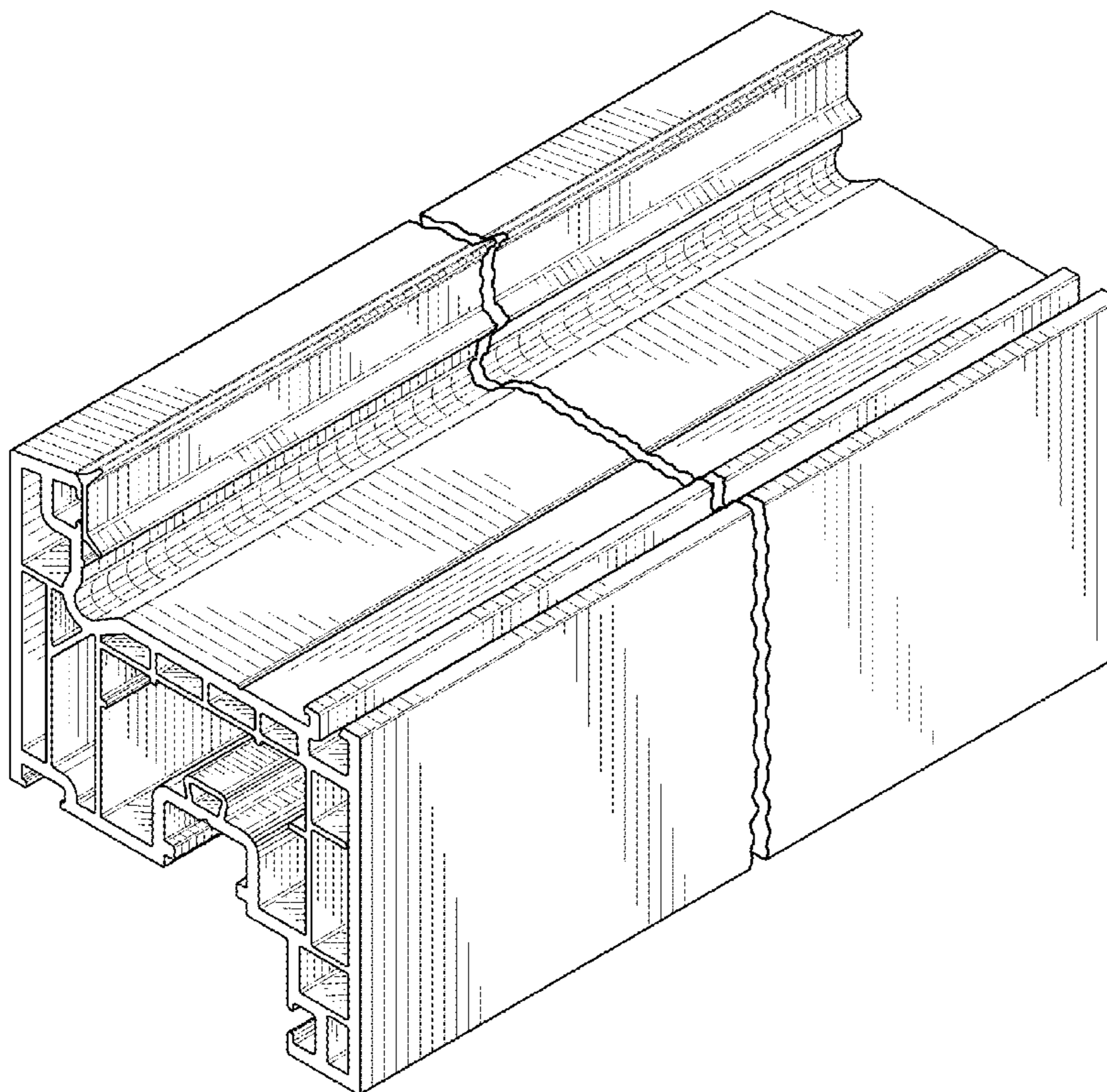
(52) **U.S. Cl.**
USPC **D25/125**

(58) **Field of Classification Search**
USPC D25/124, 125; 52/204.1, 204.5, 204.55,
52/656.5, 656.6, 656.7, 209, 204.6, 204.7,
52/204.61, 204.62, 204.69; 49/501, 504,
49/DIG. 2

FIG. 1 is a front right perspective view of the window sash
extrusion;
FIG. 2 is a bottom rear left perspective view thereof;
FIG. 3 is a front view thereof;
FIG. 4 is a rear view thereof;
FIG. 5 is a right side view thereof;
FIG. 6 is a left side view thereof;
FIG. 7 is a top view thereof; and,
FIG. 8 is a bottom view thereof.

See application file for complete search history.

1 Claim, 6 Drawing Sheets



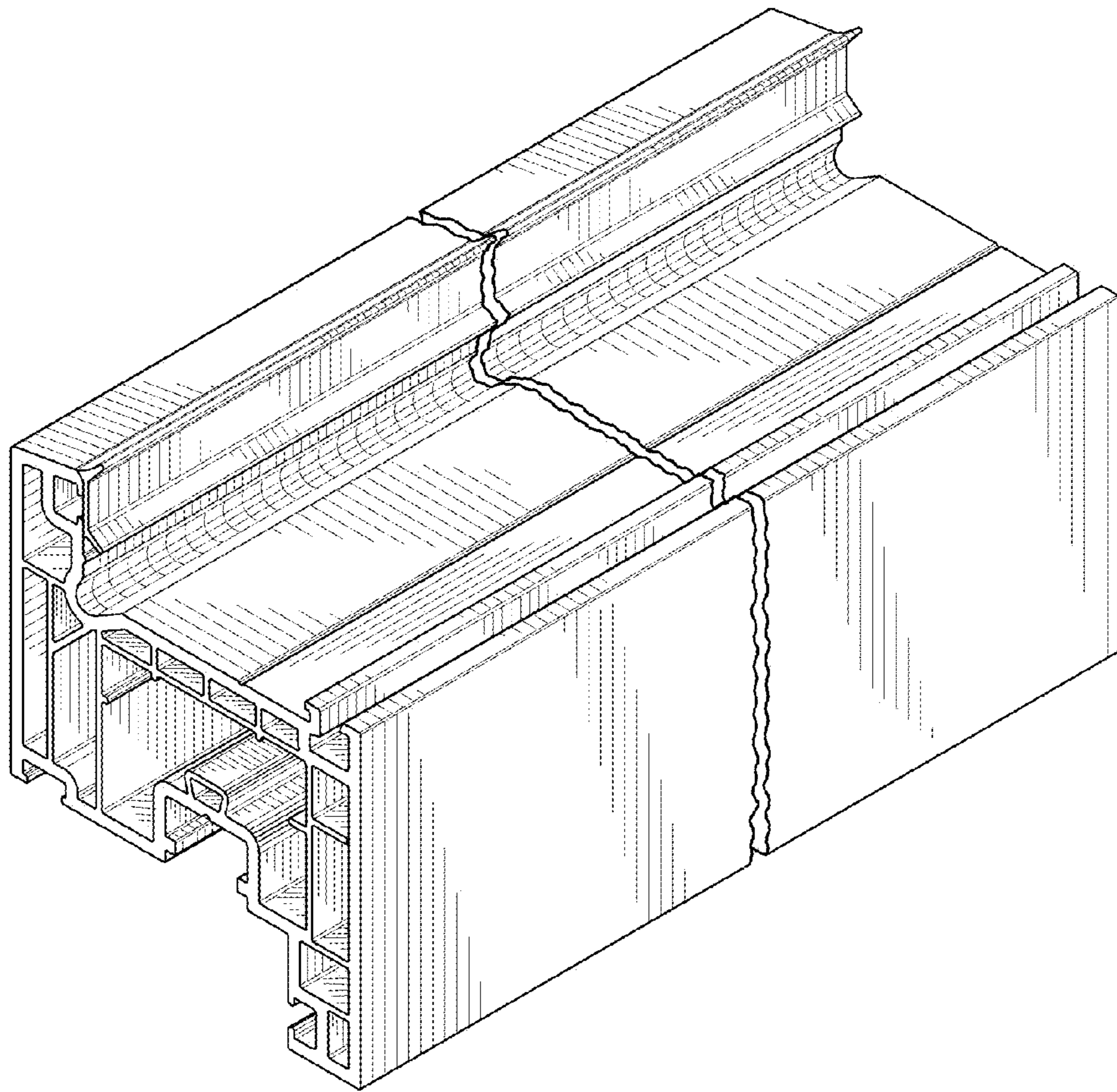


FIG.1

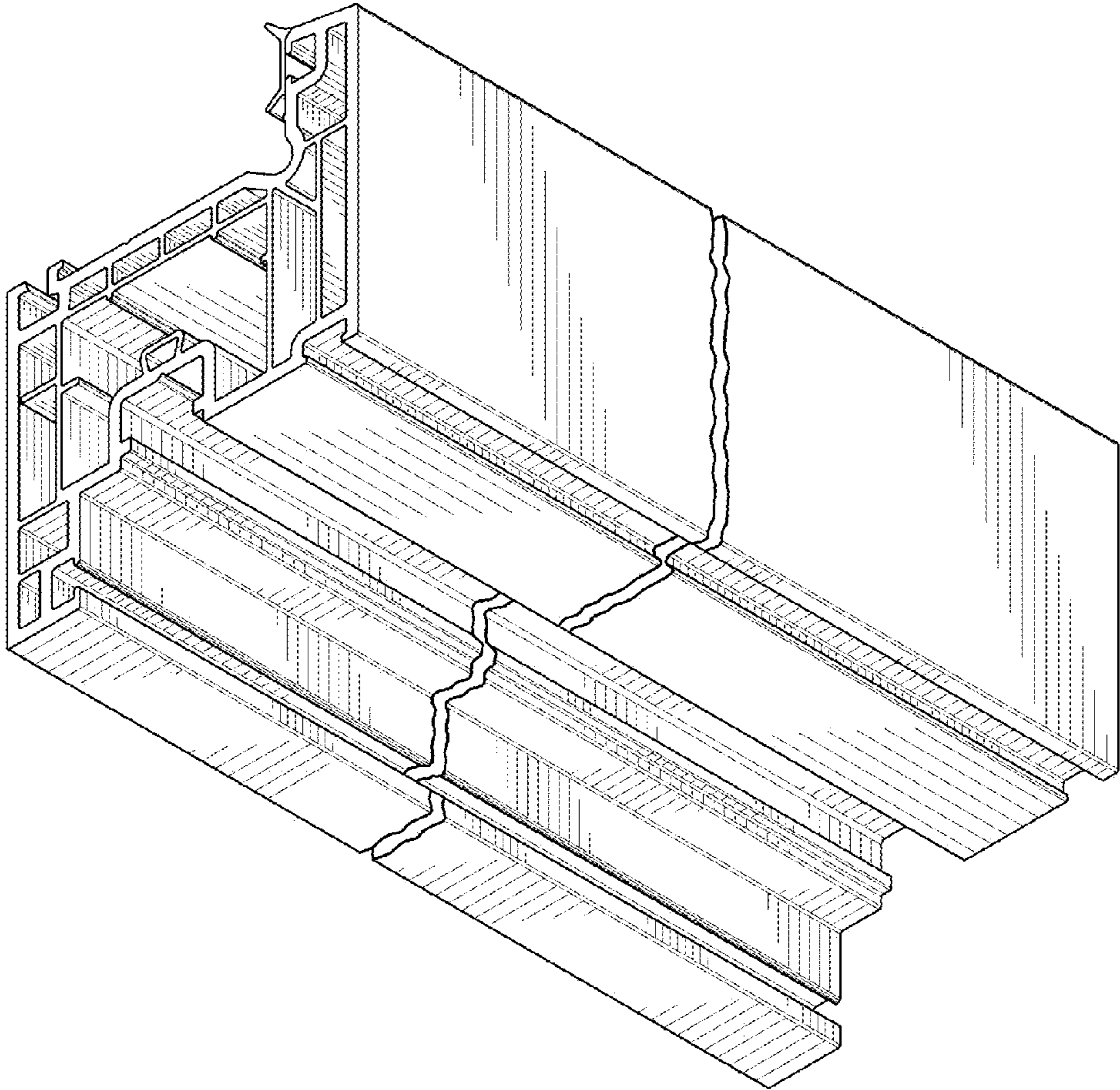


FIG.2

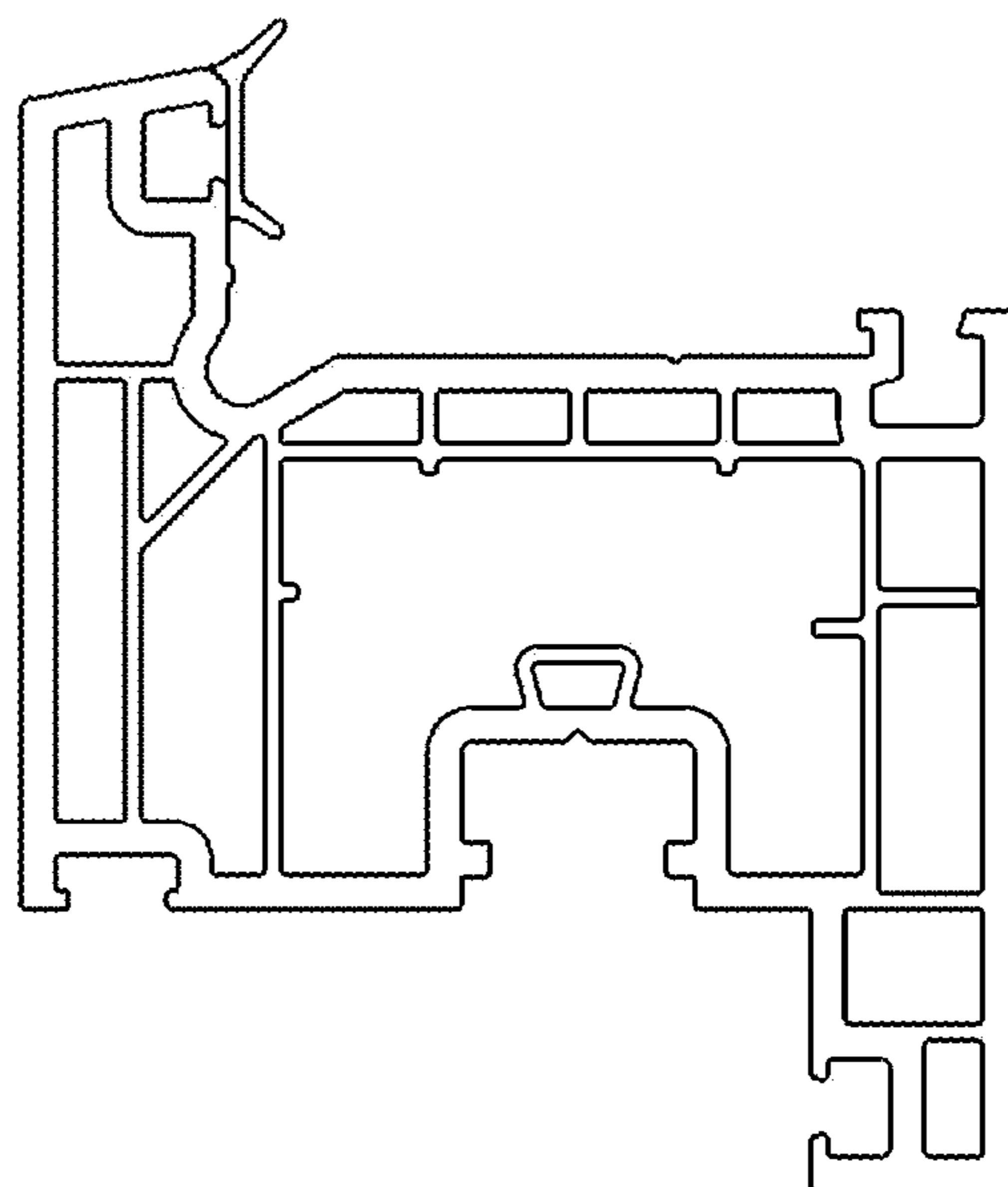


FIG.3

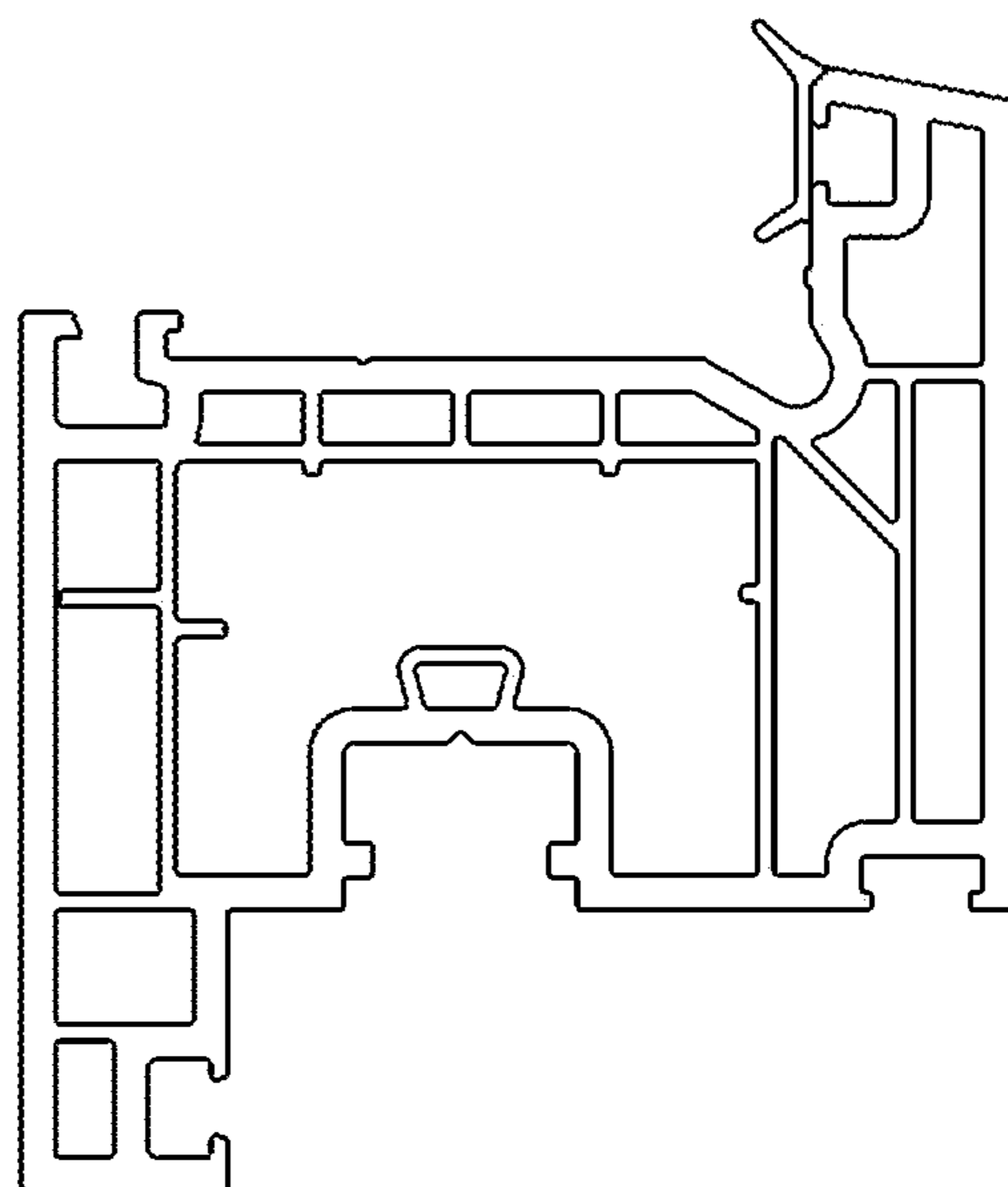


FIG.4

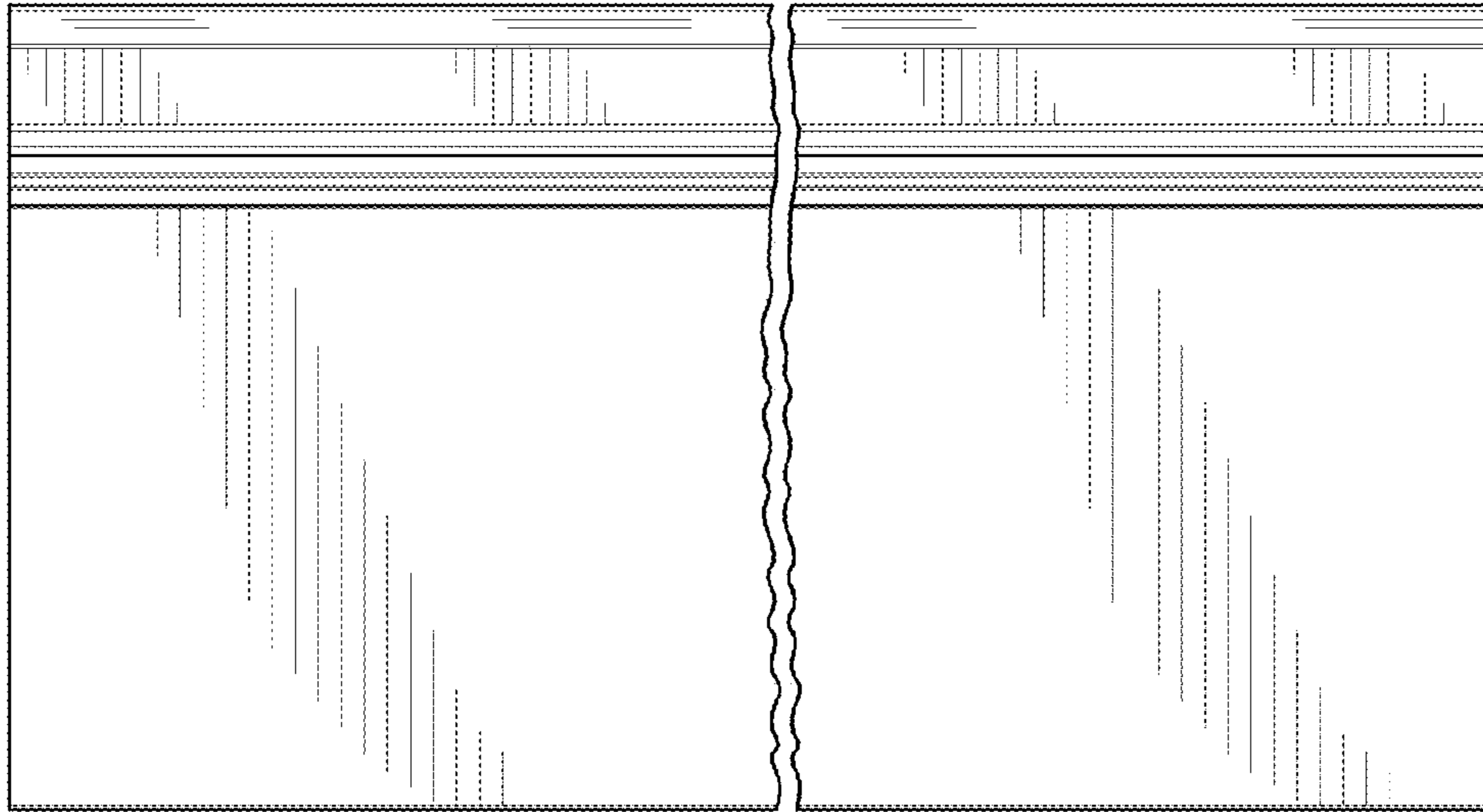


FIG. 5

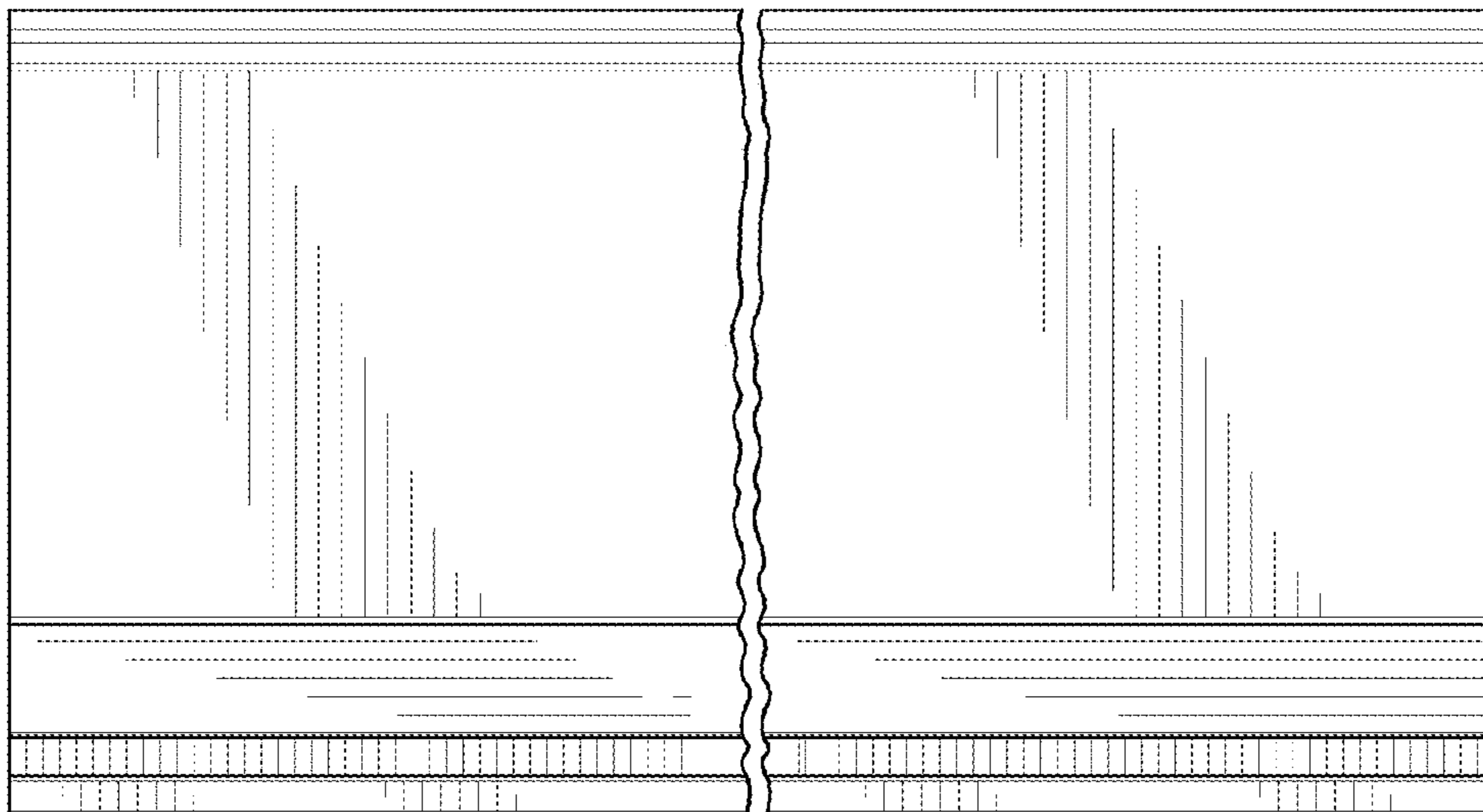


FIG. 6

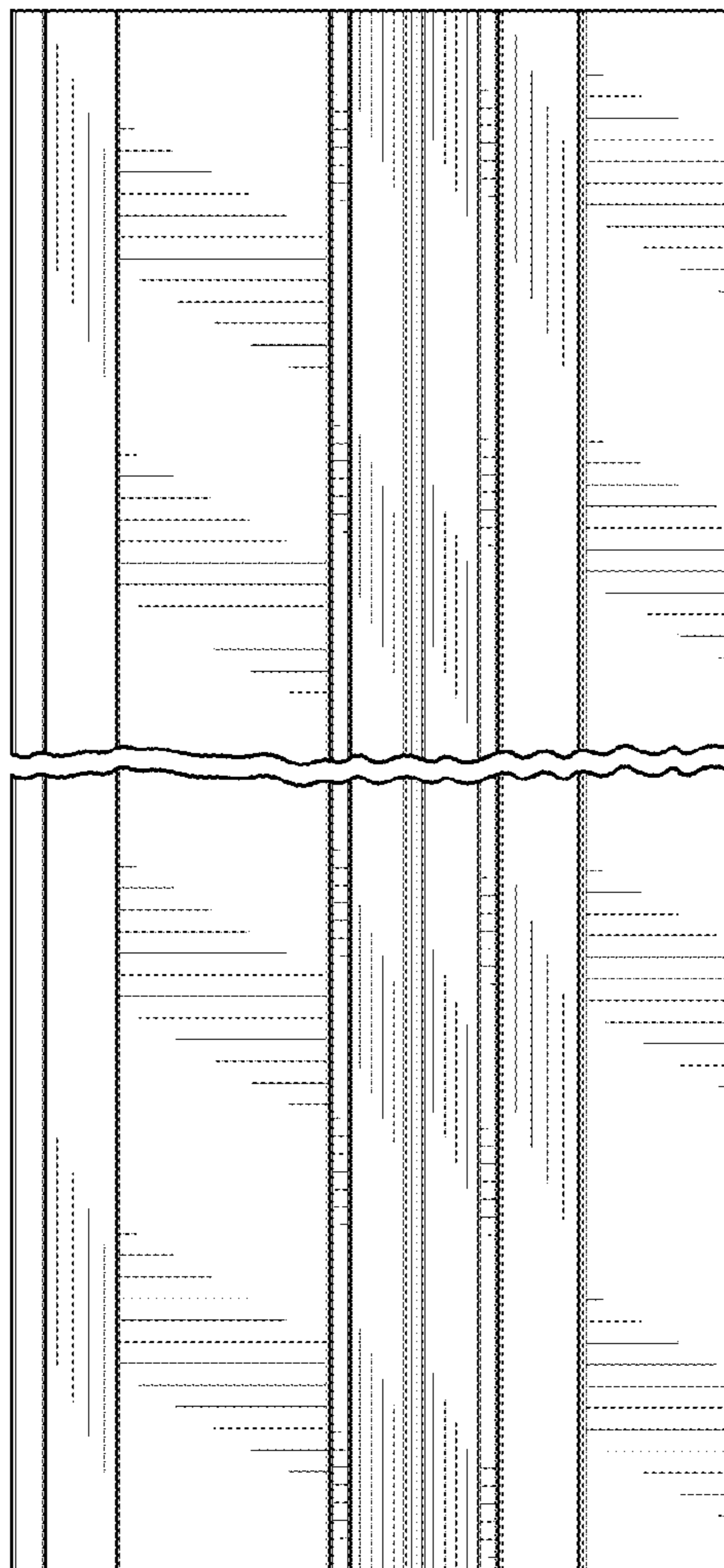


FIG.7

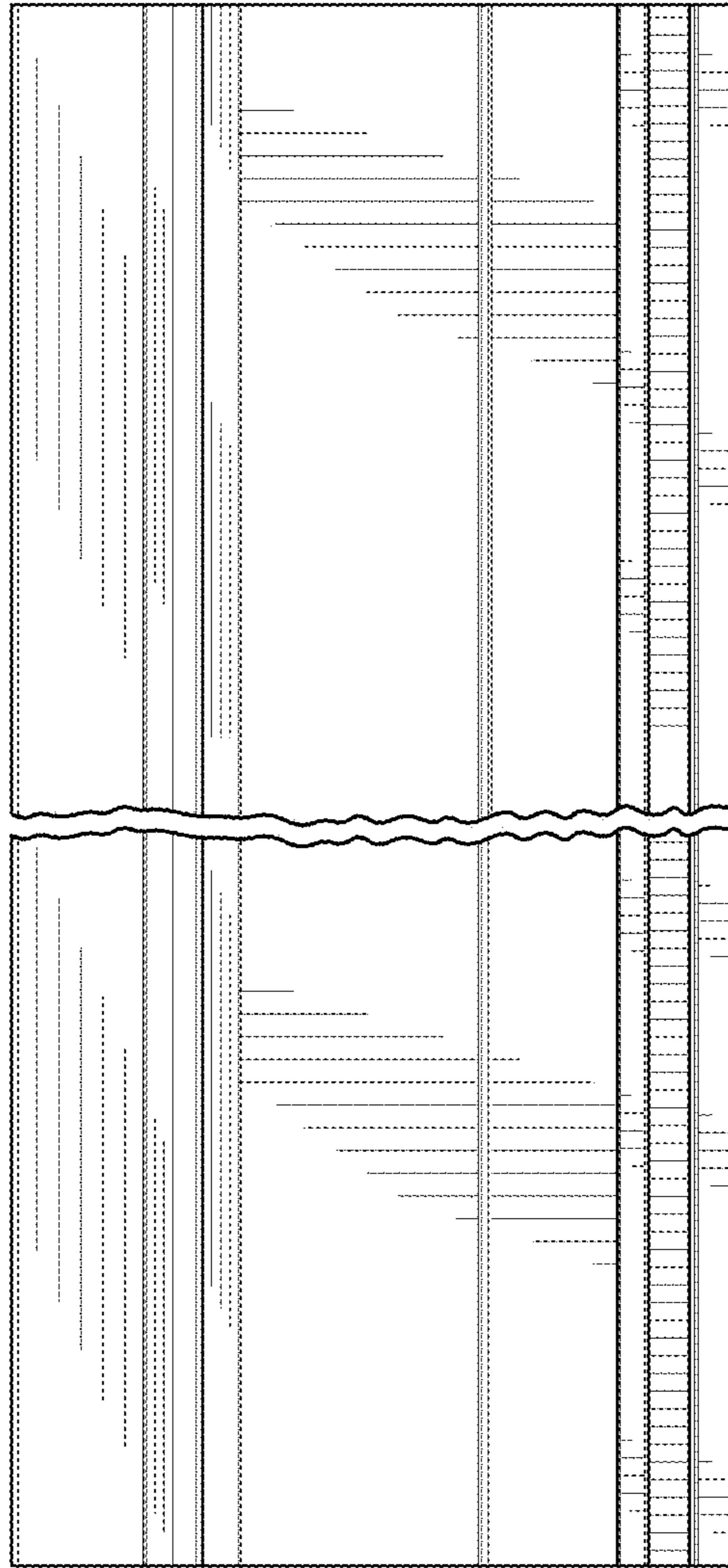


FIG.8