



US00D731671S

(12) **United States Design Patent**
Gruner

(10) **Patent No.:** **US D731,671 S**
(45) **Date of Patent:** **** Jun. 9, 2015**

(54) **MICROCUVETTE**

(71) Applicant: **Eppendorf AG**, Hamburg (DE)

(72) Inventor: **Kathlen Gruner**, Hamburg (DE)

(73) Assignee: **Eppendorf AG**, Hamburg (DE)

(**) Term: **14 Years**

(21) Appl. No.: **29/448,894**

(22) Filed: **Mar. 14, 2013**

(30) **Foreign Application Priority Data**

Dec. 14, 2012 (DE) 40 2012 005 799

(51) **LOC (10) Cl.** **24-02**

(52) **U.S. Cl.**
USPC **D24/224**

(58) **Field of Classification Search**
USPC D24/222-230, 216, 231, 169, 121;
D10/81; 600/573; 435/6.12; 436/180,
436/163-164, 169; 422/408, 430, 68.1,
422/547-554, 556-561, 500-504
See application file for complete search history.

(56) **References Cited**

U.S. PATENT DOCUMENTS

D302,294 S *	7/1989	Hillman	D24/223
D324,426 S *	3/1992	Fan et al.	D24/226
D328,135 S *	7/1992	Fan et al.	D24/216
D337,388 S *	7/1993	Nilsson et al.	D24/227
D395,708 S *	6/1998	Shartle et al.	D24/225
D433,150 S *	10/2000	Wahlqvist et al.	D24/224
D456,082 S *	4/2002	Bouse et al.	D24/223
D461,906 S *	8/2002	Pham	D24/225
D467,348 S *	12/2002	McMichael et al.	D24/229
D470,595 S *	2/2003	Crisanti et al.	D24/223
D495,805 S *	9/2004	Lea et al.	D24/223
D500,142 S *	12/2004	Crisanti et al.	D24/224
D531,321 S *	10/2006	Godfrey et al.	D24/225
D540,953 S *	4/2007	Ramel et al.	D24/224
D562,988 S *	2/2008	Pogorzelski	D24/224
D565,742 S *	4/2008	Parunak et al.	D24/224

D566,291 S *	4/2008	Parunak et al.	D24/224
D617,468 S *	6/2010	Marquardt et al.	D24/225
D621,060 S *	8/2010	Handique	D24/225

(Continued)

Primary Examiner — T. Chase Nelson

Assistant Examiner — Mark Cavanna

(74) *Attorney, Agent, or Firm* — White & Case LLP

(57) **CLAIM**

The ornamental design for a microcuvette, as shown and described.

DESCRIPTION

FIG. 1 is a front perspective view of a microcuvette showing the new design, wherein the microcuvette is in a closed configuration;

FIG. 2 is a rear view thereof;

FIG. 3 is a bottom view thereof; and

FIG. 4 is a right side view thereof.

FIG. 5 is a front view thereof;

FIG. 6 is a left side view thereof; and

FIG. 7 is a top view thereof.

FIG. 8 is a side perspective view of the microcuvette shown in FIG. 1, wherein the microcuvette is in a partially-opened configuration;

FIG. 9 is a bottom view thereof.

FIG. 10 is rear view thereof;

FIG. 11 is a top view thereof;

FIG. 12 is a right side view thereof;

FIG. 13 is a front view thereof; and

FIG. 14 is a left side view thereof.

FIG. 15 is a side perspective view of the microcuvette shown in FIG. 1, wherein the microcuvette is in a fully-opened configuration;

FIG. 16 is a rear perspective view thereof;

FIG. 17 is a bottom view thereof;

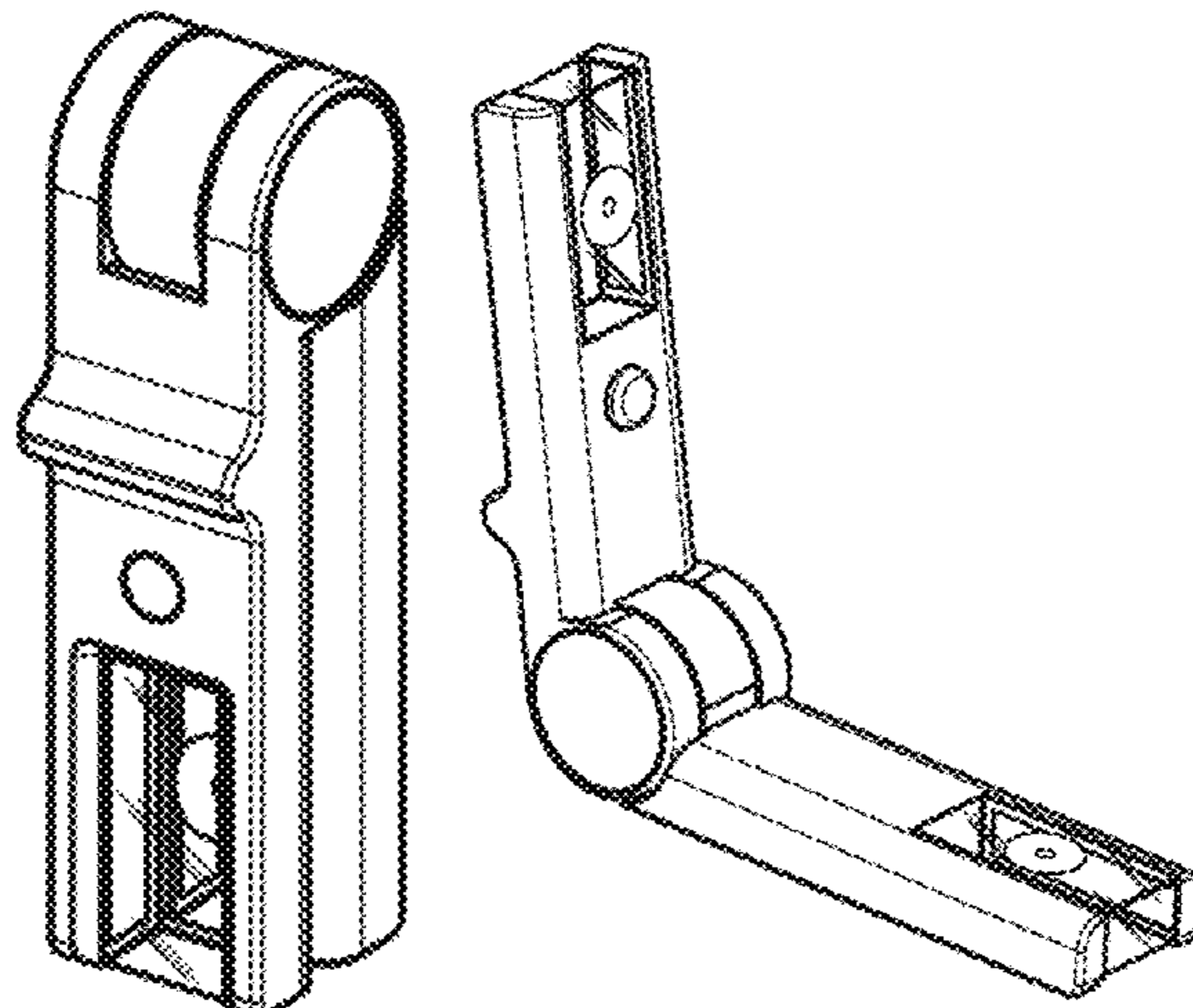
FIG. 18 is a right side view thereof;

FIG. 19 is a front view thereof;

FIG. 20 is a left side view thereof; and,

FIG. 21 is a top view thereof.

1 Claim, 6 Drawing Sheets



(56)

References Cited

U.S. PATENT DOCUMENTS

7,867,776 B2 *	1/2011	Kennedy et al.	436/180	D660,978 S *	5/2012	Wagner et al.	D24/223
D633,209 S *	2/2011	Boessneck et al.	D24/169	D669,191 S *	10/2012	Handique	D24/225
D639,977 S *	6/2011	Francis et al.	D24/225	D686,311 S *	7/2013	Mori	D24/216
D660,977 S *	5/2012	Wagner et al.	D24/223	D686,340 S *	7/2013	Smith et al.	D24/225
				D702,364 S *	4/2014	Iqbal et al.	D24/225
				2010/0106057 A1 *	4/2010	Harvey et al.	600/573
				2011/0268630 A1 *	11/2011	Williams et al.	422/560

* cited by examiner

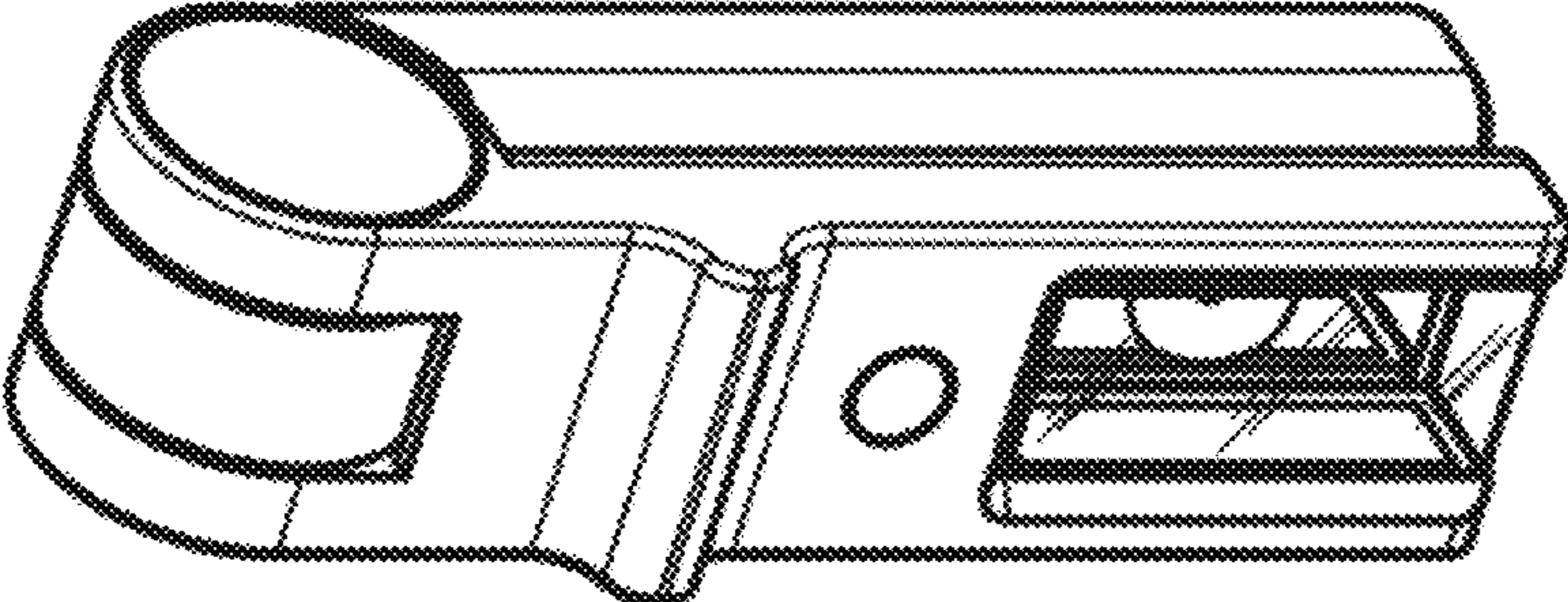


Fig. 1

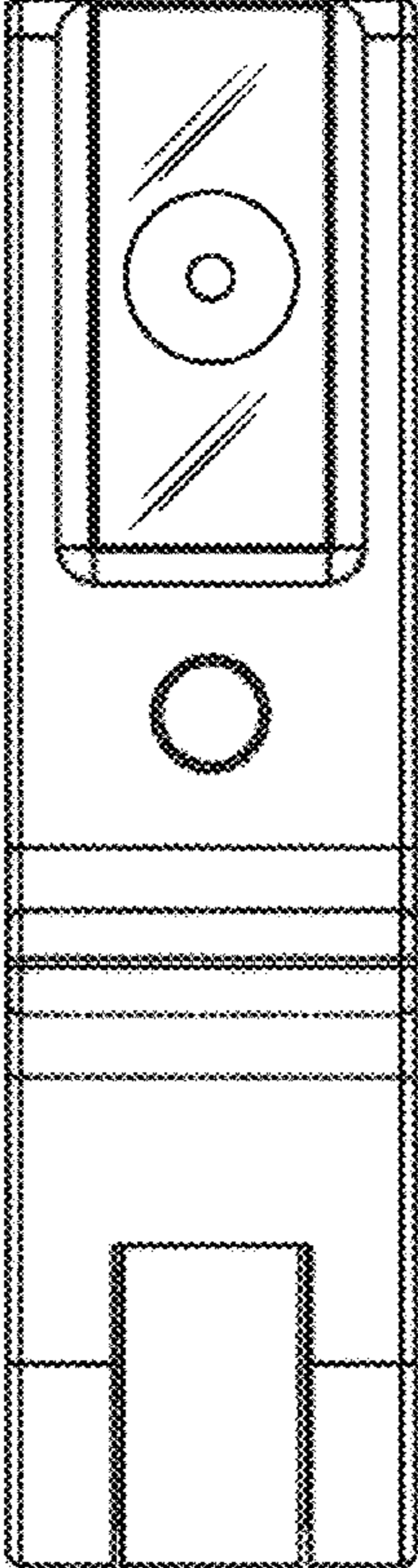


Fig. 2

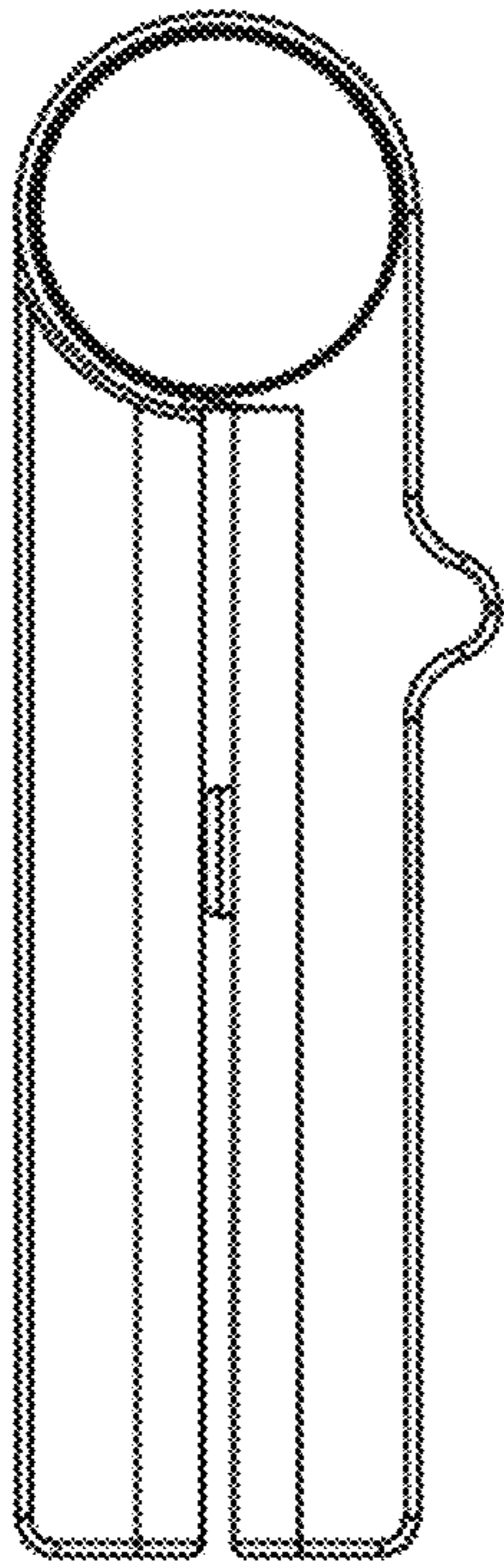


Fig. 3

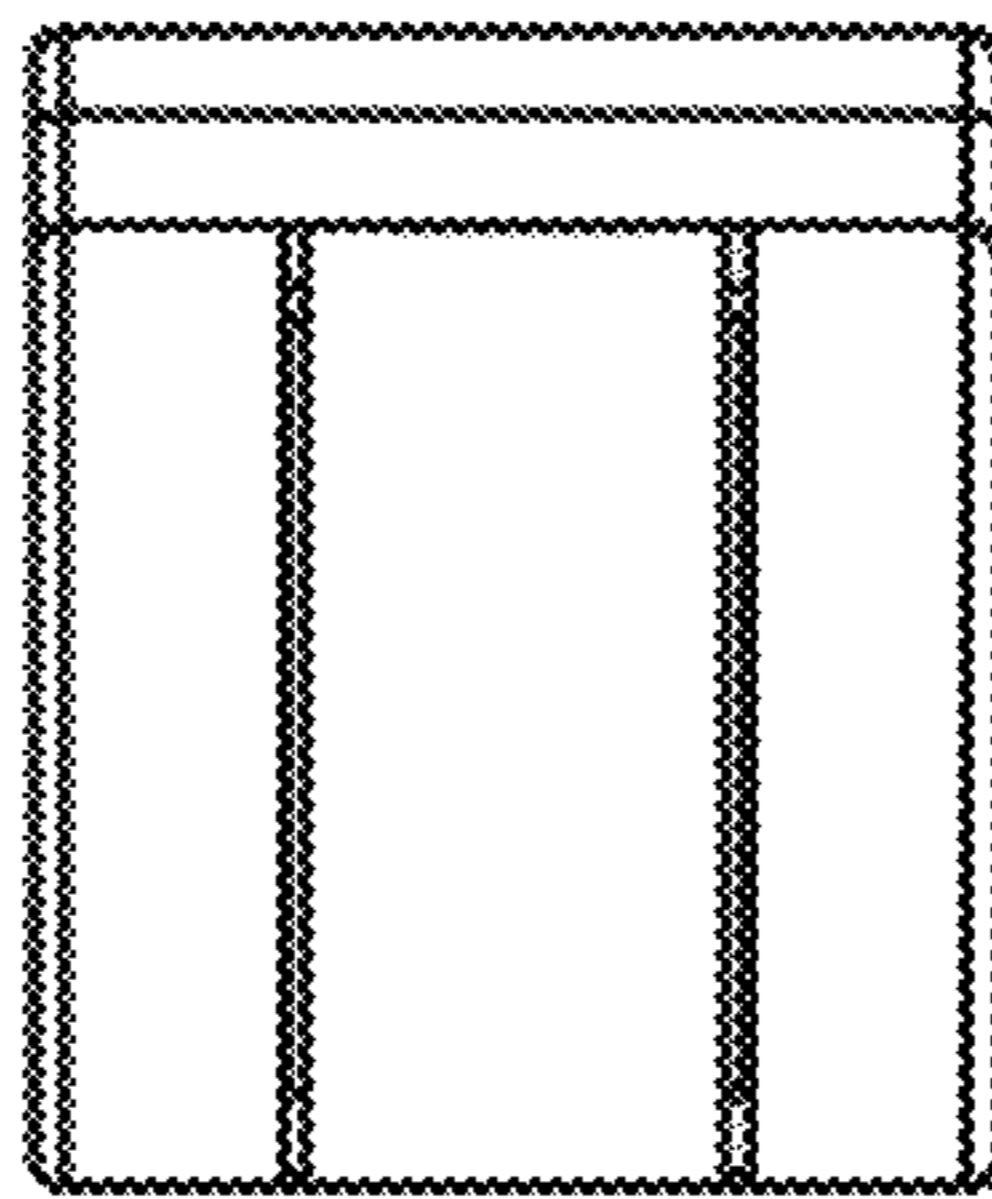


Fig. 4

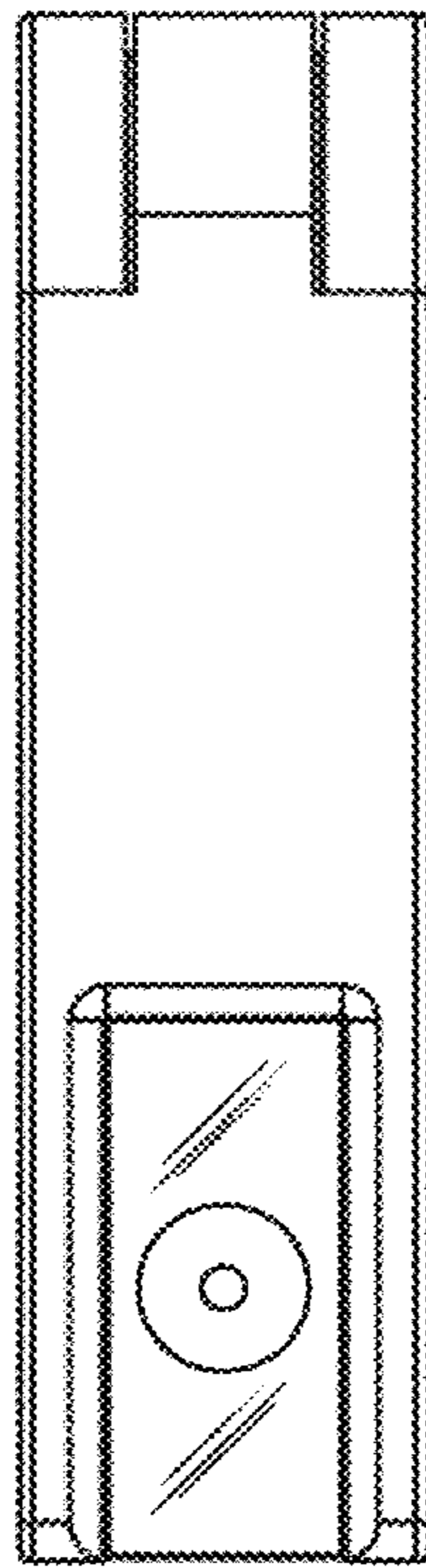


Fig. 5

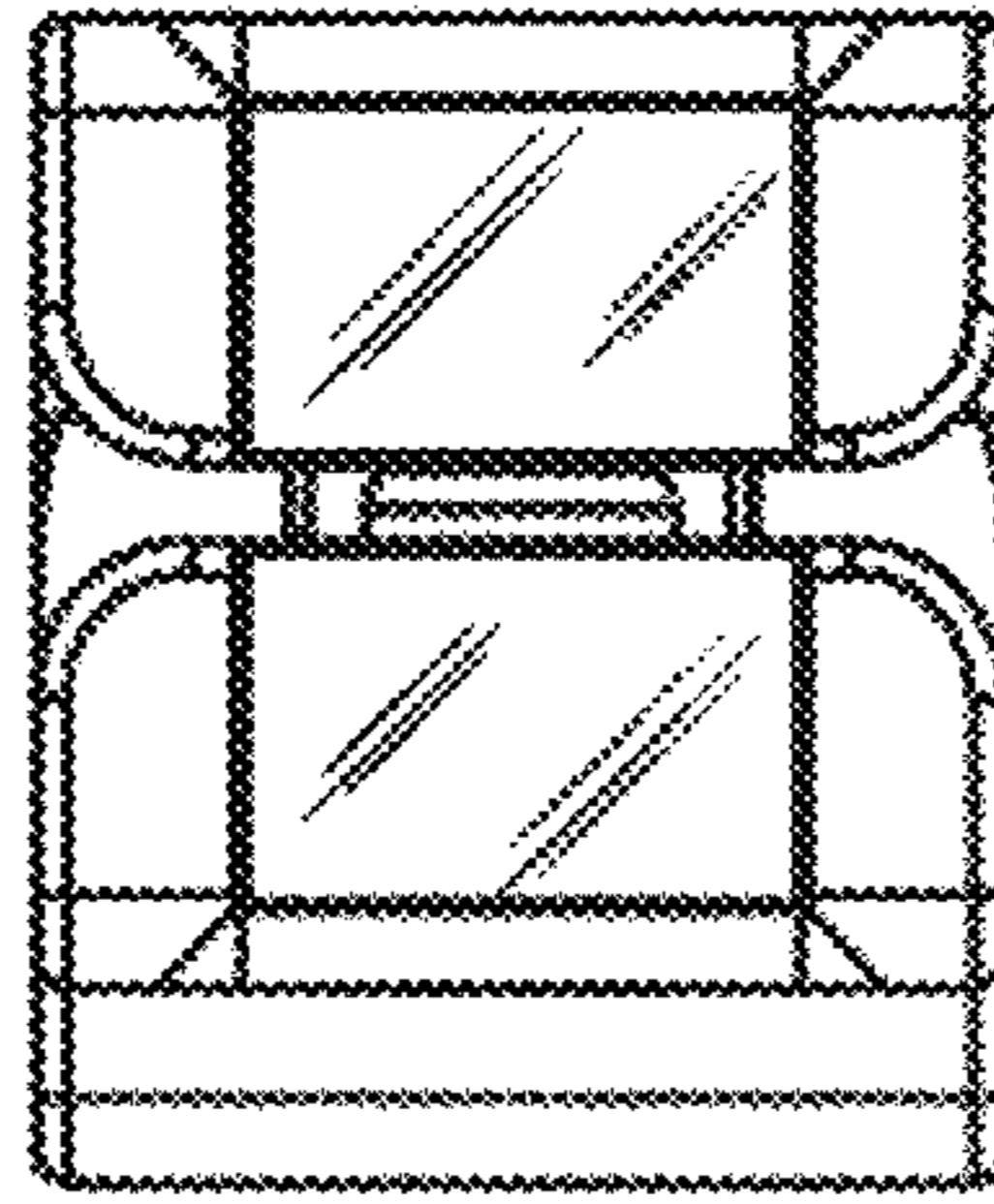


Fig. 6

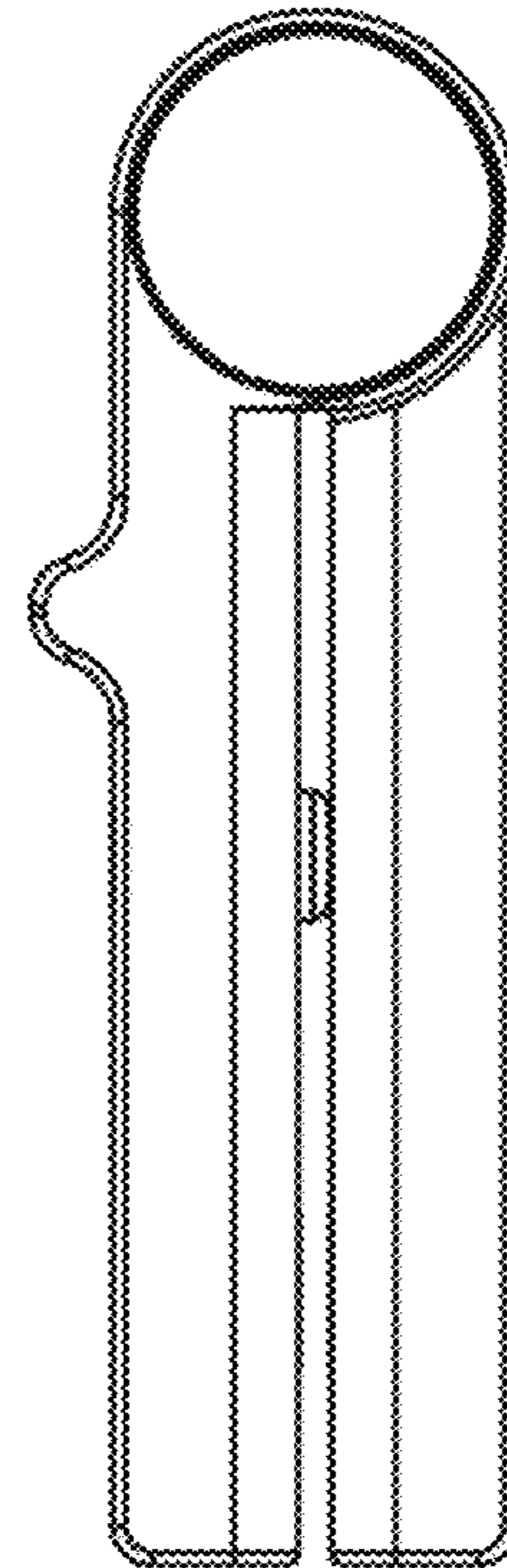


Fig. 7

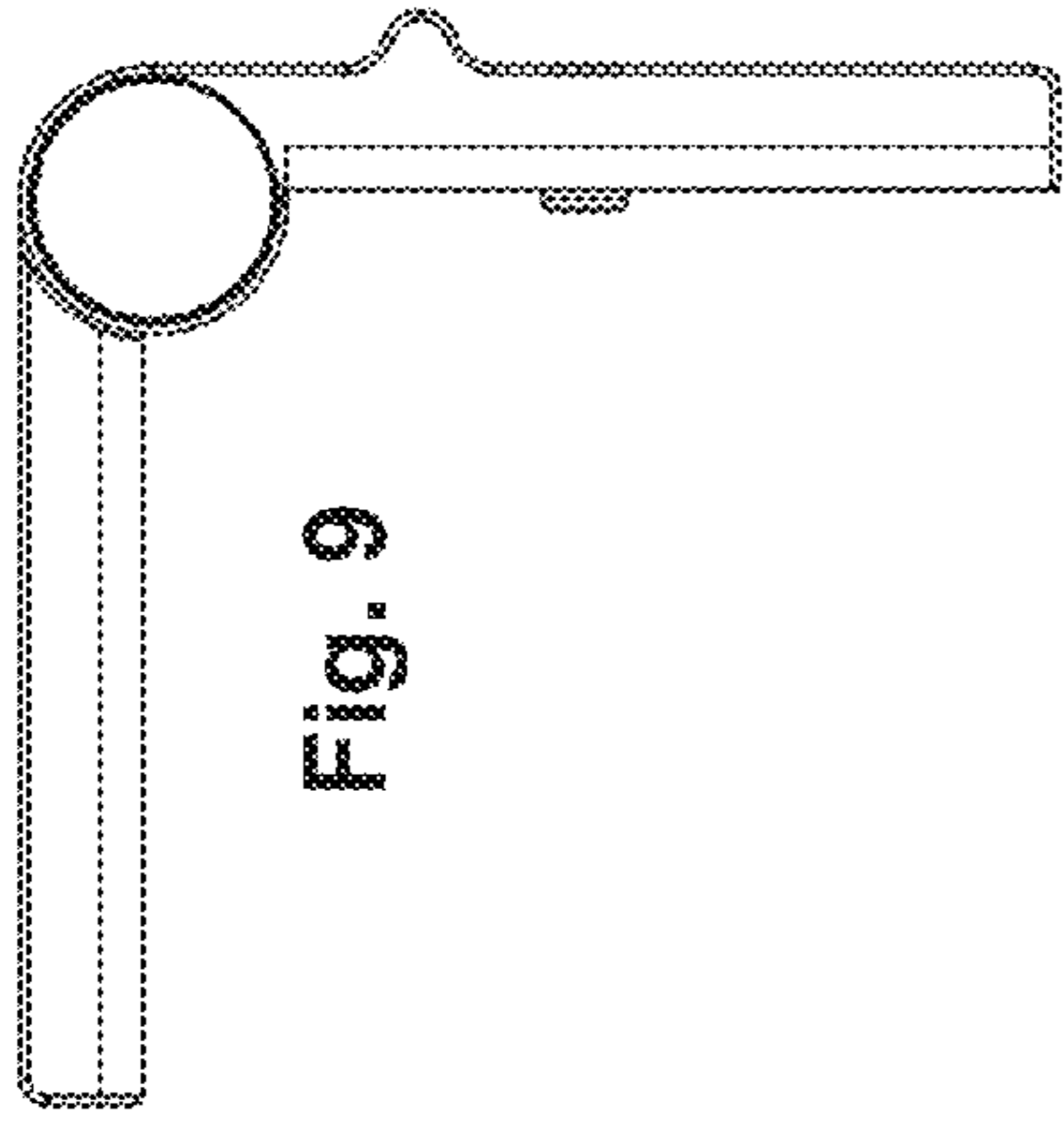


Fig. 9

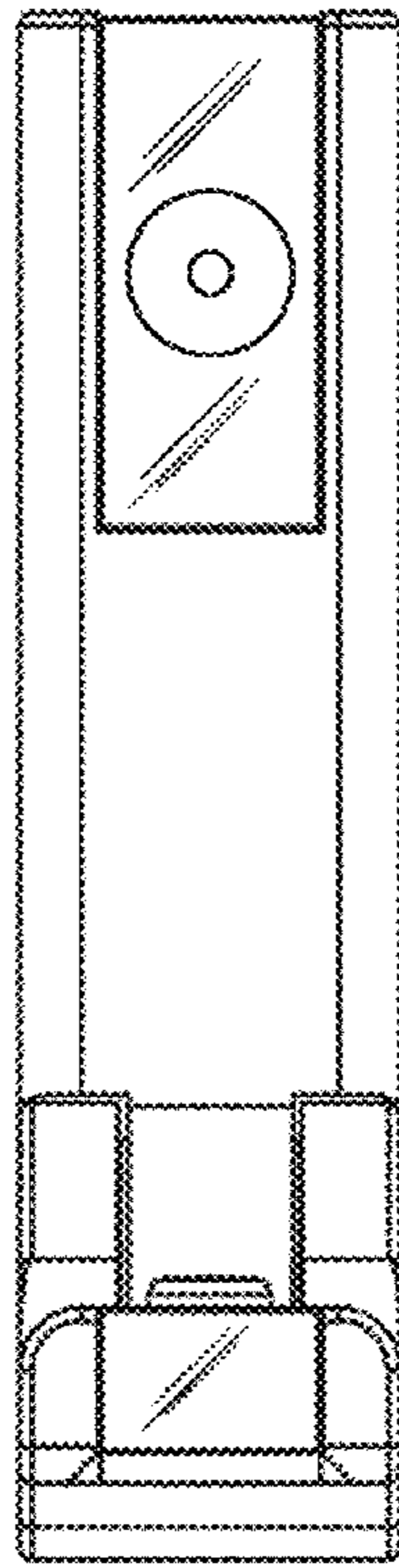


Fig. 10

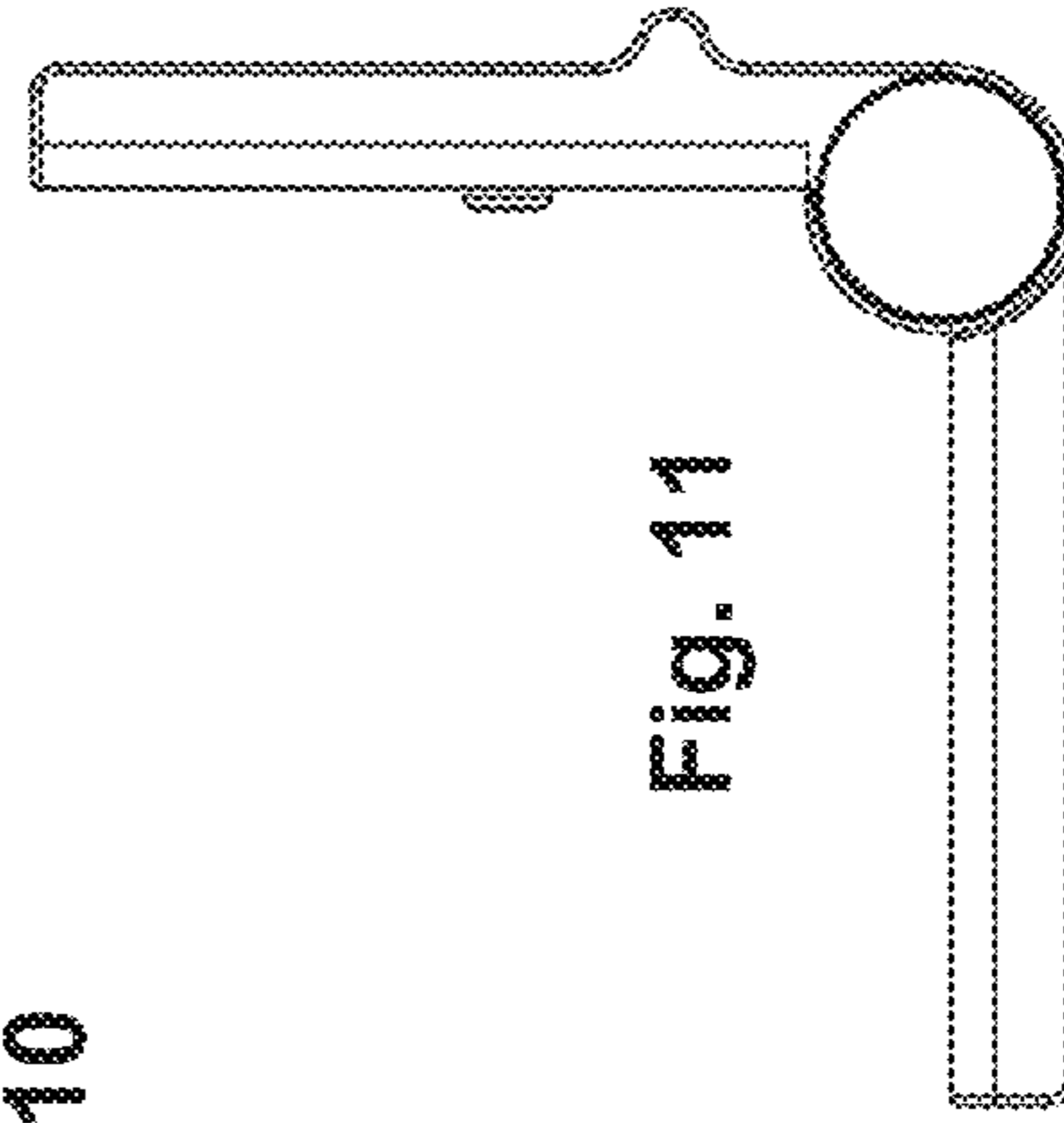


Fig. 11

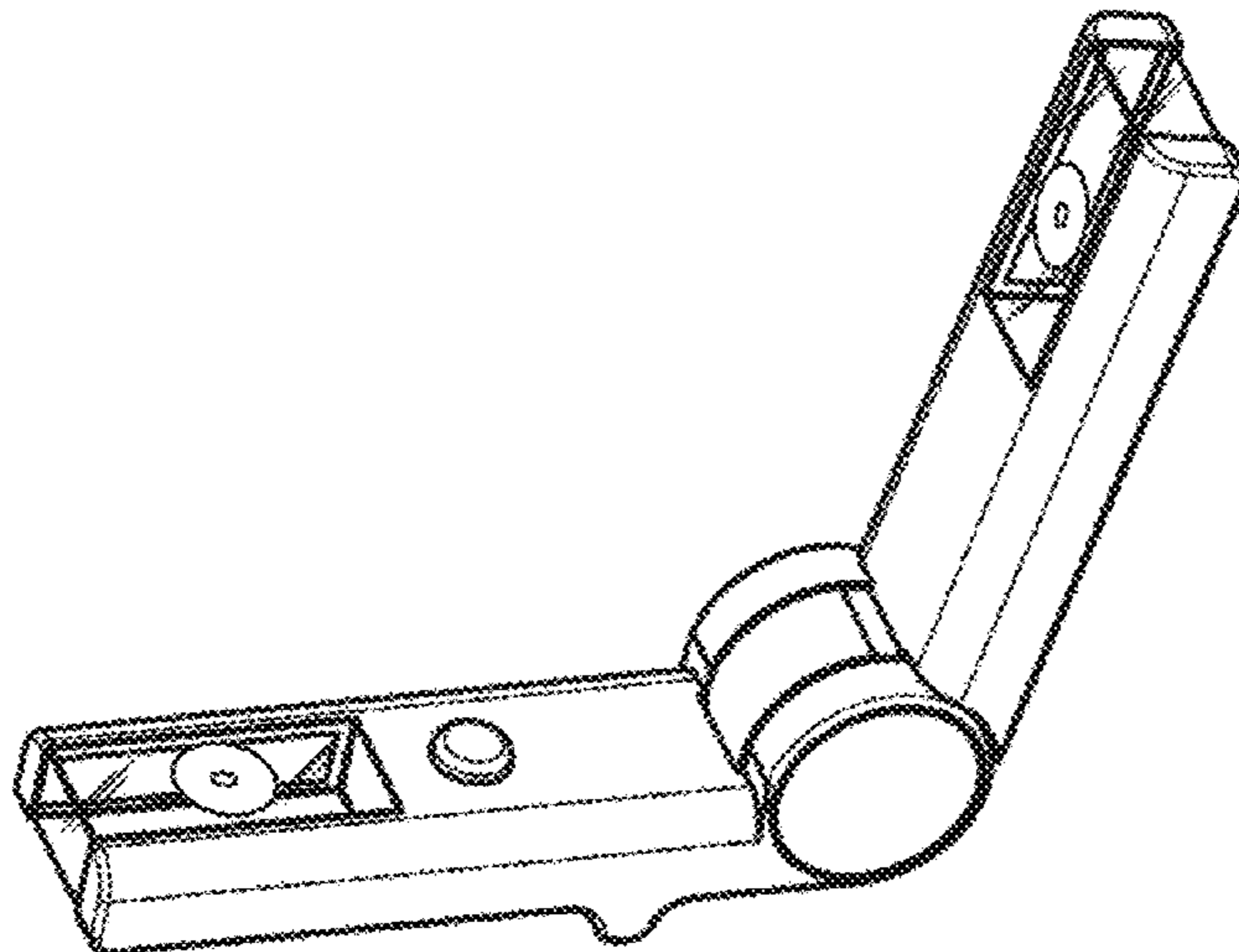


Fig. 8

Fig. 12

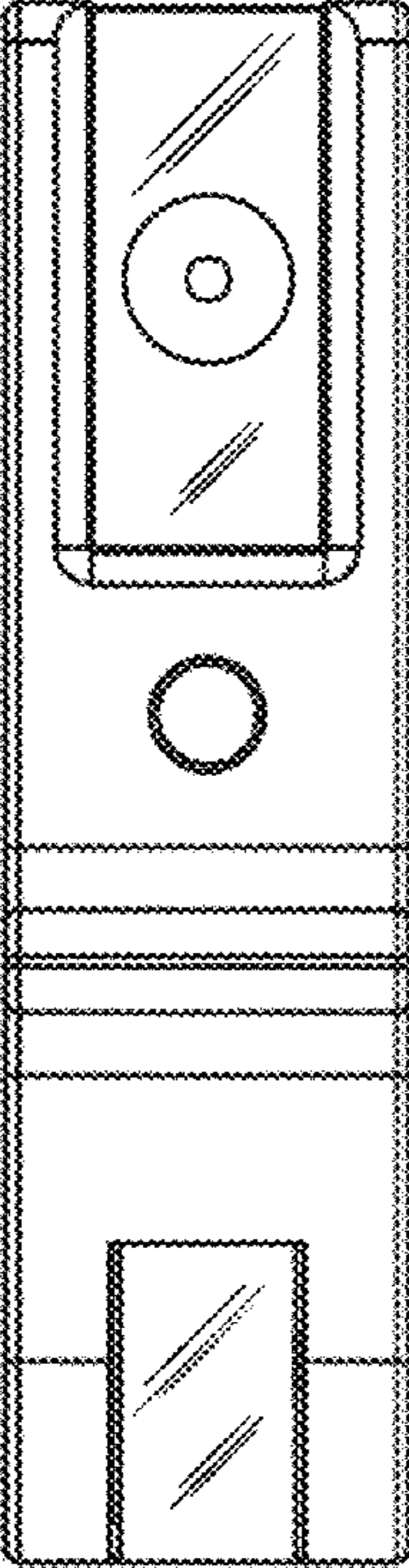


Fig. 13

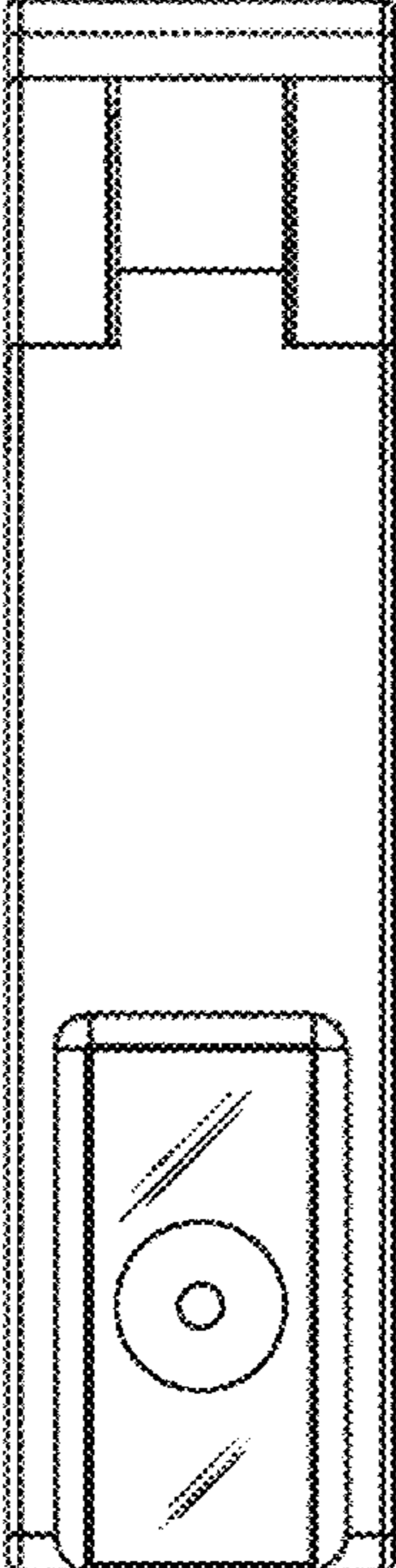
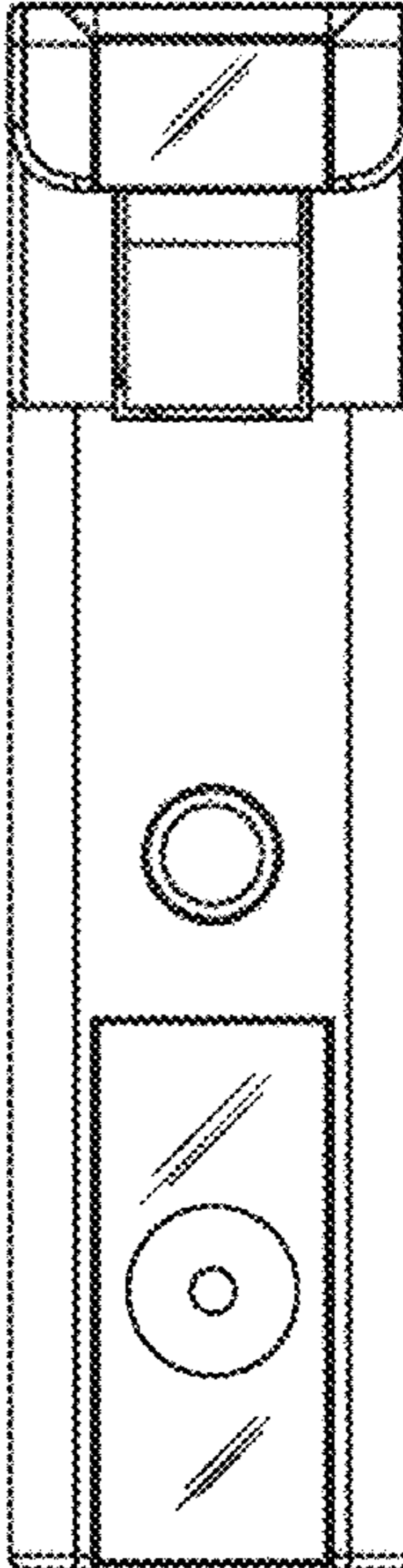


Fig. 14



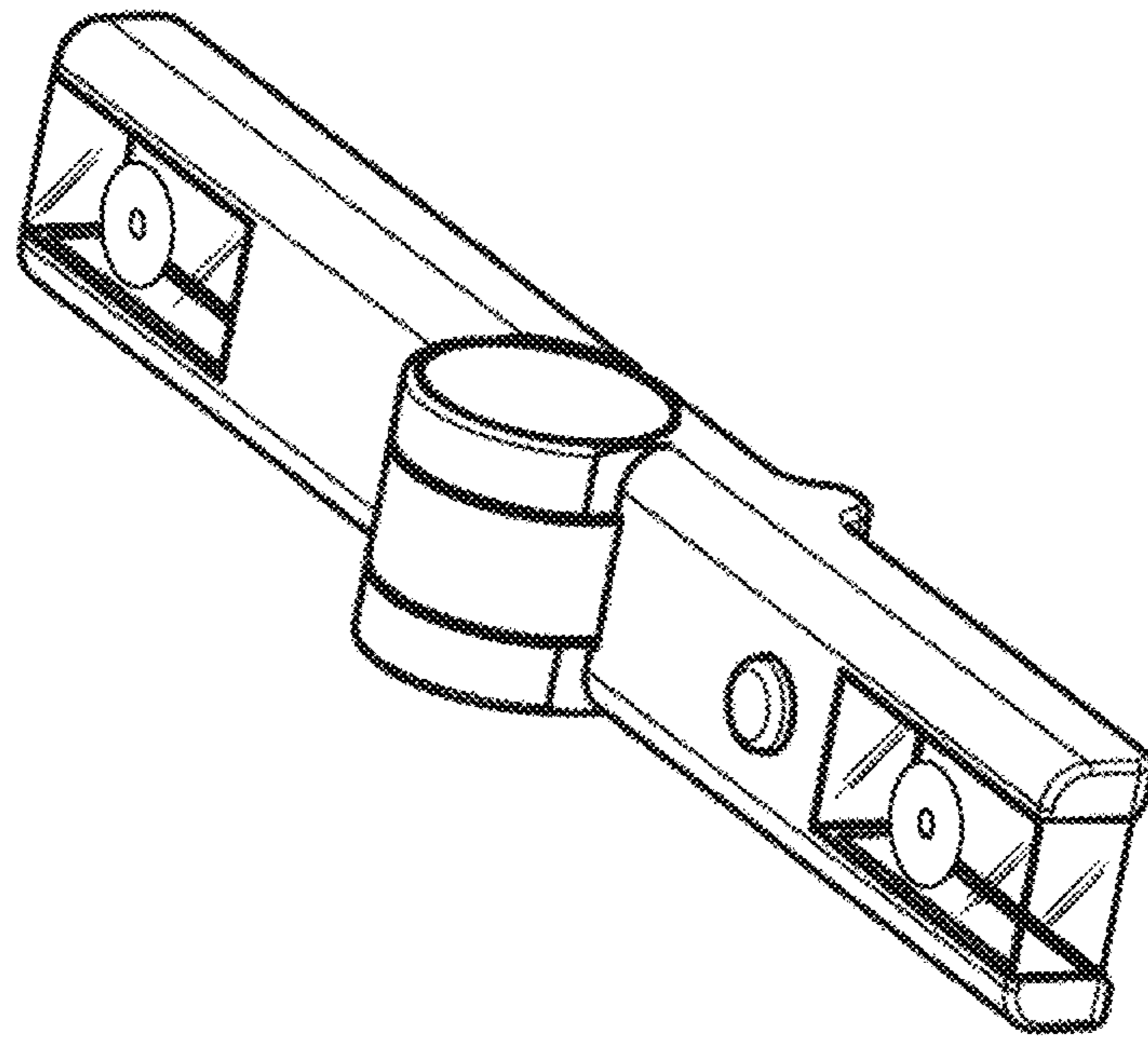


Fig. 15

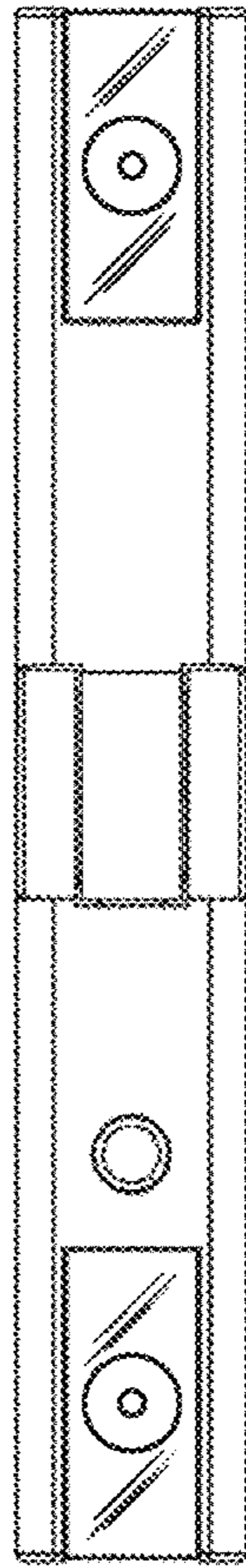


Fig. 16

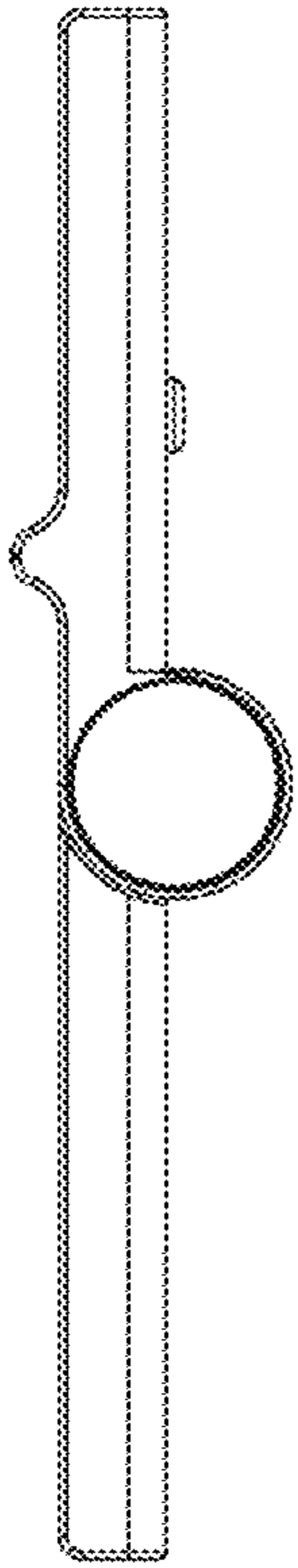


Fig. 17

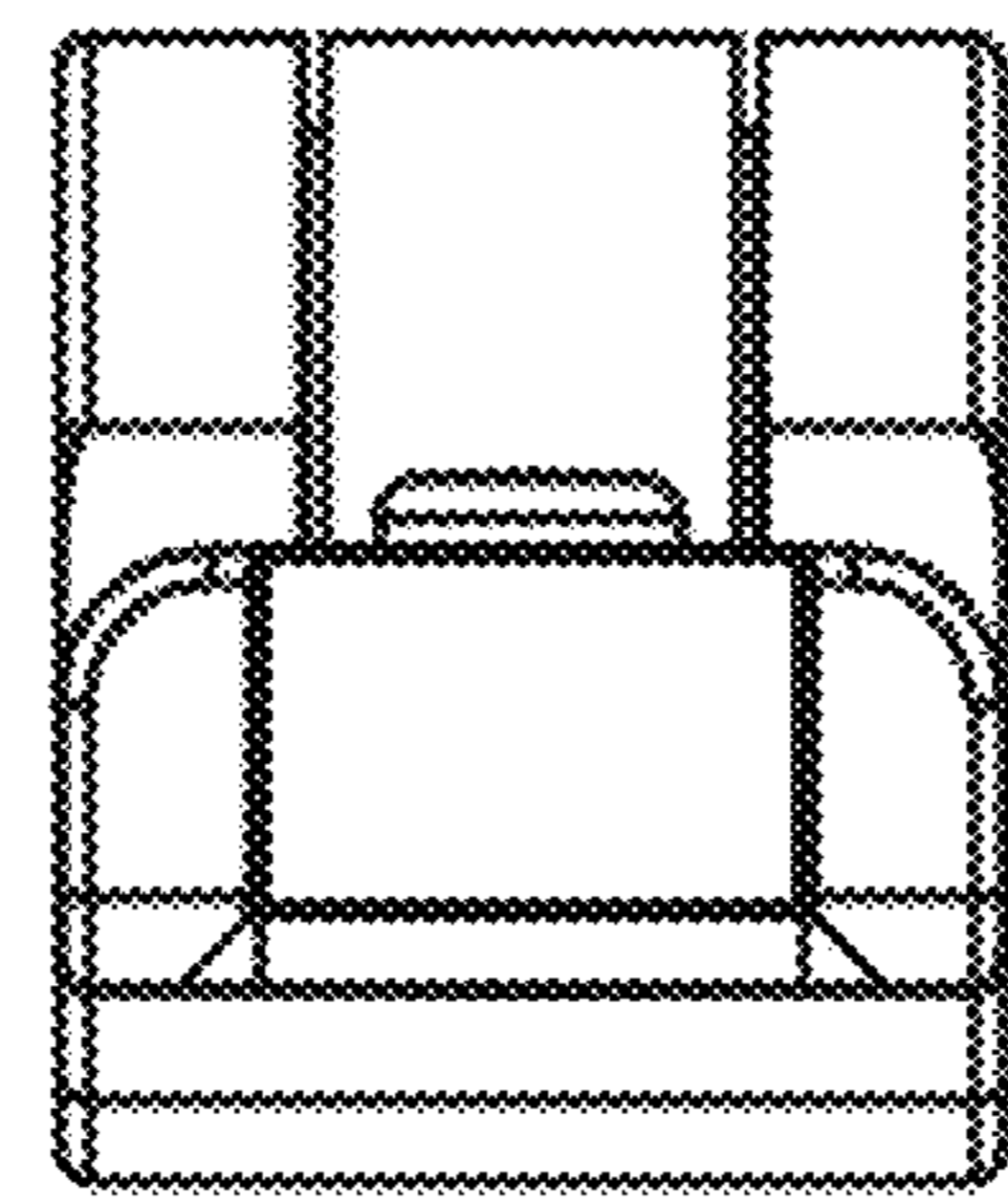


Fig. 18

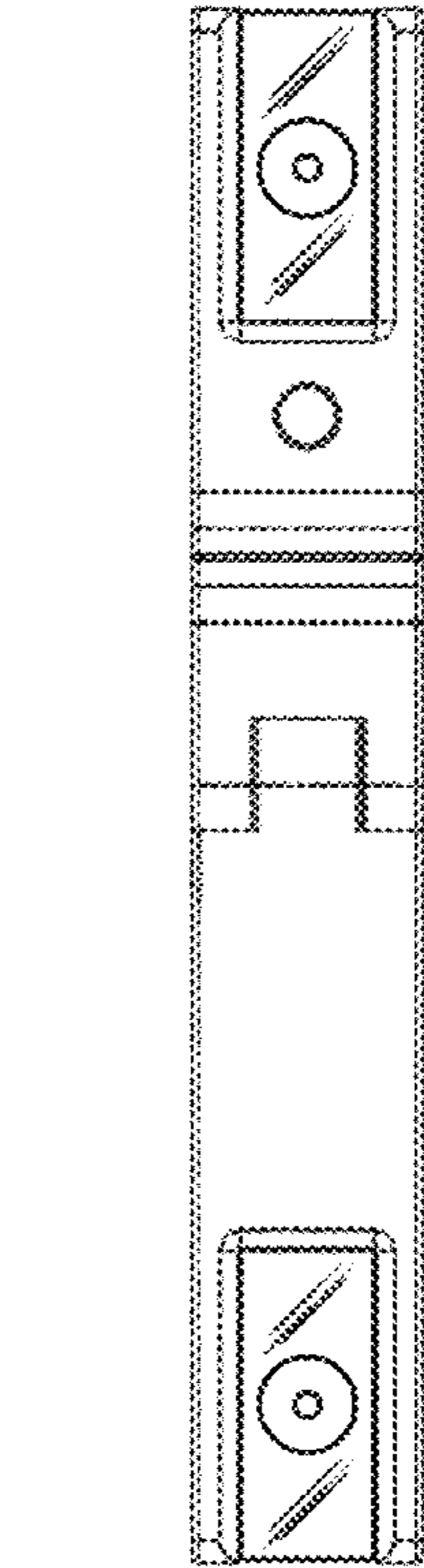


Fig. 19

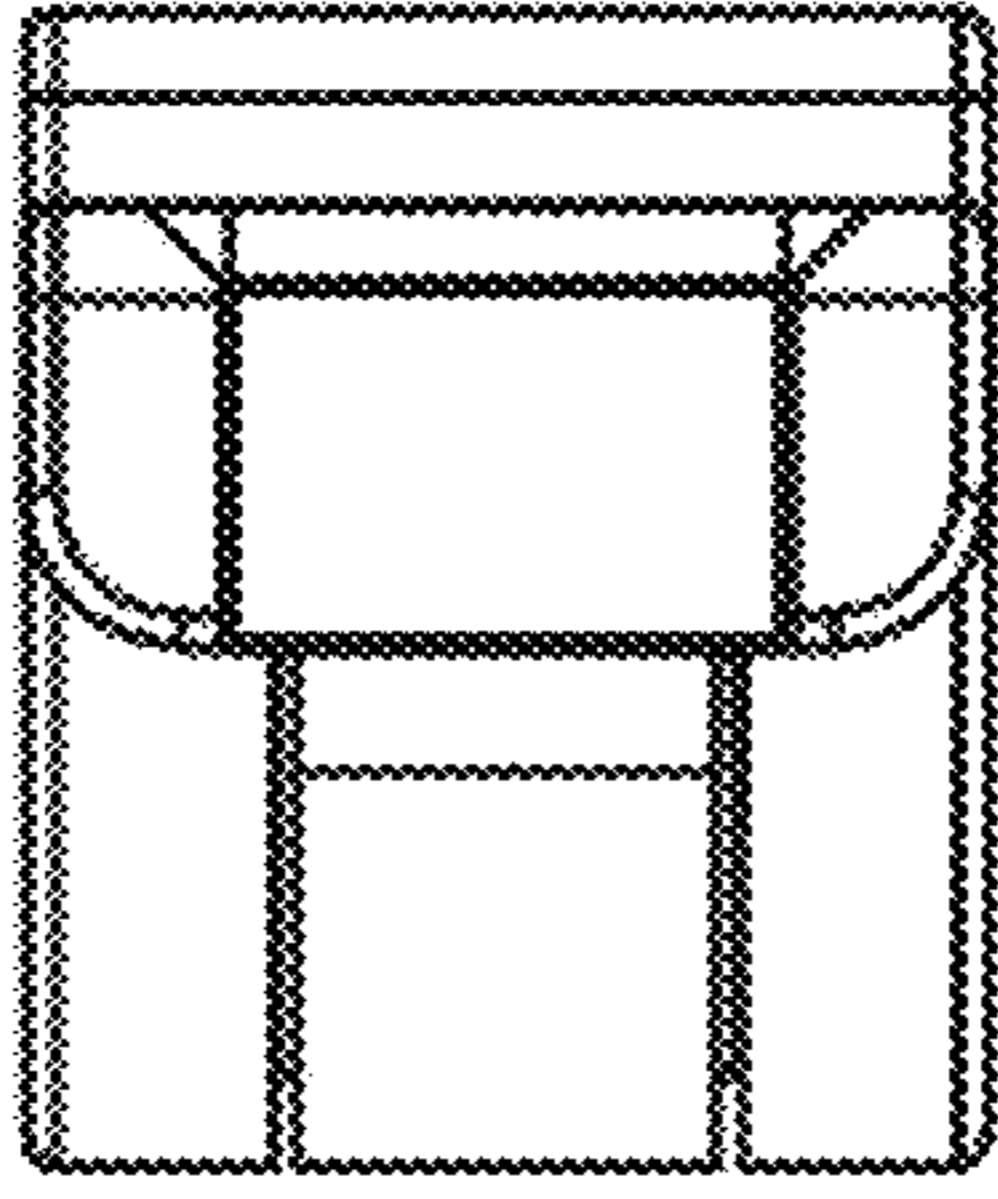


Fig. 20

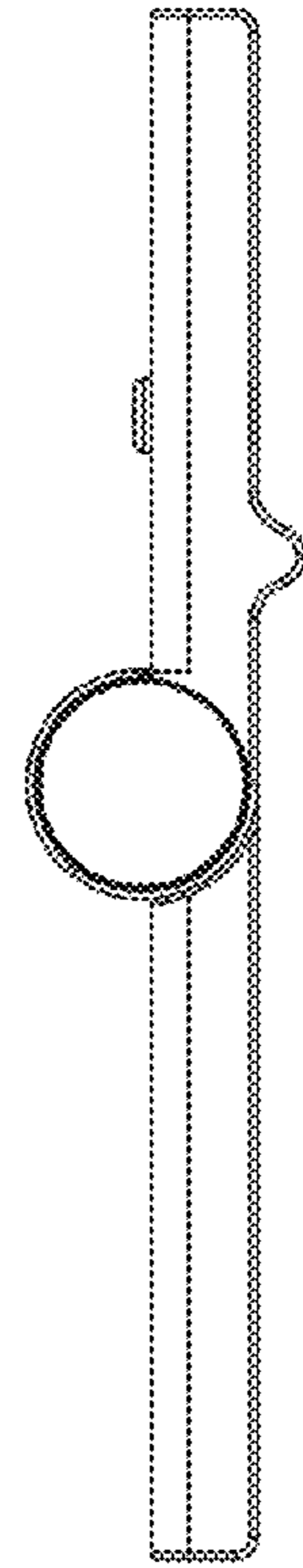


Fig. 21