



US00D731670S

(12) **United States Design Patent**  
**Kwak et al.**

(10) **Patent No.:** **US D731,670 S**  
(45) **Date of Patent:** **\*\* Jun. 9, 2015**

(54) **PIPETTE**

(56)

**References Cited**

(71) Applicant: **ACCESS BIO, INC.**, Somerset, NJ (US)

U.S. PATENT DOCUMENTS

(72) Inventors: **Joon Hyeok Kwak**, Belle Mead, NJ (US); **Tae-Hee Koo**, North Brunswick, NJ (US); **Hyeonsuk Kim**, Dayton, NJ (US); **Young Ho Choi**, Belle Mead, NJ (US)

2,540,360	A	*	2/1951	Ulvild .....	73/864.15
D216,169	S	*	11/1969	Vailancourt .....	D24/114
D250,599	S	*	12/1978	St. Amand .....	D24/222
4,212,204	A	*	7/1980	St. Amand .....	73/864.11
D257,791	S	*	1/1981	Parker .....	D24/222
D268,131	S	*	3/1983	St. Amand .....	D24/222
D299,956	S	*	2/1989	Saint-Amand .....	D24/222
D333,705	S	*	3/1993	Garren et al. ....	D24/222
D339,868	S	*	9/1993	Garren et al. ....	D24/222
D357,324	S	*	4/1995	Bartal .....	D24/222
D362,387	S	*	9/1995	Shumer .....	D24/115
D373,827	S	*	9/1996	Polaniec .....	D24/222
D565,192	S	*	3/2008	Tajima .....	D24/222
D686,336	S	*	7/2013	Horian .....	D24/222

(73) Assignee: **ACCESS BIO, INC.**, Somerset, NJ (US)

(\*\*) Term: **14 Years**

(21) Appl. No.: **29/468,179**

(22) Filed: **Sep. 26, 2013**

\* cited by examiner

*Primary Examiner* — Anhdao Doan

(74) *Attorney, Agent, or Firm* — Lucas & Mercanti, LLP

**Related U.S. Application Data**

(62) Division of application No. 29/440,920, filed on Dec. 28, 2012, now Pat. No. Des. 694,424.

(51) **LOC (10) Cl.** ..... **24-02**

(52) **U.S. Cl.**  
USPC ..... **D24/222**

(58) **Field of Classification Search**  
USPC ..... D24/216, 222–226, 231, 232, 186, 169,  
D24/108, 112–115, 117, 121, 127, 130;  
D10/81; 422/521, 501–503; 73/863.32,  
73/864.01, 864.16, 864.17, 864.14,  
73/864.21; 436/180; D9/690, 724

See application file for complete search history.

(57) **CLAIM**

The ornamental design for pipette, as shown and described.

**DESCRIPTION**

FIG. 1 is a front perspective view of a pipette showing our new design;

FIG. 2 is a top view thereof;

FIG. 3 is a bottom view thereof;

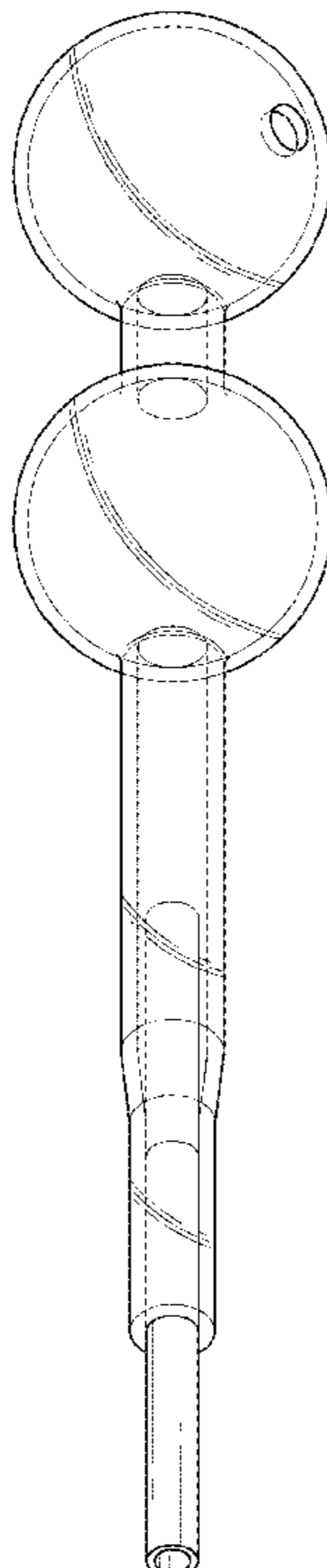
FIG. 4 is a front view thereof;

FIG. 5 is a rear view thereof;

FIG. 6 is a side view thereof; and,

FIG. 7 is a side view thereof.

**1 Claim, 3 Drawing Sheets**



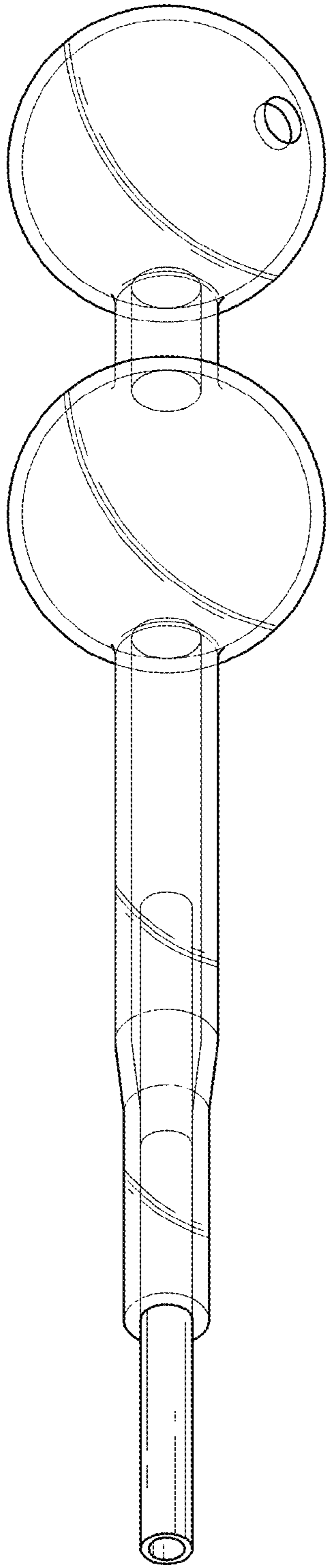


FIG. 1

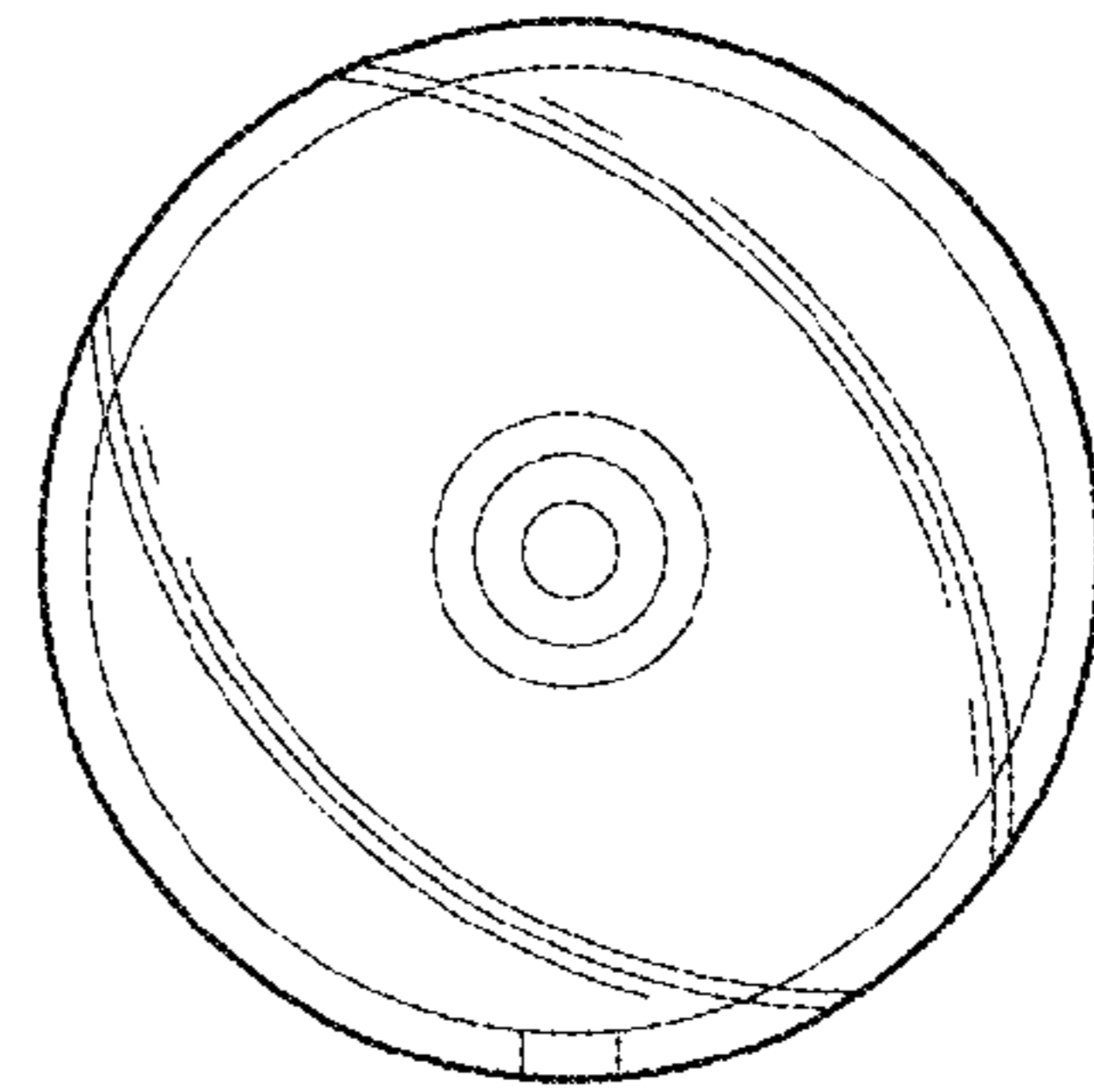


FIG. 2

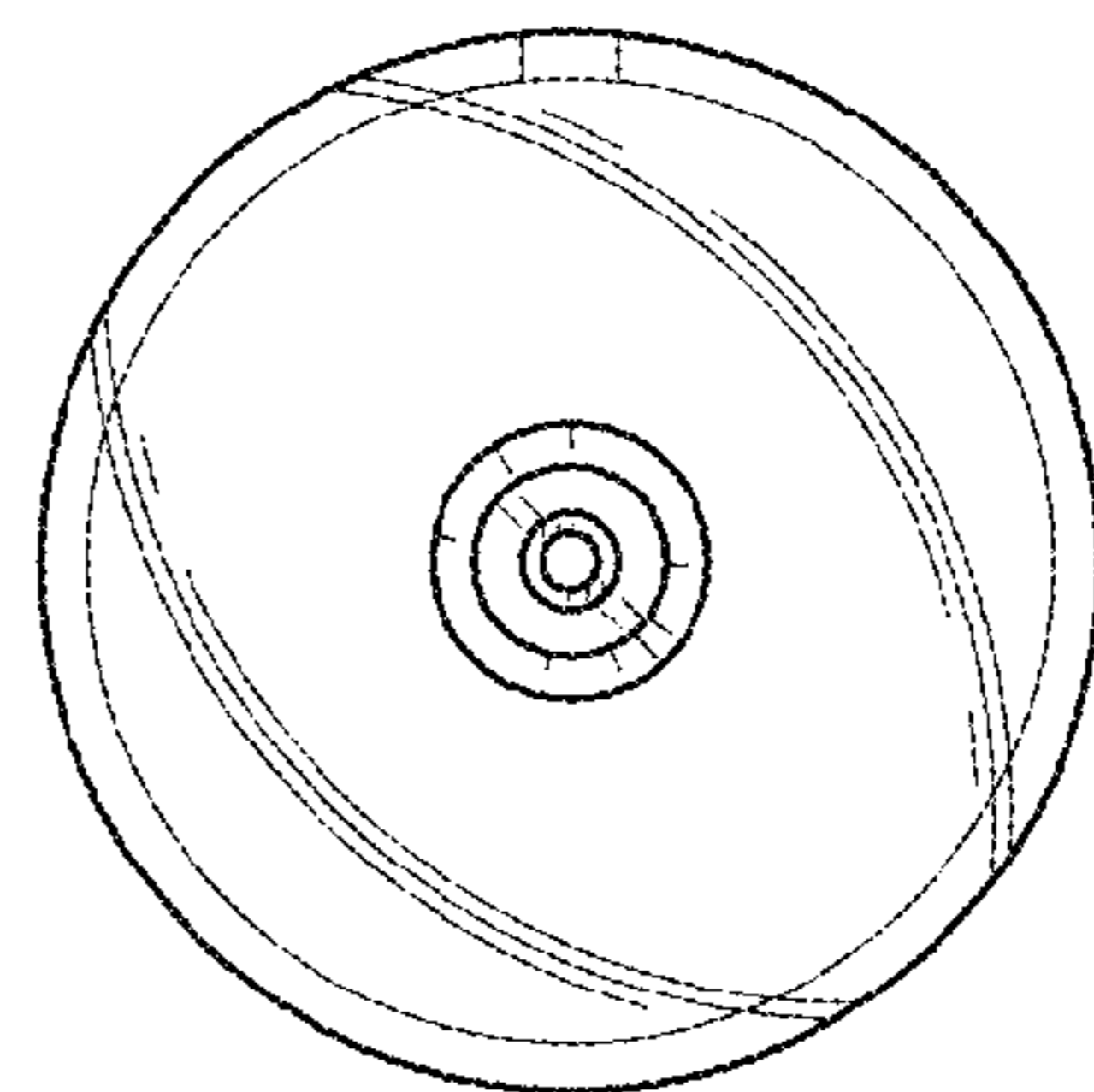


FIG. 3

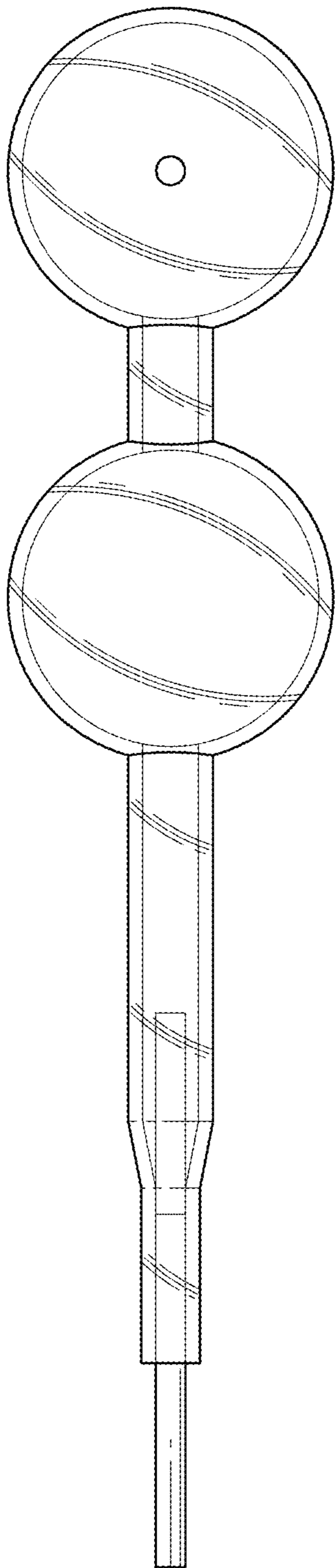


FIG. 4

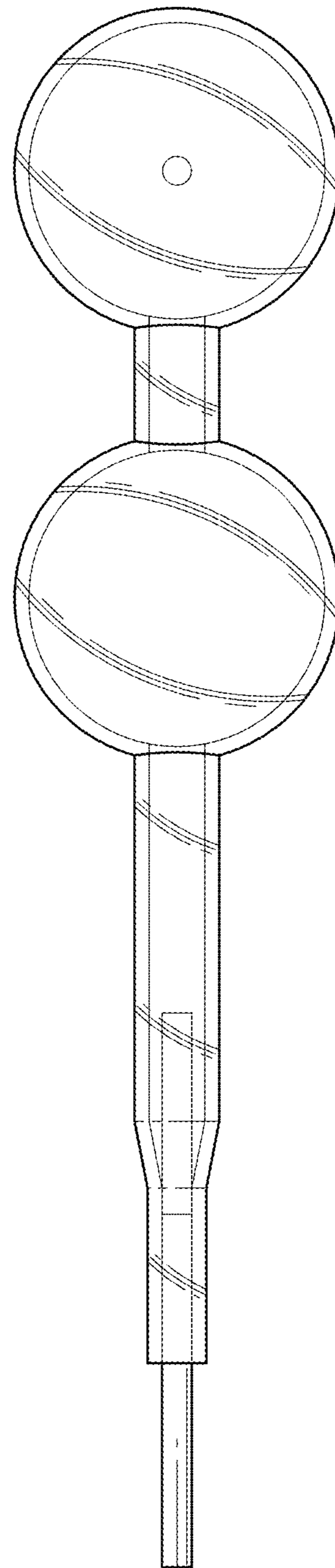


FIG. 5

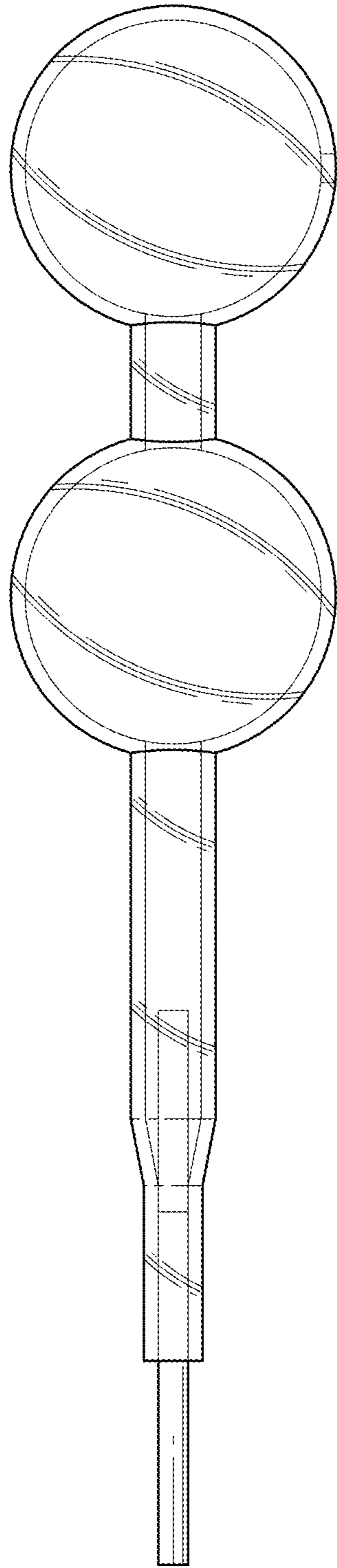


FIG. 6

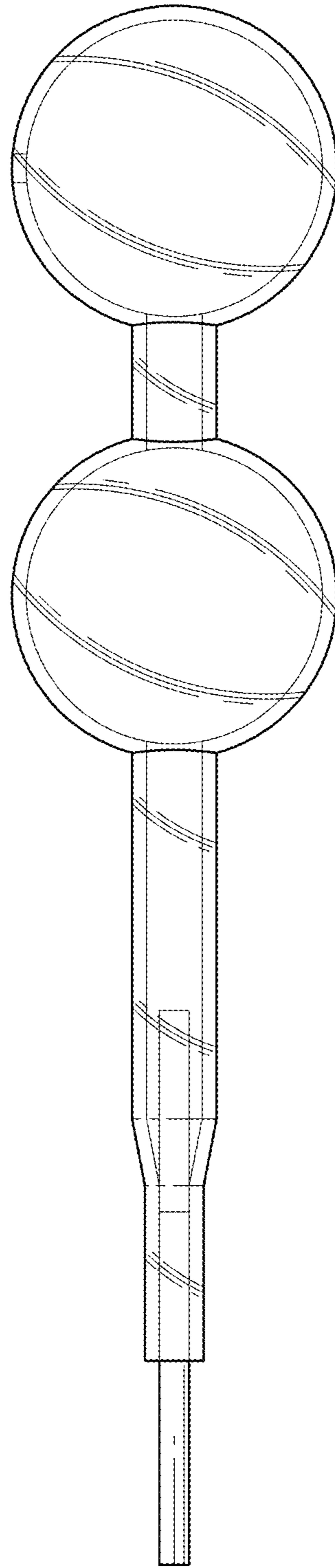


FIG. 7