



US00D731666S

(12) **United States Design Patent**  
**Chandler**

(10) **Patent No.:** **US D731,666 S**  
(45) **Date of Patent:** **\*\* Jun. 9, 2015**

(54) **CONTOURED ELECTRICAL FOOT HEATING PAD**

(76) Inventor: **Harolyn E. Chandler**, Fontana, CA  
(US)

(\*\*) Term: **14 Years**

(21) Appl. No.: **29/420,914**

(22) Filed: **May 15, 2012**

(51) **LOC (10) Cl.** ..... **24-04**

(52) **U.S. Cl.**  
USPC ..... **D24/206**

(58) **Field of Classification Search**  
USPC ..... D24/188, 192, 200, 206, 207, 231;  
D6/382, 595, 596, 601, 603; 5/630,  
5/636, 648, 652-655.9; 219/200, 212,  
219/527, 528, 529, 549; D13/145, 168  
CPC ..... H05B 3/0004; H05B 3/0085; H05B 3/34;  
H05B 3/342; H05B 2203/002; H05B  
2203/003; B68G 1/00; B68G 2001/005  
See application file for complete search history.

(56) **References Cited**

U.S. PATENT DOCUMENTS

3,739,142 A \* 6/1973 Johns ..... 219/212  
D246,626 S \* 12/1977 Shenk ..... D6/601  
4,659,905 A 4/1987 Gabrosek et al.  
D312,372 S \* 11/1990 Rutherford ..... D6/601

D318,120 S \* 7/1991 Doyle ..... D24/206  
5,175,899 A 1/1993 Lou  
5,451,747 A \* 9/1995 Sullivan et al. .... 219/528  
5,956,768 A 9/1999 Pearson  
6,727,469 B1 4/2004 Parker et al.  
7,288,110 B1 10/2007 Levine  
7,540,847 B2 \* 6/2009 Klein et al. .... 601/46  
D628,425 S 12/2010 Inui et al.  
2009/1005495 2/2009 Felker

\* cited by examiner

*Primary Examiner* — Derrick Holland

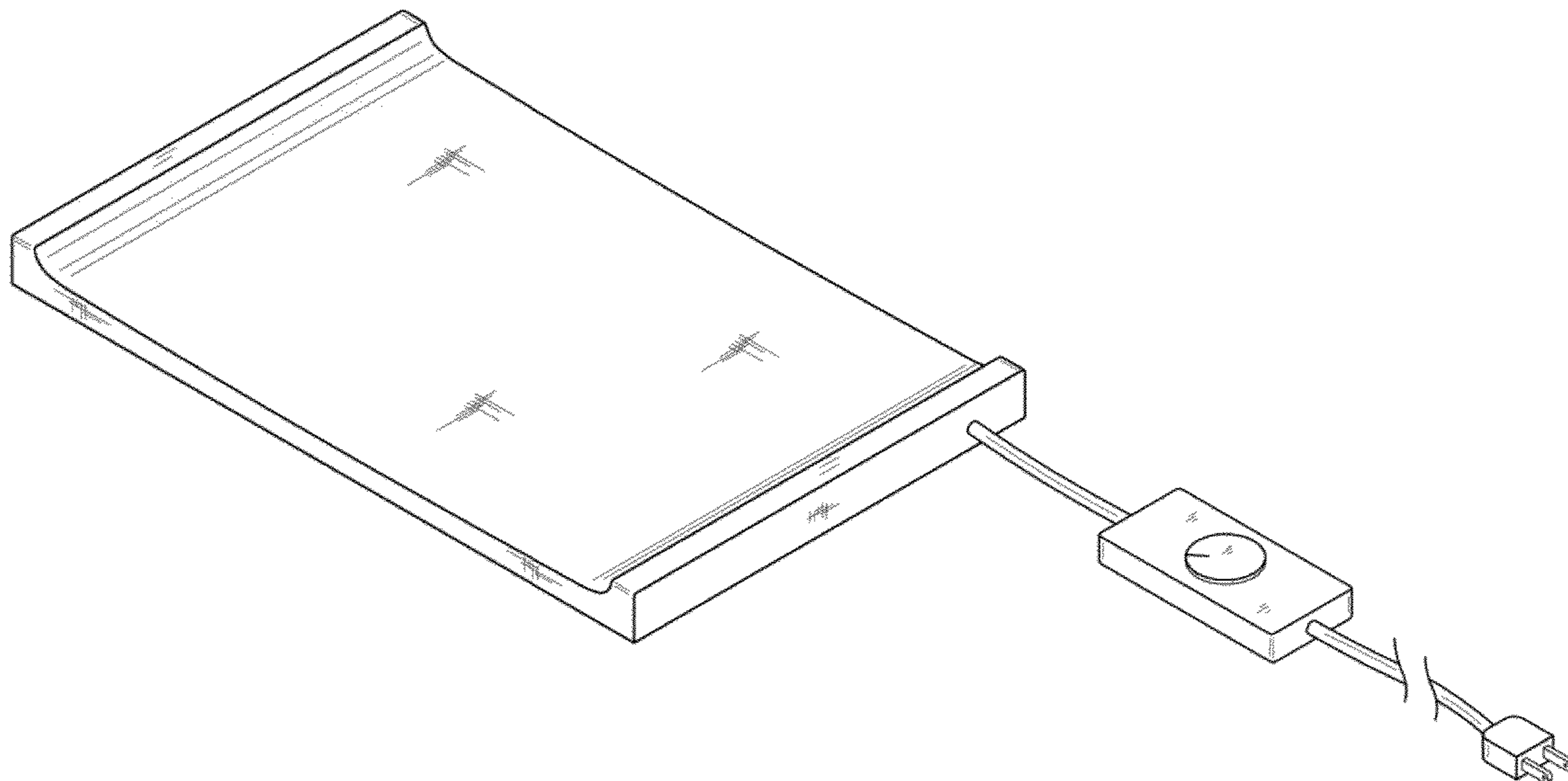
(57) **CLAIM**

The ornamental design for a contoured electrical foot heating pad, as shown and described.

**DESCRIPTION**

FIG. 1 is a top plan view of a contoured electrical foot heating pad showing my new design;  
FIG. 2 is a bottom plan view thereof;  
FIG. 3 is a rear view thereof;  
FIG. 4 is a left side view thereof;  
FIG. 5 is a right side view thereof; and,  
FIG. 6 is an isometric view thereof.  
Portions of the contoured electrical foot heating pad have been shown broken to indicate indeterminate length. The indeterminate portion of the article forms no part of the claimed design. Patentability is based only on those portions of the contoured electrical foot heating pad that are shown in solid lines.

**1 Claim, 4 Drawing Sheets**



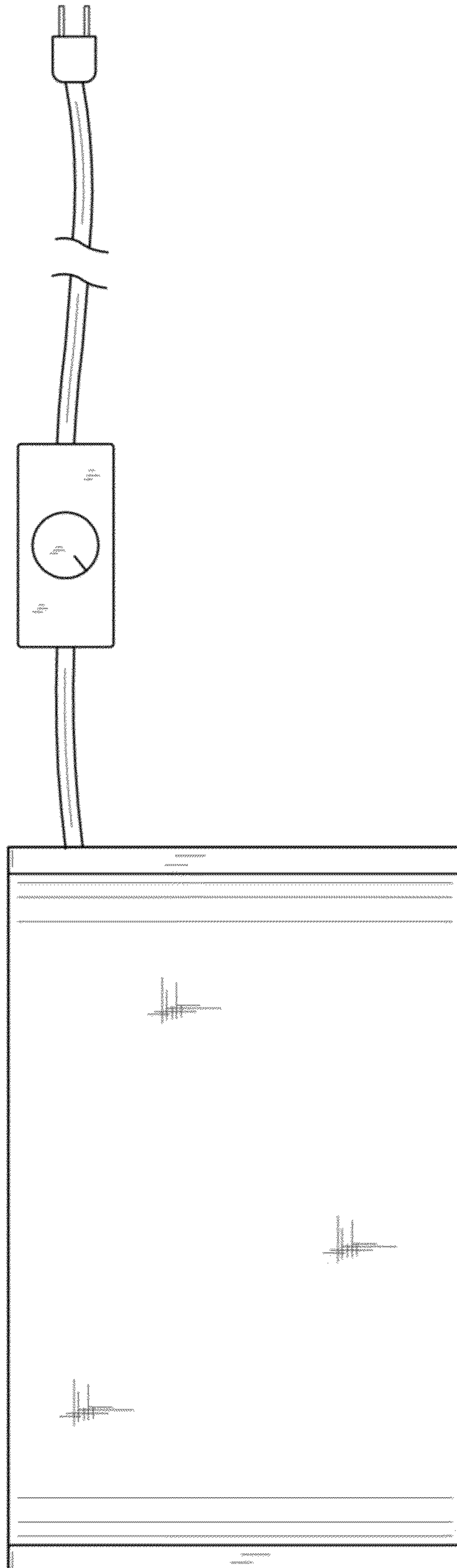


FIG. 1

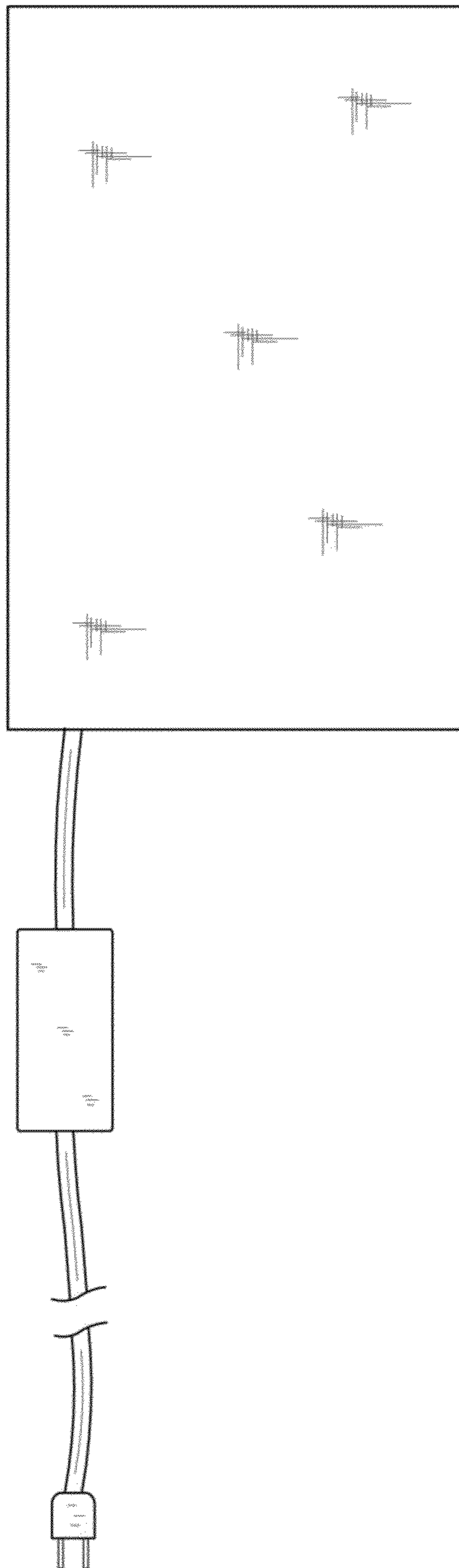


FIG. 2

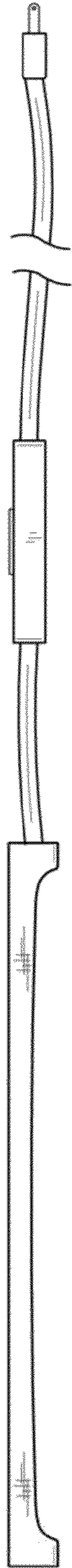


FIG. 3

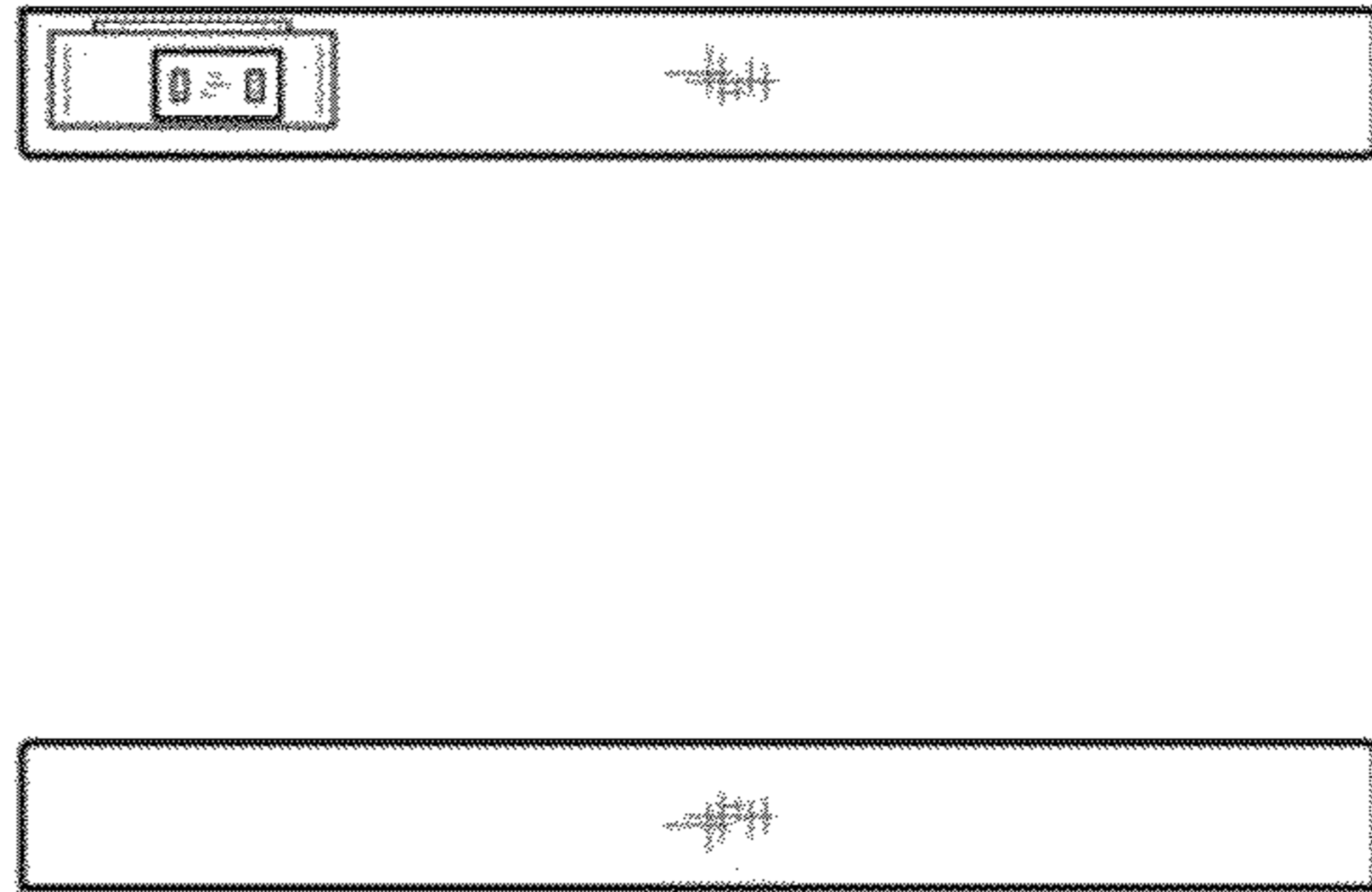


FIG. 4

FIG. 5

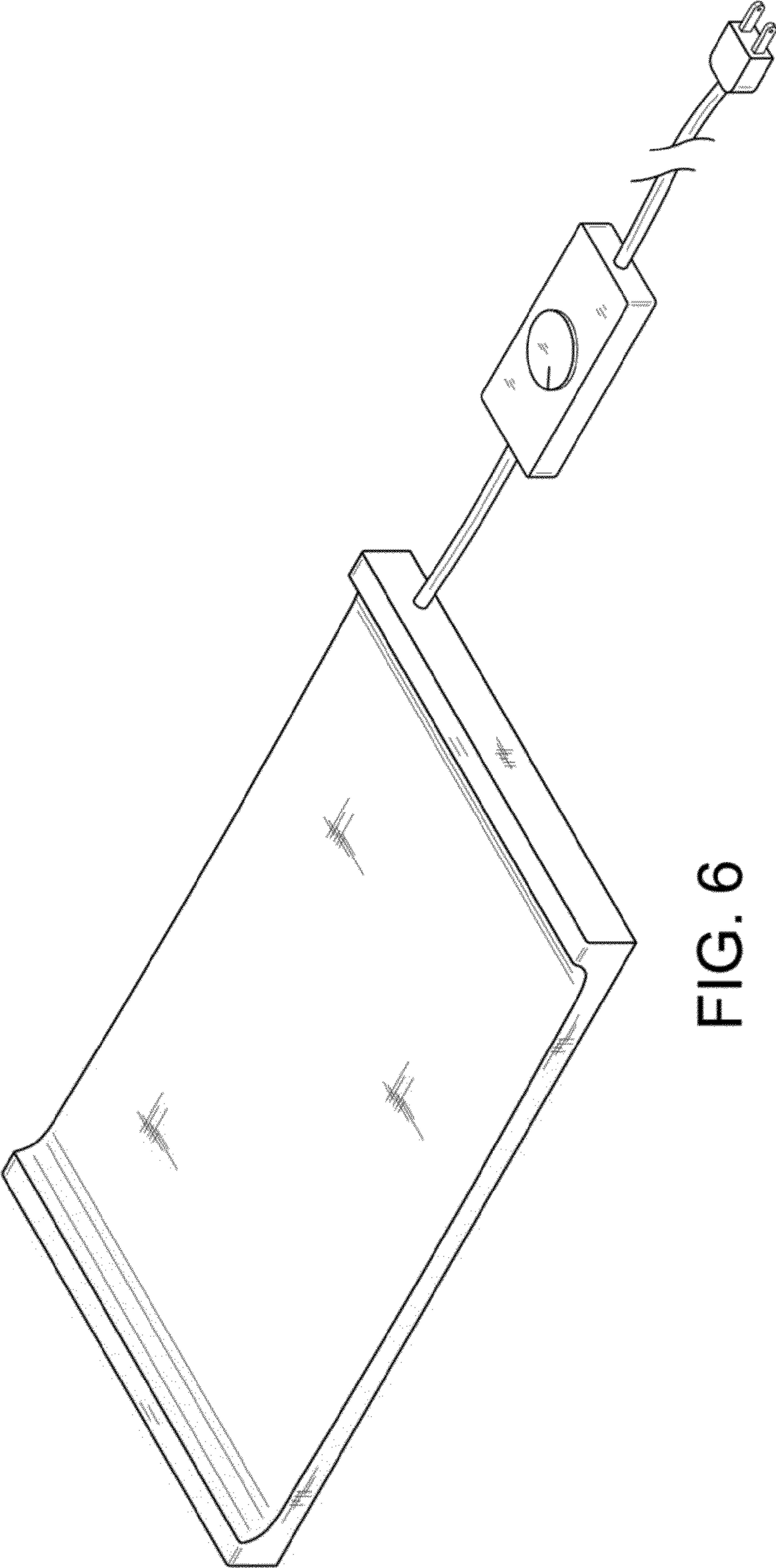


FIG. 6