



US00D731664S

(12) **United States Design Patent**
Lee

(10) **Patent No.:** **US D731,664 S**
(45) **Date of Patent:** **** Jun. 9, 2015**

(54) **KNEE SAUNA**
(71) Applicant: **Seung Woo Lee**, Yorba Linda, CA (US)
(72) Inventor: **Seung Woo Lee**, Yorba Linda, CA (US)

7,784,118 B2 * 8/2010 Lee 4/531
7,784,120 B2 * 8/2010 Spicer 4/592
8,171,577 B1 * 5/2012 Gutt 4/578.1
D663,855 S * 7/2012 Zack et al. D24/203
8,214,937 B2 * 7/2012 Lawyer et al. 4/541.1
D676,974 S * 2/2013 Zack et al. D24/203

(**) Term: **14 Years**

* cited by examiner

(21) Appl. No.: **29/483,934**

Primary Examiner — David Muller

(22) Filed: **Mar. 4, 2014**

(74) *Attorney, Agent, or Firm* — John K. Park; Park Law Firm

(51) **LOC (10) Cl.** **23-02**

(57) **CLAIM**

(52) **U.S. Cl.**
USPC **D24/203**

The ornamental design for a knee sauna, as shown and described.

(58) **Field of Classification Search**
USPC D24/201–205; 4/524, 526, 528, 531,
4/532
See application file for complete search history.

DESCRIPTION

(56) **References Cited**

FIG. 1 is a perspective view of a knee sauna showing my new design;
FIG. 2 is a front view thereof;
FIG. 3 is a rear view thereof;
FIG. 4 is a left side view thereof;
FIG. 5 is a right side view thereof;
FIG. 6 is a top plan view thereof; and,
FIG. 7 is a bottom plan view thereof.
The features shown in broken lines depict environmental structure only and form no part of the claimed design.

U.S. PATENT DOCUMENTS

D255,267 S * 6/1980 Sinaiko D24/205
D271,523 S * 11/1983 Richburg D24/204
D310,415 S * 9/1990 D’Innocente et al. D24/205
D341,425 S * 11/1993 Lee D24/203
5,446,929 A * 9/1995 Sills et al. 4/555
7,458,111 B2 * 12/2008 Sappenfield et al. 4/524
D598,078 S * 8/2009 Lutz D23/278

1 Claim, 4 Drawing Sheets

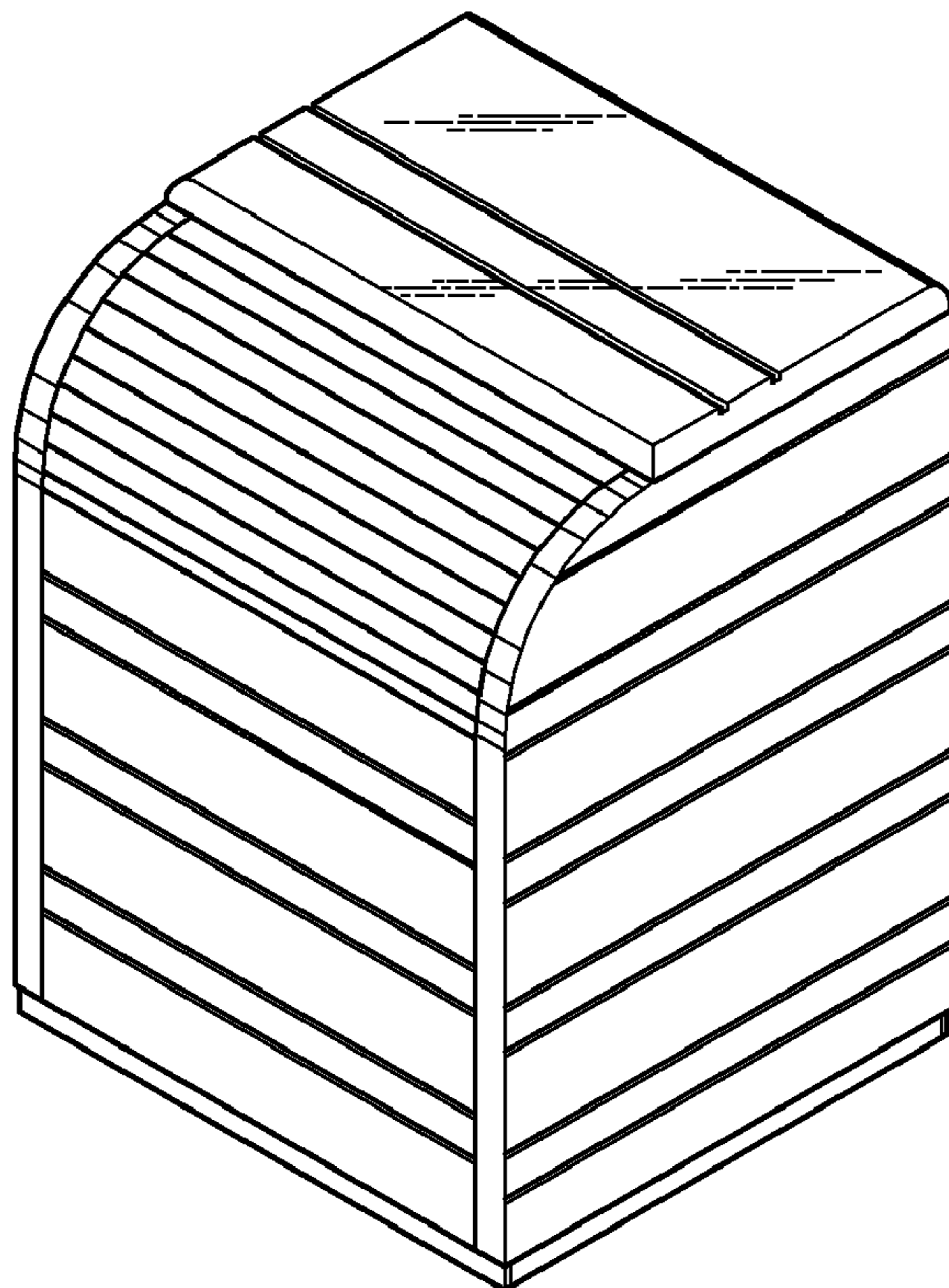


FIG. 1

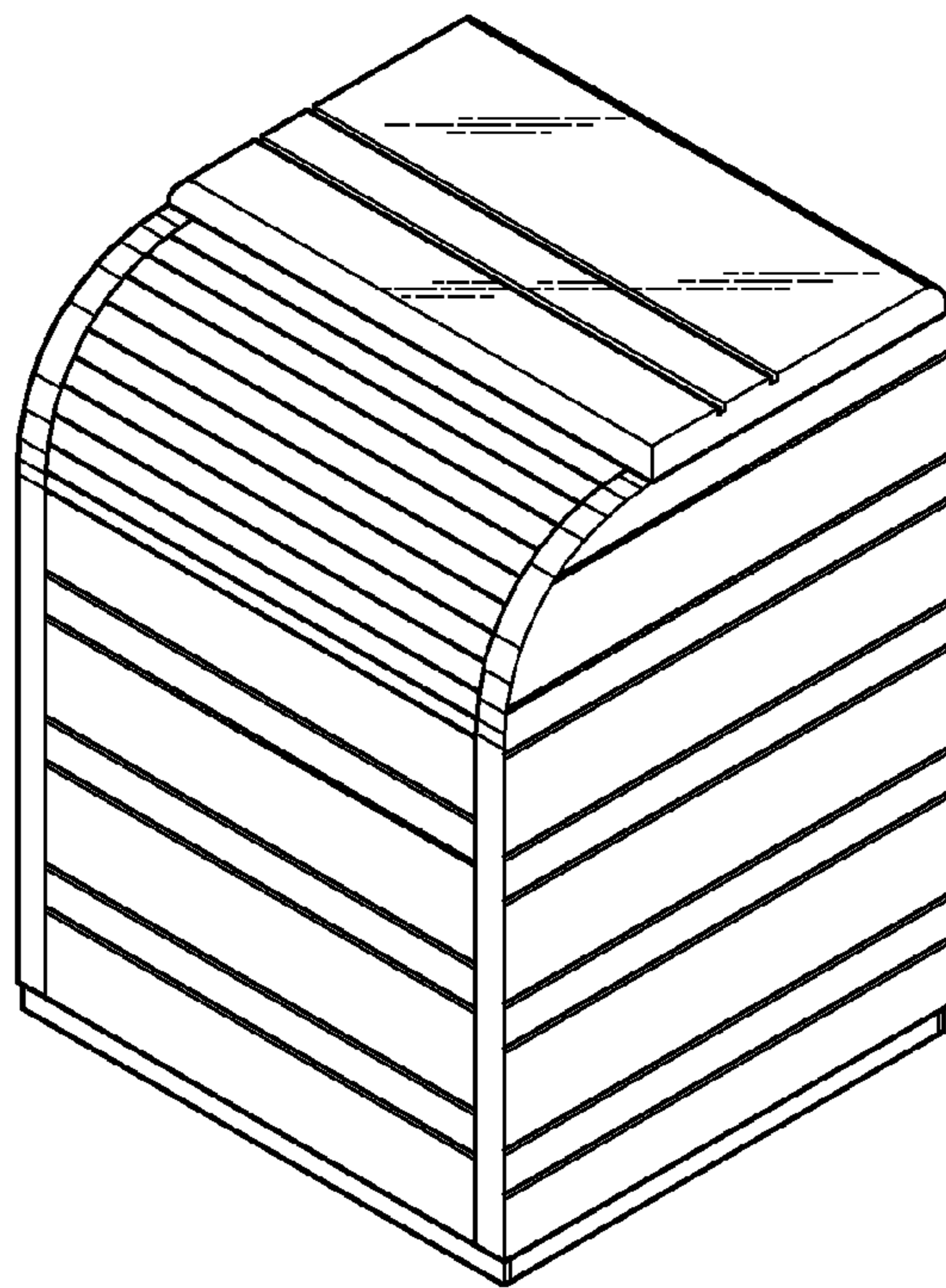


FIG. 2

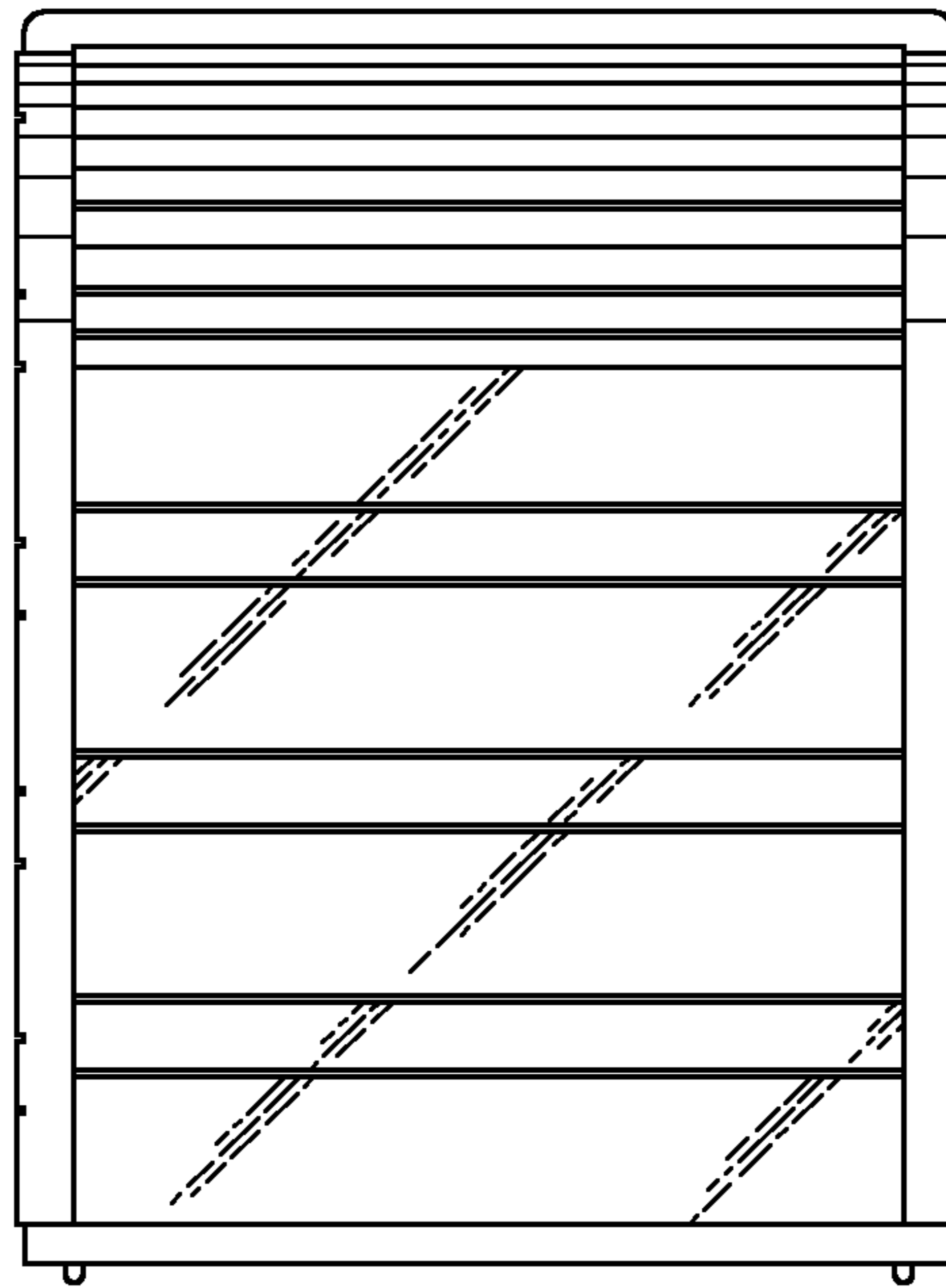


FIG. 3

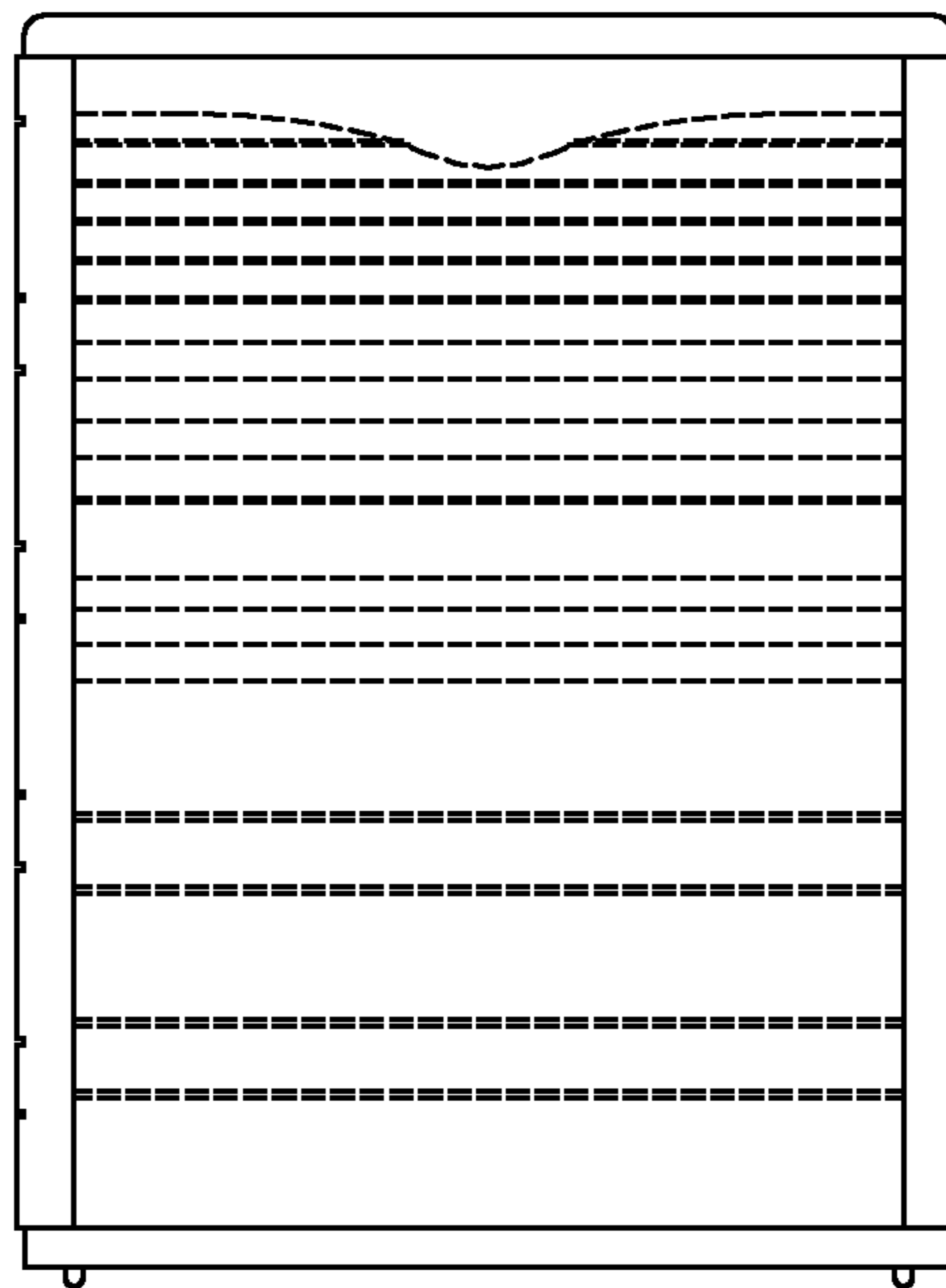


FIG. 4

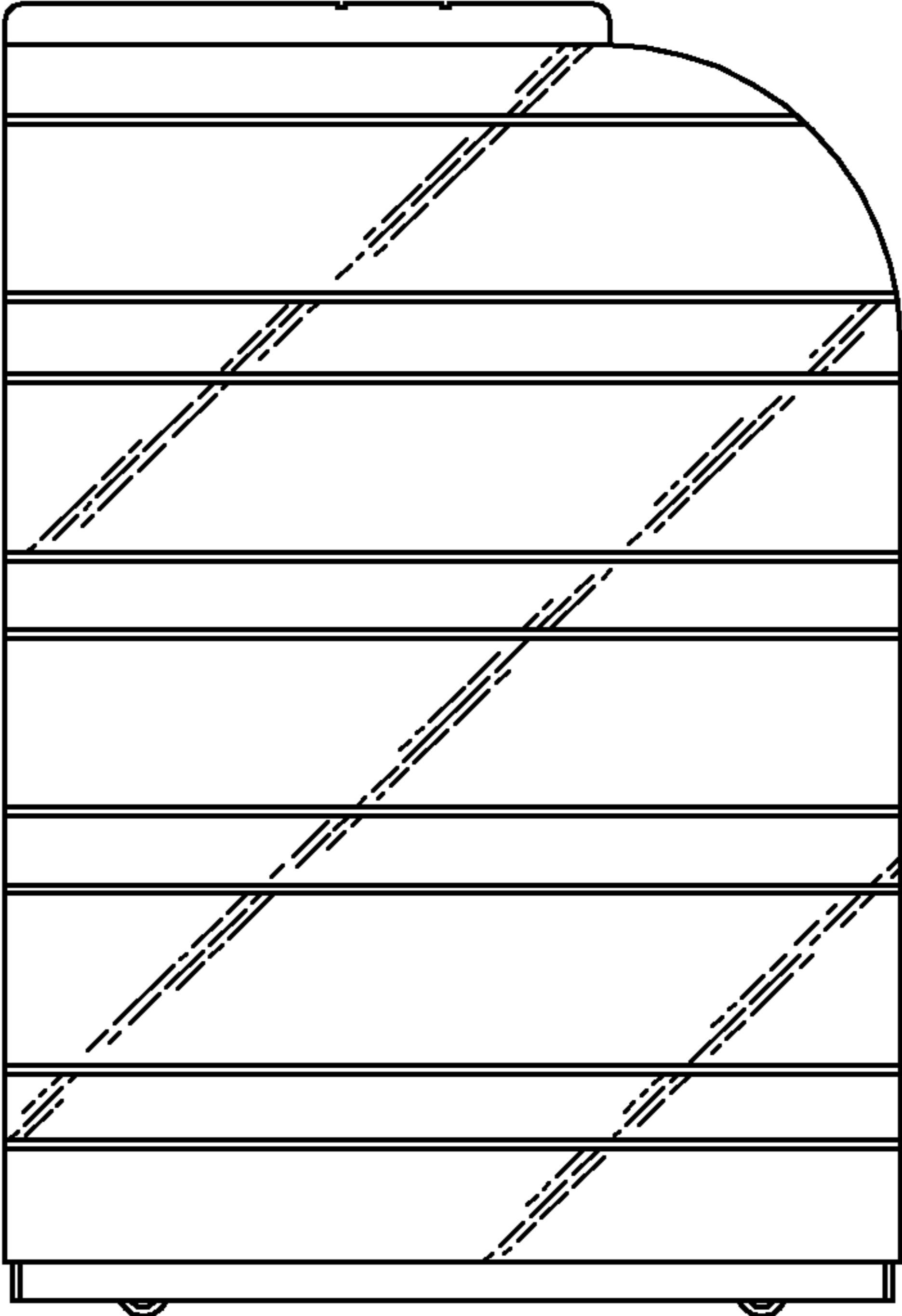


FIG. 5

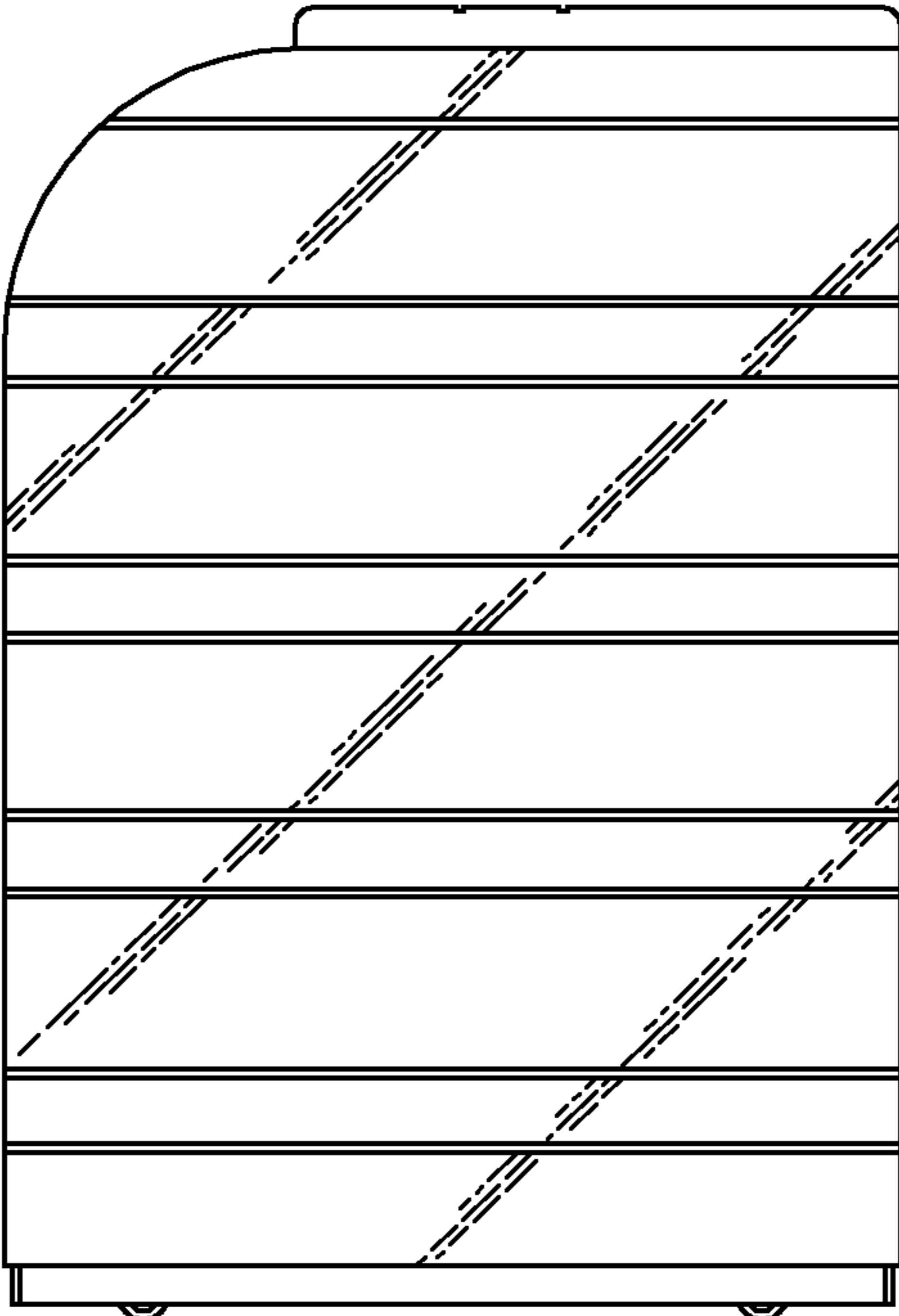


FIG. 6

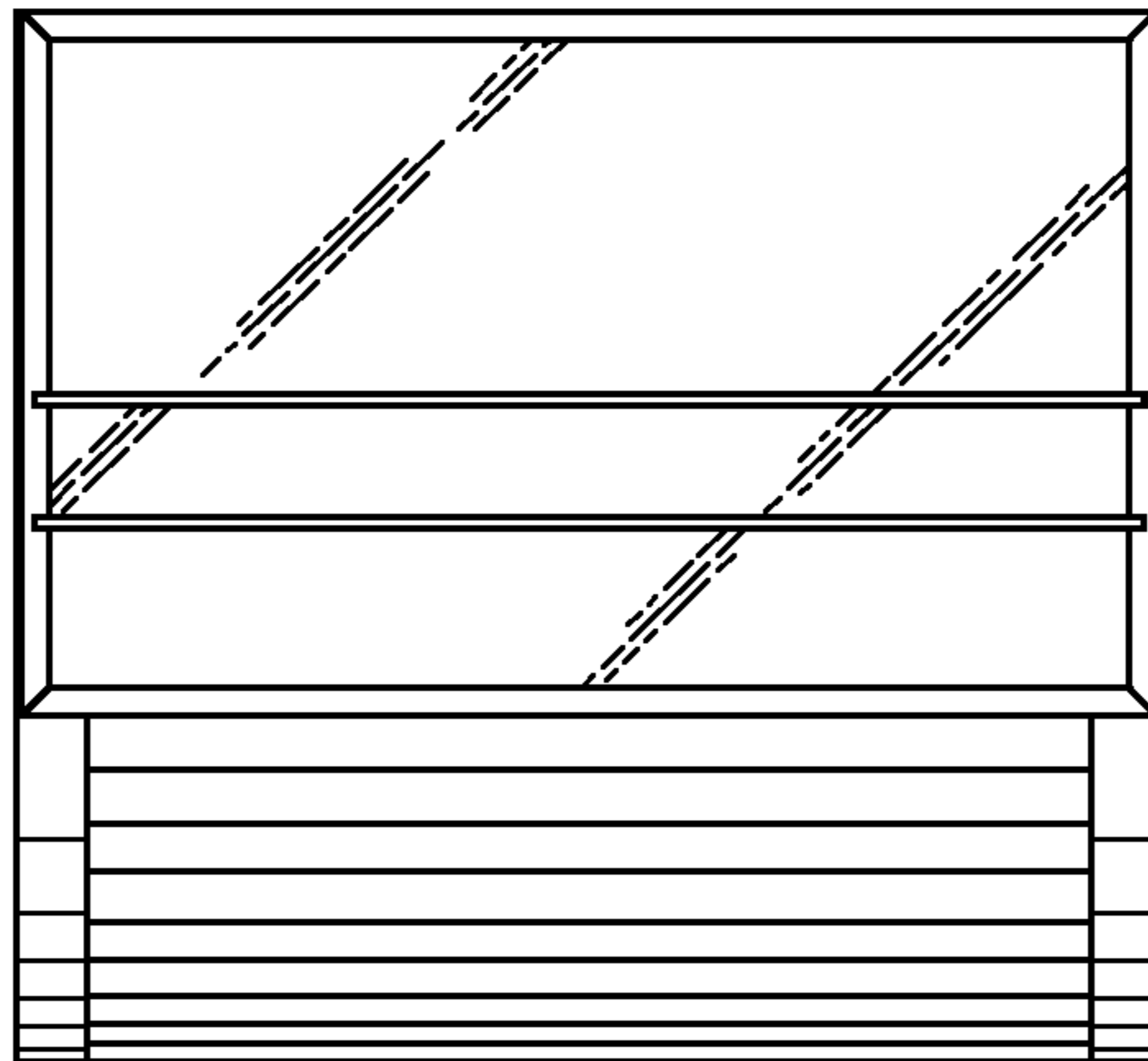


FIG. 7

