



US00D731663S

(12) **United States Design Patent**
Jung et al.

(10) **Patent No.:** **US D731,663 S**
(45) **Date of Patent:** **** Jun. 9, 2015**

(54) **ORTHOSIS**

(71) Applicant: **OTTO BOCK HEALTHCARE GMBH**, Duderstadt (DE)

(72) Inventors: **Marcel Jung**, Duderstadt (DE); **Adam Wehsely-Swiczinsky**, Vienna (AT)

(73) Assignee: **OTTO BOCK HEALTHCARE GMBH**, Duderstadt (DE)

(**) Term: **14 Years**

(21) Appl. No.: **29/484,138**

(22) Filed: **Mar. 6, 2014**

(30) **Foreign Application Priority Data**

Sep. 9, 2013 (WO) 760460101

(51) **LOC (10) Cl.** **24-04**

(52) **U.S. Cl.**
USPC **D24/190**

(58) **Field of Classification Search**
USPC D24/155, 190; 602/16, 21, 23, 26;
623/18.1, 39, 44

CPC A61F 5/0123; A61F 2005/0167; A61F 5/0125; A61F 2002/704; A61F 2005/0139; A61F 2/68; A61F 2002/7635; A61F 2002/701; A61F 2002/705; A61F 2005/0179; A61F 2002/764; A61F 2/72; A61F 2002/7645; A61F 2/64; A61F 2/80; A61M 1/101; A61M 1/1015; A61M 25/02; A61M 1/1031
See application file for complete search history.

(56) **References Cited**

U.S. PATENT DOCUMENTS

D383,542 S * 9/1997 Wellershaus et al. D24/155
D402,368 S * 12/1998 Holzapfel D24/155
D407,490 S 3/1999 Zepf et al.
D499,487 S * 12/2004 Bedard et al. D24/155
D523,959 S * 6/2006 Muehlenberend D24/155

D527,458 S * 8/2006 Harn et al. D24/155
D592,749 S * 5/2009 Muhlenberend D24/155
D655,817 S * 3/2012 Schilling et al. D24/190
D658,770 S 5/2012 Helm et al.
8,251,935 B2 * 8/2012 Bonutti et al. 602/23
8,764,849 B2 * 7/2014 Omarsson et al. 623/44

FOREIGN PATENT DOCUMENTS

EM 001725771-0003 6/2010
EM 001725771-0005 6/2010

OTHER PUBLICATIONS

Fior & Gentz, System Joints and Articulated System Side Bars, Neuro Lock, http://www.fior-gentz.de/index.asp?tree_id=2694&wtree_id=2593&stree_id=2743#, (Apr. 2009).

Fior & Gentz, System Joints and Articulated System Side Bars, Neuro Flex Max, http://www.fior-gentz.de/index.asp?tree_id=2694&wtree_id=2593&stree_id=2746#, (Apr. 2009).

* cited by examiner

Primary Examiner — George D Kirschbaum

Assistant Examiner — Jennifer Watkins

(74) *Attorney, Agent, or Firm* — Holland & Hart

(57) **CLAIM**

The ornamental design for an orthosis, as shown and described.

DESCRIPTION

FIG. 1 is a perspective view of an orthosis according to the present invention;

FIG. 2 is a right side view thereof;

FIG. 3 is a front view thereof;

FIG. 4 is a top view thereof;

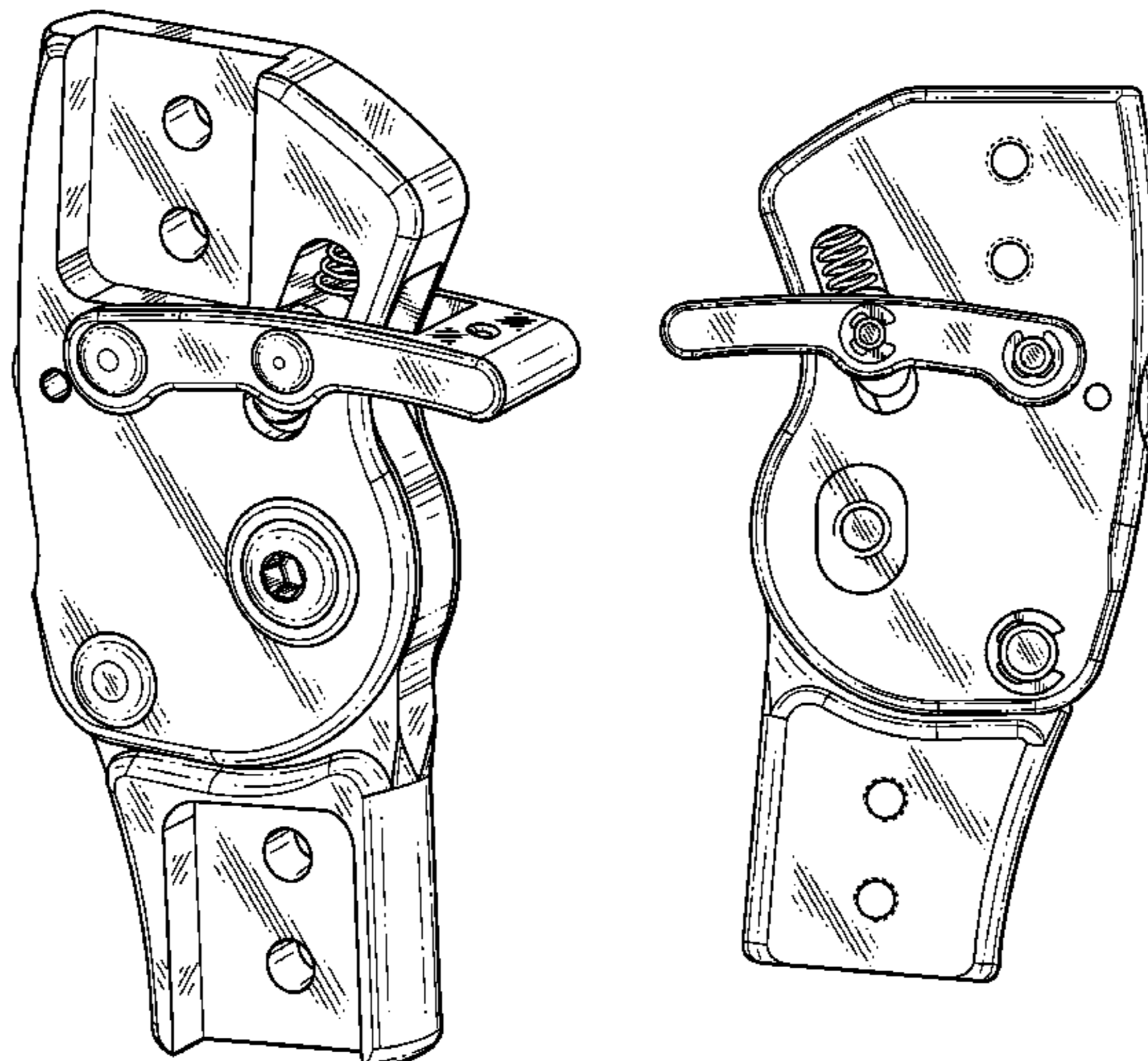
FIG. 5 is a left side view thereof;

FIG. 6 is a rear view thereof; and,

FIG. 7 is a bottom view thereof.

The broken lines in the drawings are for the purpose of illustrating portions of the orthosis that form no part of the claimed design.

1 Claim, 3 Drawing Sheets



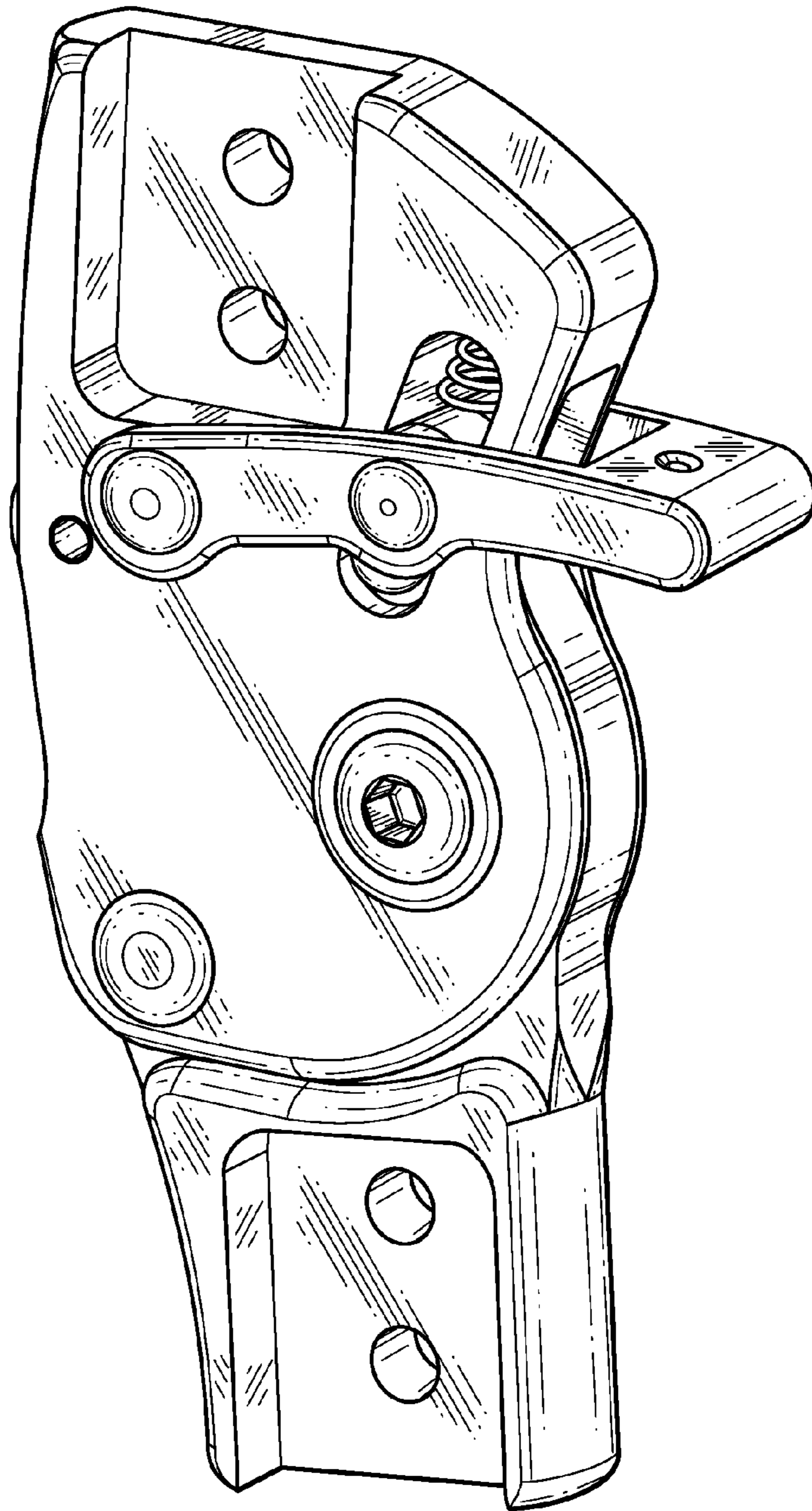


Fig. 1

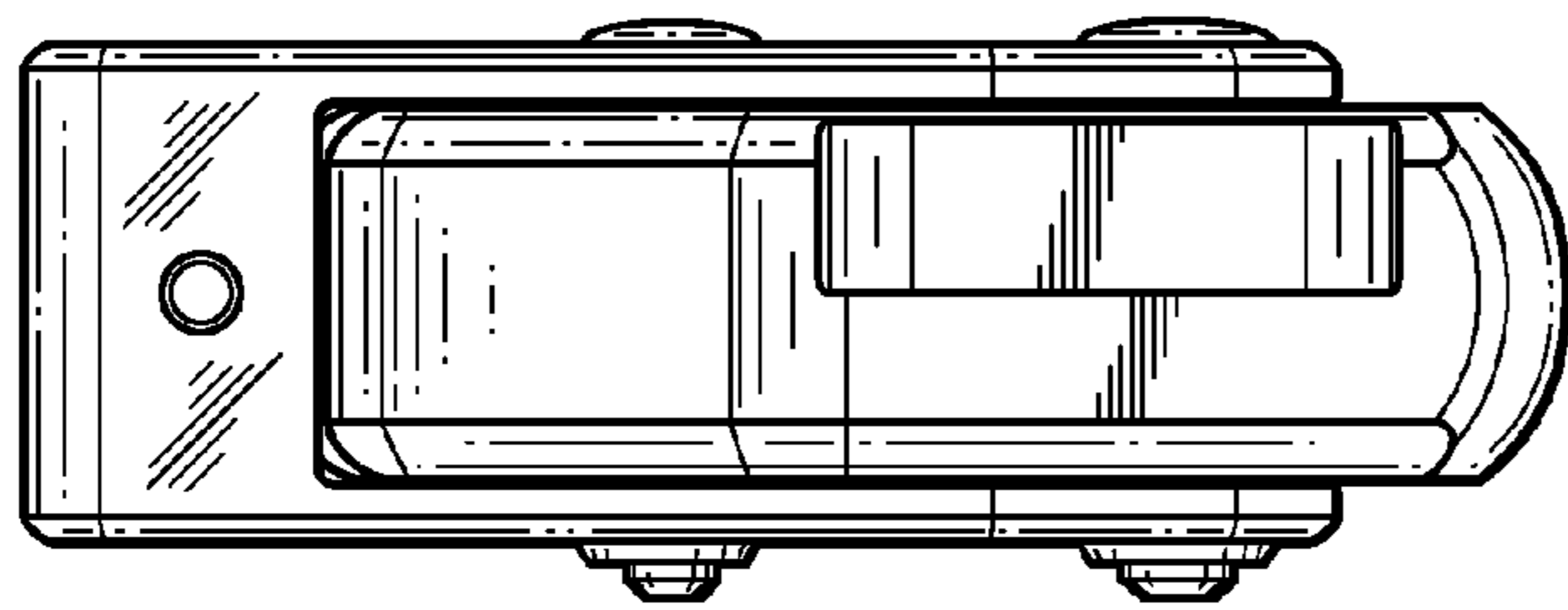


Fig. 4

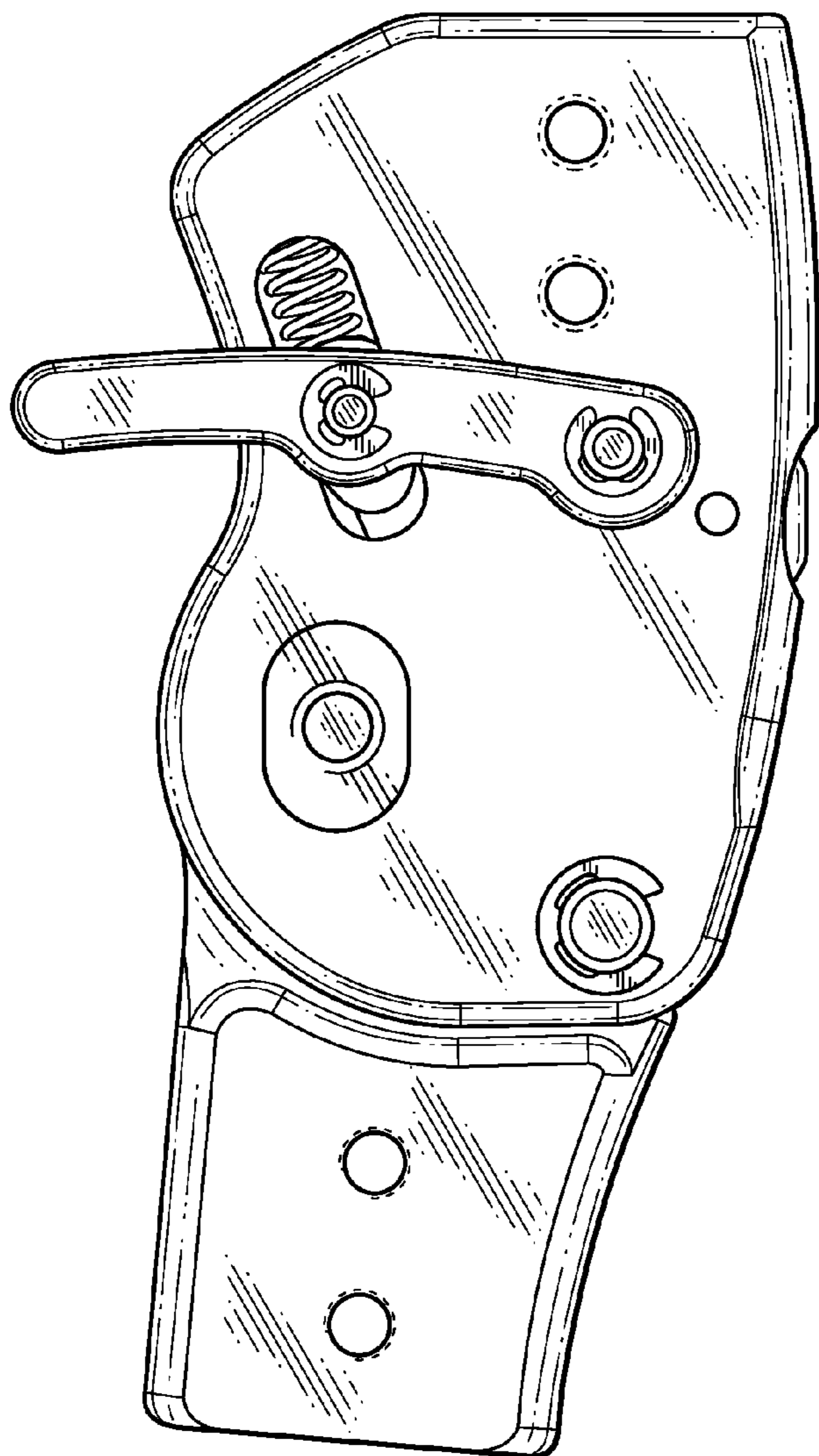


Fig. 2

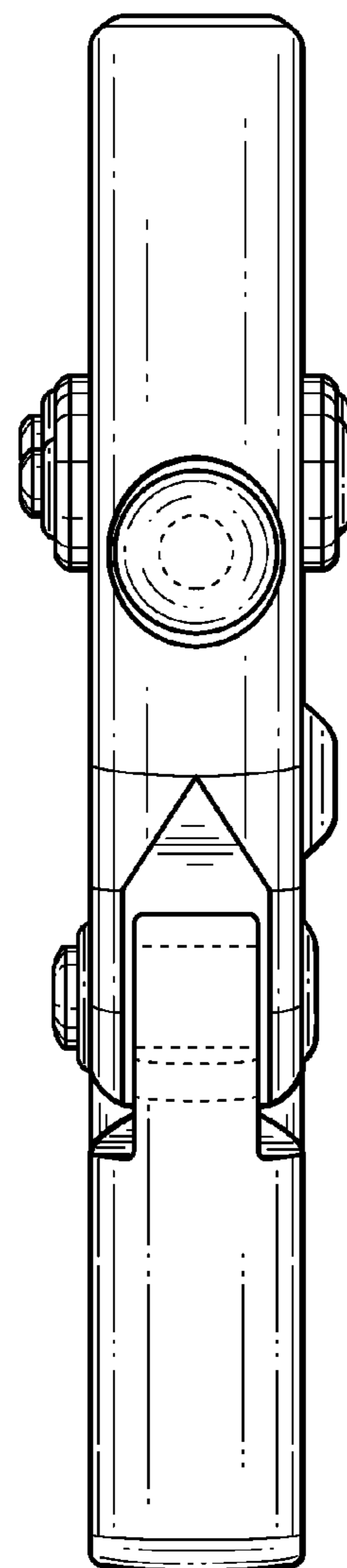


Fig. 3

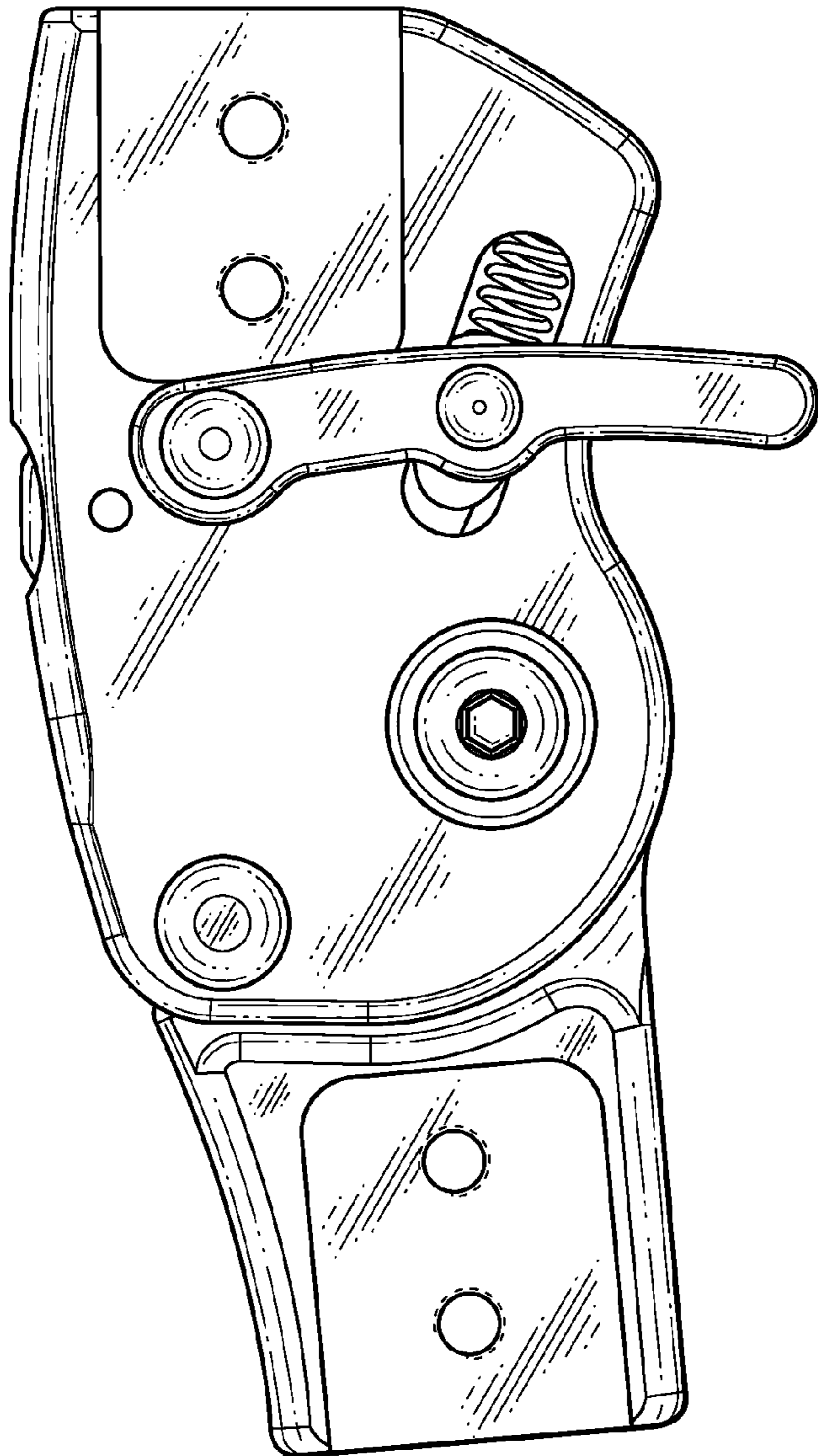


Fig. 5

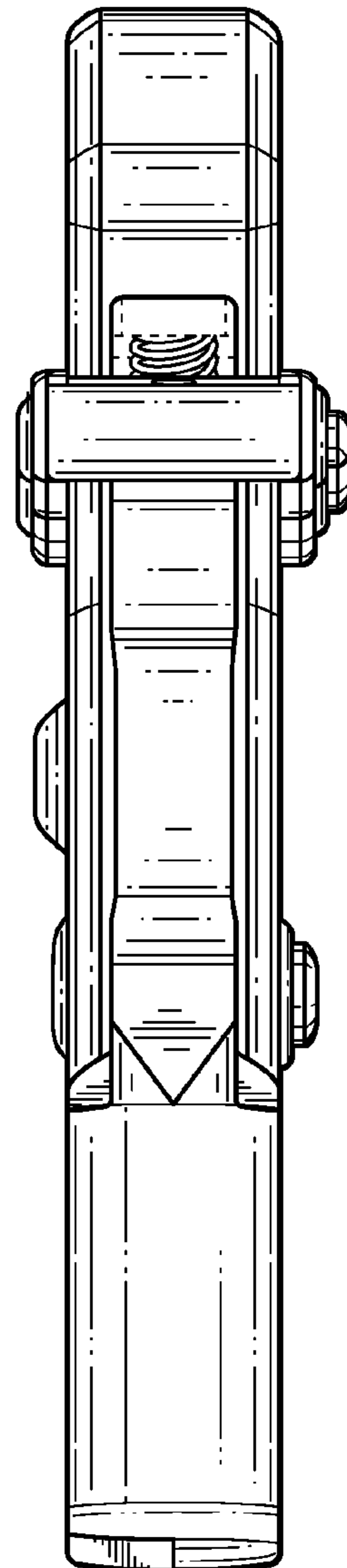


Fig. 6

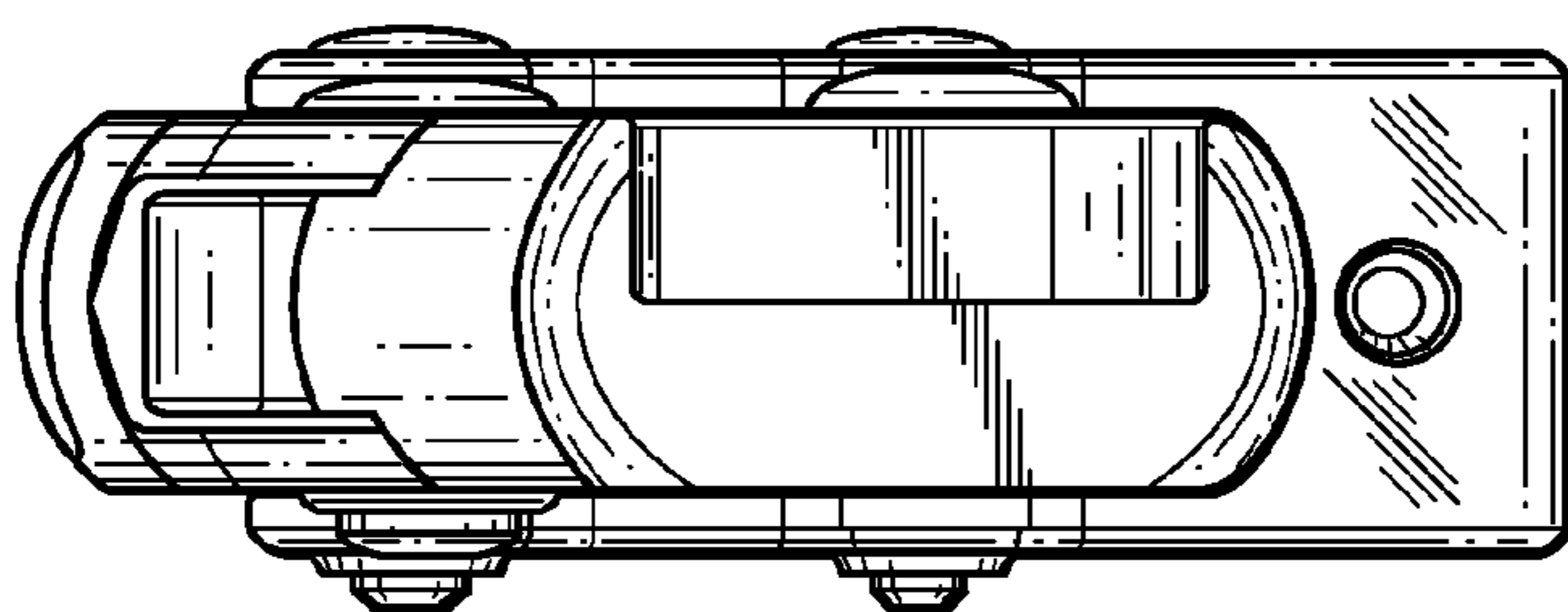


Fig. 7