



US00D731662S

(12) **United States Design Patent**  
**Khan et al.**

(10) **Patent No.:** **US D731,662 S**  
(45) **Date of Patent:** **\*\* Jun. 9, 2015**

(54) **DIAGNOSTIC CARTRIDGE READER**

(71) Applicant: **MBio Diagnostics, Inc.**, Boulder, CO  
(US)

(72) Inventors: **Macksoud Khan**, Palo Alto, CA (US);  
**Zachary M. Ruef**, San Francisco, CA  
(US); **Keagan Rowley**, Boulder, CO  
(US)

(73) Assignee: **Mbio Diagnostics, Inc.**, Boulder, CO  
(US)

(\*\*) Term: **14 Years**

(21) Appl. No.: **29/451,535**

(22) Filed: **Apr. 3, 2013**

**Related U.S. Application Data**

(63) Continuation of application No. 29/416,269, filed on  
Mar. 20, 2012, now Pat. No. Des. 682,432, which is a  
continuation of application No. 29/393,971, filed on  
Jun. 10, 2011, now Pat. No. Des. 678,530.

(51) **LOC (10) Cl.** ..... **24-02**

(52) **U.S. Cl.**  
USPC ..... **D24/186**

(58) **Field of Classification Search**  
USPC ..... D24/186, 216, 230-233; 600/308;  
D10/81; 435/287.1, 287.3;  
436/807-817  
CPC ..... G01N 27/07; G01N 33/54366; G01N  
33/54373; G01N 35/025; G01N 33/558;  
G01N 21/8483; A61B 5/026; C12M 1/3446;  
A61K 38/00

See application file for complete search history.

(56) **References Cited**

U.S. PATENT DOCUMENTS

D334,237 S	3/1993	Collister et al.	
D400,673 S	11/1998	Kheiri et al.	
D404,140 S	1/1999	Meguro	
D427,315 S	6/2000	Saltzstein et al.	
D446,306 S	8/2001	Ochi et al.	
D477,084 S	7/2003	Menezes et al.	
D489,816 S	5/2004	Ross	
D490,516 S	5/2004	Takahashi et al.	
D503,807 S	4/2005	Ryan	
D508,565 S *	8/2005	Nephtin et al.	D24/186
D522,657 S *	6/2006	Murphy et al.	D24/186
D536,793 S	2/2007	Assad et al.	

(Continued)

OTHER PUBLICATIONS

U.S. Appl. No. 29/416,269, 26 pages.

*Primary Examiner* — T. Chase Nelson

*Assistant Examiner* — Mark Cavanna

(74) *Attorney, Agent, or Firm* — Lathrop & Gage LLP

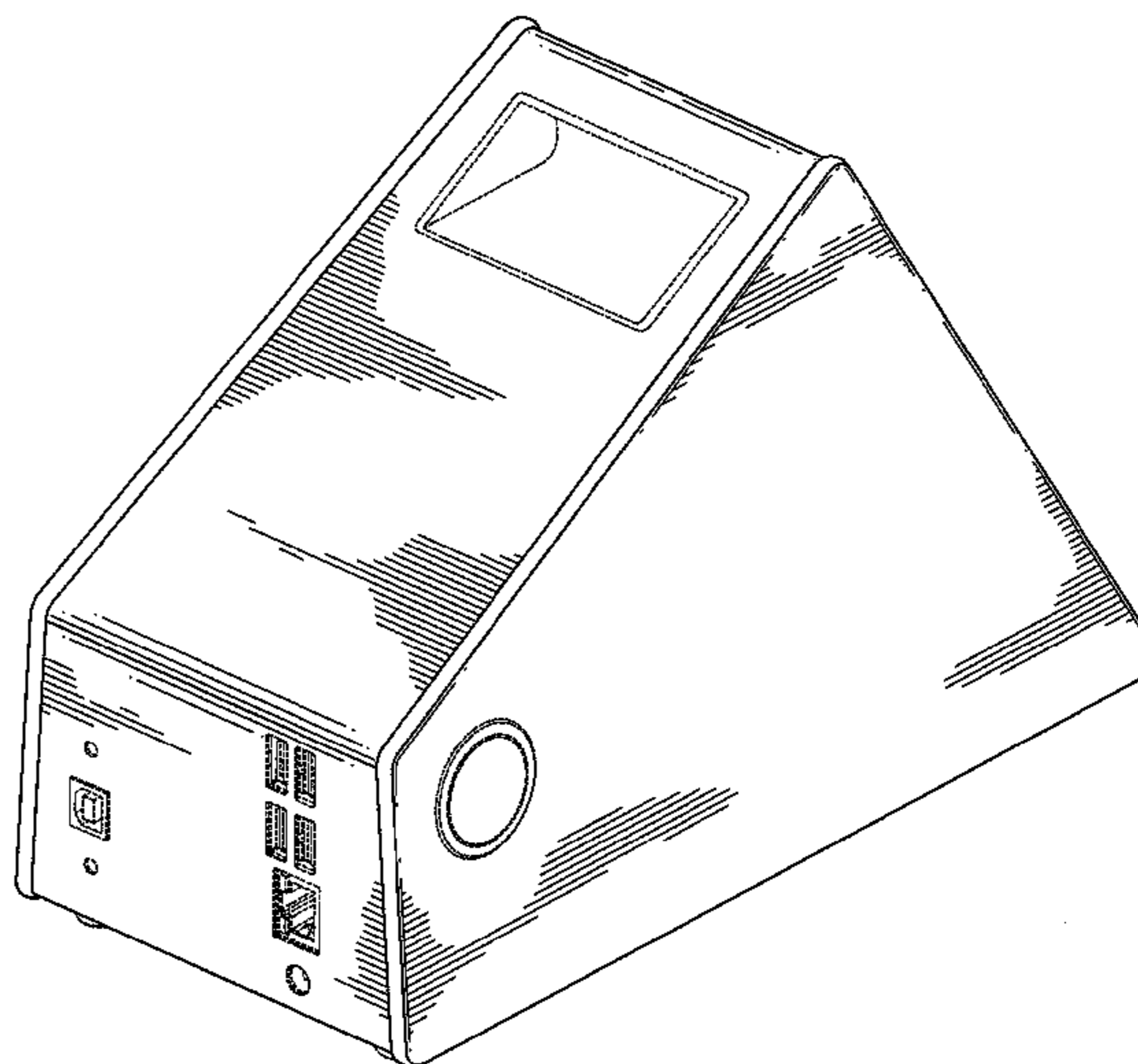
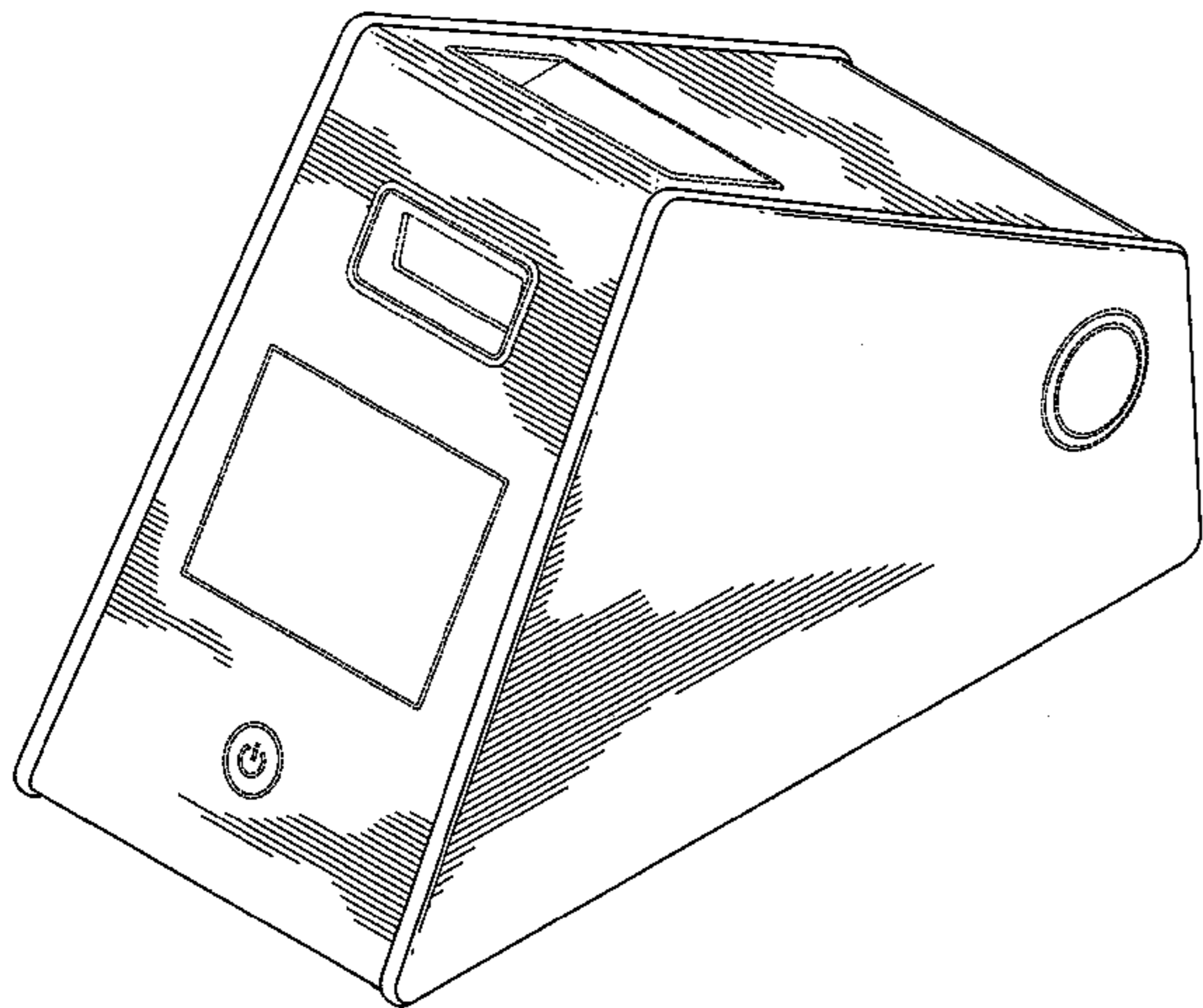
(57) **CLAIM**

The ornamental design for a diagnostic cartridge reader, as shown and described.

**DESCRIPTION**

FIG. 1 is a front perspective view of the diagnostic cartridge reader, showing the new design; FIG. 2 is a front elevation of the diagnostic cartridge reader; FIG. 3 is a side elevation of the diagnostic cartridge reader, an opposing side elevation of the diagnostic cartridge reader being a mirror image thereof; FIG. 4 is a top plan view of the diagnostic cartridge reader; FIG. 5 is a rear elevation of the diagnostic cartridge reader; FIG. 6 is a bottom plan view of the diagnostic cartridge reader; and, FIG. 7 is a rear perspective view of the diagnostic cartridge reader. In all of FIGS. 1 through 7, dashed lines indicate environmental structure that forms no part of the claimed design.

**1 Claim, 7 Drawing Sheets**



(56)

**References Cited**

U.S. PATENT DOCUMENTS

D537,944 S \* 3/2007 Eda et al. .... D24/165  
D573,051 S 7/2008 Alden et al.  
D577,440 S \* 9/2008 Ferber et al. .... D24/165  
D584,975 S 1/2009 Haberstroh  
D597,216 S 7/2009 McGuigan et al.  
D598,551 S 8/2009 Miwa et al.

D609,343 S 2/2010 Omaki  
D609,344 S 2/2010 Hara  
D612,503 S \* 3/2010 Johnston et al. .... D24/186  
D647,209 S 10/2011 Muller et al.  
D651,319 S 12/2011 Hara  
D655,421 S \* 3/2012 Lee et al. .... D24/216  
D661,810 S \* 6/2012 Zanoni et al. .... D24/186  
D665,501 S \* 8/2012 Shibata et al. .... D24/165  
D680,653 S \* 4/2013 Fullerton et al. .... D24/167

\* cited by examiner

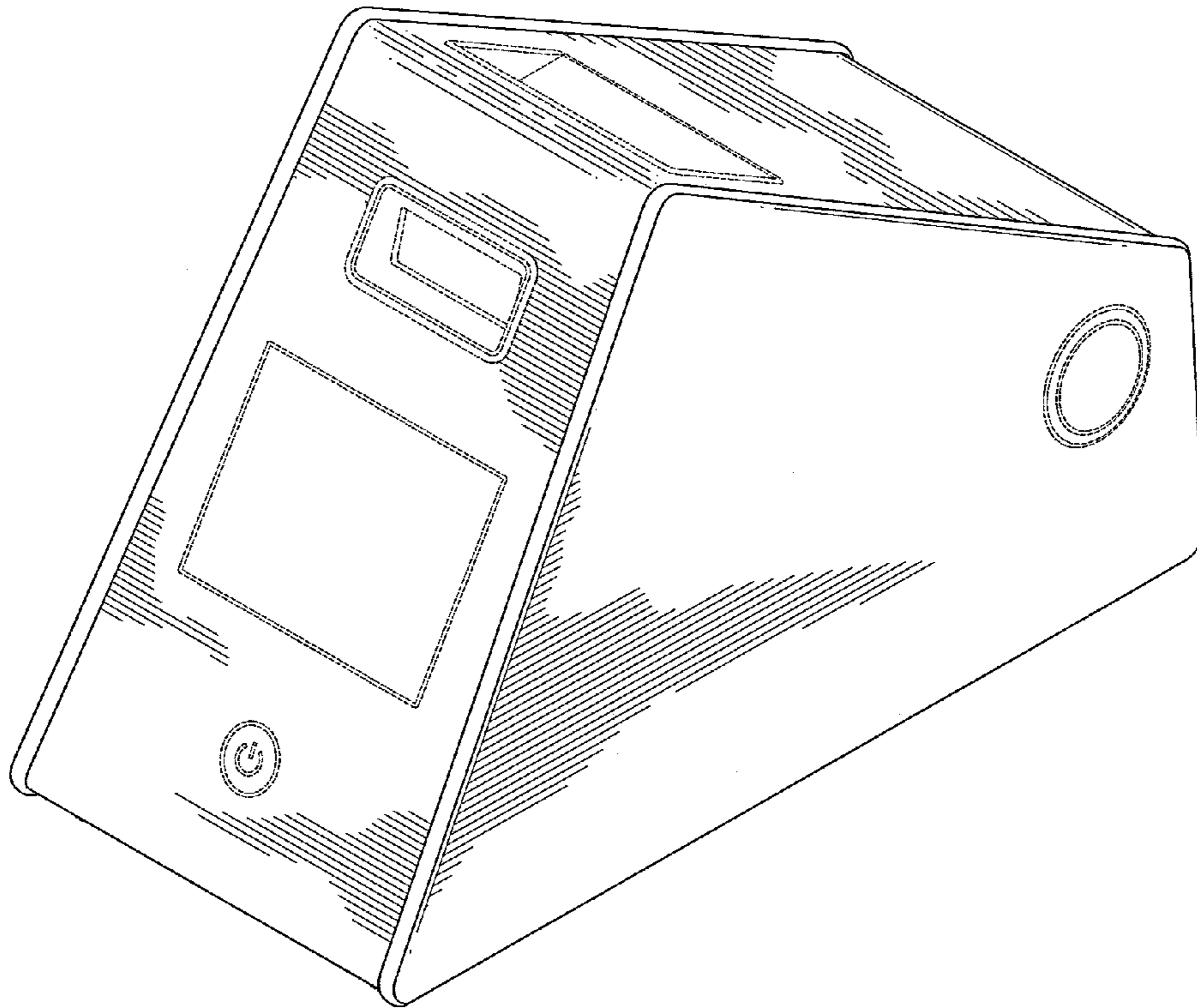


FIG. 1

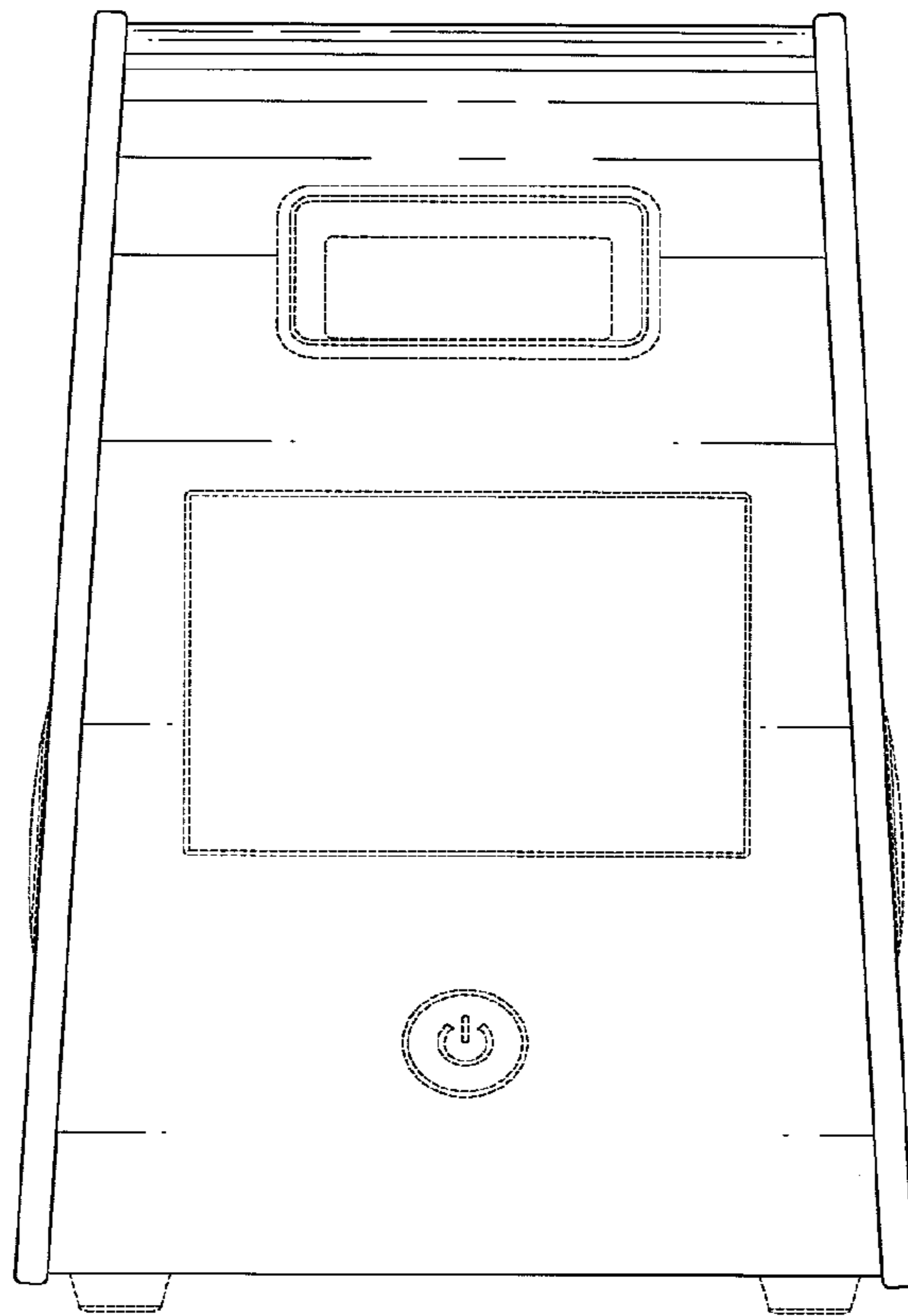


FIG. 2

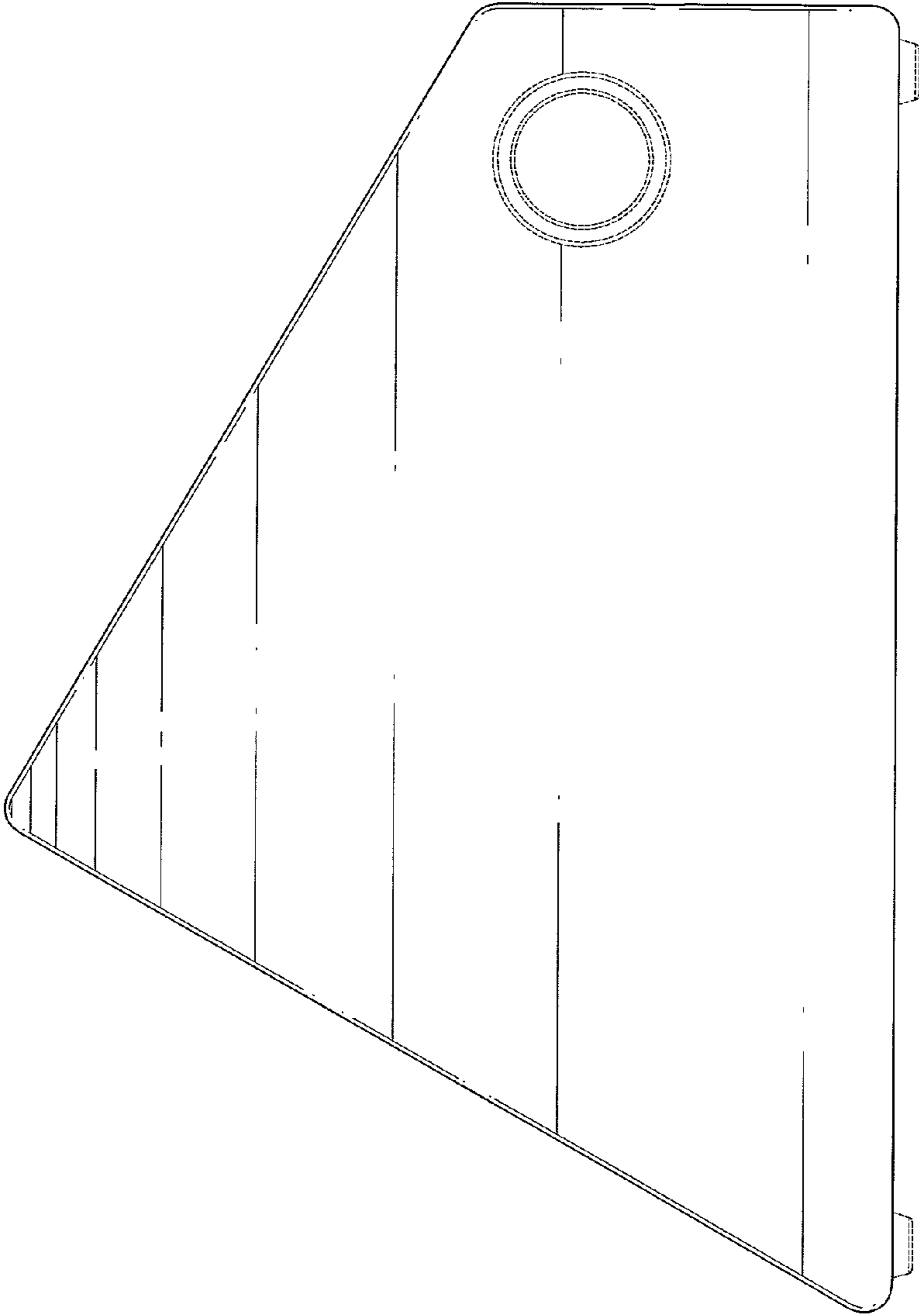


FIG.3

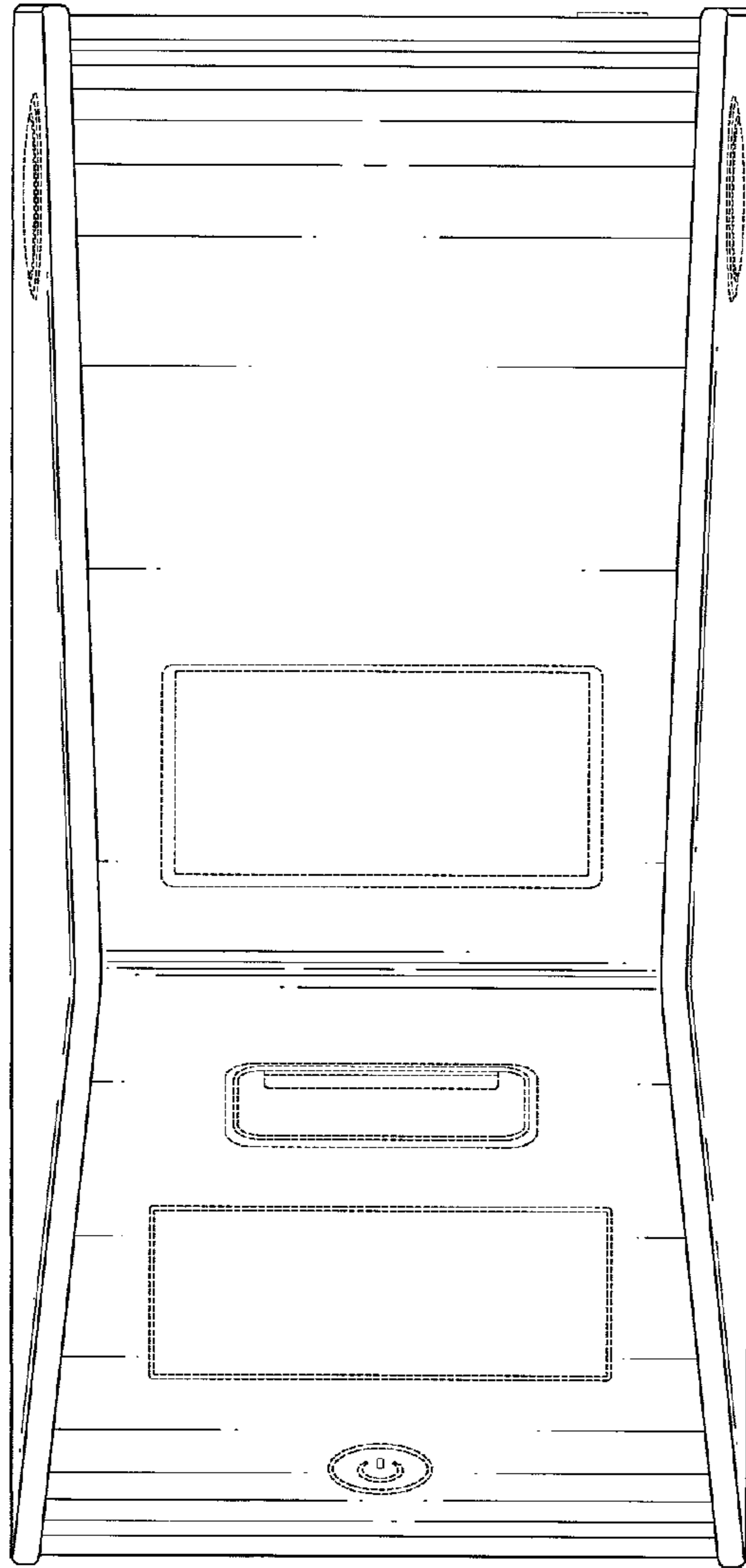


FIG.4

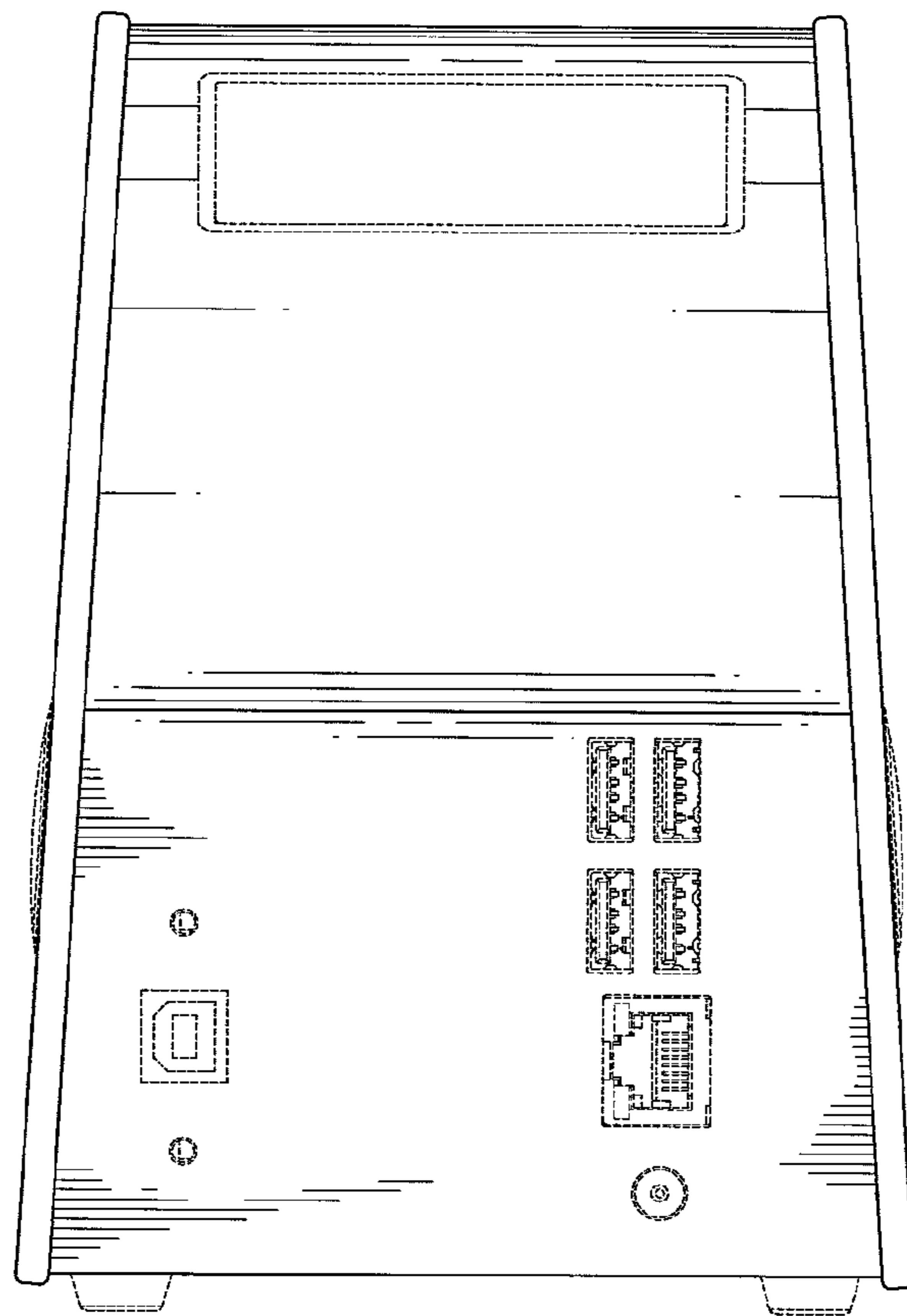


FIG. 5

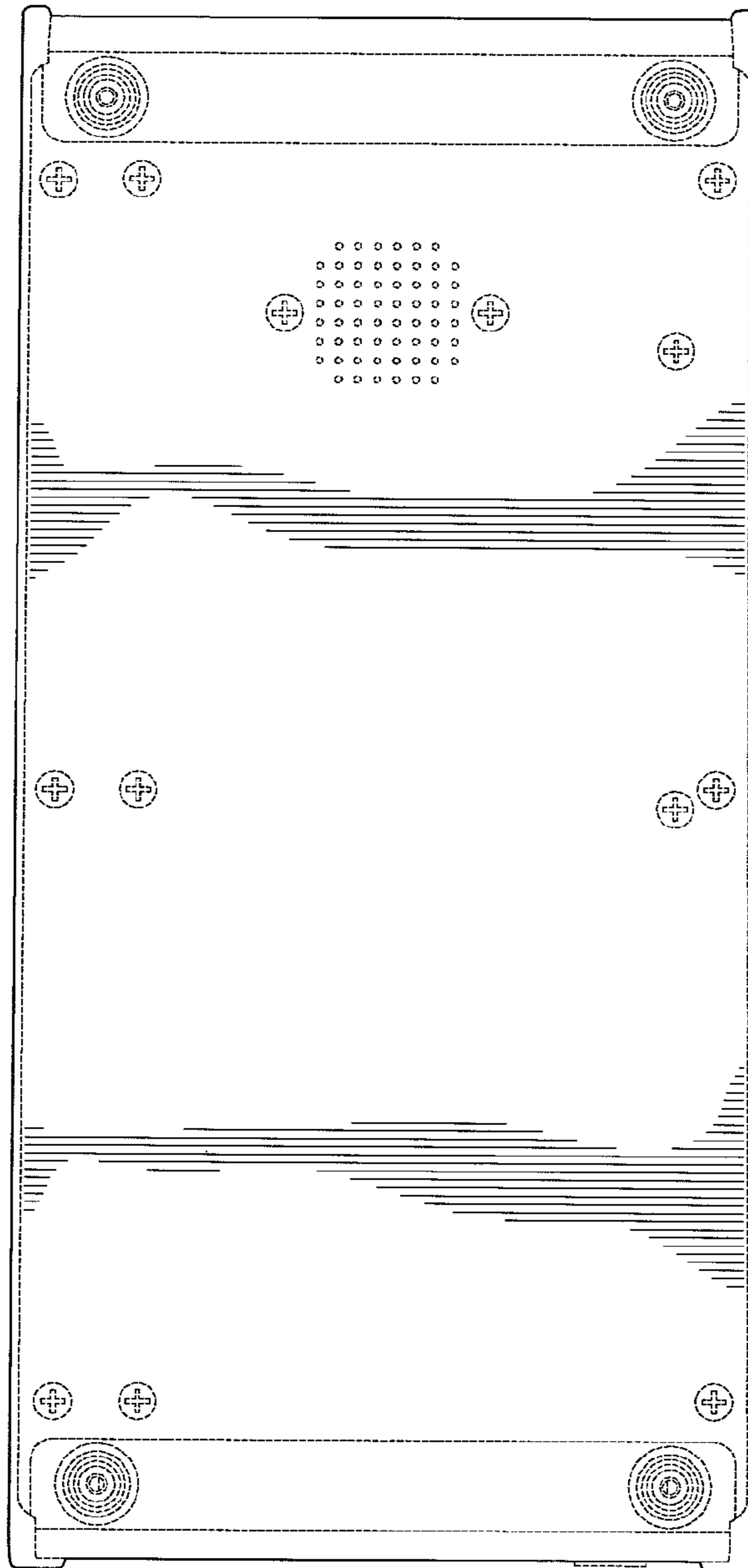


FIG. 6



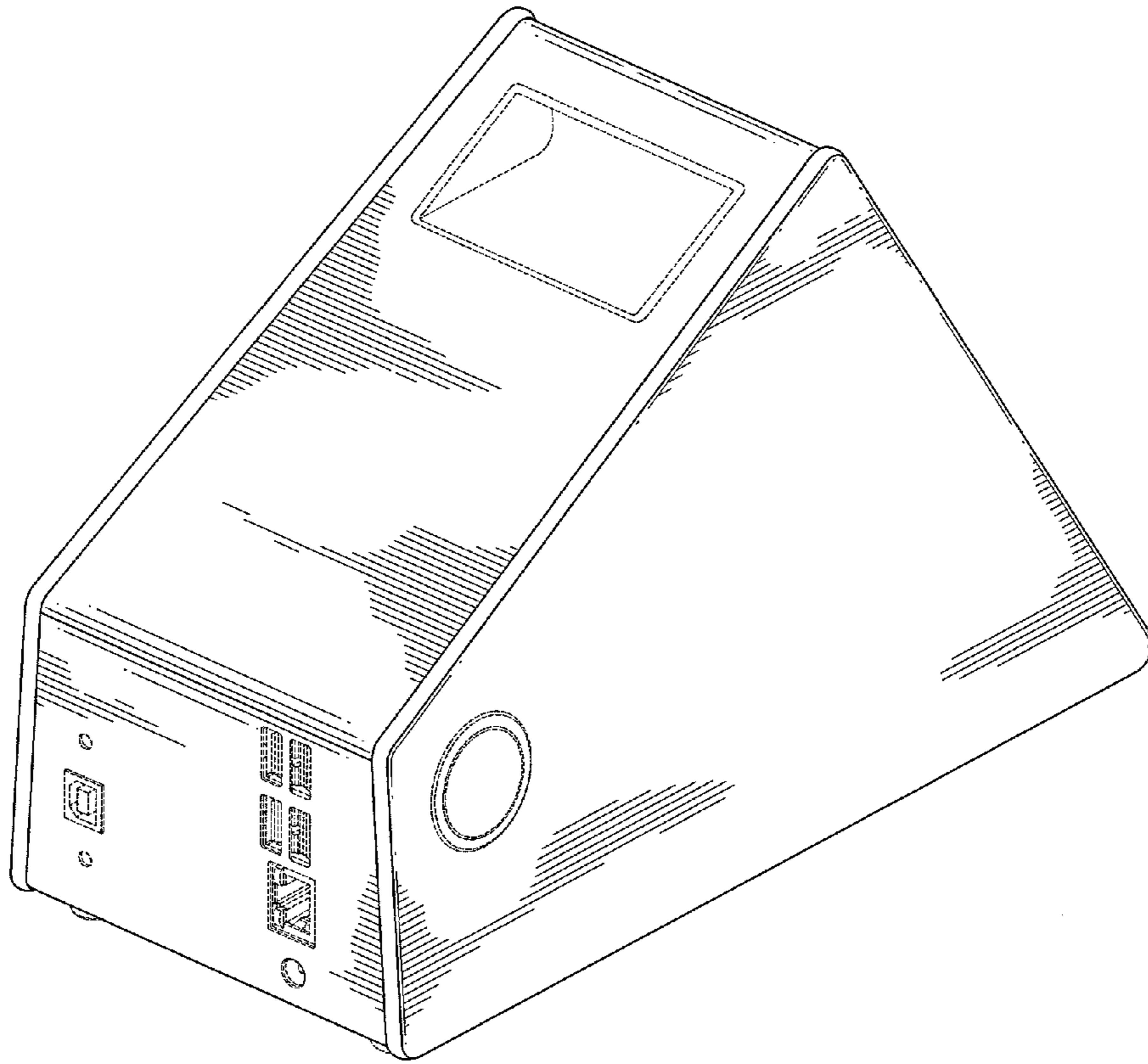


FIG. 7