



US00D731661S

(12) **United States Design Patent**  
**Cox**

(10) **Patent No.:** **US D731,661 S**  
(45) **Date of Patent:** **\*\* Jun. 9, 2015**

(54) **ADJUSTABLE SURGICAL STAND**  
(71) Applicant: **Sammy Lane Cox**, Amarillo, TX (US)  
(72) Inventor: **Sammy Lane Cox**, Amarillo, TX (US)  
(\*\*) Term: **14 Years**  
(21) Appl. No.: **29/483,522**  
(22) Filed: **Feb. 28, 2014**  
(51) **LOC (10) Cl.** ..... **24-00**  
(52) **U.S. Cl.**  
USPC ..... **D24/185**  
(58) **Field of Classification Search**  
USPC ..... D24/185, 172, 234, 128; 606/1;  
D6/653.15, 708.17, 708, 690, 696.1,  
D6/691.4, 353, 656.15, 486, 349, 405,  
D6/368; D12/400; 273/309; 128/849, 845;  
108/24  
See application file for complete search history.

D689,705 S \* 9/2013 Gustafson et al. .... D6/353  
D691,840 S \* 10/2013 Copeland ..... D6/691.4  
D692,264 S \* 10/2013 Weatherly ..... D6/696.1

(Continued)

**OTHER PUBLICATIONS**

“ECX.Images” reference dated Jan. 5, 2015, found on the internet at [http://ecx.images-amazon.com/images/1/41g%2BBvTWEJL.\\_SY300\\_.jpg](http://ecx.images-amazon.com/images/1/41g%2BBvTWEJL._SY300_.jpg).  
“St.Houzz” reference dated Jan. 5, 2015, found on the internet at [http://st.houzz.com/simgs/3f41274c0301a480\\_4-6578/traditional-coffee-tables.jpg](http://st.houzz.com/simgs/3f41274c0301a480_4-6578/traditional-coffee-tables.jpg).  
“Img2” reference dated Jan. 5, 2015, found on the internet at <http://img2.wfrcdn.com/If/50/hash/15491/7443097/1/Creative-Images-International-Motion-Glass-Coffee-Table.jpg>.

*Primary Examiner* — Ian Simmons  
*Assistant Examiner* — Rhea Shields  
(74) *Attorney, Agent, or Firm* — Chainey P. Singleton;  
Chalker Flores, LLP

(57) **CLAIM**  
The ornamental design for an adjustable surgical stand showing my new design, as shown and described.

**DESCRIPTION**

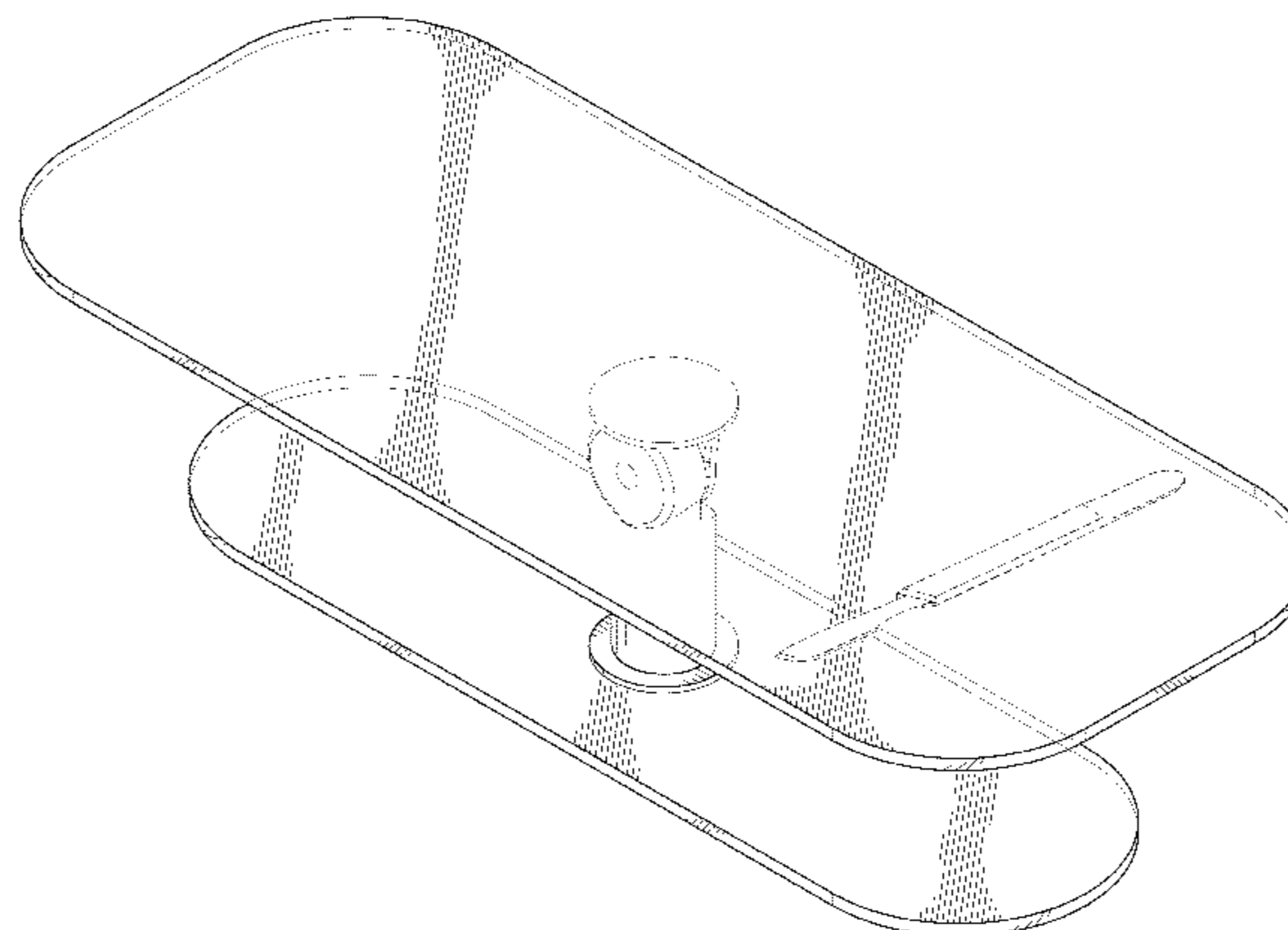
FIG. 1 is an isometric top view of an adjustable surgical stand showing my new design to position, wherein the tool is merely to show scale.  
FIG. 2 is a side view of an adjustable surgical stand showing my new design.  
FIG. 3 is a side view of an adjustable surgical stand showing my new design.  
FIG. 4 is a side view of an adjustable surgical stand showing my new design.  
FIG. 5 is a side view of an adjustable surgical stand showing my new design.  
FIG. 6 is a top view of an adjustable surgical stand showing my new design.  
FIG. 7 is a bottom view of an adjustable surgical stand showing my new design; and,  
FIG. 8 is an isometric bottom view of an adjustable surgical stand showing my new design to position, wherein the tool is merely to show scale.  
In the drawings, the broken lines depict unclaimed subject matter only and form no part of the claimed design.

**1 Claim, 7 Drawing Sheets**

(56) **References Cited**

**U.S. PATENT DOCUMENTS**

3,557,791 A \* 1/1971 Duffy ..... 606/1  
D246,186 S \* 10/1977 Rorabaugh ..... D24/172  
D270,588 S \* 9/1983 Kemple ..... D6/486  
D422,803 S \* 4/2000 Bufalini ..... D6/368  
D447,567 S \* 9/2001 Murphy et al. .... D24/172  
D454,400 S \* 3/2002 Nored ..... D24/234  
D478,431 S \* 8/2003 Britigan ..... D6/405  
D481,350 S \* 10/2003 McCoy et al. .... D12/400  
D481,530 S 11/2003 Hillyer  
D567,381 S \* 4/2008 Olivera et al. .... D24/185  
D568,467 S \* 5/2008 Cottone ..... D24/128  
7,578,507 B2 \* 8/2009 Slappay ..... 273/309  
D613,082 S \* 4/2010 Peel ..... D6/349  
D616,551 S \* 5/2010 Fallon et al. .... D24/185  
D626,238 S \* 10/2010 Zinnanti ..... D24/185  
7,854,230 B2 \* 12/2010 Faries et al. .... 128/849  
D664,792 S \* 8/2012 Gustafson et al. .... D6/486  
8,397,647 B1 \* 3/2013 Riegel ..... 108/24  
D685,913 S \* 7/2013 Augustinos et al. .... D24/185  
D687,657 S \* 8/2013 Ruiter et al. .... D6/656.15



# US D731,661 S

Page 2

---

(56)

## References Cited

### U.S. PATENT DOCUMENTS

D697,344 S \* 1/2014 Kerian ..... D6/690  
D716,587 S \* 11/2014 Chang ..... D6/653.15

D716,595 S \* 11/2014 Muller ..... D6/708  
D716,597 S \* 11/2014 Muller ..... D6/708.17  
2012/0240938 A1\* 9/2012 Pamichev ..... 128/845

\* cited by examiner

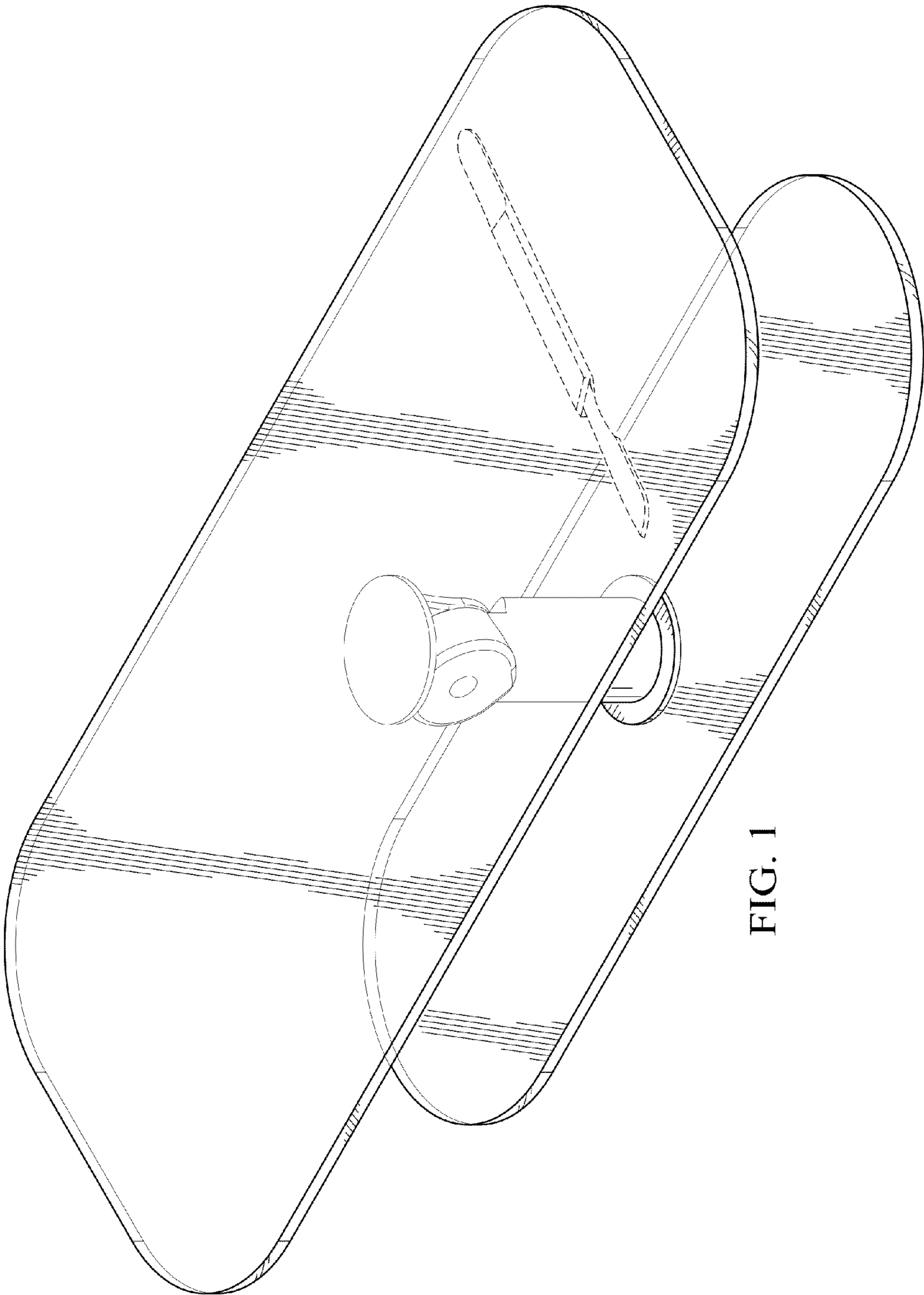


FIG. 1

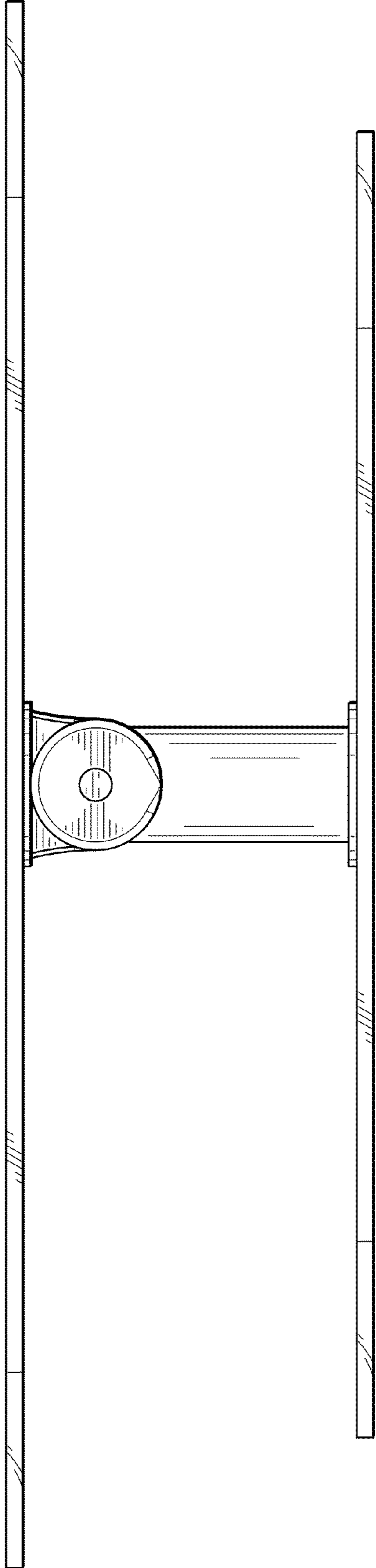


FIG. 2

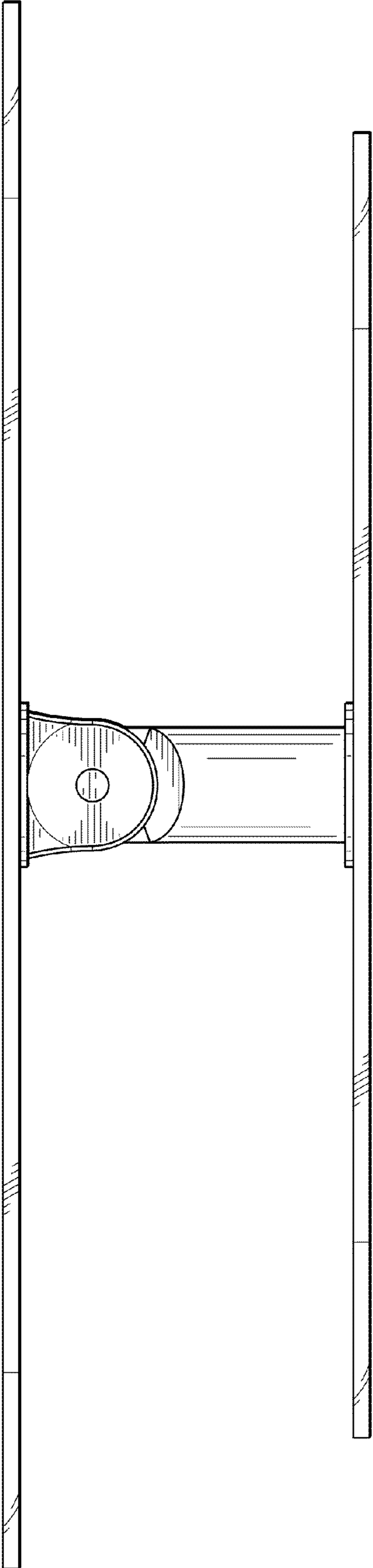


FIG. 3

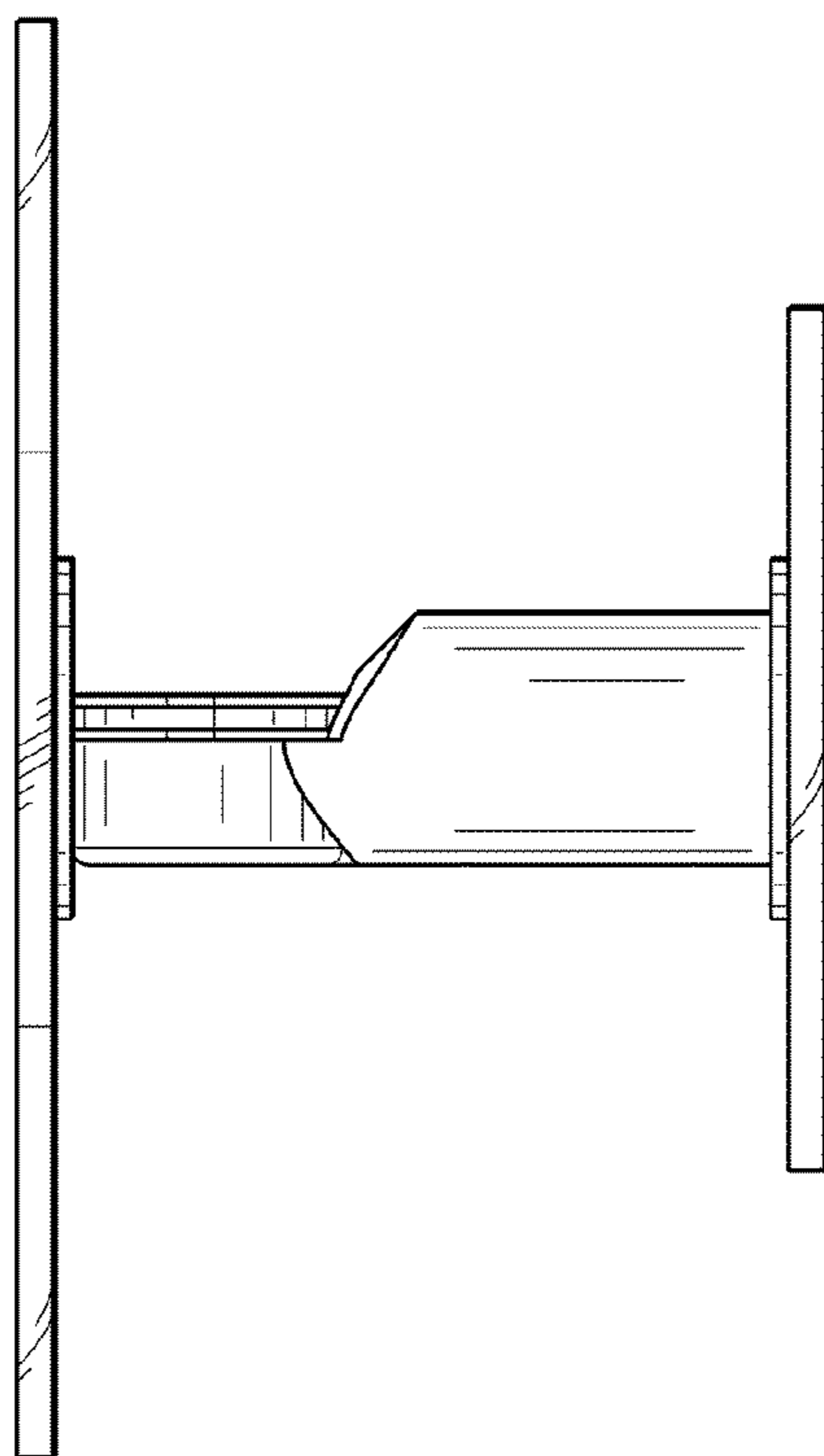


FIG. 5

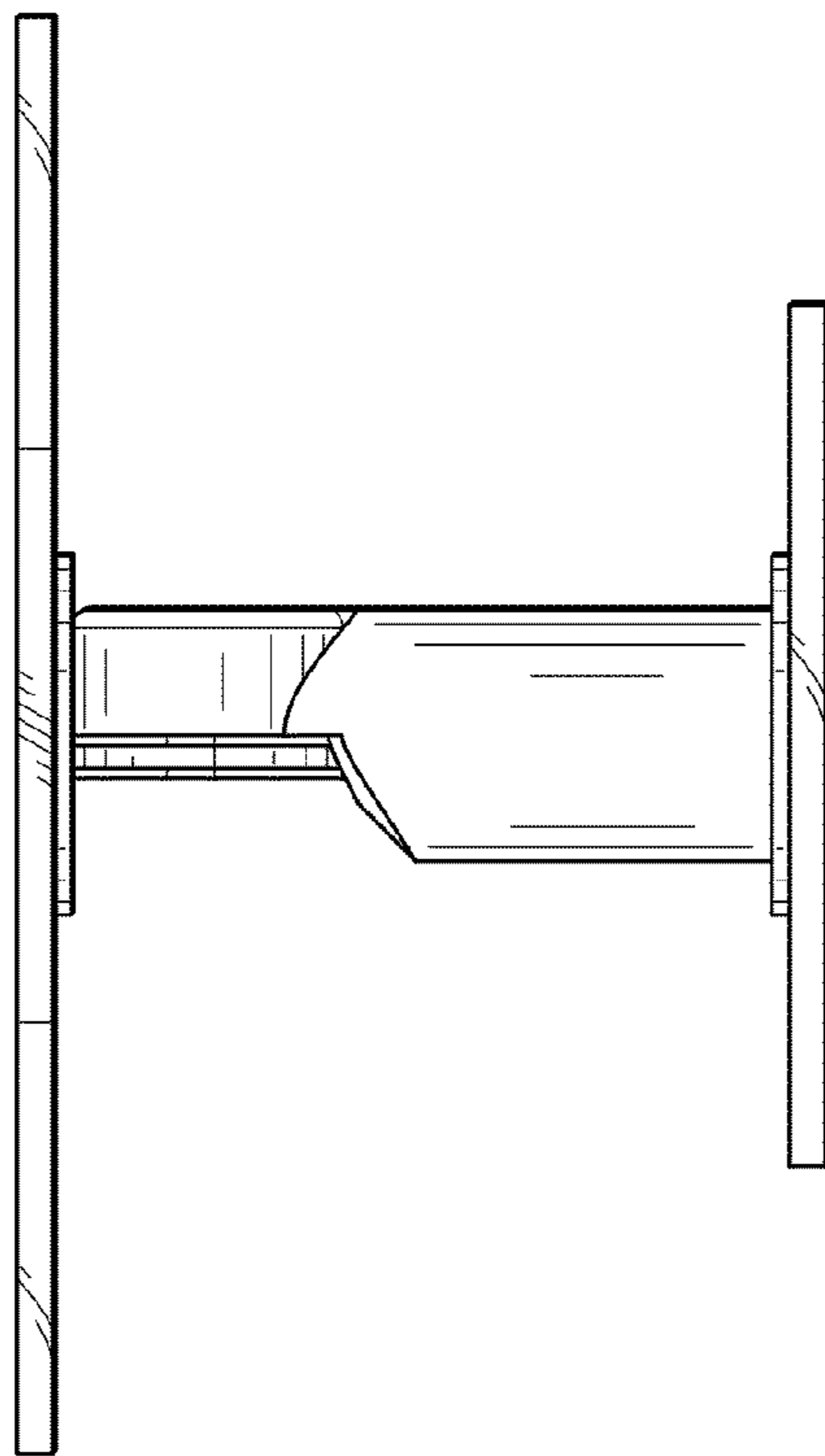


FIG. 4

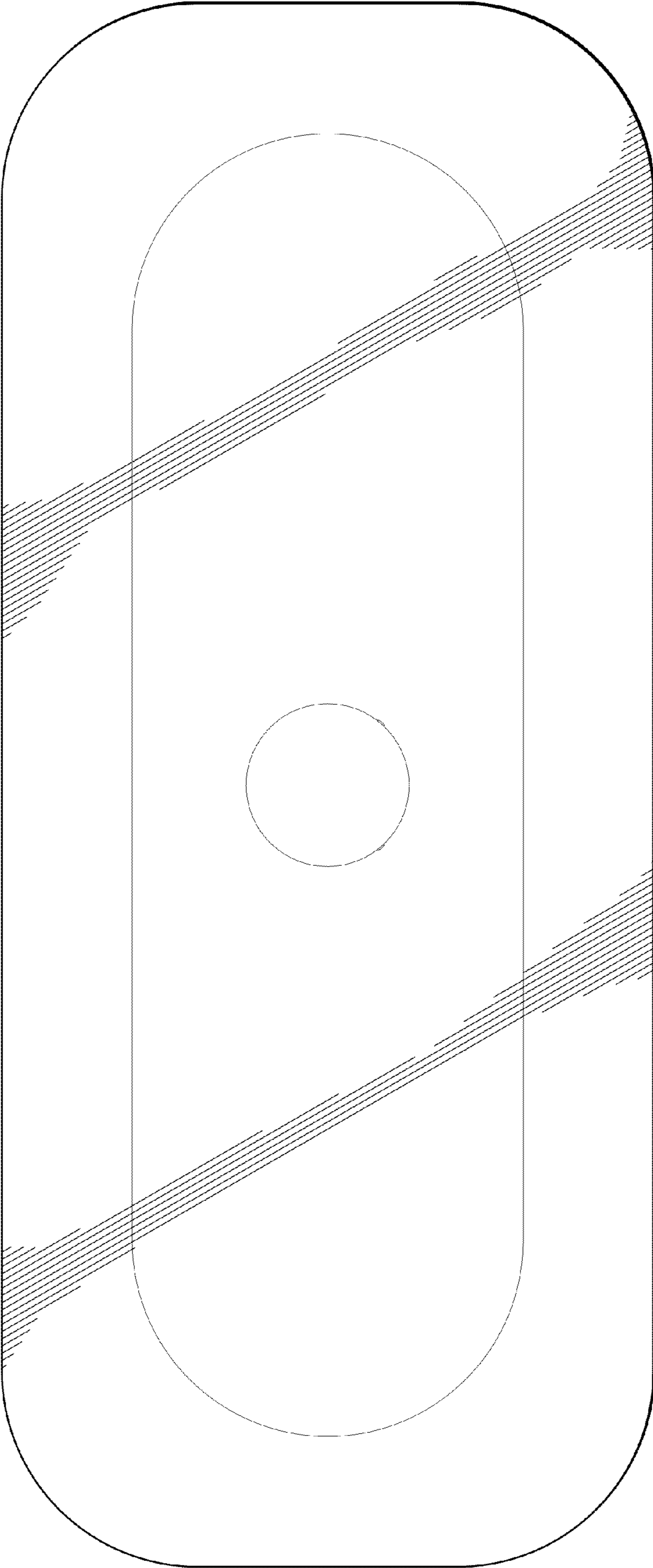


FIG. 6

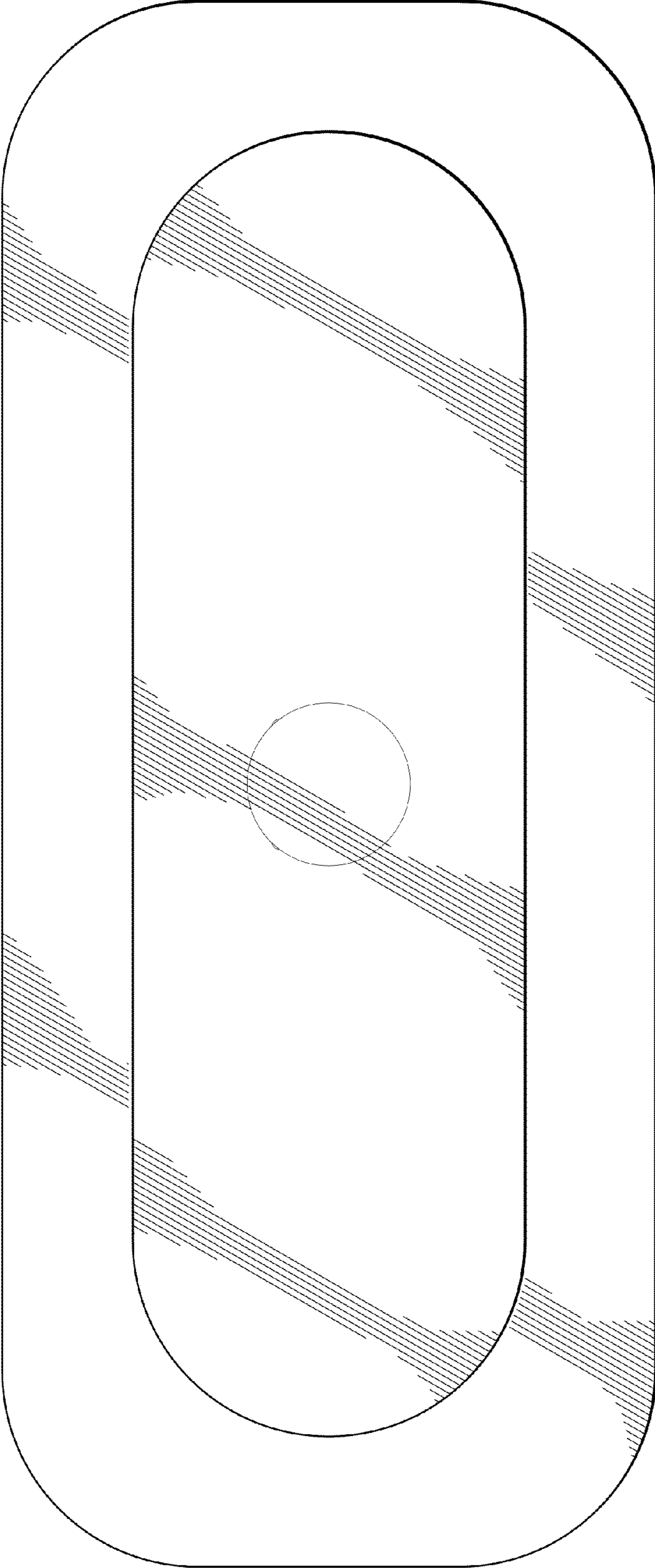


FIG. 7



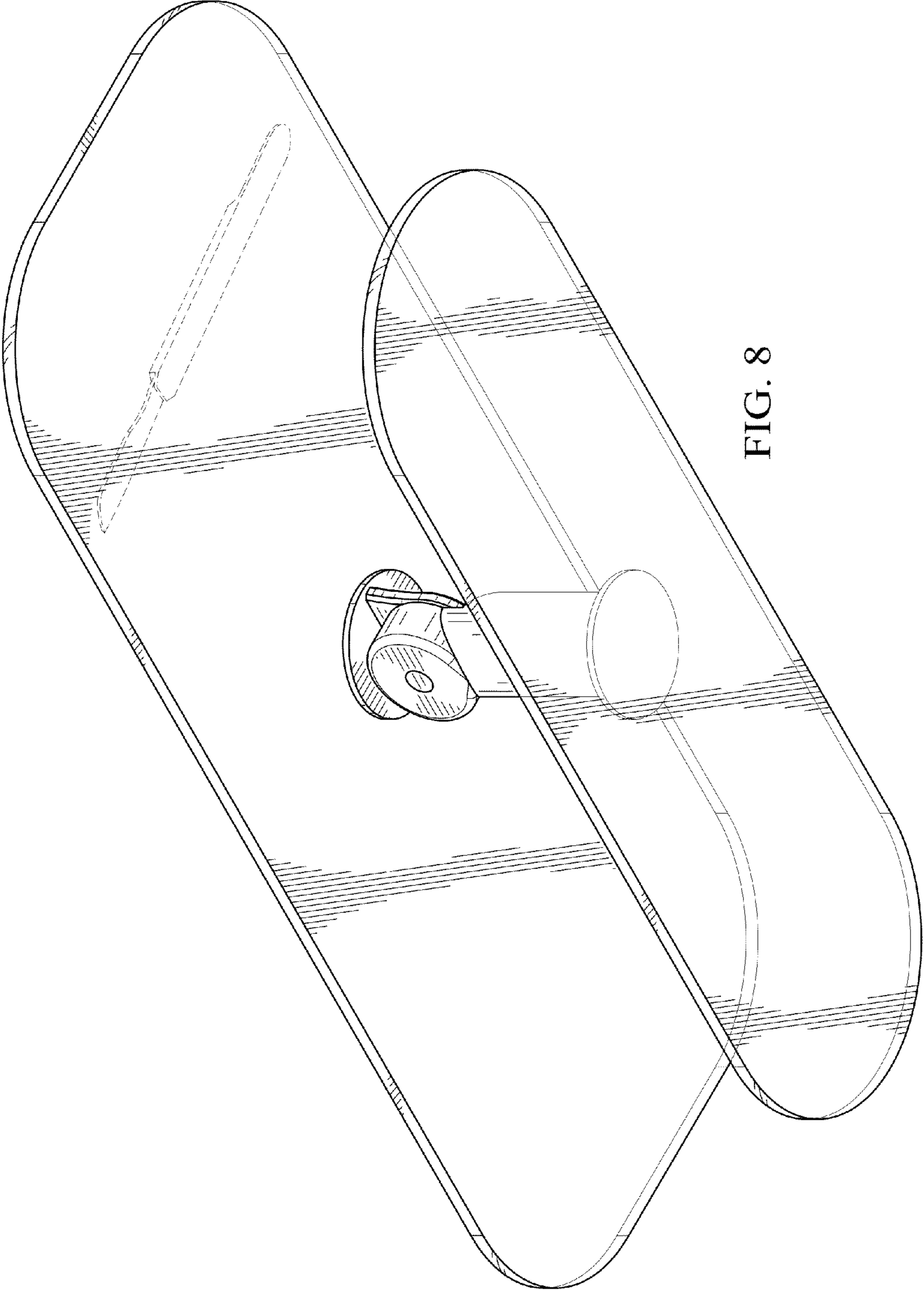


FIG. 8