

US00D731660S

(12) **United States Design Patent**
Luco

(10) **Patent No.:** **US D731,660 S**
(45) **Date of Patent:** **** Jun. 9, 2015**

- (54) **DENTAL APPLIANCE**
- (71) Applicant: **Kenneth Luco**, Kingston (CA)
- (72) Inventor: **Kenneth Luco**, Kingston (CA)
- (73) Assignee: **LUCO HYBRID OSA APPLIANCE INC.**, Kingston, Ontario (CA)
- (**) Term: **14 Years**
- (21) Appl. No.: **29/497,781**
- (22) Filed: **Jul. 29, 2014**

D614,304 S *	4/2010	Jansheski	D24/180
7,832,404 B2 *	11/2010	Jansheski	128/859
8,113,206 B2 *	2/2012	Roettger et al.	128/861
2013/0239978 A1 *	9/2013	Stubbs et al.	128/861
2014/0076332 A1 *	3/2014	Luco	128/848

* cited by examiner

Primary Examiner — Wan Laymon

(74) *Attorney, Agent, or Firm* — Michael J. Feigin, Esq.;
Feigin & Associates, LLC

(57) **CLAIM**

The ornamental design for the dental appliance, as shown and described.

Related U.S. Application Data

- (62) Division of application No. 29/432,493, filed on Sep. 15, 2012, now Pat. No. Des. 713,040.
- (51) **LOC (10) Cl.** **24-02**
- (52) **U.S. Cl.**
USPC **D24/180**
- (58) **Field of Classification Search**
USPC D24/180–182, 176, 152; D29/108;
602/902; 128/848, 859, 861; 433/6–7,
433/18–19, 20–24, 140
See application file for complete search history.

DESCRIPTION

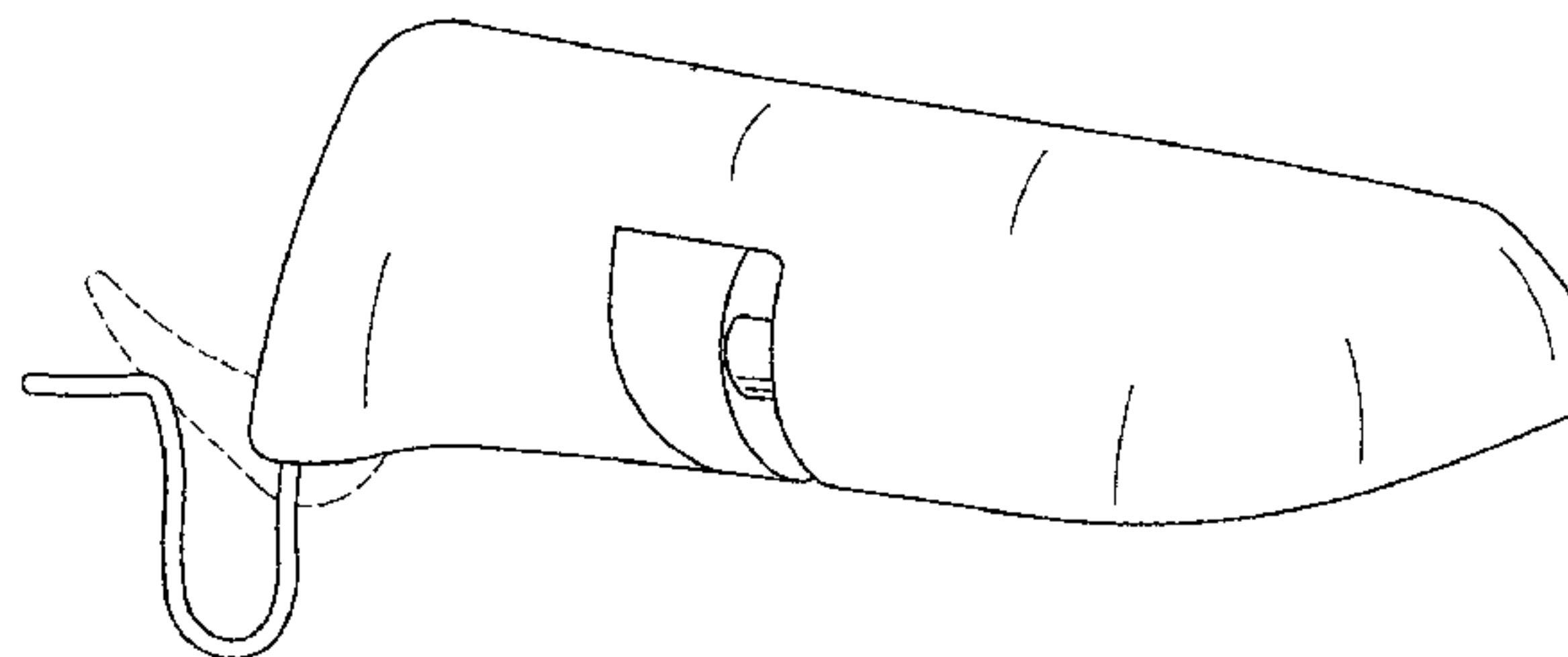
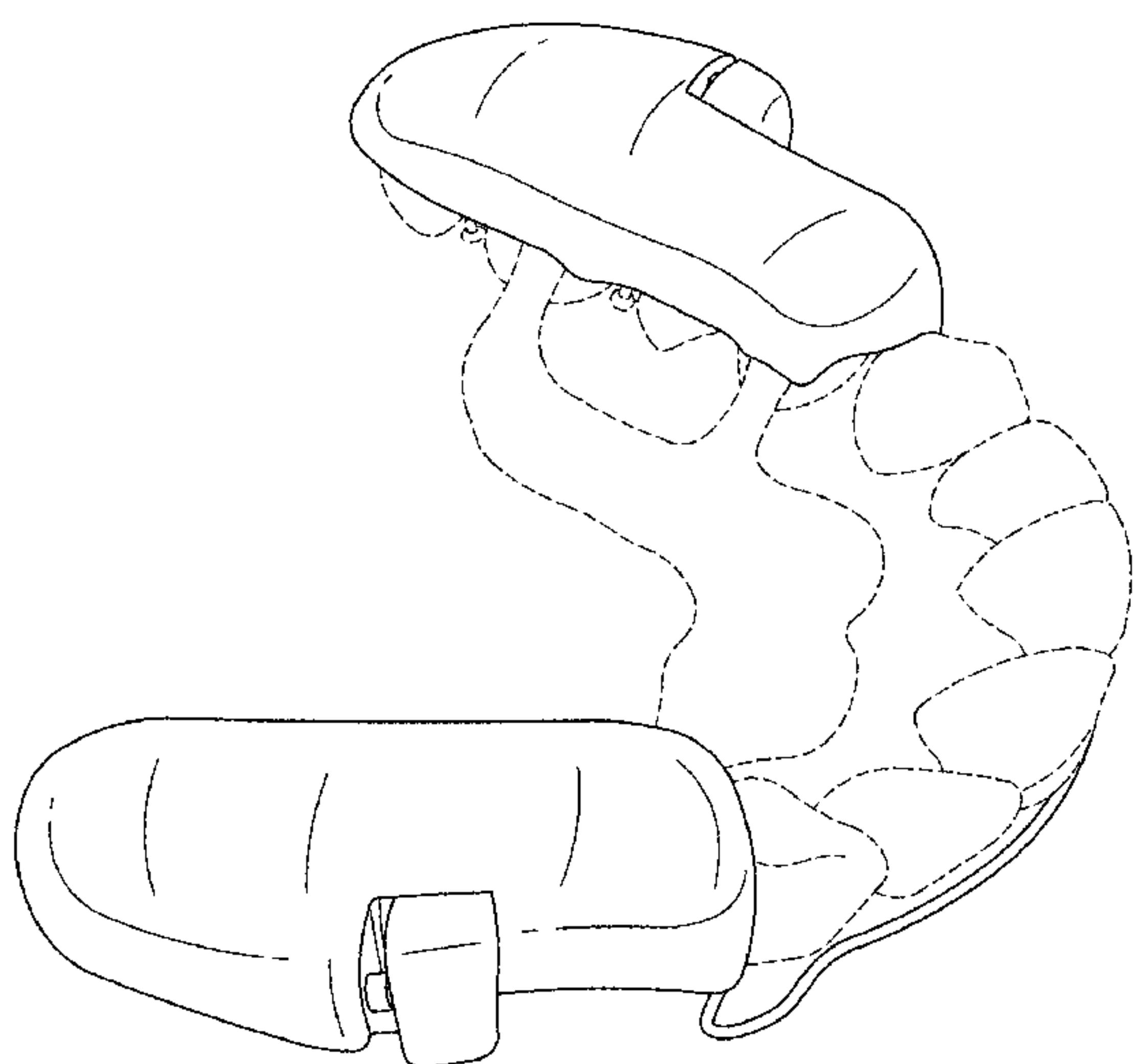
FIG. 1 is a top and side perspective view of the top piece of the dental appliance;
 FIG. 2 is a top view of the top piece of the dental appliance;
 FIG. 3 is a bottom view of the top piece of the dental appliance;
 FIG. 4 is a side view of the top piece of the dental appliance, the reverse side being a mirror image thereof;
 FIG. 5 is a bottom side view of the top piece of the dental appliance;
 FIG. 6 is a front side view of the top piece of the dental appliance; and,
 FIG. 7 is a back side view of the top piece of the dental appliance.
 The broken lines are included for the purpose of illustrating portions of the dental appliance and form no part of the claimed design.

(56) **References Cited**

U.S. PATENT DOCUMENTS

4,671,766 A *	6/1987	Norton	433/6
5,826,581 A *	10/1998	Yoshida	128/859
6,164,278 A *	12/2000	Nissani	128/848
6,604,527 B1 *	8/2003	Palmisano	128/848

1 Claim, 7 Drawing Sheets



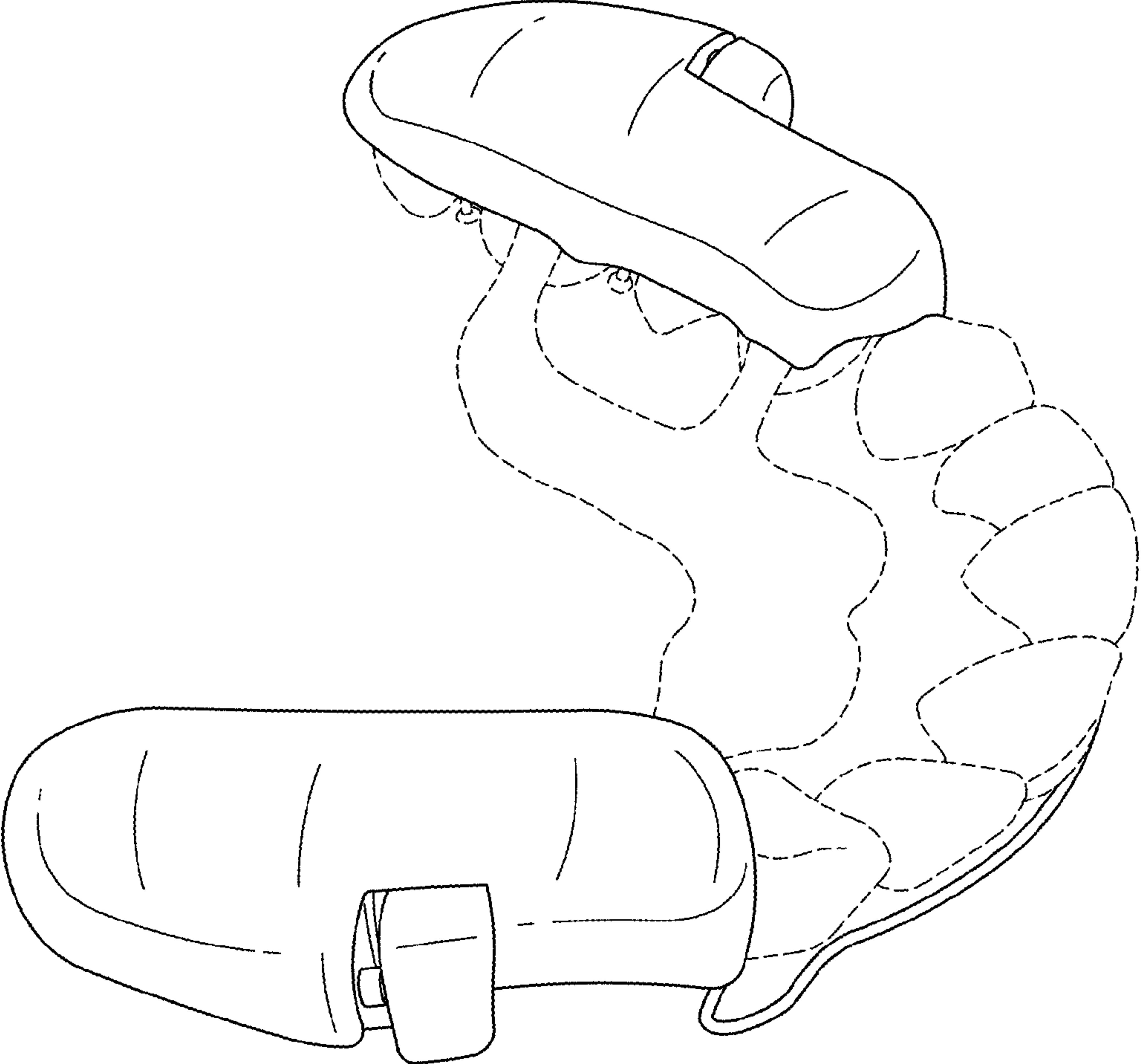


FIG. 1

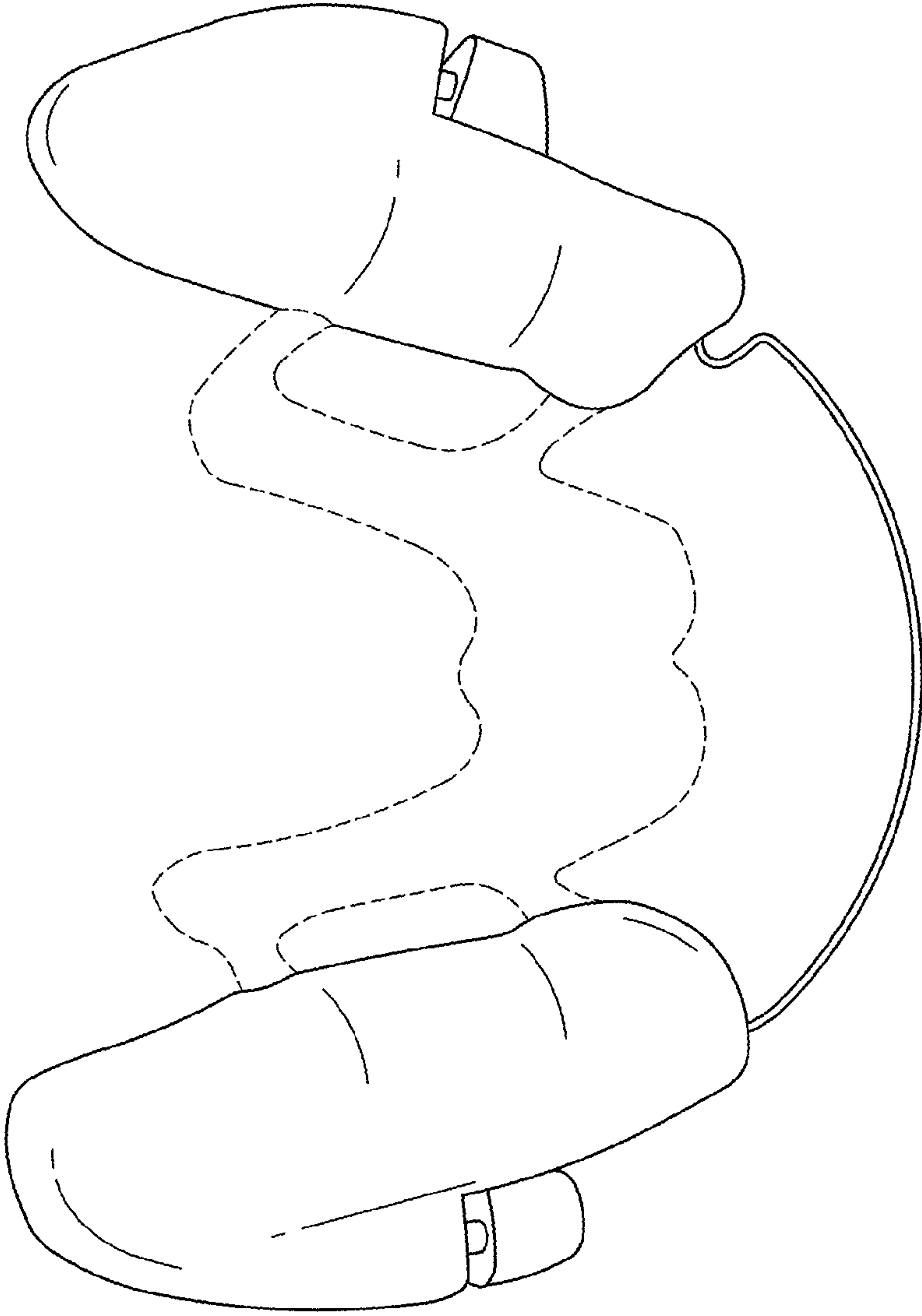


FIG. 2

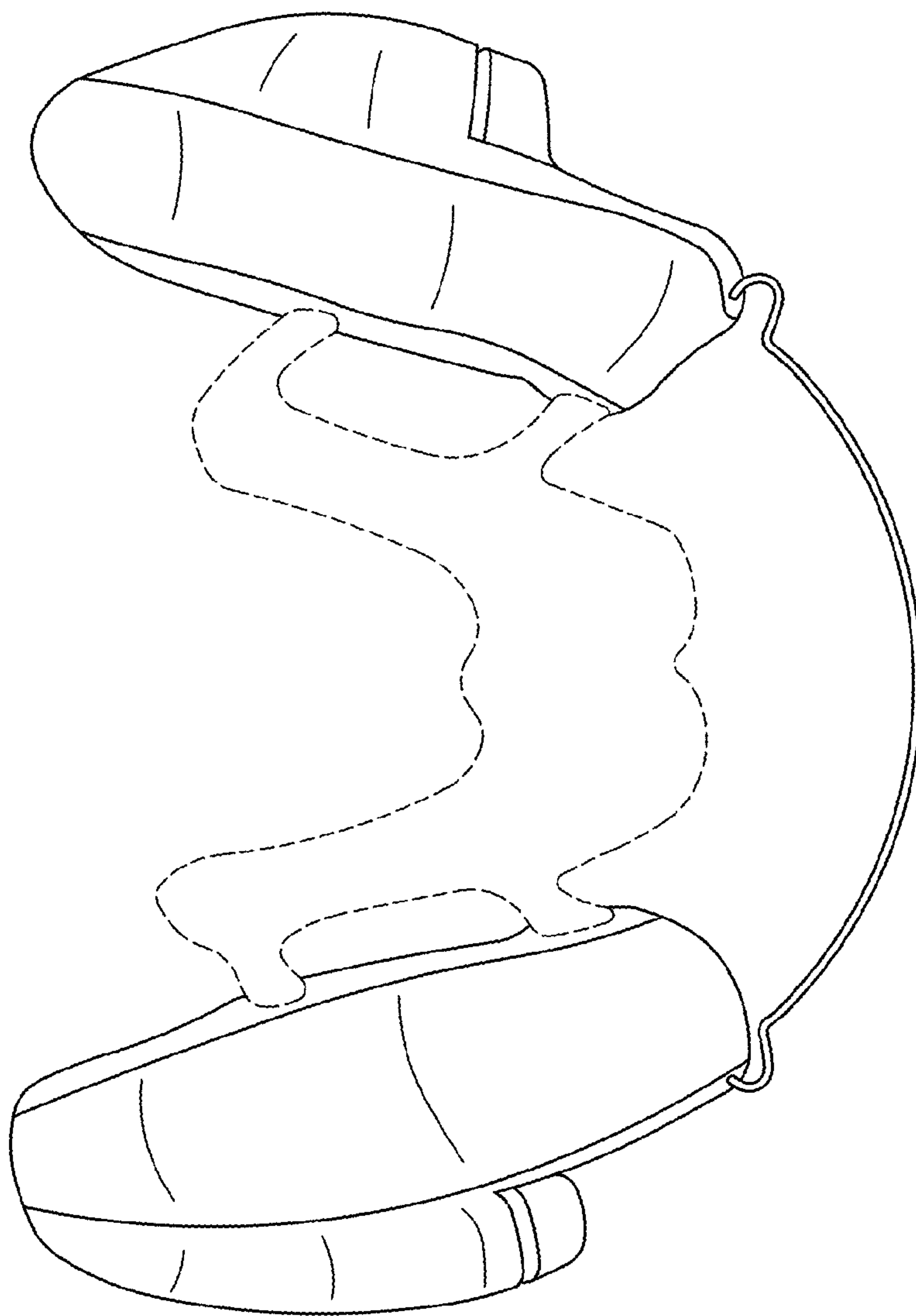


FIG. 3

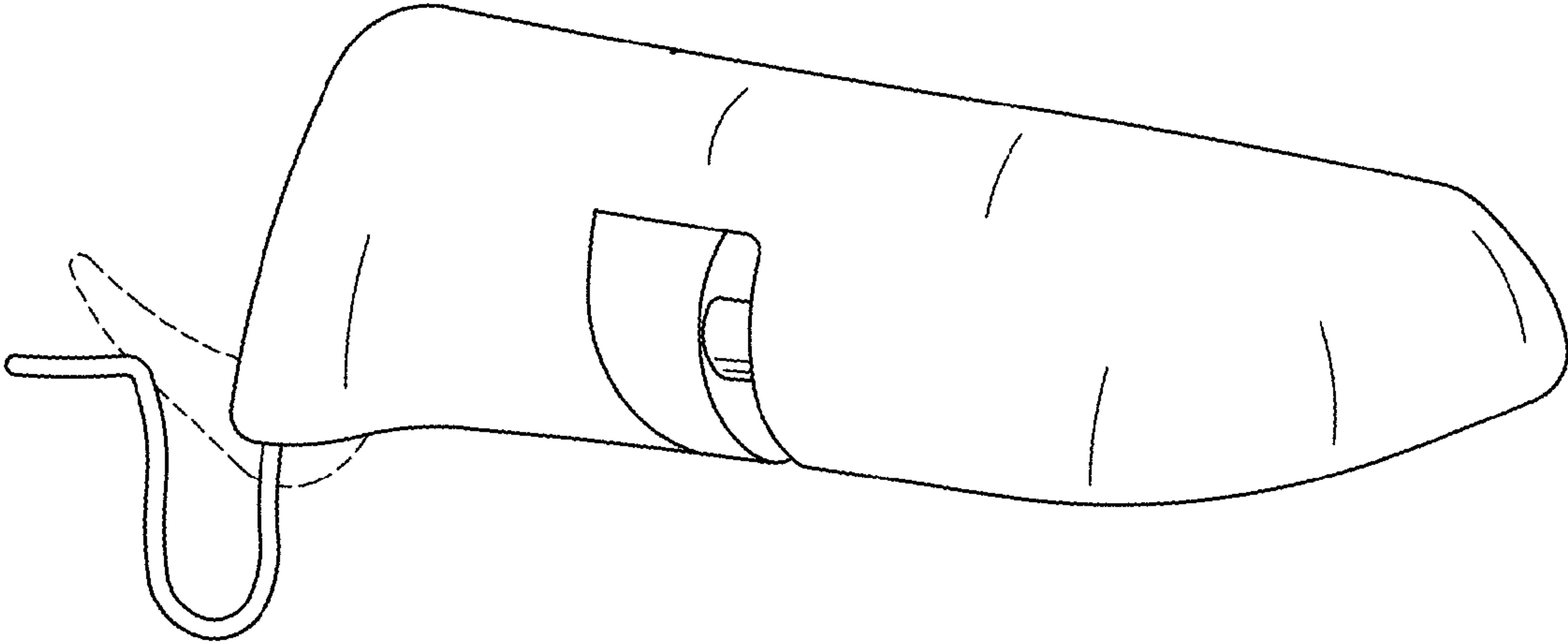


FIG. 4

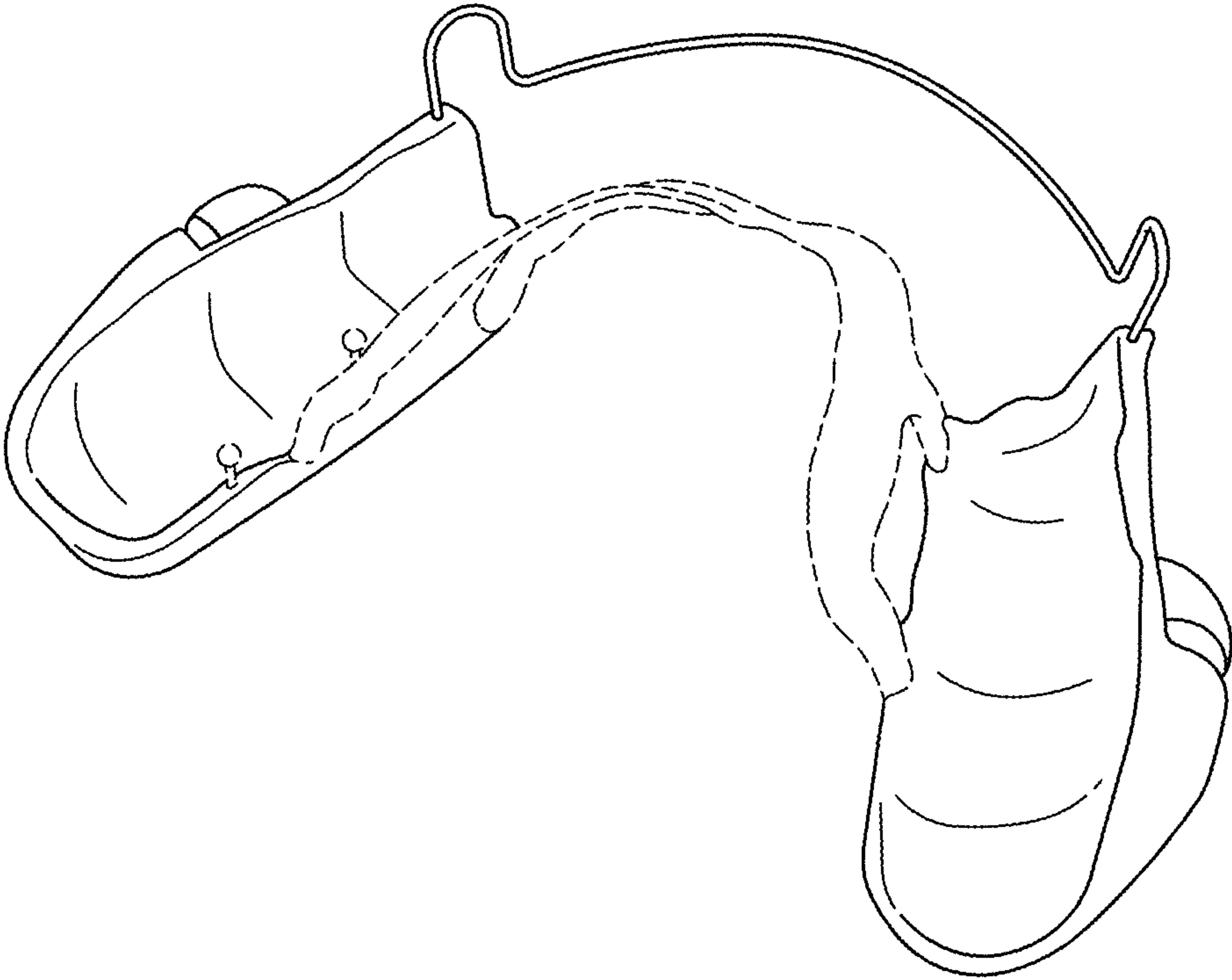


FIG. 5

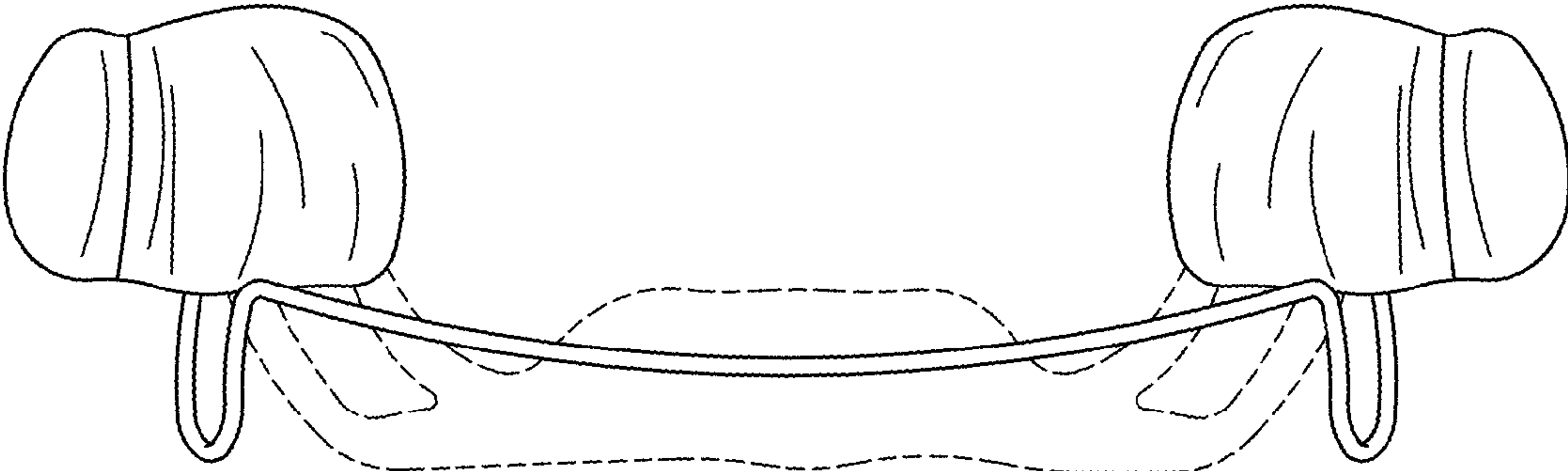


FIG. 6

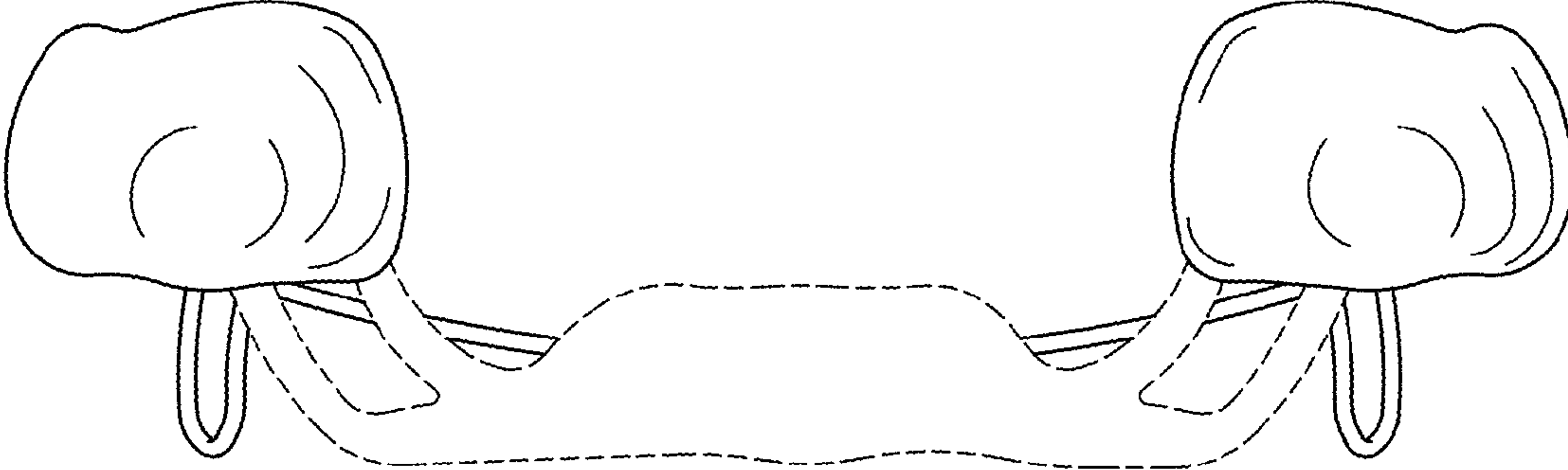


FIG. 7