



US00D731659S

(12) **United States Design Patent**  
**Singh**

(10) **Patent No.:** **US D731,659 S**  
(45) **Date of Patent:** **\*\* Jun. 9, 2015**

(54) **SLEEP APPLIANCE**

(71) Applicant: **Gurdev Dave Singh**, Portland, OR (US)

(72) Inventor: **Gurdev Dave Singh**, Portland, OR (US)

(\*\*) Term: **14 Years**

(21) Appl. No.: **29/450,525**

(22) Filed: **Mar. 19, 2013**

(51) **LOC (10) Cl.** ..... **24-00**

(52) **U.S. Cl.**  
USPC ..... **D24/180; D24/231**

(58) **Field of Classification Search**  
USPC ..... D24/231, 184, 135, 155–156, 176–178,  
D24/180–182; D8/394, 354, 370; 128/861,  
128/200.26, 860, 848, 859; 433/2, 5–8, 11,  
433/18–24, 173, 219

See application file for complete search history.

7,661,955	B2 *	2/2010	Da Cruz	.....	433/7
D618,806	S *	6/2010	Gelb	.....	D24/181
7,832,404	B2 *	11/2010	Jansheski	.....	128/859
D636,084	S *	4/2011	Troester	.....	D24/180
D639,439	S *	6/2011	Raad	.....	D24/180
D639,440	S *	6/2011	Raad	.....	D24/180
D641,478	S *	7/2011	Belvedere et al.	.....	D24/180
D645,149	S *	9/2011	Roggenkamp	.....	D24/184
D645,150	S *	9/2011	Roggenkamp	.....	D24/184
D645,151	S *	9/2011	Roggenkamp	.....	D24/184
D645,152	S *	9/2011	Roggenkamp	.....	D24/184
D648,031	S *	11/2011	Roggenkamp	.....	D24/184
D650,082	S *	12/2011	Roggenkamp	.....	D24/184
D650,483	S *	12/2011	Roggenkamp	.....	D24/184
D650,655	S *	12/2011	Wester	.....	D8/354
8,100,131	B2 *	1/2012	Swann et al.	.....	128/861
D655,419	S *	3/2012	Roggenkamp	.....	D24/184
D663,430	S *	7/2012	Rapp et al.	.....	D24/186

(Continued)

*Primary Examiner* — Ian Simmons

*Assistant Examiner* — Rhea Shields

(74) *Attorney, Agent, or Firm* — Peter A Haas Esquire LLC

(56) **References Cited**

**U.S. PATENT DOCUMENTS**

4,607,625	A *	8/1986	Schenck	.....	606/55
D290,503	S *	6/1987	Collins, Jr.	.....	D24/180
D302,036	S *	7/1989	George	.....	D24/110
D303,834	S *	10/1989	Collins, Jr.	.....	D24/180
4,976,275	A *	12/1990	Dixon	.....	128/860
D322,674	S *	12/1991	Bergersen	.....	D24/180
D342,318	S *	12/1993	Moffat	.....	D24/180
D354,569	S *	1/1995	Hilgers	.....	D24/180
D538,434	S *	3/2007	White	.....	D24/180
D568,994	S *	5/2008	Kumar et al.	.....	D24/135
D569,519	S *	5/2008	White	.....	D24/180
D570,486	S *	6/2008	White	.....	D24/180
D582,557	S *	12/2008	Inman	.....	D24/180
7,581,542	B2 *	9/2009	Abramson	.....	128/848
D603,515	S *	11/2009	Blackwell et al.	.....	D24/164
D605,305	S *	12/2009	Carter	.....	D24/231

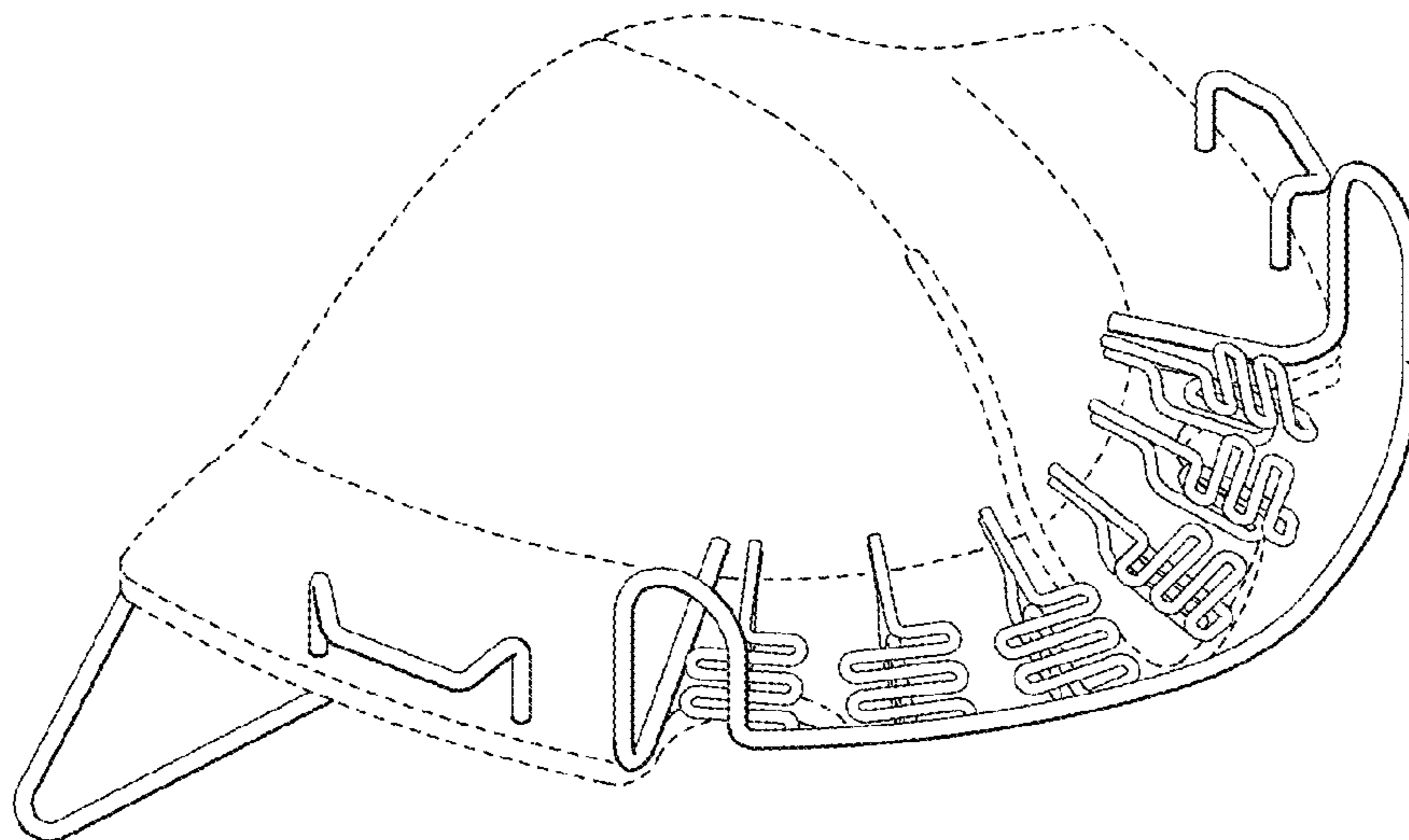
(57) **CLAIM**

The ornamental design for a sleep appliance, as shown and described.

**DESCRIPTION**

FIG. 1 is an offset top frontal view of a sleep appliance. FIG. 2 is a top view of the sleep appliance of FIG. 1. FIG. 3 is a bottom view of the sleep appliance of FIG. 1. FIG. 4 is a front view of the sleep appliance of FIG. 1. FIG. 5 is a back view of the sleep appliance of FIG. 1. FIG. 6 is a left side view of the sleep appliance of FIG. 1; and, FIG. 7 is a right side view of the sleep appliance of FIG. 1. In the drawings, the broken lines depict environmental subject matter only and form no part of the claimed design.

**1 Claim, 3 Drawing Sheets**



(56)

**References Cited**

U.S. PATENT DOCUMENTS

8,302,597	B2 *	11/2012	Beely et al. ....	128/200.26	D687,291	S *	8/2013	Hendricks .....	D8/394
8,371,309	B2 *	2/2013	Diers .....	128/848	D699,556	S *	2/2014	Hendricks .....	D8/394
D677,378	S *	3/2013	Hughes .....	D24/110.5	D704,843	S *	5/2014	Singh .....	D24/180
D685,098	S *	6/2013	Tompkins .....	D24/180	D713,530	S *	9/2014	Singh .....	D24/180
D686,726	S *	7/2013	Stein .....	D24/110.5	2003/0013062	A1 *	1/2003	White .....	433/21
					2007/0264605	A1 *	11/2007	Belfor et al. ....	433/6
					2011/0269095	A1 *	11/2011	Singh .....	433/24
					2014/0363778	A1 *	12/2014	Parker .....	433/3

\* cited by examiner

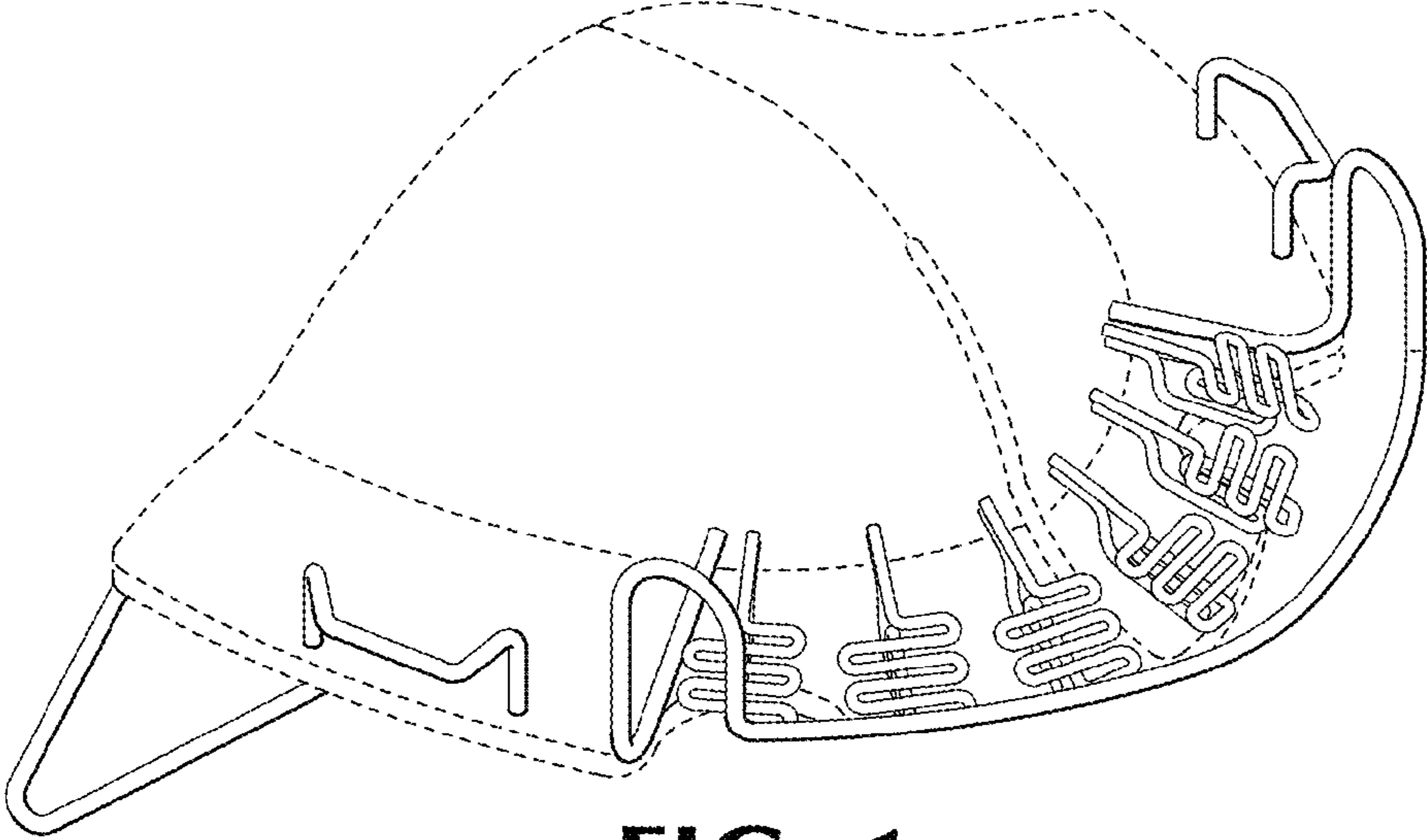


FIG. 1

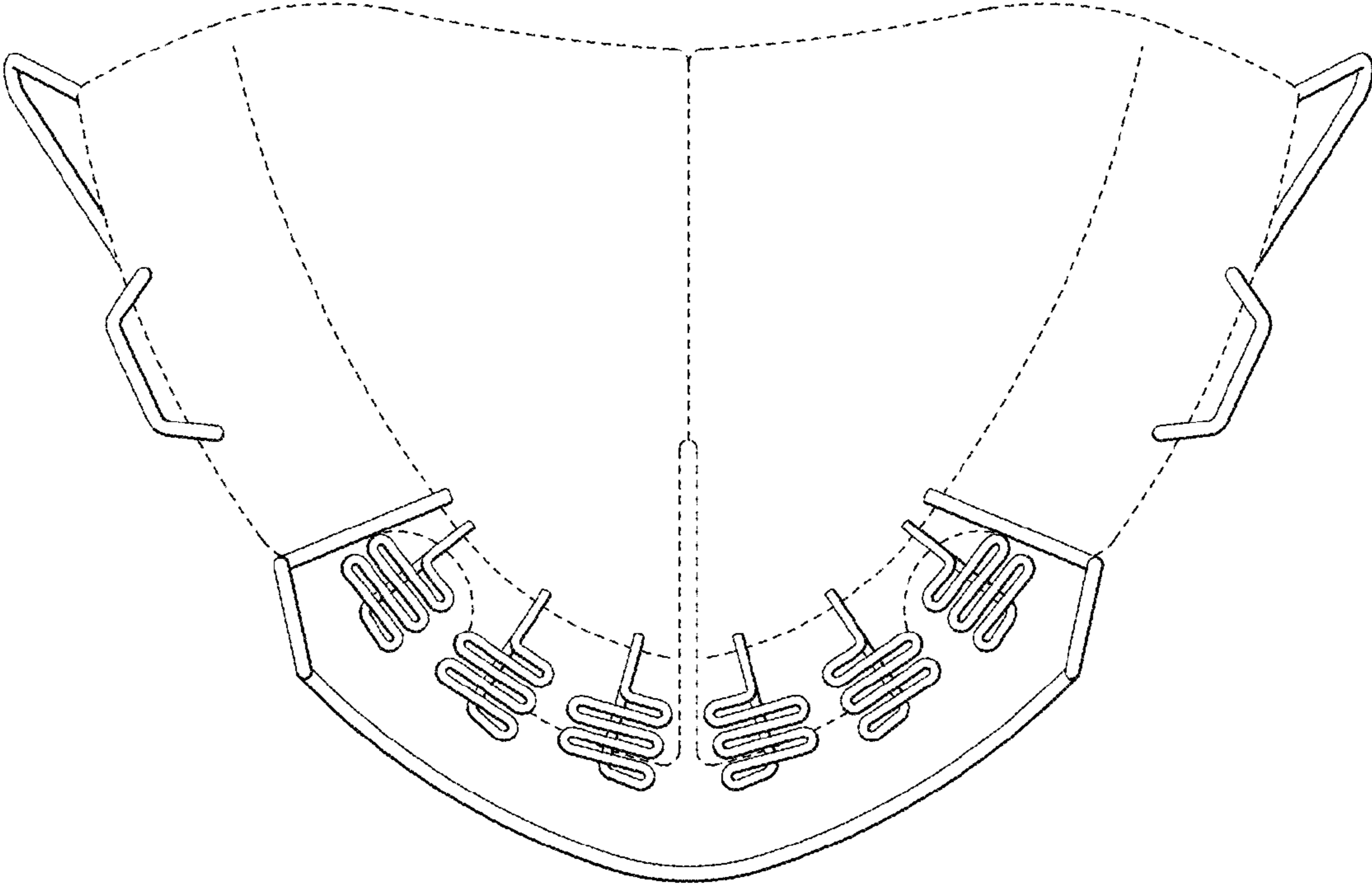


FIG. 2

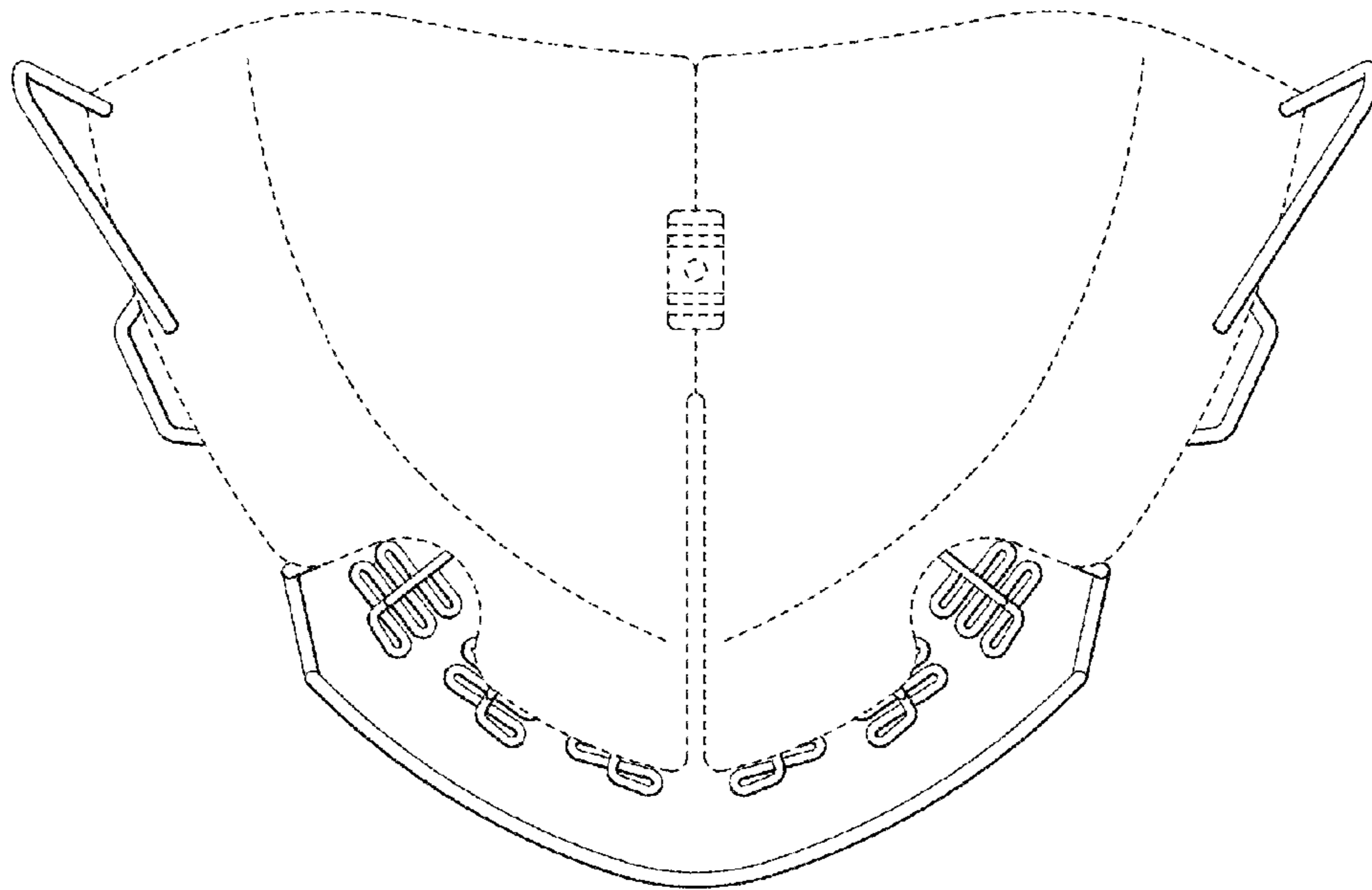


FIG. 3

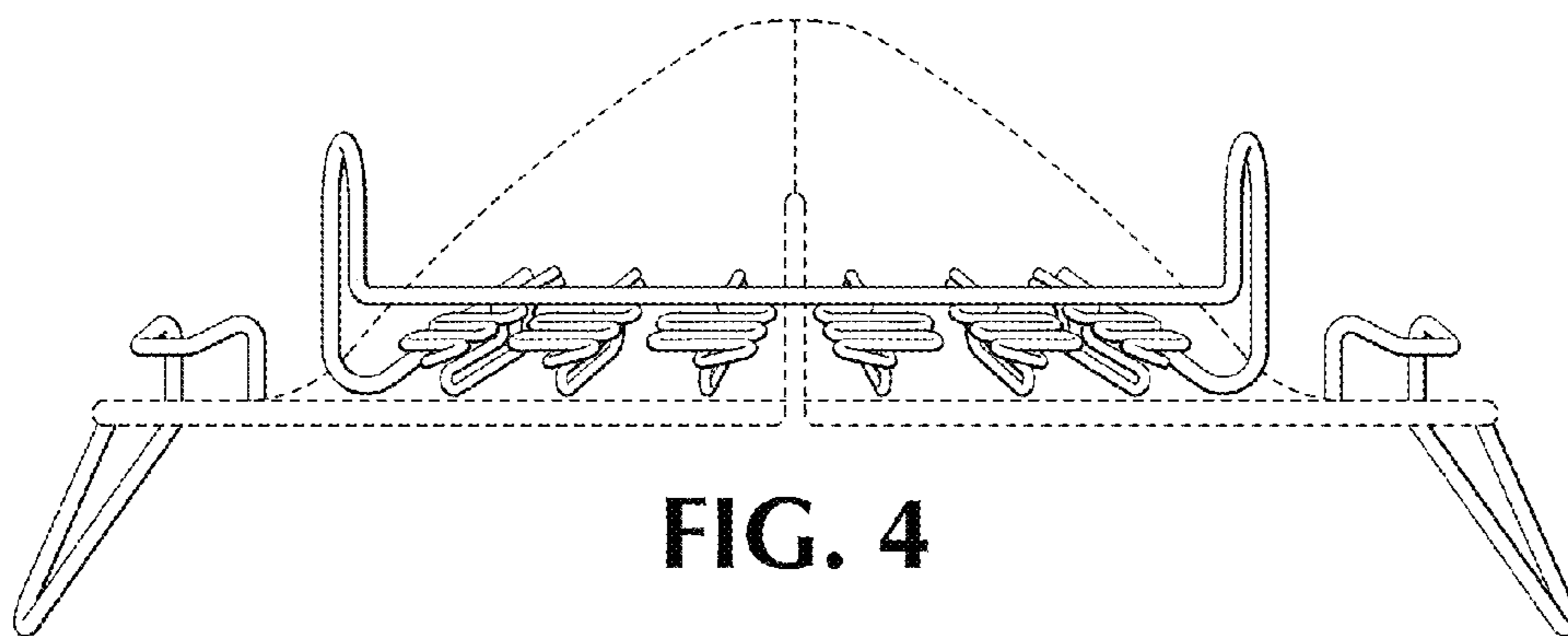
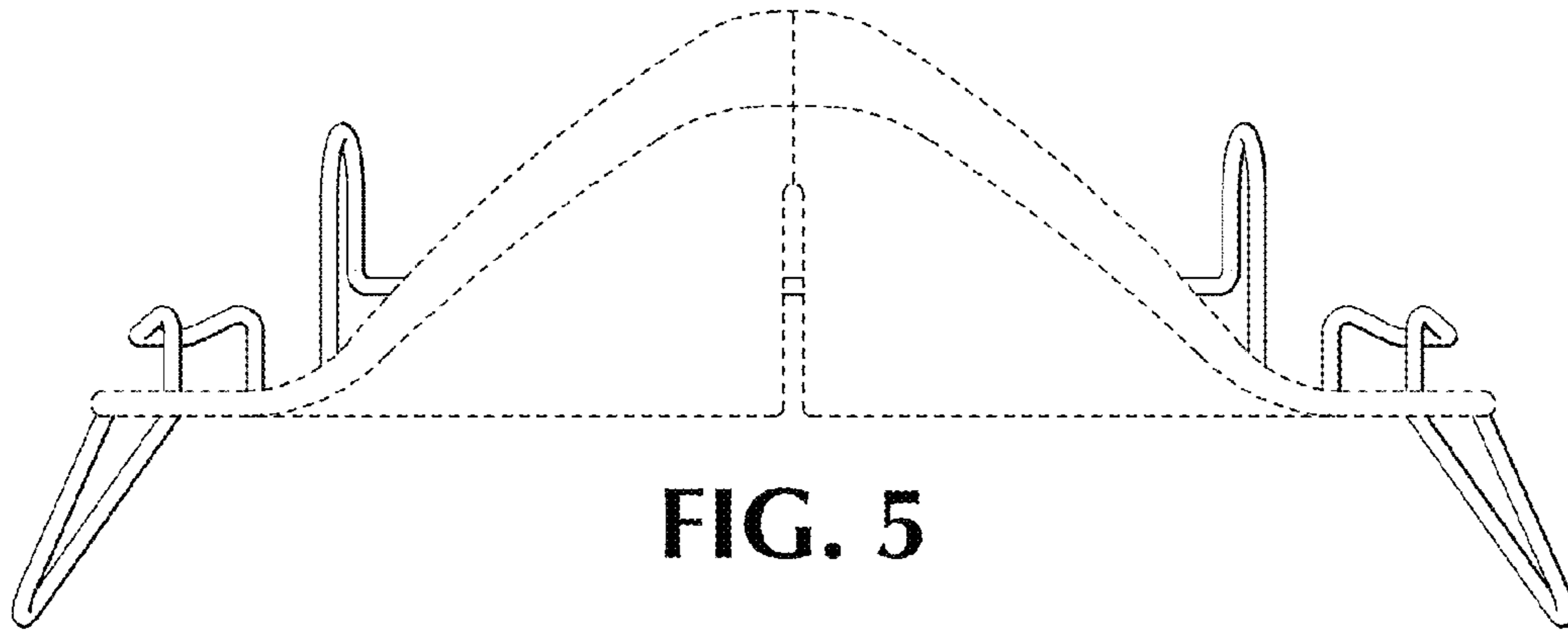
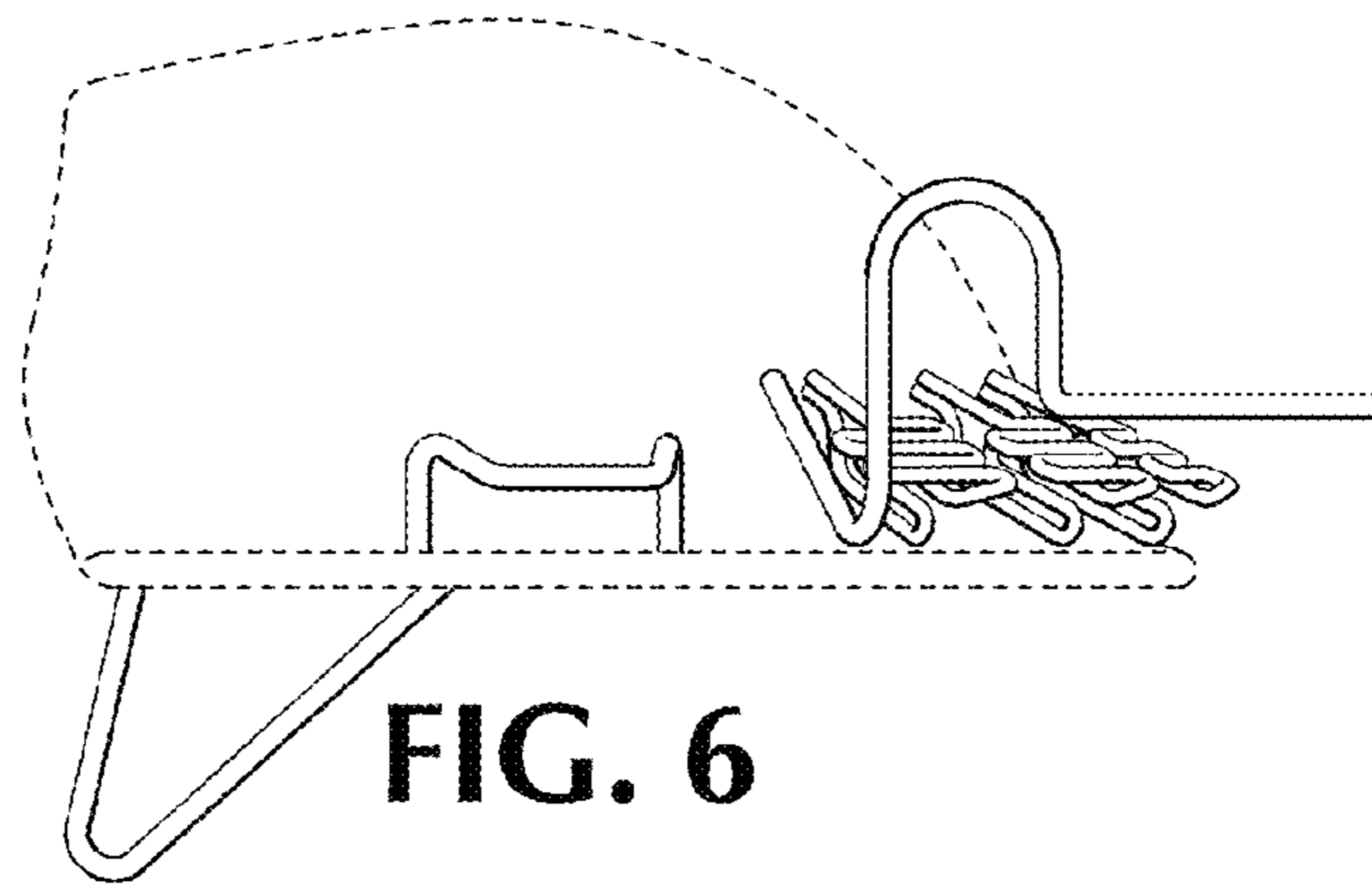


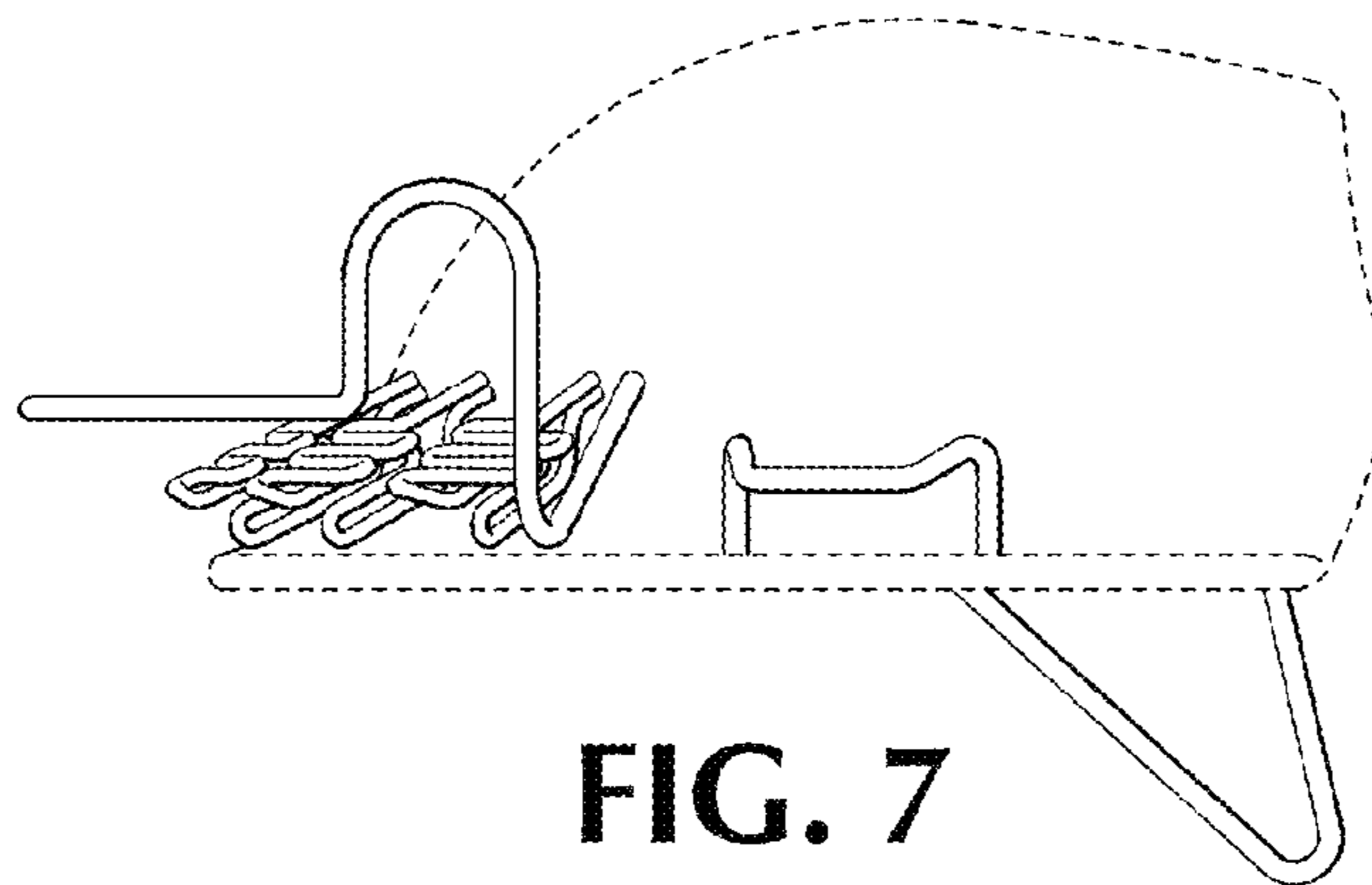
FIG. 4



**FIG. 5**



**FIG. 6**



**FIG. 7**