



US00D731656S

(12) **United States Design Patent**
Baxley

(10) **Patent No.:** **US D731,656 S**
(45) **Date of Patent:** **** Jun. 9, 2015**

(54) **IMAGE RECEPTOR SUPPORT DEVICE**

6,320,379 B1 * 11/2001 Young 600/421
D540,949 S * 4/2007 Sundstrom D24/183
D625,011 S * 10/2010 Hirabayashi D24/158

(71) Applicant: **Alicia Baxley**, Tucson, AZ (US)

* cited by examiner

(72) Inventor: **Alicia Baxley**, Tucson, AZ (US)

Primary Examiner — Anhdao Doan

(**) Term: **14 Years**

(74) *Attorney, Agent, or Firm* — Invention To Patent Services; Alex Hobson

(21) Appl. No.: **29/462,641**

(22) Filed: **Aug. 6, 2013**

(57) **CLAIM**

(51) **LOC (10) Cl.** **24-01**

The ornamental design for an image receptor support device, as shown and described.

(52) **U.S. Cl.**

USPC **D24/158**

DESCRIPTION

(58) **Field of Classification Search**

USPC D24/158–161, 185, 186, 183, 184;
378/4, 15, 17, 21, 23–27, 62, 68,
378/196–198, 37, 204, 208; 600/407, 409,
600/410, 415, 421, 422, 425

FIG. 1 is a perspective view of an image receptor support device configured in a mammogram device;
FIG. 2 is a perspective view of an image receptor support device configured in a portion of a mammogram device;
FIG. 3 is a top-down view of an image receptor support device; and,
FIG. 4 is a side view of the front side an image receptor support device.

See application file for complete search history.

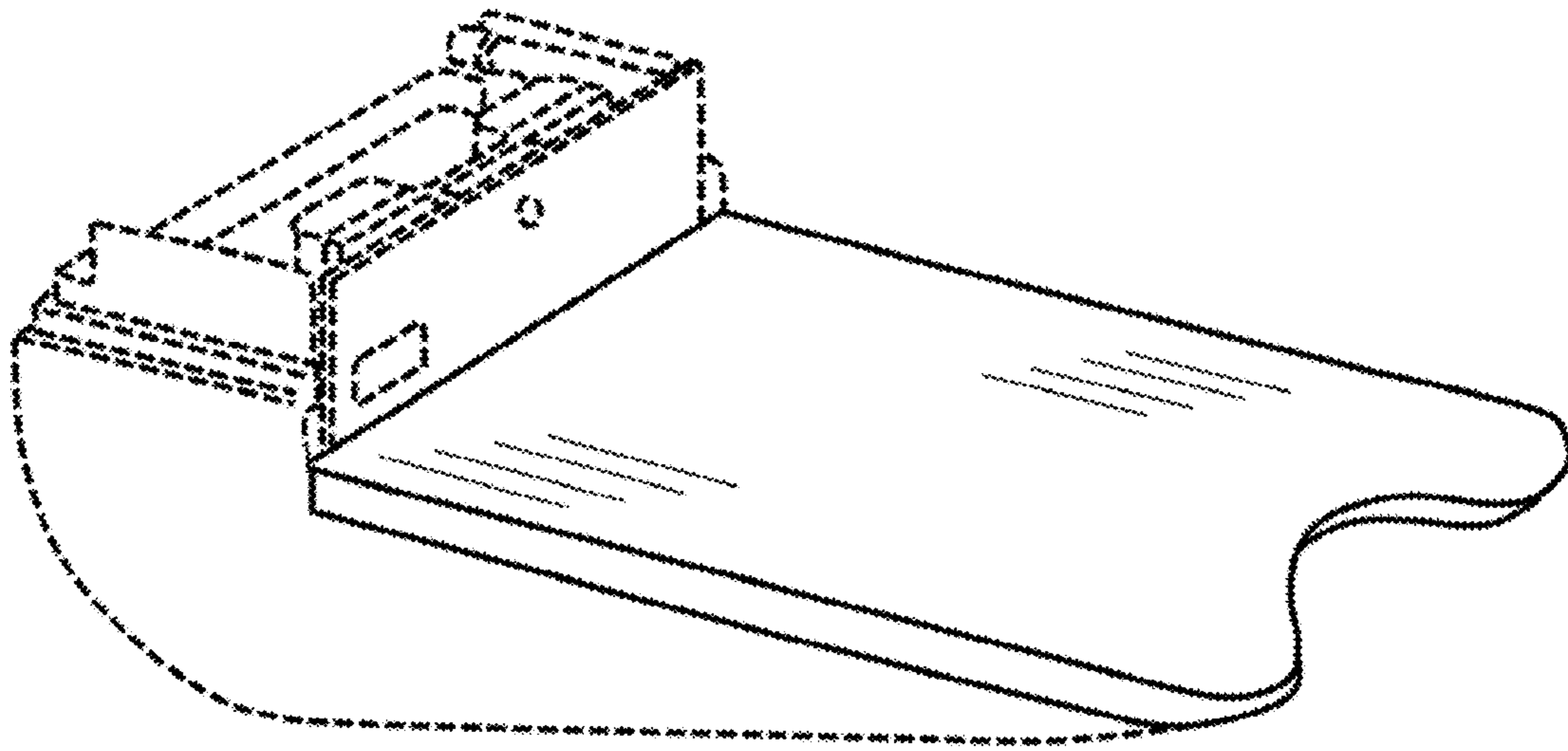
The mammogram device shown in FIGS. 1 and 2 is shown in broken lines and forms no part of the claimed design.

(56) **References Cited**

U.S. PATENT DOCUMENTS

4,259,585 A * 3/1981 Novak et al. 378/37
4,943,986 A * 7/1990 Barbarisi 378/37
4,943,991 A * 7/1990 Mosby 378/37

1 Claim, 3 Drawing Sheets



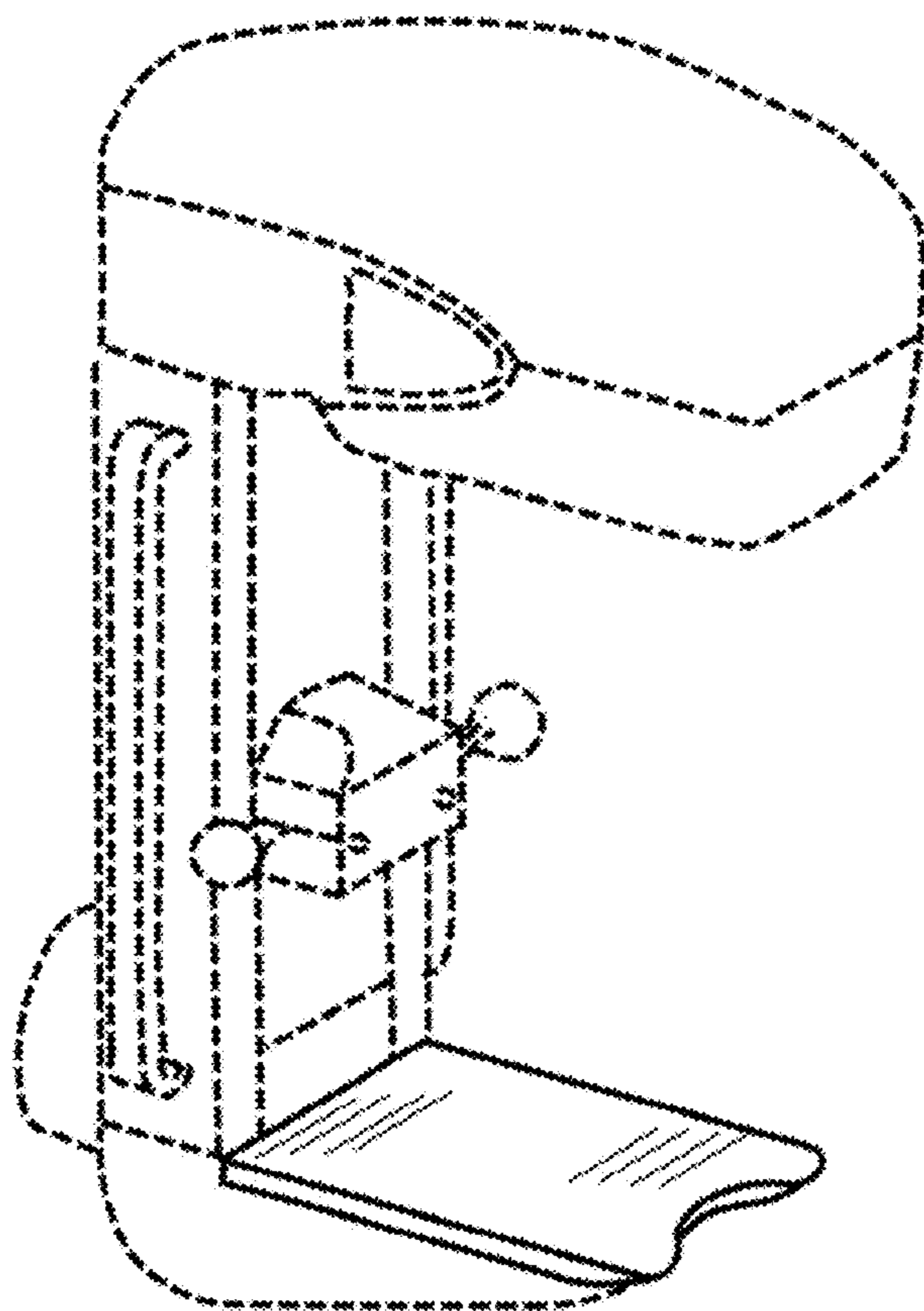


FIG. 1

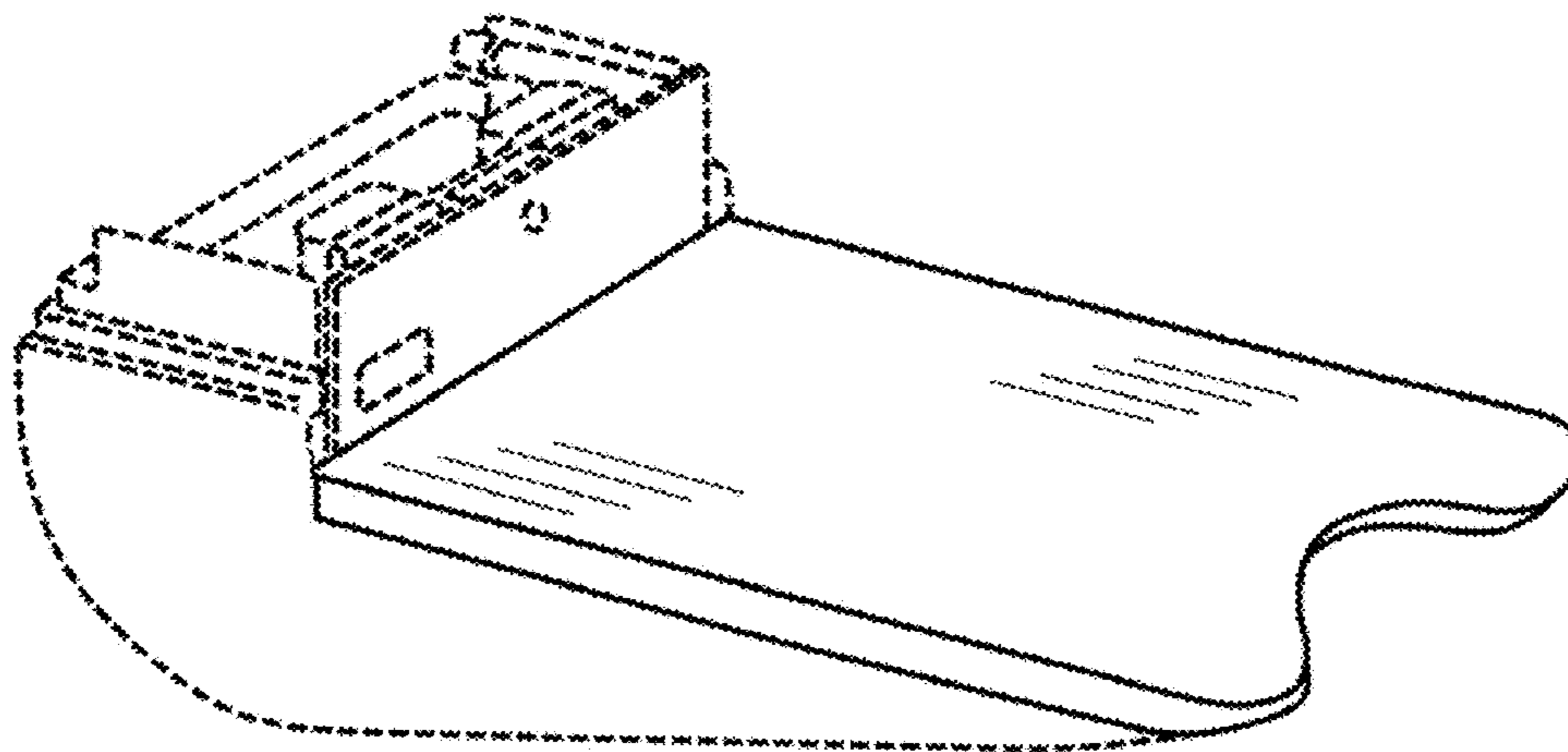


FIG. 2

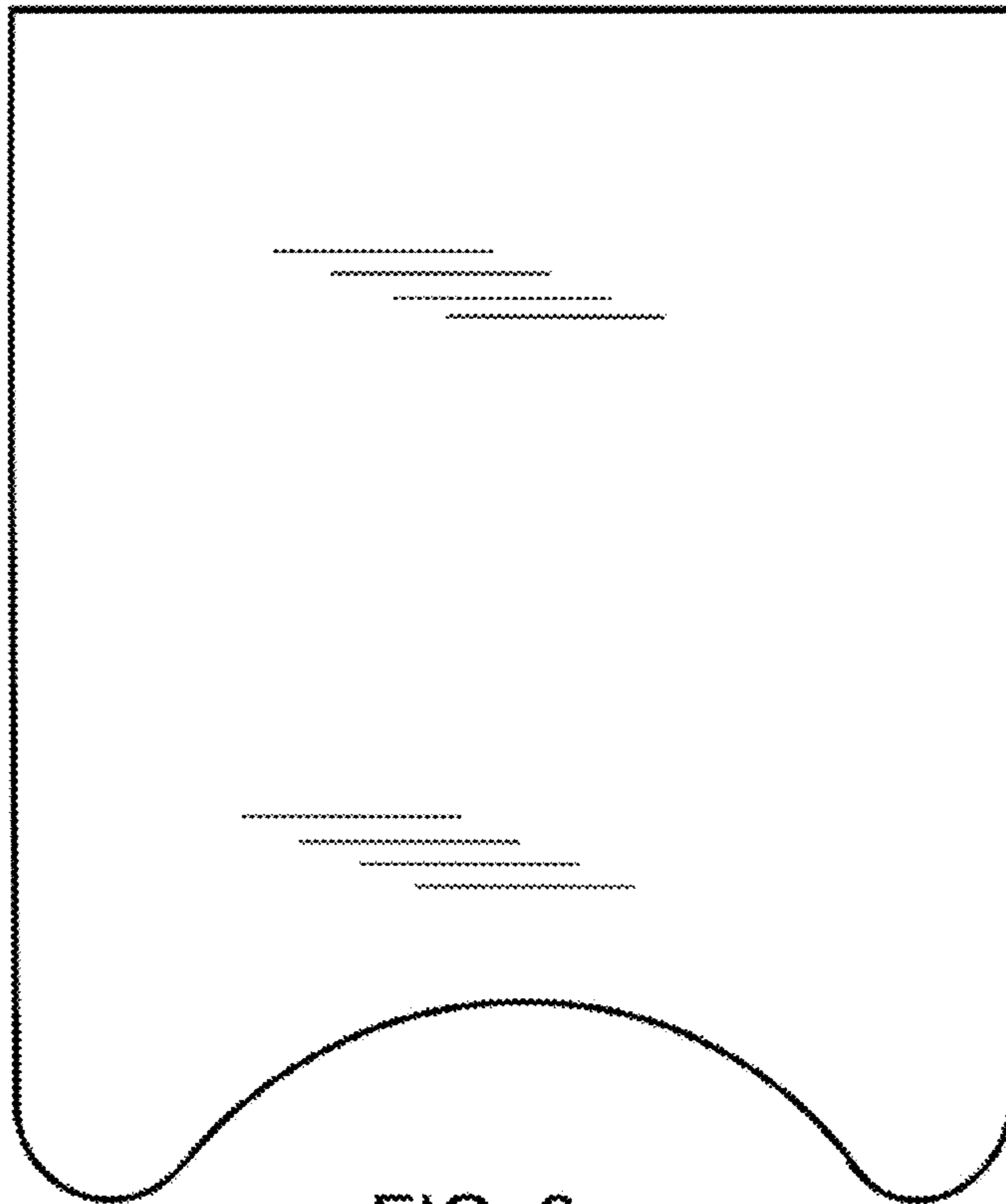


FIG. 3

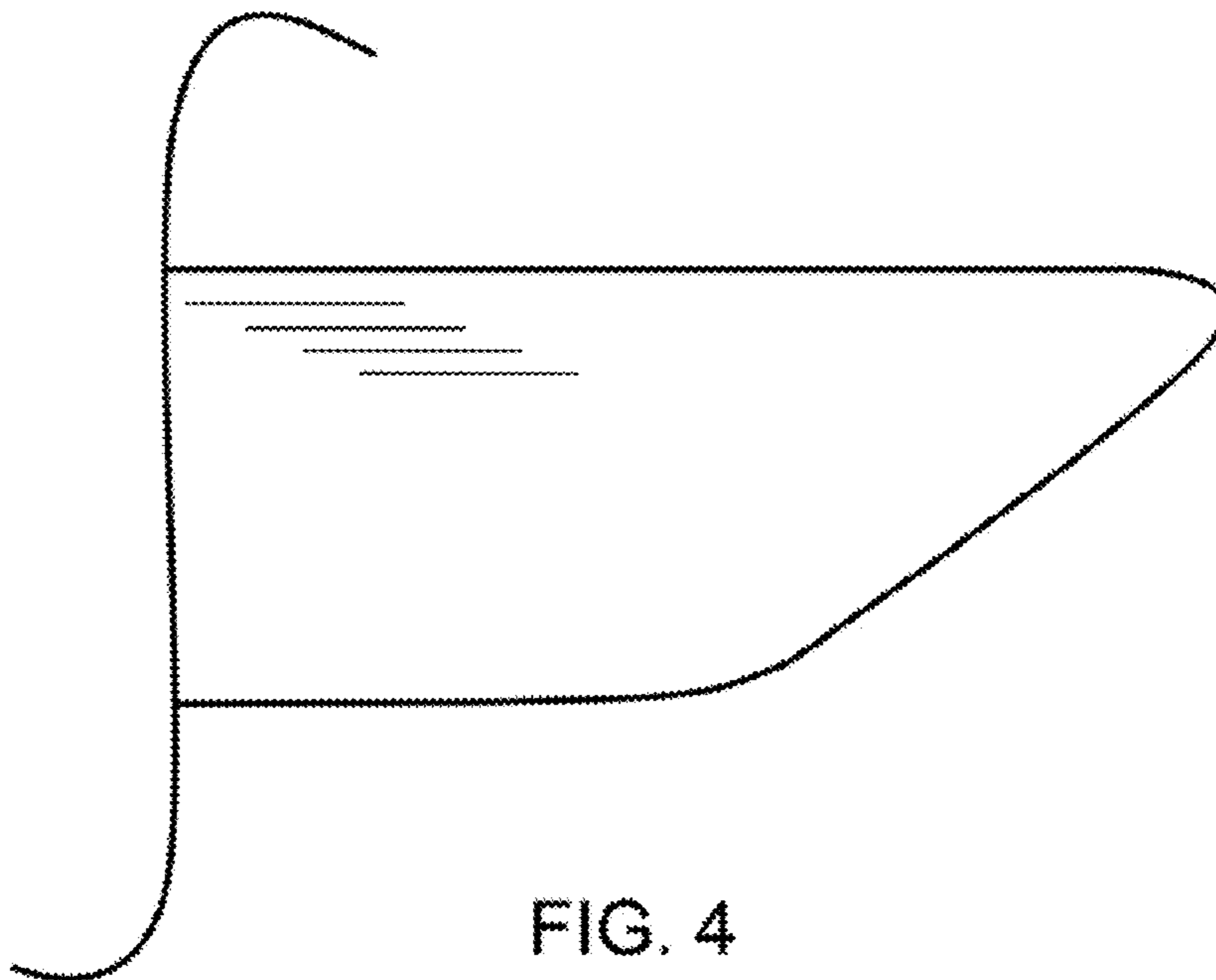


FIG. 4