



US00D731655S

(12) **United States Design Patent**
Lui

(10) **Patent No.:** **US D731,655 S**
(45) **Date of Patent:** **** Jun. 9, 2015**

- (54) **DENTAL IMPLANT ABUTMENT**
- (71) Applicant: **Benedict Lui**, Mississauga (CA)
- (72) Inventor: **Benedict Lui**, Mississauga (CA)
- (**) Term: **14 Years**
- (21) Appl. No.: **29/449,906**
- (22) Filed: **Mar. 15, 2013**
- (51) **LOC (10) Cl.** **24-02**
- (52) **U.S. Cl.**
USPC **D24/156**
- (58) **Field of Classification Search**
USPC D24/155–156, 176; D8/387; D15/21,
D15/28; 433/172–174; 623/17.16, 17.17,
623/11.11, 23.26, 23.27; 606/304, 74
See application file for complete search history.

- D493,535 S * 7/2004 Whitehead D24/156
- D507,052 S * 7/2005 Wohrle D24/156
- D511,833 S * 11/2005 Wohrle D24/156
- 7,014,464 B2 3/2006 Niznick
- 7,059,856 B2 6/2006 Marotta
- D528,210 S * 9/2006 Boettcher D24/156
- 7,112,063 B2 9/2006 Bulard
- 7,249,949 B2 7/2007 Carter
- 7,309,231 B2 12/2007 Engman

(Continued)

FOREIGN PATENT DOCUMENTS

- EP 0636347 B1 12/1998
- EP 0801544 B1 12/1998

(Continued)

Primary Examiner — Ian Simmons
Assistant Examiner — Charles Hanson
 (74) *Attorney, Agent, or Firm* — Ledgley Law; Cynthia J. Ledgley

(56) **References Cited**
U.S. PATENT DOCUMENTS

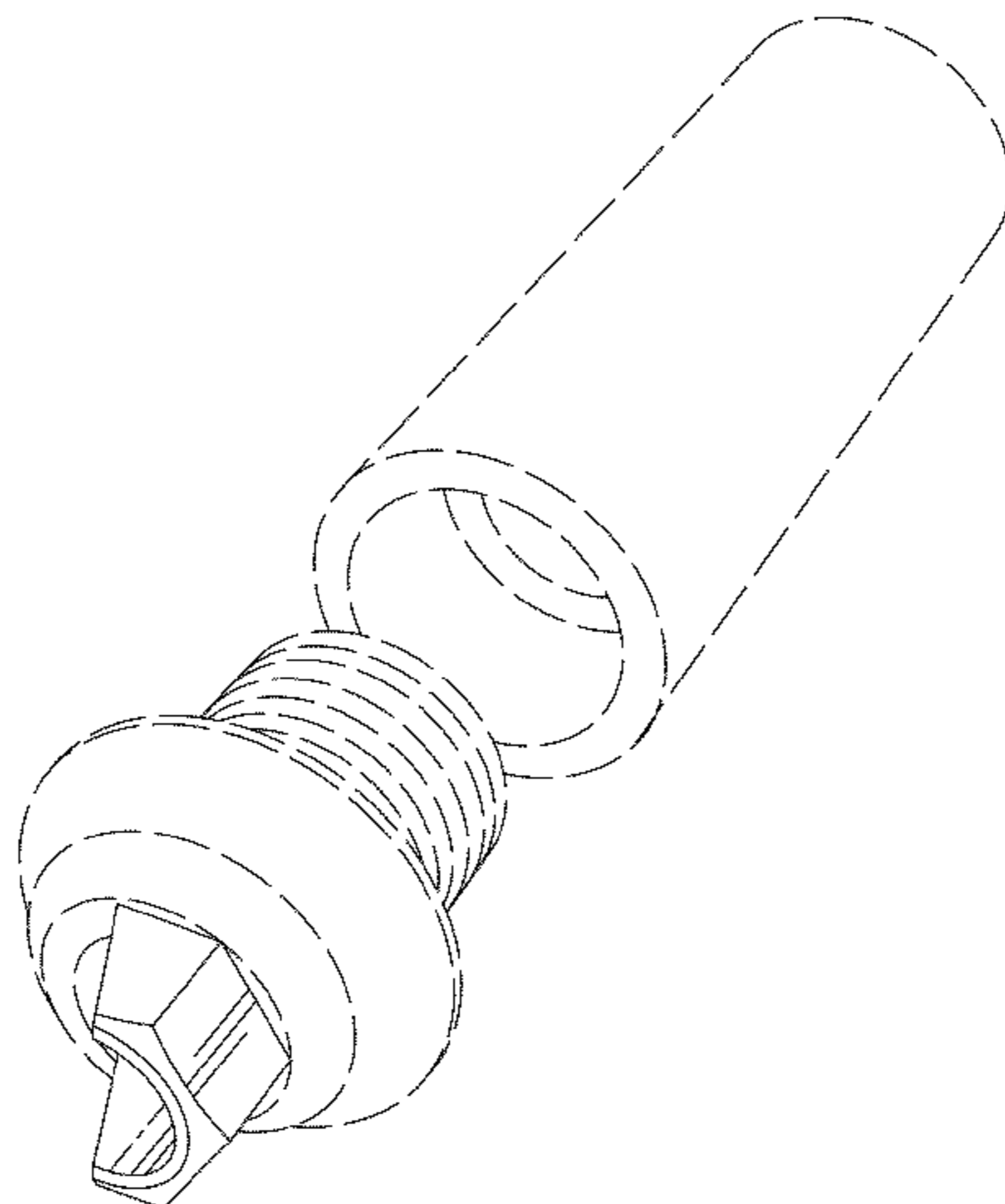
- D296,362 S 6/1988 Branemark
- 4,960,381 A 10/1990 Niznick
- 5,116,225 A 5/1992 Riera
- 5,125,840 A 6/1992 Dürr et al.
- 5,169,309 A 12/1992 Staubli et al.
- 5,195,892 A 3/1993 Gersberg
- D356,869 S * 3/1995 Holmen et al. D24/156
- 5,433,606 A 7/1995 Niznick et al.
- D362,720 S * 9/1995 Holmen et al. D24/155
- 5,449,291 A 9/1995 Lueschen et al.
- 5,674,069 A * 10/1997 Osorio 433/172
- 5,779,480 A * 7/1998 Groll et al. 433/173
- 5,823,776 A 10/1998 Duerr et al.
- 5,984,680 A 11/1999 Rogers
- 5,993,213 A 11/1999 Frischherz et al.
- 6,024,567 A * 2/2000 Callan 433/173
- D441,448 S * 5/2001 Kumar D24/156
- 6,648,643 B2 11/2003 Hollander et al.
- 6,663,388 B1 12/2003 Schär et al.
- 6,672,872 B2 1/2004 Cottrell
- D486,914 S * 2/2004 Schuller et al. D24/156
- 6,726,480 B1 4/2004 Sutter

(57) **CLAIM**
I claim the ornamental design for a dental implant abutment, as shown and described.

DESCRIPTION

FIG. 1 is a front perspective view of a dental implant abutment, showing my new design;
 FIG. 2 is a front view of the dental implant abutment shown in FIG. 1, showing my new design;
 FIG. 3 is a top plan view of the dental implant abutment shown in FIG. 1, showing my new design;
 FIG. 4 is a bottom plan view of the dental implant abutment shown in FIG. 1, showing my new design;
 FIG. 5 is a left side view of the dental implant abutment shown in FIG. 1, showing my new design; and,
 FIG. 6 is a right side view of the dental implant abutment shown in FIG. 1, showing my new design.
 The broken lines in the drawing depict environmental subject matter only and form no part of the claimed design.

1 Claim, 2 Drawing Sheets



(56)

References Cited

U.S. PATENT DOCUMENTS

D562,453 S 2/2008 Rassoli
 D562,455 S 2/2008 Rassoli
 D567,947 S * 4/2008 Lerner et al. D24/156
 D580,059 S * 11/2008 Boettcher D24/156
 D582,042 S 12/2008 Purga et al.
 D587,372 S 2/2009 Mundwiler et al.
 D587,373 S * 2/2009 Purga et al. D24/156
 D611,603 S * 3/2010 Noguchi D24/156
 D611,604 S * 3/2010 Aoyagi D24/156
 D616,097 S * 5/2010 Johnson et al. D24/156
 7,780,448 B2 8/2010 Kim
 D641,877 S 7/2011 Aldecoa
 D642,271 S 7/2011 Anitua Aldecoa
 D646,786 S 10/2011 Anitua Aldecoa
 8,029,282 B2 10/2011 Carter
 8,038,442 B2 10/2011 Hurson
 D652,929 S * 1/2012 Sibhatu et al. D24/156
 8,123,524 B2 2/2012 Anitua Aldecoa
 D663,032 S * 7/2012 Mashio et al. D24/156
 D663,419 S * 7/2012 Mashio et al. D24/156
 D667,955 S * 9/2012 Spahn D24/156
 8,267,687 B2 9/2012 Kast et al.
 8,272,870 B2 9/2012 Esposti et al.
 8,328,556 B2 12/2012 Scommegna et al.
 2003/0143514 A1 7/2003 Peltier
 2007/0037122 A1 2/2007 Bassett et al.
 2007/0037123 A1 2/2007 Mansueto et al.
 2008/0153066 A1 6/2008 Schlusset et al.
 2008/0274440 A1 11/2008 Smith et al.
 2009/0117521 A1 5/2009 Candel Amoros et al.

2010/0203476 A1 8/2010 Studer et al.
 2010/0311012 A1 12/2010 Bar Shalom
 2011/0123947 A1 5/2011 Borel et al.
 2011/0123948 A1 5/2011 Hinrichsen
 2011/0306013 A1 12/2011 Boehlen
 2012/0171638 A1 7/2012 Guenter et al.
 2012/0202170 A1 8/2012 Johnson et al.
 2012/0214132 A1 8/2012 Takahashi et al.
 2012/0301850 A1 11/2012 Sollberger et al.
 2012/0322030 A1 12/2012 Fromovich
 2013/0004915 A1 1/2013 Bellanca et al.
 2013/0022941 A1 1/2013 Tramonte et al.

FOREIGN PATENT DOCUMENTS

EP 0960604 A1 12/1999
 EP 0763350 B1 9/2001
 EP 1034750 B1 10/2005
 EP 1003438 B1 12/2005
 EP 1763324 A1 3/2007
 EP 1948067 A1 7/2008
 EP 2057963 A1 5/2009
 EP 1763324 B1 11/2009
 EP 2152190 A1 2/2010
 EP 2215989 A1 8/2010
 EP 2022443 B1 9/2010
 EP 2260788 A2 12/2010
 EP 1419746 B1 6/2011
 EP 2266498 B1 1/2012
 EP 1656904 B1 4/2012
 EP 1948067 B1 1/2013
 EP 2543338 A1 1/2013

* cited by examiner

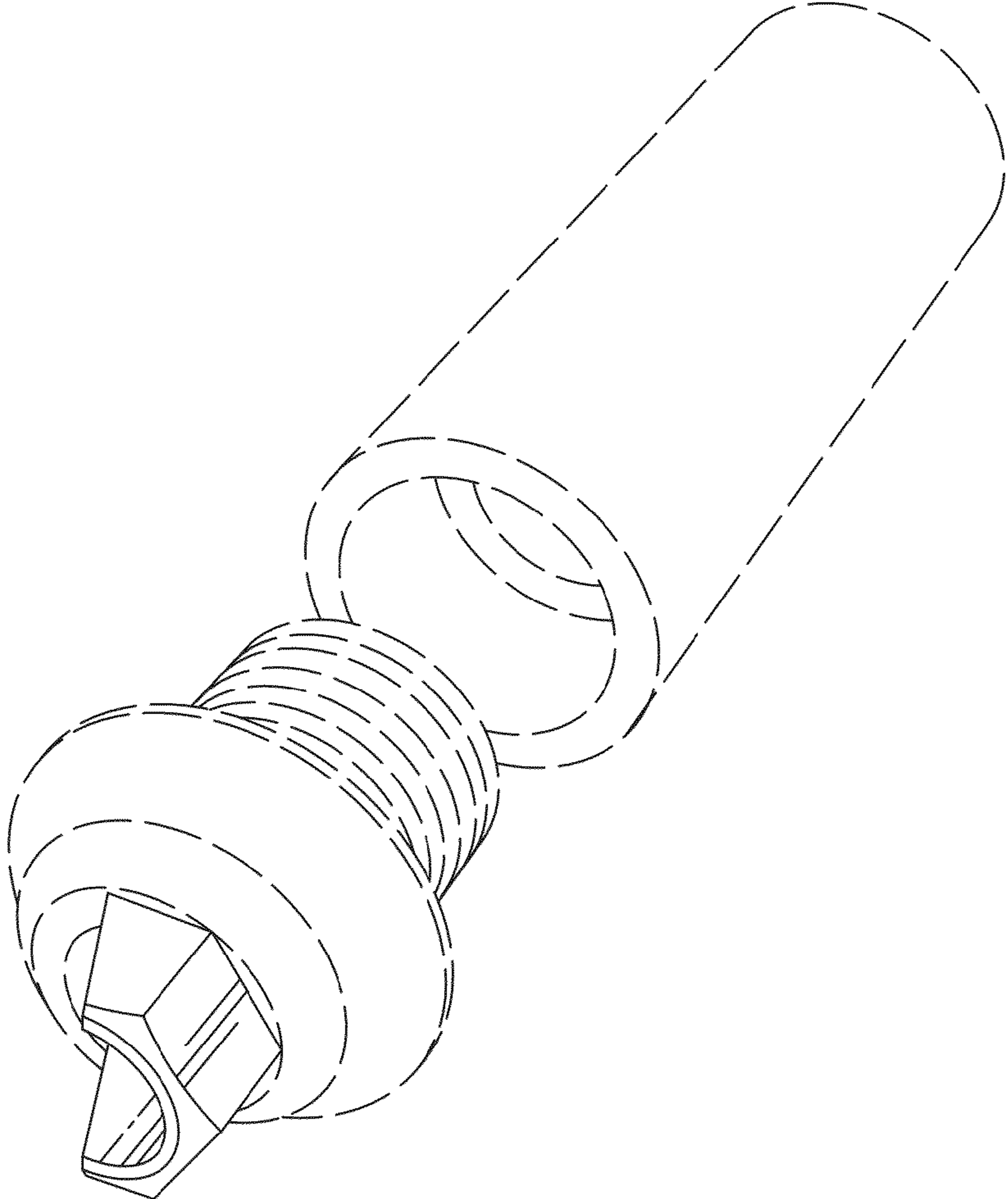


FIG. 1

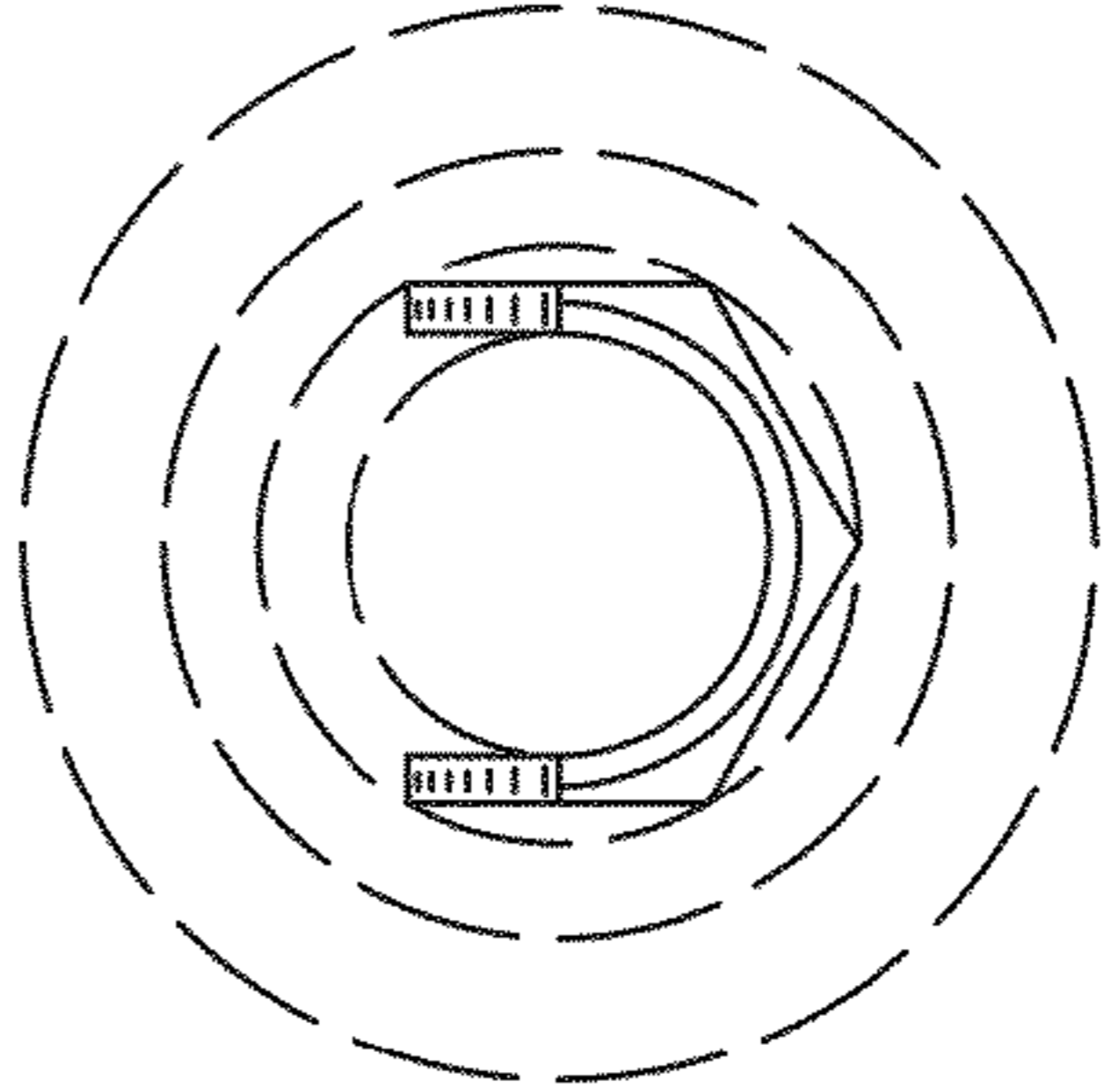


FIG. 2

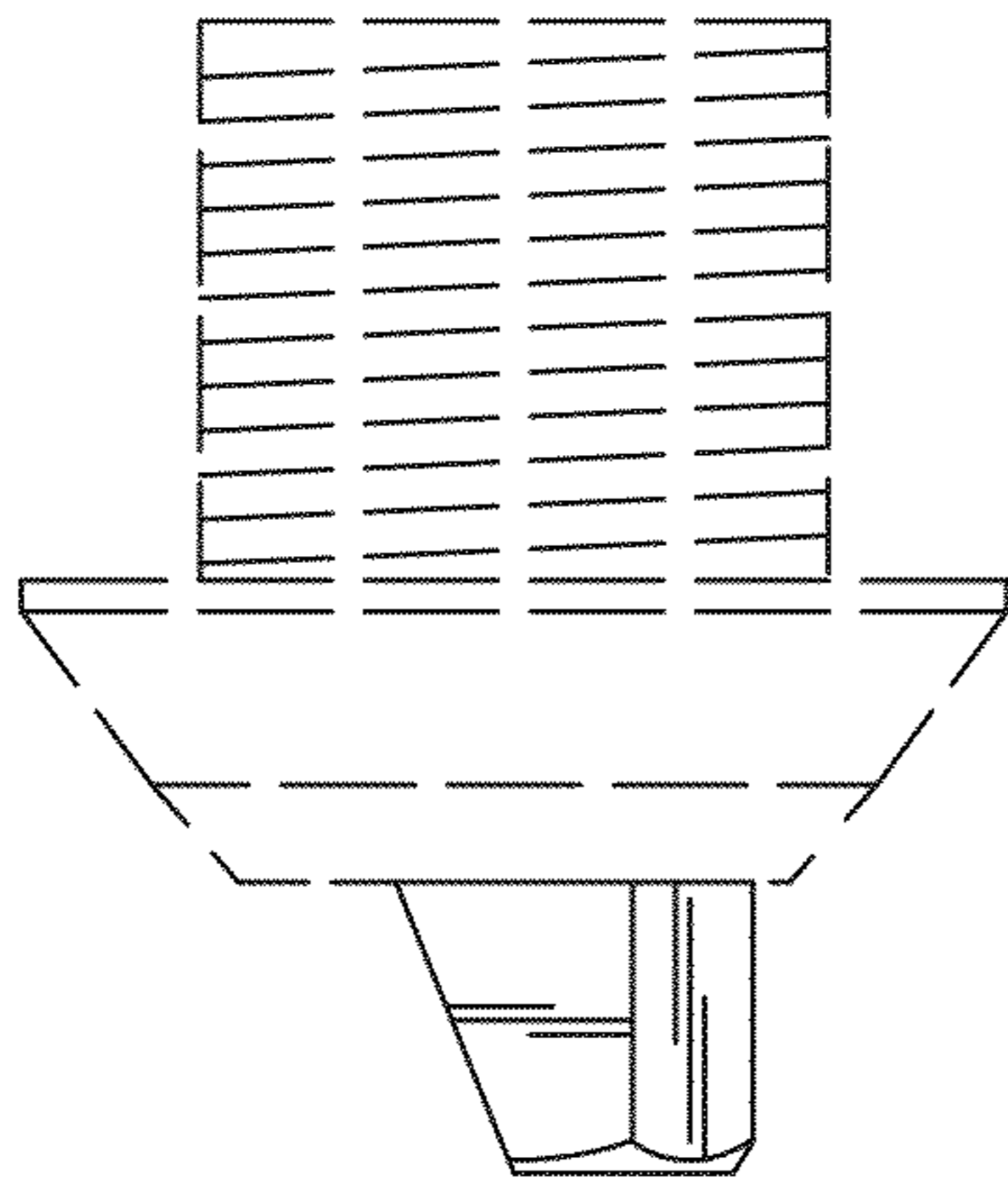


FIG. 3

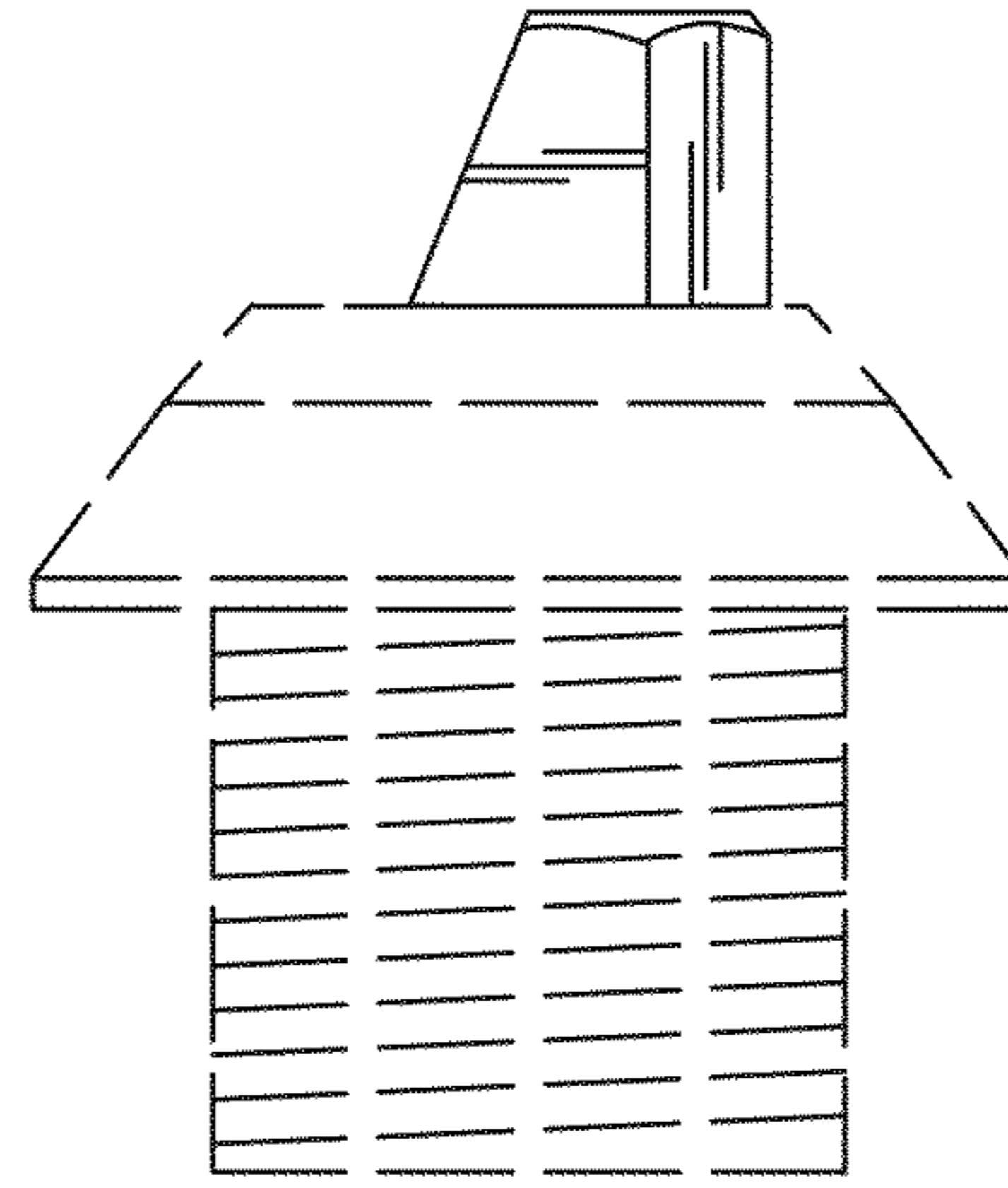


FIG. 4

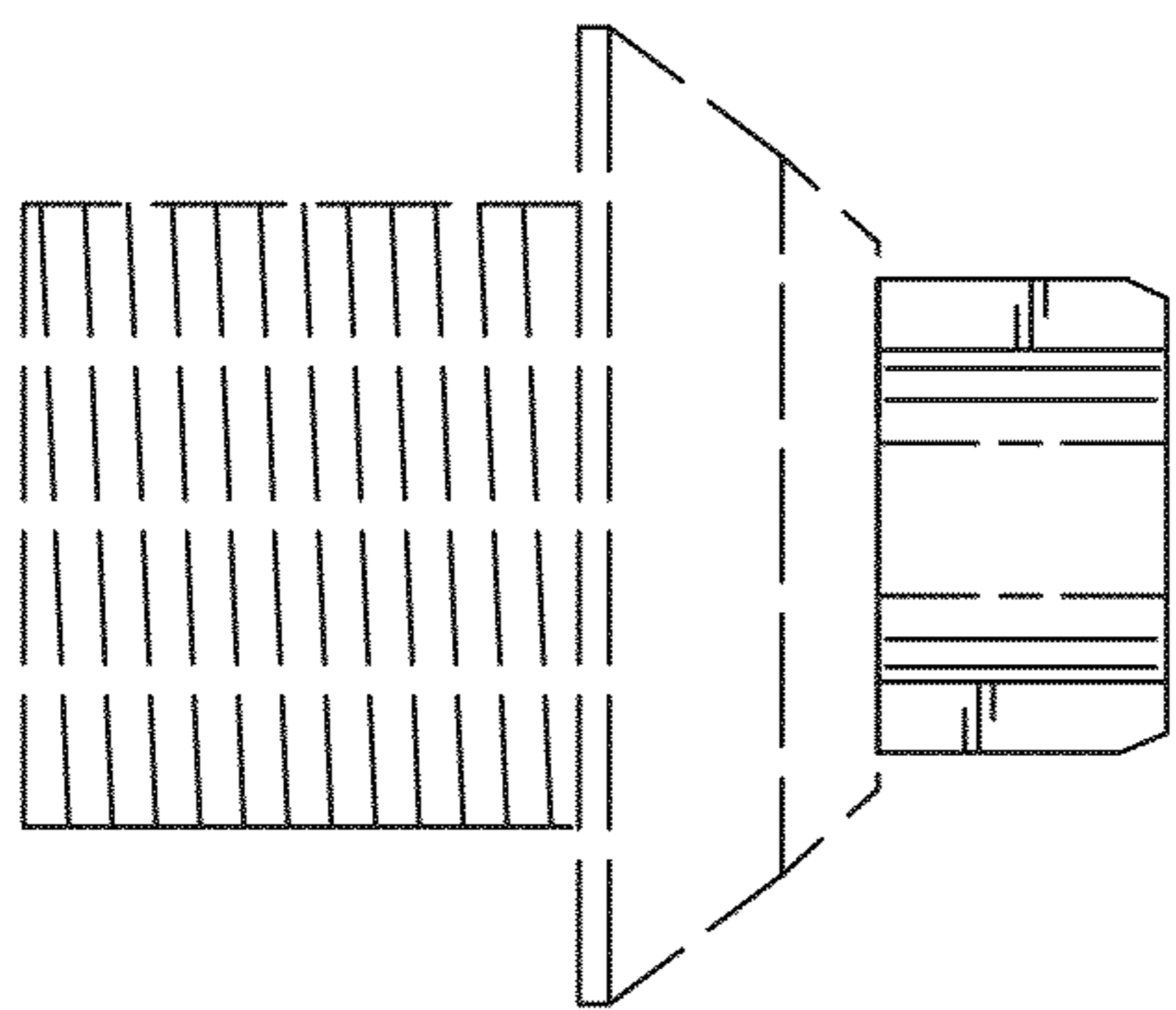


FIG. 5

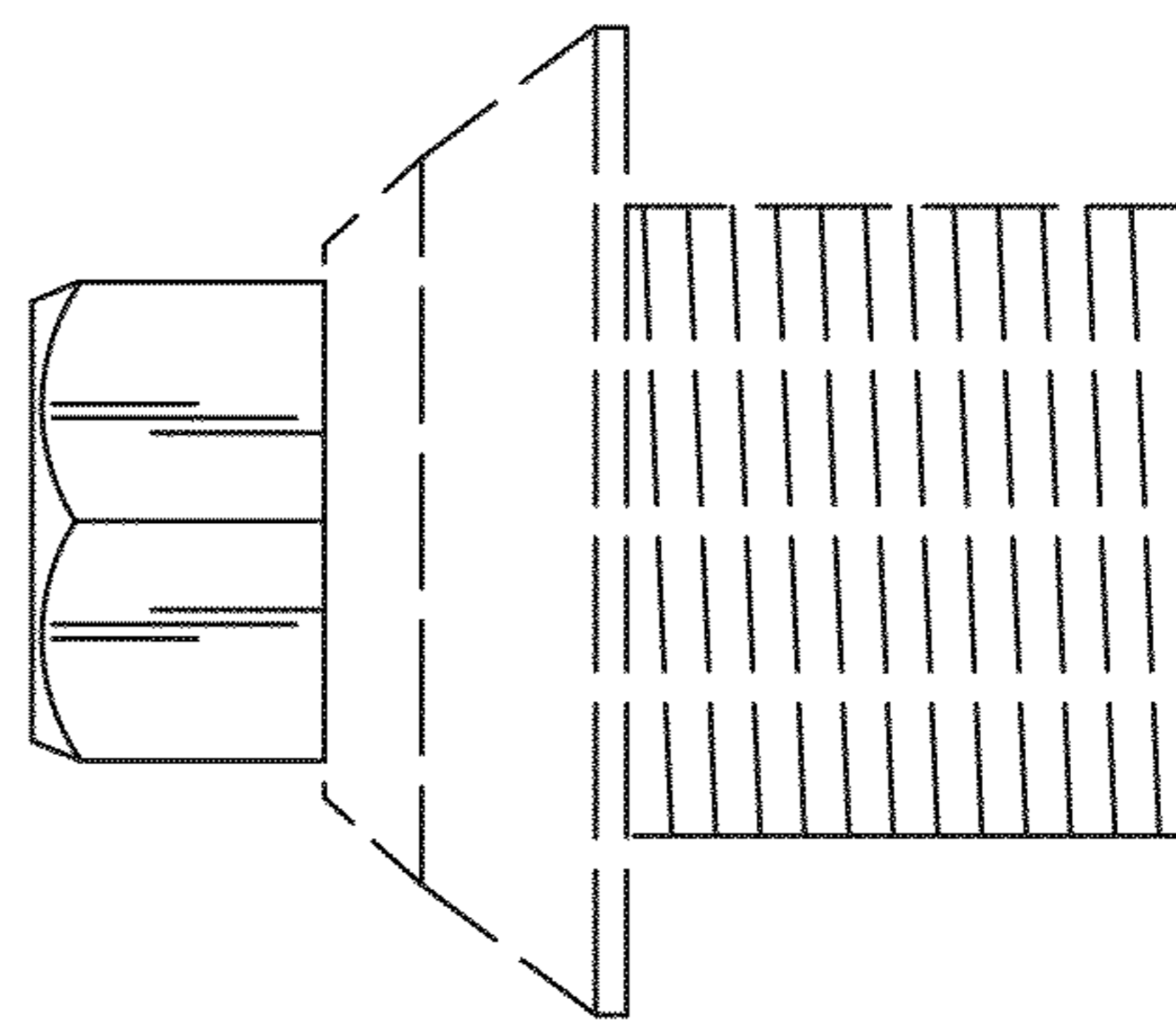


FIG. 6