



US00D731650S

(12) **United States Design Patent**  
**Shi**

(10) **Patent No.:** **US D731,650 S**  
(45) **Date of Patent:** **\*\* Jun. 9, 2015**

- (54) **PULLTOP LANCET**
- (75) Inventor: **Guoping Shi**, Suzhou (CN)
- (73) Assignee: **Sterilance Medical (Suzhou) Inc.**,  
Suzhou (CN)
- (\*\*) Term: **14 Years**
- (21) Appl. No.: **29/424,517**
- (22) Filed: **Jun. 13, 2012**
- (30) **Foreign Application Priority Data**

- Mar. 7, 2012 (CN) ..... 2012 3 004904
- (51) **LOC (10) Cl.** ..... **24-02**
- (52) **U.S. Cl.**  
USPC ..... **D24/147**
- (58) **Field of Classification Search**  
USPC ..... D7/649; D8/14.1, 29.1, 92, 93, 95, 97,  
D8/98, 99; D19/110, 115; D24/130, 133,  
D24/146, 147, 150, 151; 30/151, 162, 338,  
30/339; 606/4, 5, 6, 41, 44, 45, 46, 49, 51,  
606/107, 166; 604/198  
CPC ..... A61F 9/00763; A61F 9/00754; A61B  
10/0275; A61B 10/04  
See application file for complete search history.

(56) **References Cited**

**U.S. PATENT DOCUMENTS**

- D387,865 S 12/1997 Peckham et al.
- 6,086,584 A \* 7/2000 Miller ..... 606/41
- D447,231 S \* 8/2001 Chen Fu et al. .... D24/121
- D542,914 S \* 5/2007 Tanghoj ..... D24/112
- D613,400 S \* 4/2010 Hunter et al. .... D24/130

(Continued)

**OTHER PUBLICATIONS**

Sterilance purple. dated 2014. found online [Jan. 29, 2015] [http://cnortmed.en.alibaba.com/product/882229513-218306251/30G\\_Purple\\_pull\\_top\\_easy\\_to\\_operate\\_disposable\\_blood\\_lancet.html](http://cnortmed.en.alibaba.com/product/882229513-218306251/30G_Purple_pull_top_easy_to_operate_disposable_blood_lancet.html).\*

(Continued)

*Primary Examiner* — Robert M Spear  
*Assistant Examiner* — Marissa J Cash  
(74) *Attorney, Agent, or Firm* — Irving M. Fishman

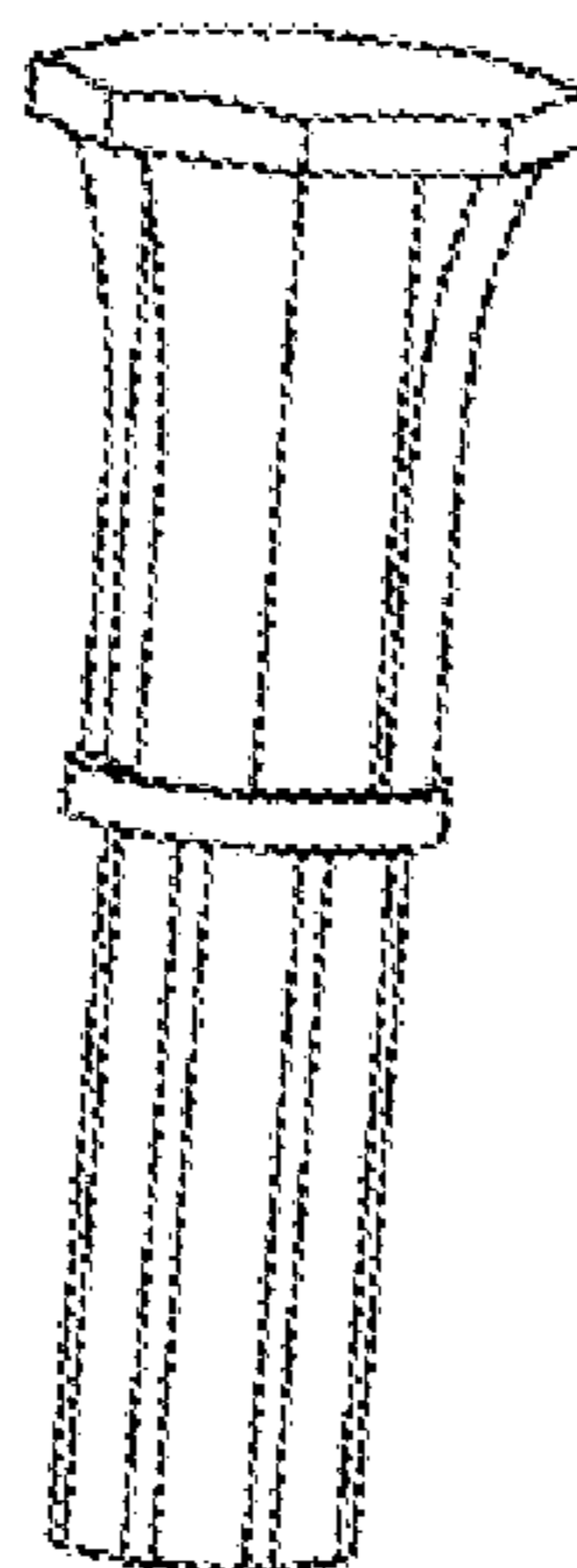
(57) **CLAIM**

I claim the ornamental design for a pulltop lancet, as shown and described.

**DESCRIPTION**

FIG. 1 is a top view of the new and ornamental pulltop lancet of the present invention.  
 FIG. 2 is a left side view of the new and ornamental pulltop lancet of the present invention.  
 FIG. 3 is a front view of the new and ornamental pulltop lancet of the present invention.  
 FIG. 4 is a right side view of the new and ornamental pulltop lancet of the present invention.  
 FIG. 5 is a bottom view of the new and ornamental pulltop lancet of the present invention.  
 FIG. 6 is a first oblique view of the new and ornamental pulltop lancet of the present invention.  
 FIG. 7 is a second oblique view of the new and ornamental pulltop lancet of the present invention.  
 FIG. 8 is a third oblique view of the new and ornamental pulltop lancet of the present invention.  
 FIG. 9 is a fourth oblique view of the new and ornamental pulltop lancet of the present invention.  
 FIG. 10 is a fifth oblique view of the new and ornamental pulltop lancet of the present invention.  
 FIG. 11 is a sixth oblique view of the new and ornamental pulltop lancet of the present invention.  
 FIG. 12 is a seventh oblique view of the new and ornamental pulltop lancet of the present invention.  
 FIG. 13 is an eighth oblique view of the new and ornamental pulltop lancet of the present invention; and,  
 FIG. 14 is a ninth oblique view of the new and ornamental pulltop lancet of the present invention.

**1 Claim, 2 Drawing Sheets**



(56)

**References Cited**

U.S. PATENT DOCUMENTS

D613,401 S \* 4/2010 Hunter et al. .... D24/130  
D645,147 S \* 9/2011 Ruf ..... D24/147  
D645,148 S \* 9/2011 Ruf ..... D24/147  
D677,382 S \* 3/2013 Foley et al. .... D24/114  
D690,416 S \* 9/2013 Cappello et al. .... D24/112  
D692,308 S \* 10/2013 Baker ..... D9/548  
D719,650 S \* 12/2014 Arinobe et al. .... D24/130  
2008/0228147 A1 \* 9/2008 David-Hegerich et al. ... 604/198  
2008/0269692 A1 \* 10/2008 James et al. .... 604/198

OTHER PUBLICATIONS

Stat Products—Lancets; <http://www.statdevices.com/STAT-Lancets-pull.html> (1 page).

30 G BD Ultra-Fine(TM) II lancet; <http://catalog.bd.com/bdCat/viewProduct.doCustomer?productNumber=325773> (2 pages) 2011.

BD Medical Product Catalog Jan. 2012.

\* cited by examiner

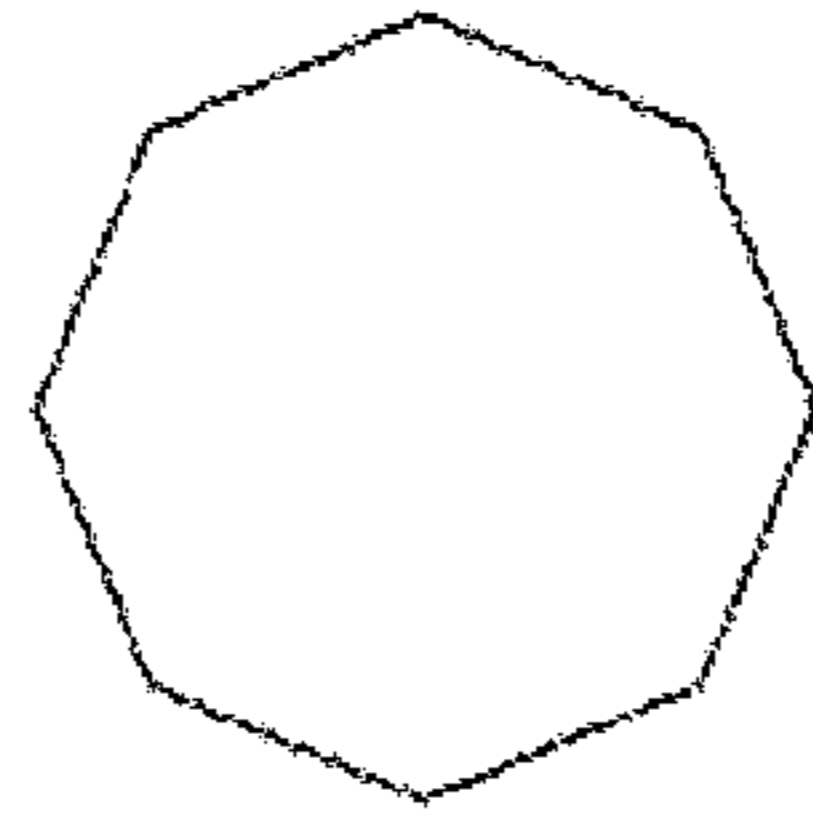


FIG. 1

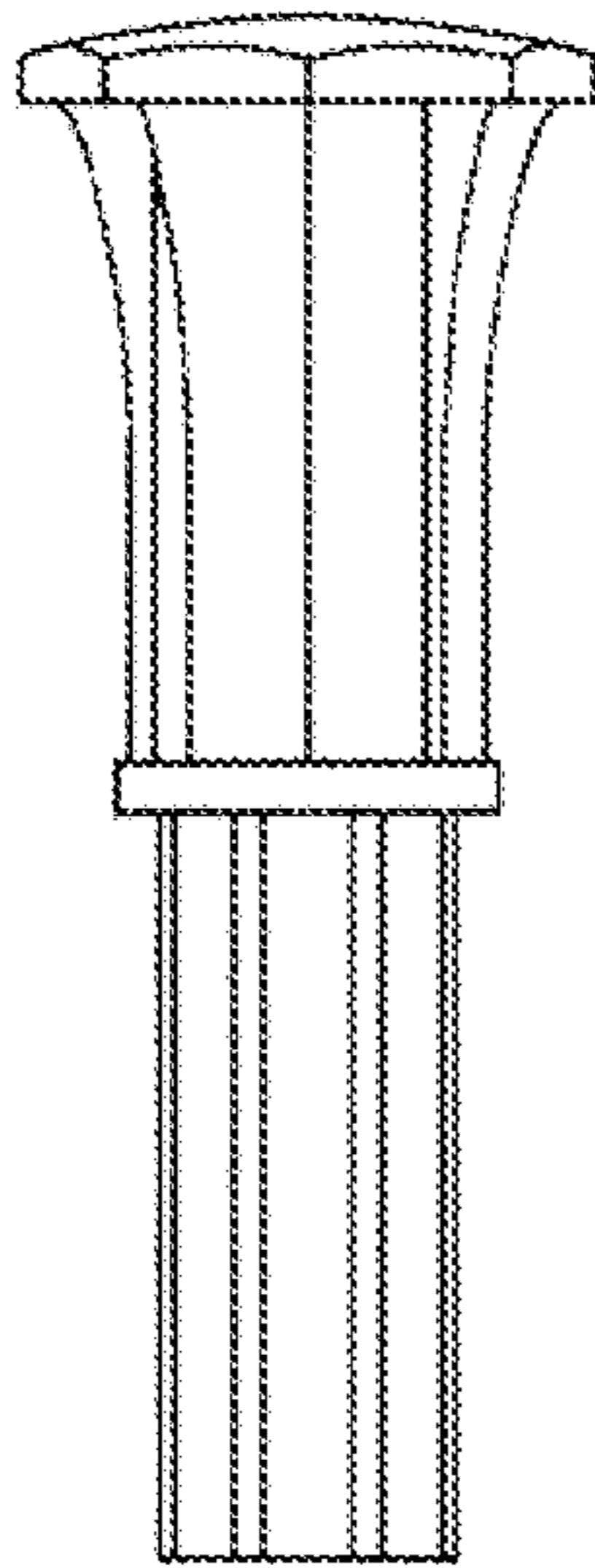


FIG. 2

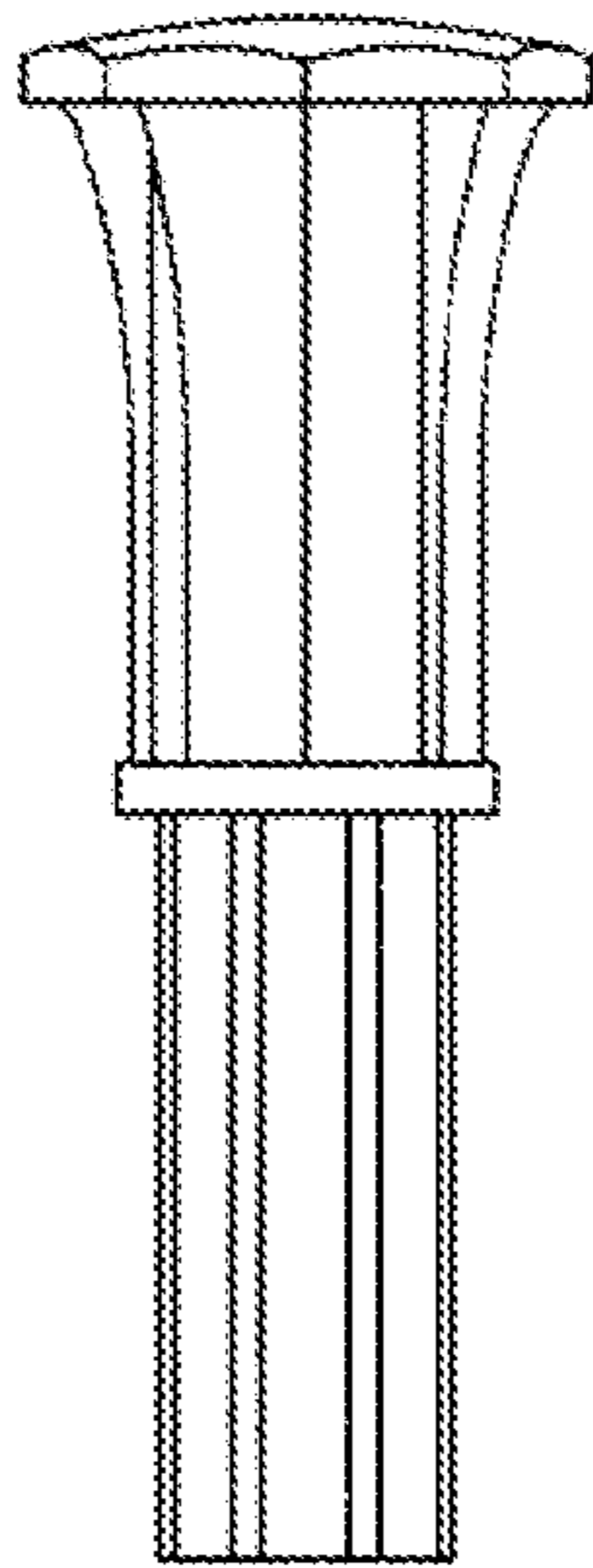


FIG. 3

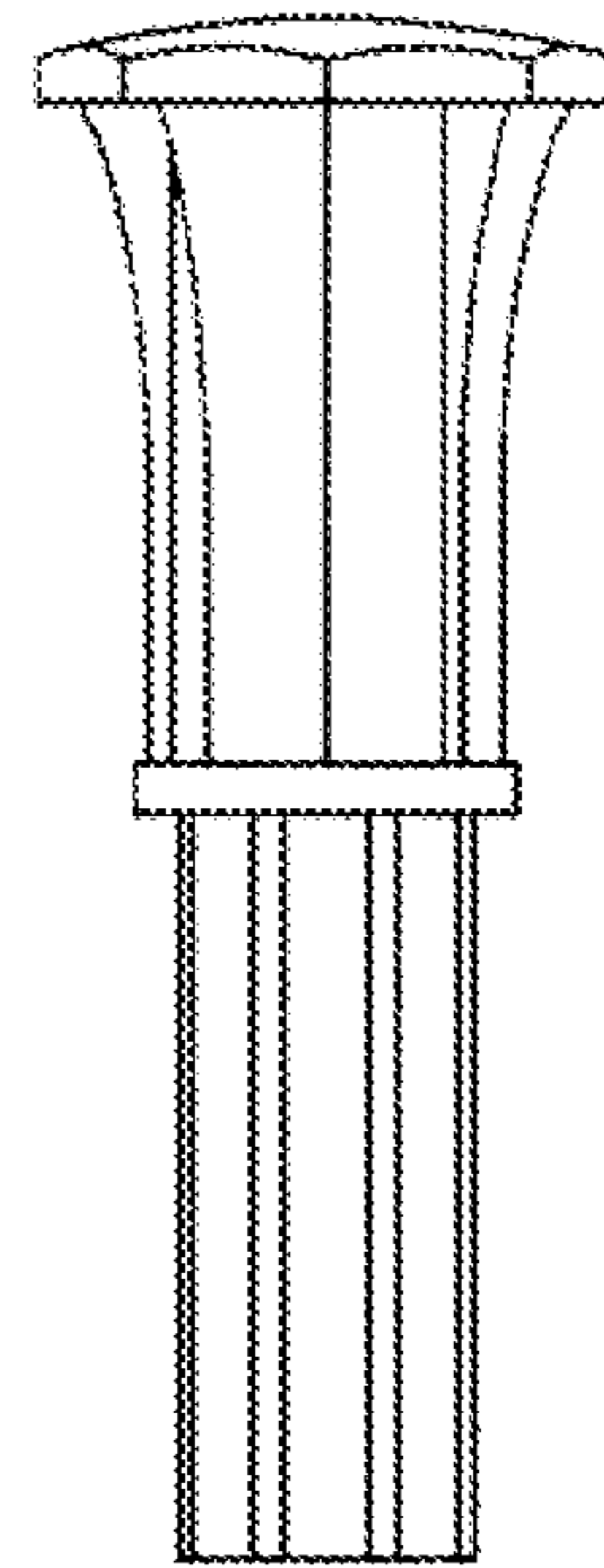


FIG. 4

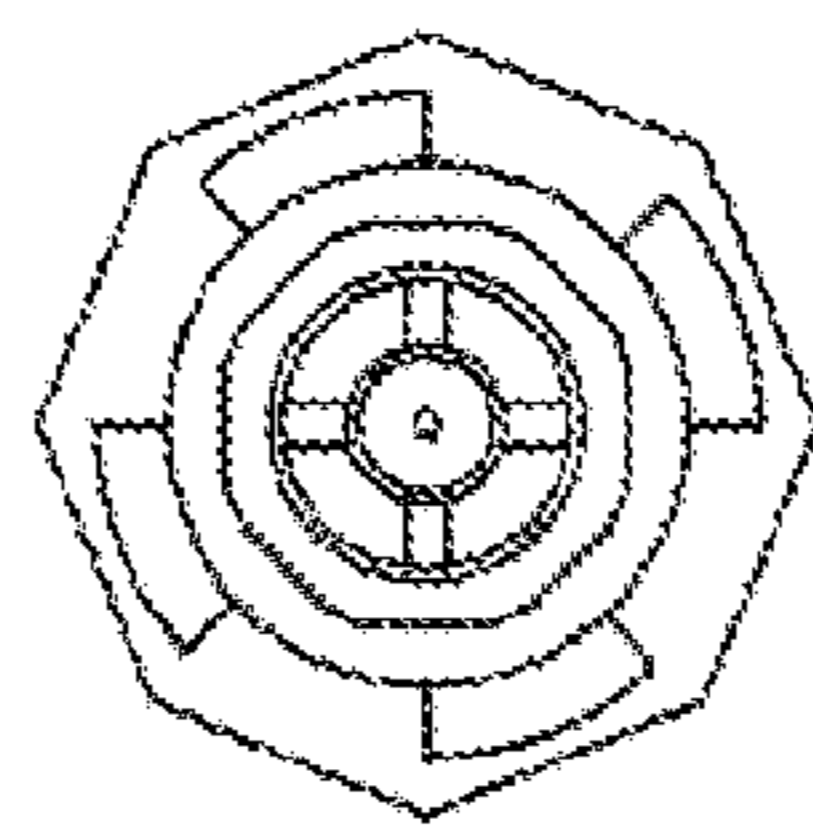


FIG. 5

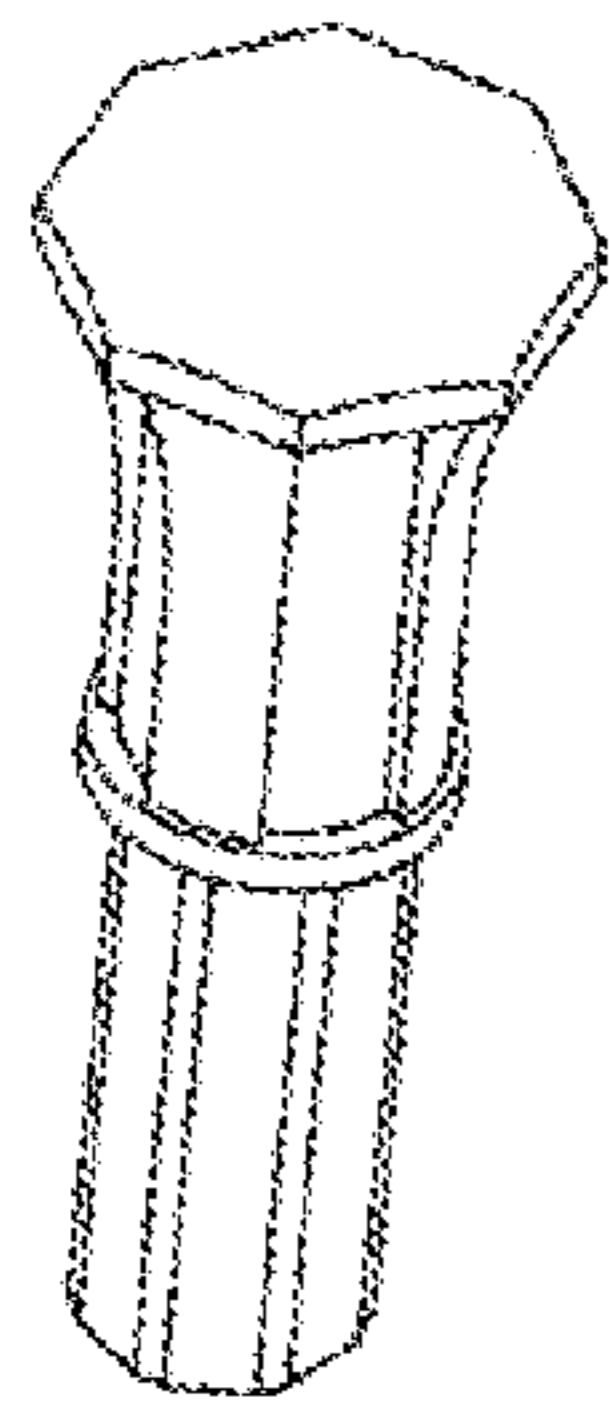


FIG. 6

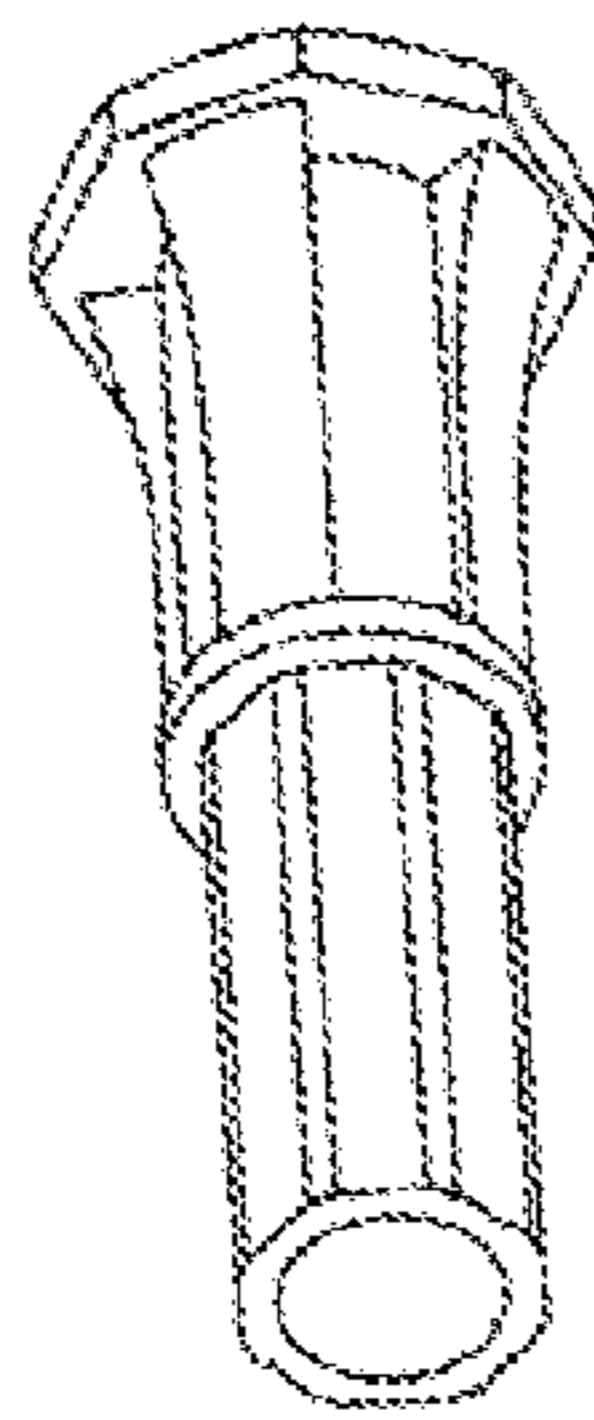


FIG. 7

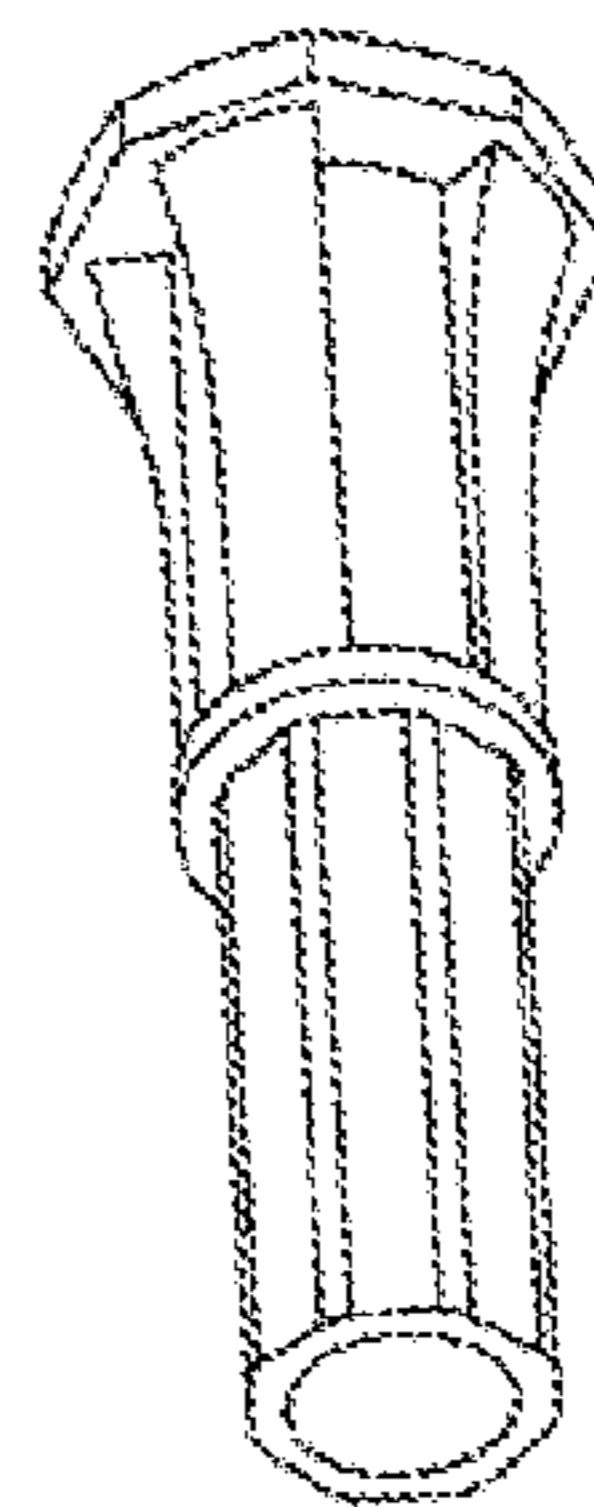


FIG. 8

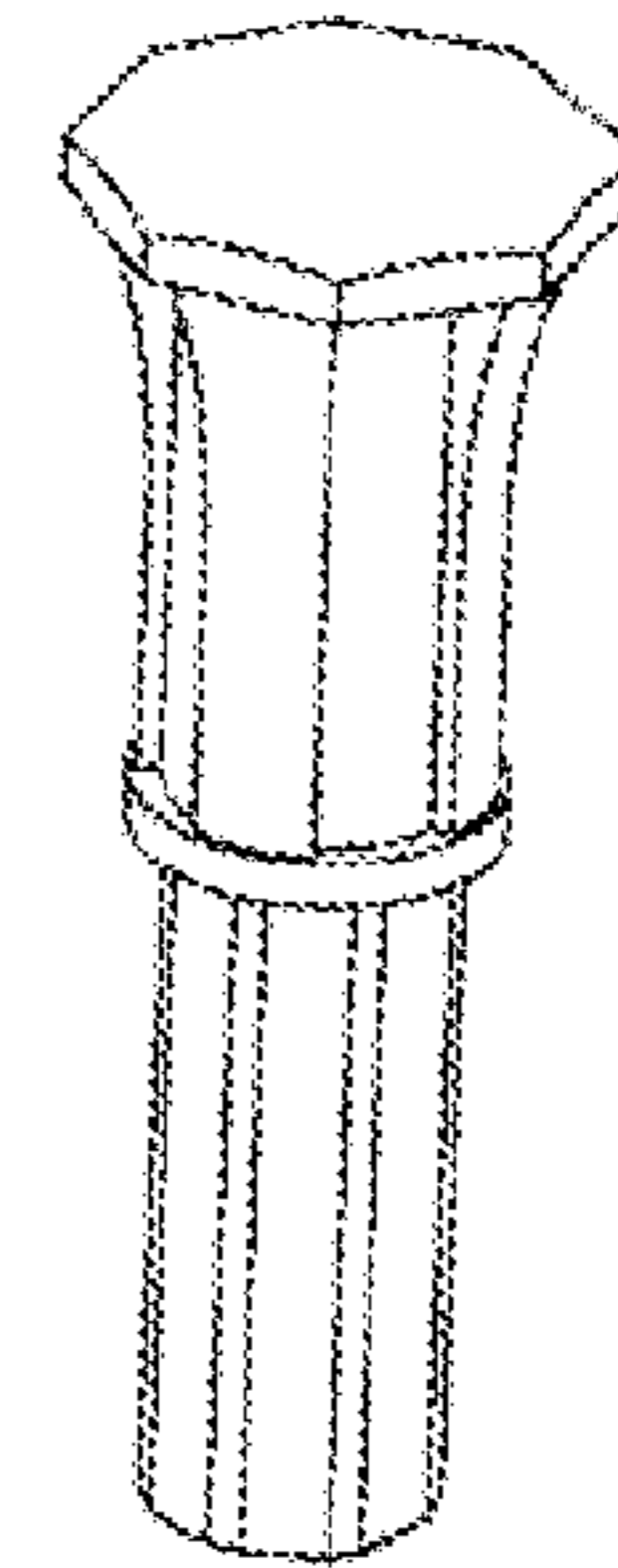


FIG. 9

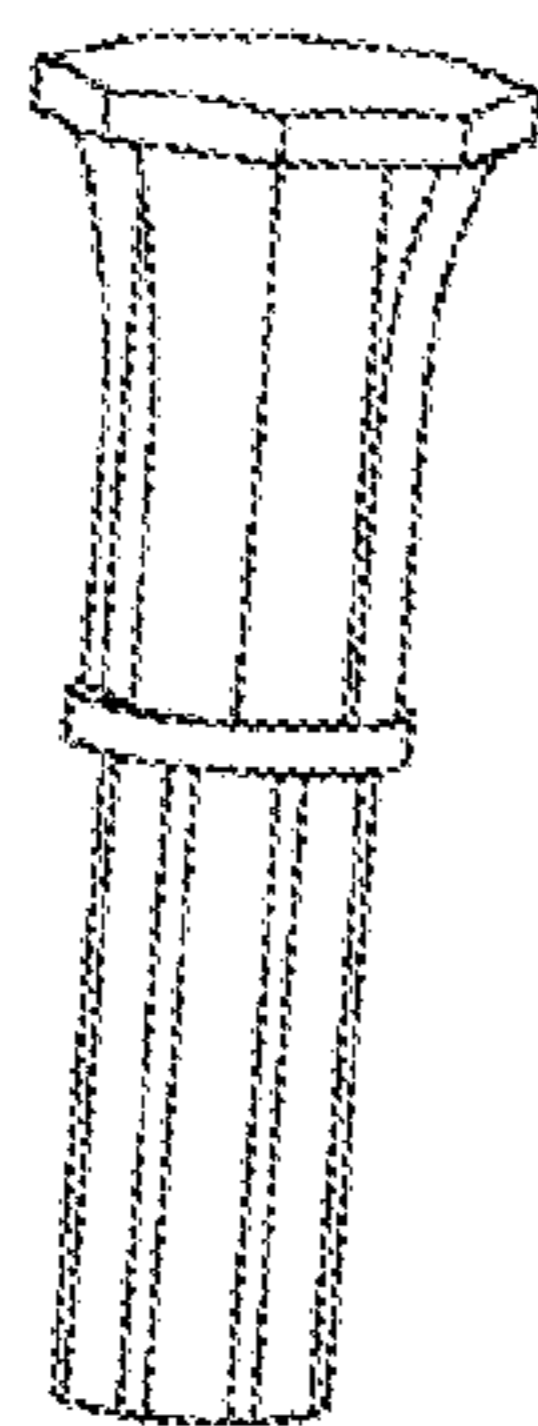


FIG. 10

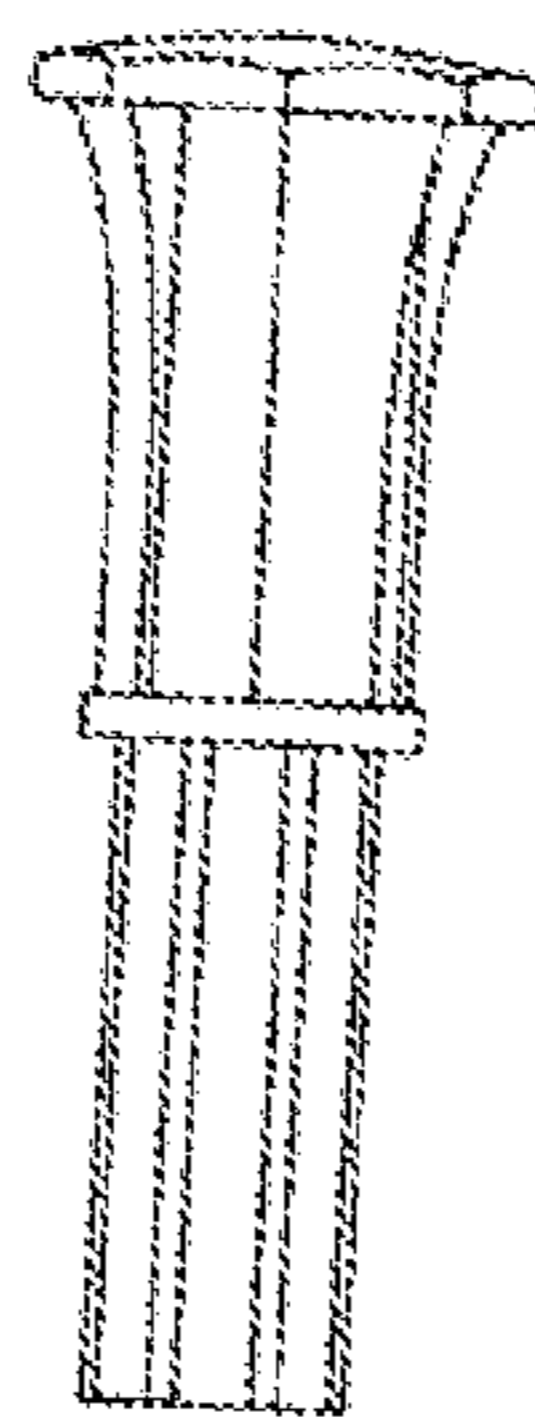


FIG. 11

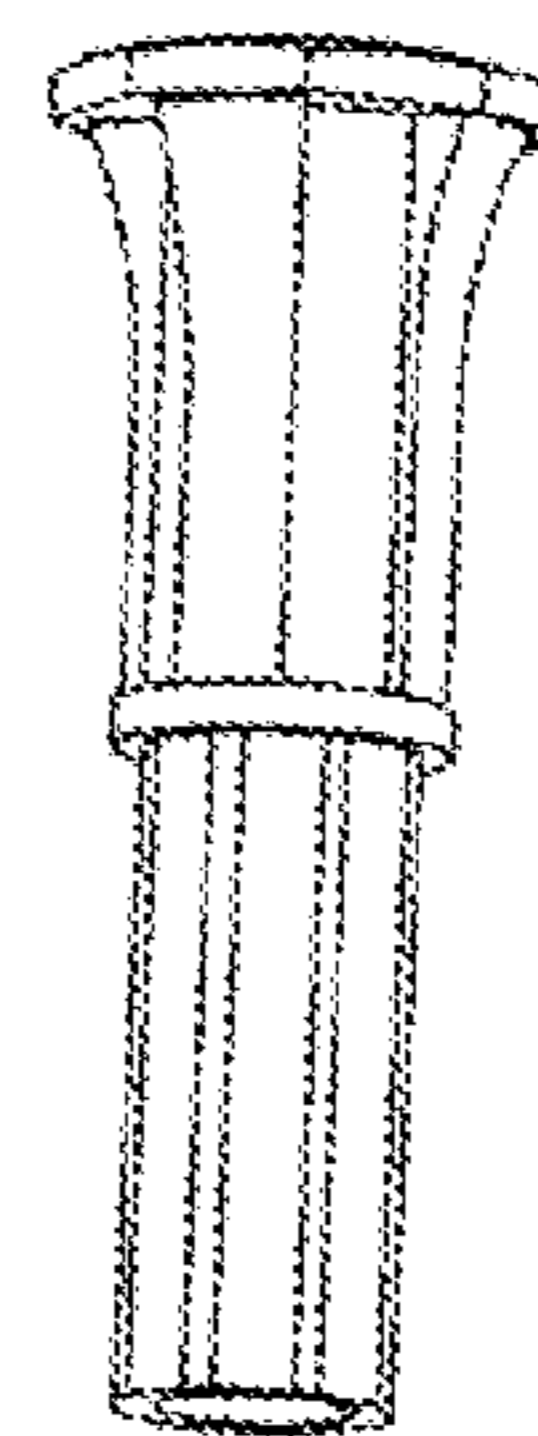


FIG. 12

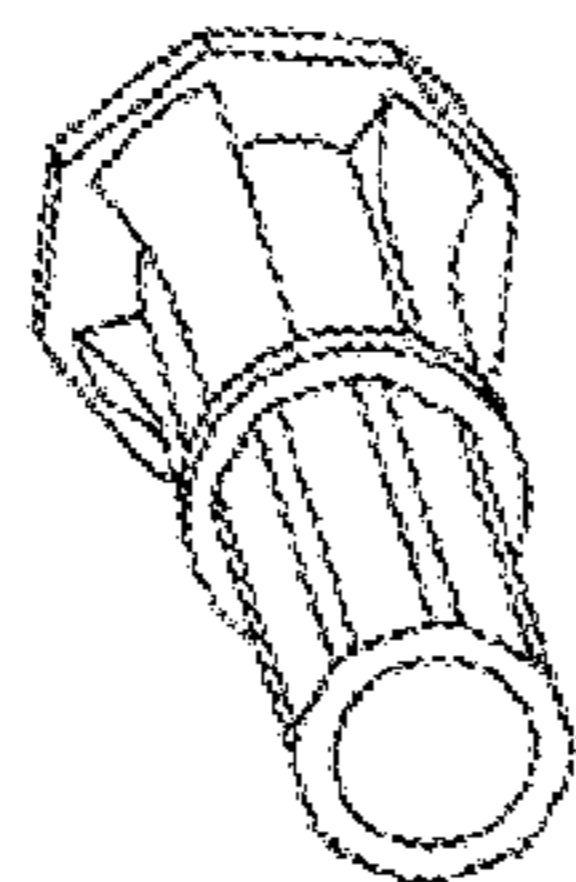


FIG. 13

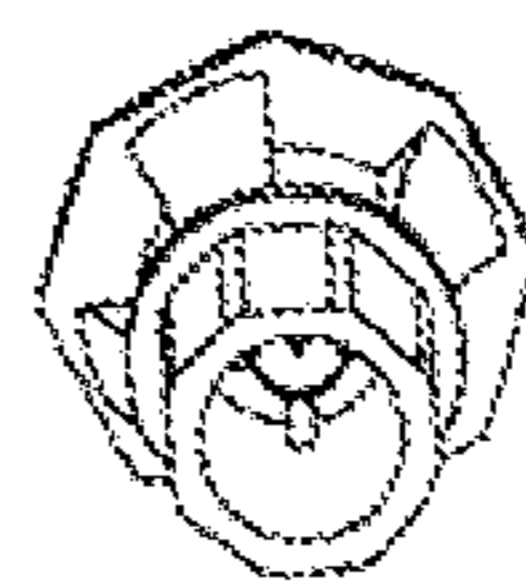


FIG. 14