



US00D731649S

(12) **United States Design Patent**
Lualdi

(10) **Patent No.:** **US D731,649 S**
(45) **Date of Patent:** **** Jun. 9, 2015**

(54) **MANIPULATOR DEVICE FOR A MILLING
TOOL FOR PROSTHETIC SURGERY
OPERATIONS**

(71) Applicant: **HPF SPA**, Forgaria nel Friuli (Ud) (IT)

(72) Inventor: **Tommaso Lualdi**, Fagagna (IT)

(73) Assignee: **HPF SPA**, Forgaria nel Friuli (Ud) (IT)

(**) Term: **14 Years**

(21) Appl. No.: **29/472,357**

(22) Filed: **Nov. 12, 2013**

(30) **Foreign Application Priority Data**

May 20, 2013 (EM) 2240341-0001

(51) **LOC (10) Cl.** **24-02**

(52) **U.S. Cl.**
USPC **D24/146**

(58) **Field of Classification Search**

USPC D7/649; D8/6-8, 80, 90, 98, 300, 397;
D19/110; D24/127, 133, 145, 146,
D24/147, 171; 30/151, 162, 338, 339;
606/79, 80, 81, 82, 88, 167, 168, 169,
606/171, 176, 297
CPC A61B 17/1671; A61B 17/14; A61B
17/3211; A61B 17/320758; A61B 17/320092;
A61B 17/141; A61F 9/00763

See application file for complete search history.

(56) **References Cited**

U.S. PATENT DOCUMENTS

D368,020	S	*	3/1996	Shirai	D8/397
D438,306	S	*	2/2001	Narayanan	D24/152
D579,562	S	*	10/2008	Anderson et al.	D24/133
7,608,076	B2	*	10/2009	Ezzedine	606/81
8,439,920	B2	*	5/2013	Ryall et al.	606/80
D693,389	S	*	11/2013	Koehler	D15/138
2003/0212402	A1	*	11/2003	White et al.	606/81
2003/0216716	A1	*	11/2003	Desarzens	606/1
2007/0173847	A1	*	7/2007	Guelat et al.	606/80
2008/0045955	A1	*	2/2008	Berrepoets et al.	606/61
2009/0082772	A1	*	3/2009	Ferreira	606/80
2011/0118743	A1	*	5/2011	Cannell et al.	606/80

* cited by examiner

Primary Examiner — Robert M Spear

Assistant Examiner — Marissa J Cash

(74) *Attorney, Agent, or Firm* — Rankin, Hill & Clark LLP

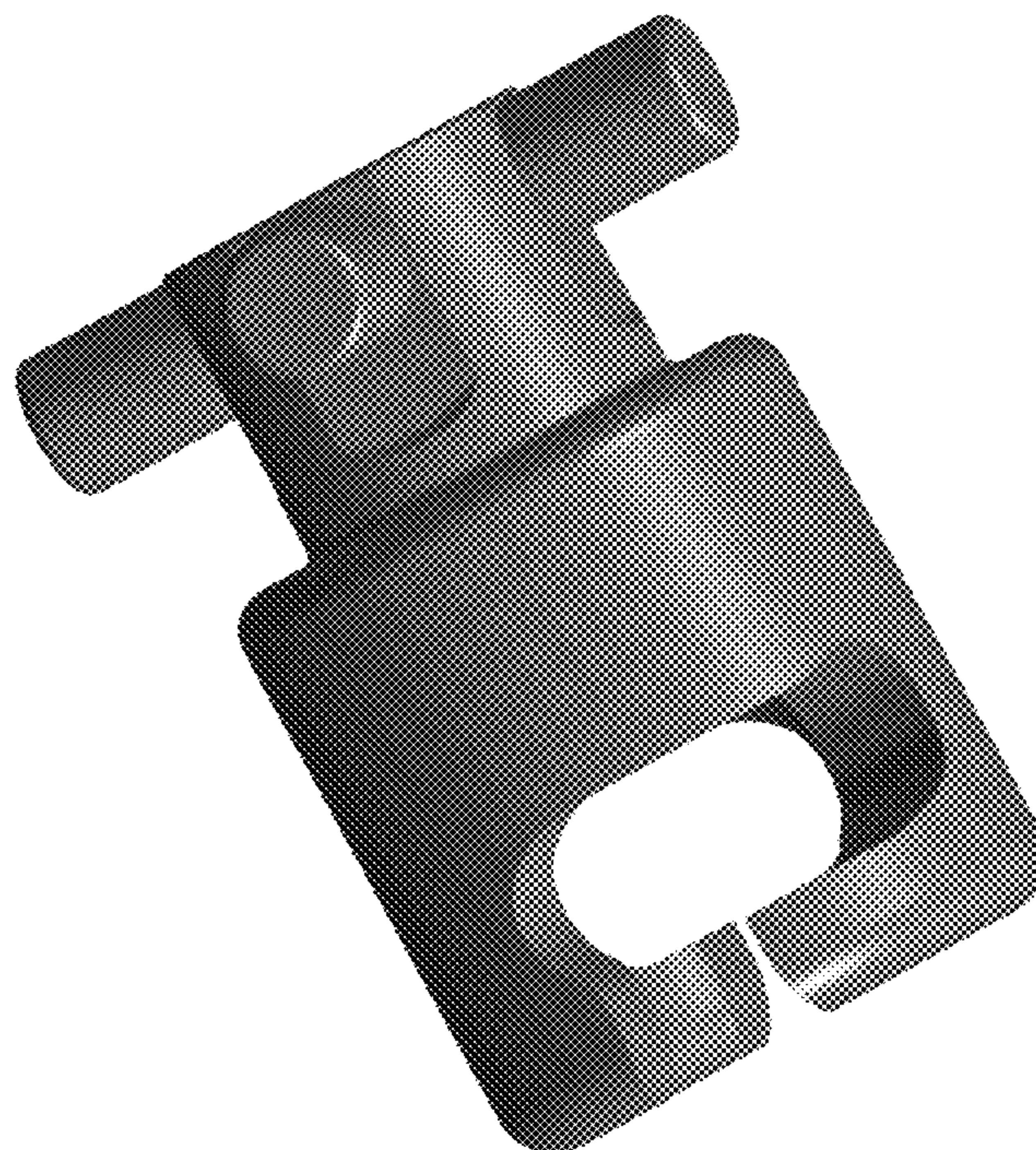
(57) **CLAIM**

The ornamental design for a manipulator device for a milling tool for prosthetic surgery operations, as shown and described.

DESCRIPTION

FIG. 1 is a front perspective view of a manipulator device for a milling tool for prosthetic surgery operations;
FIG. 2 is a front view thereof;
FIG. 3 is a right side view thereof;
FIG. 4 is a rear view thereof;
FIG. 5 is a left side view thereof;
FIG. 6 is a bottom view thereof; and,
FIG. 7 is a top view thereof.

1 Claim, 7 Drawing Sheets



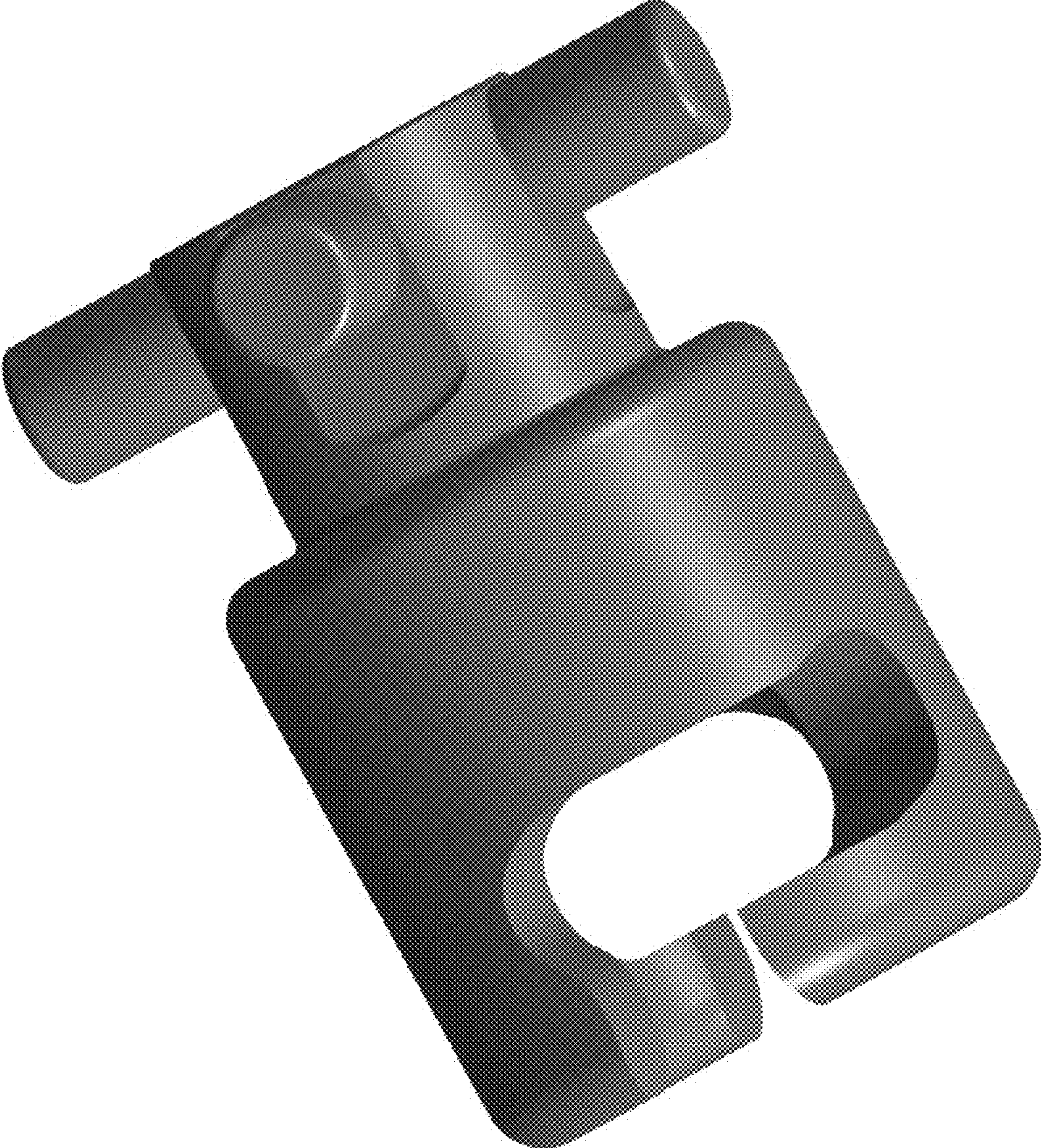


FIG. 1

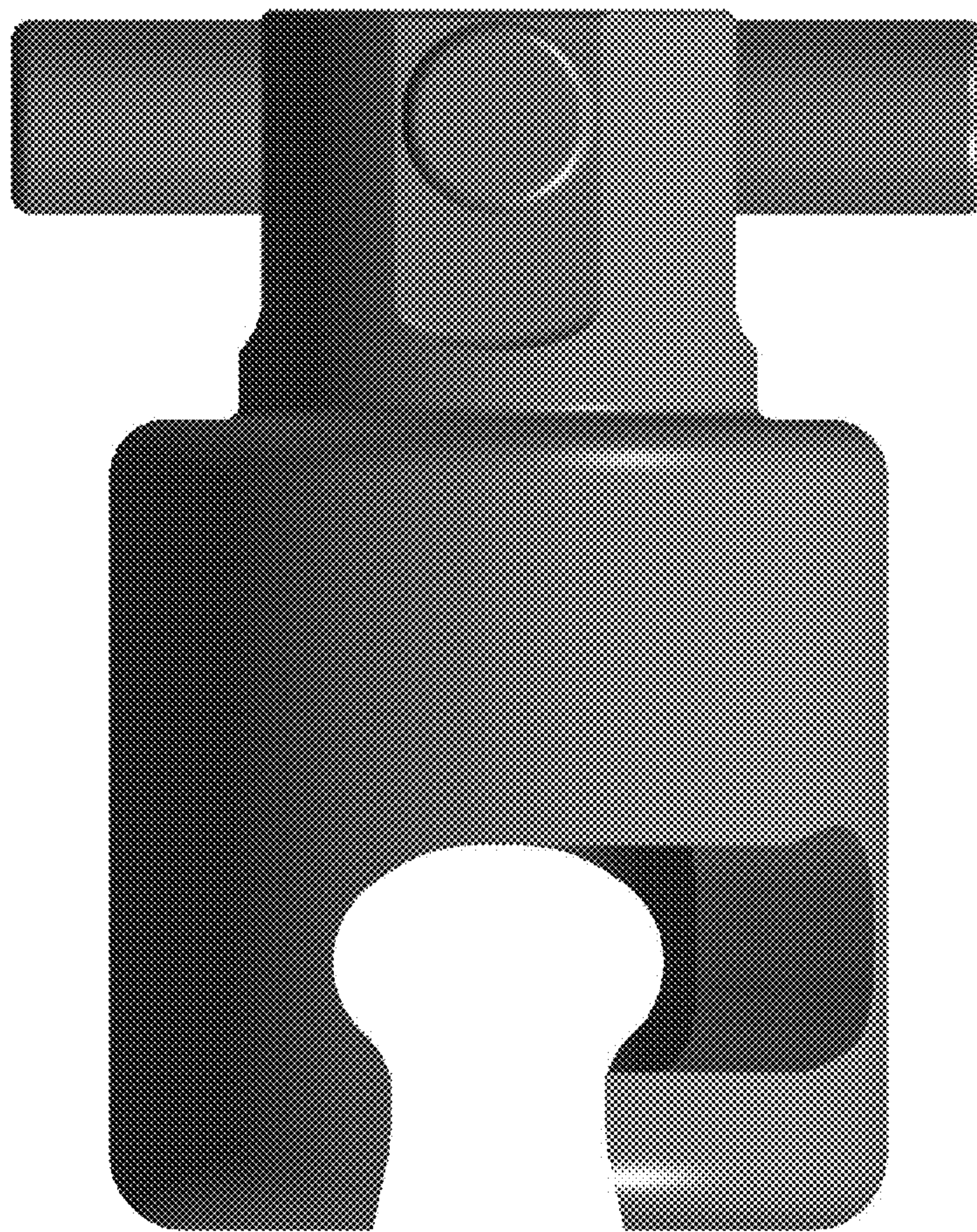


FIG. 2

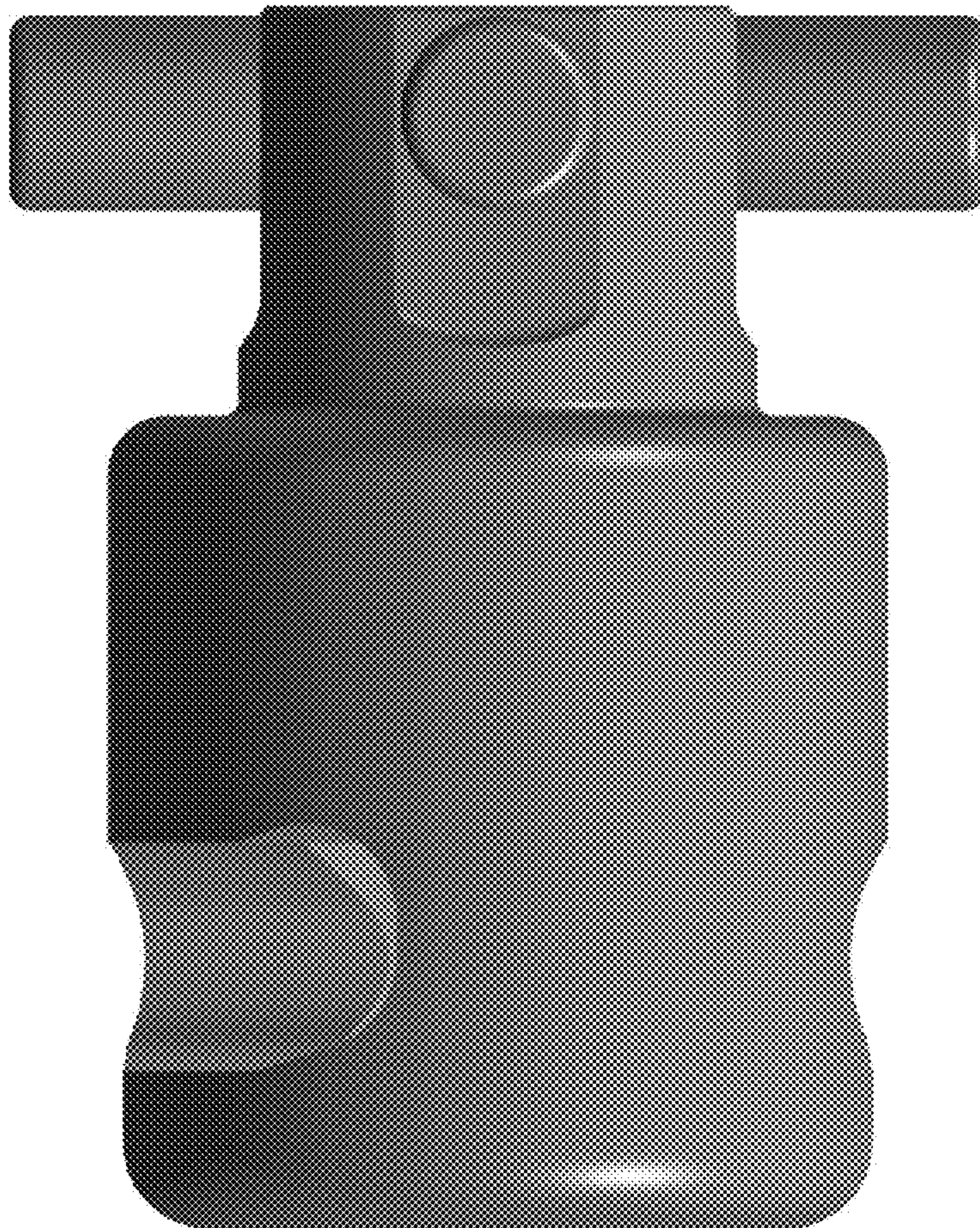


FIG. 3

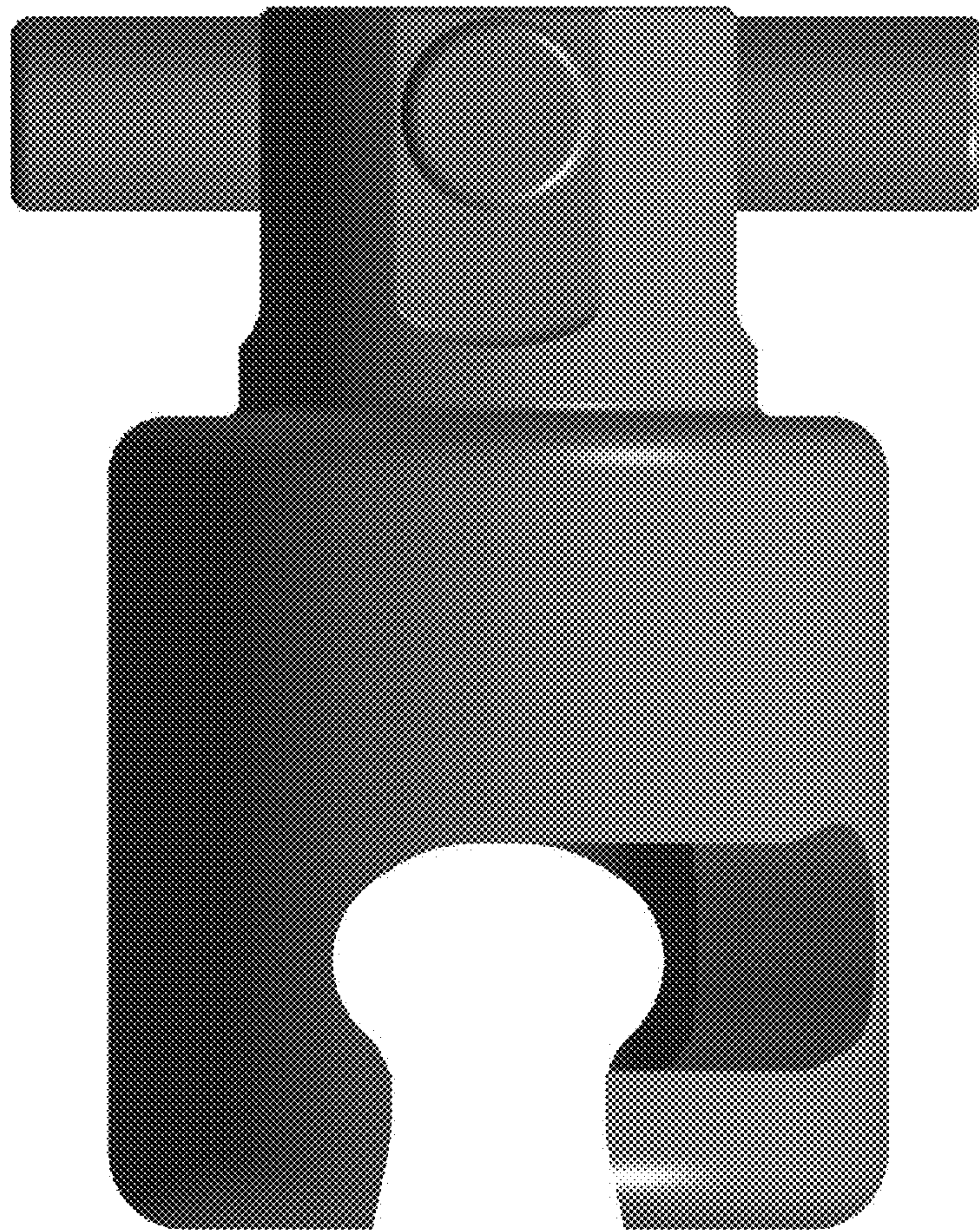


FIG. 4

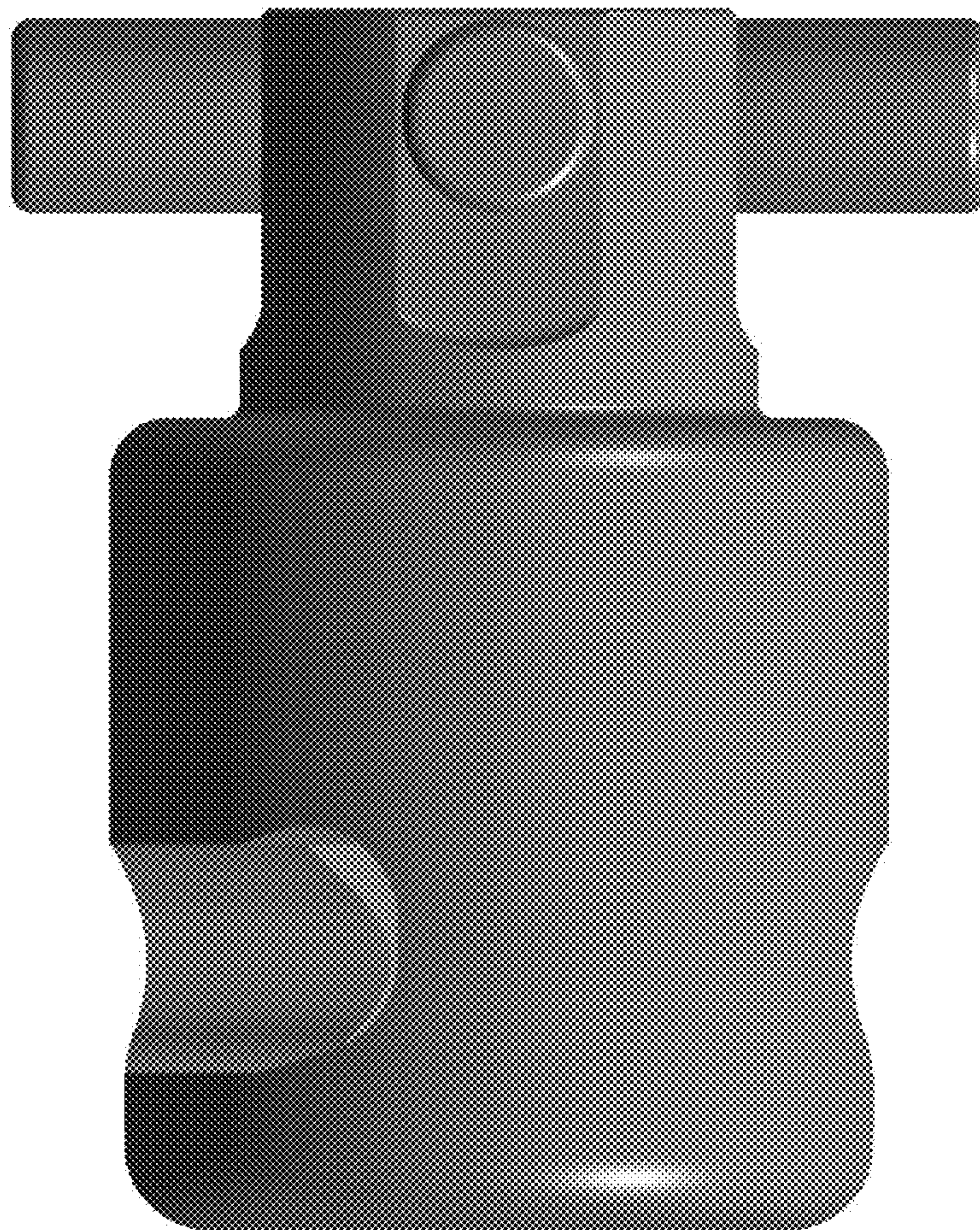


FIG. 5

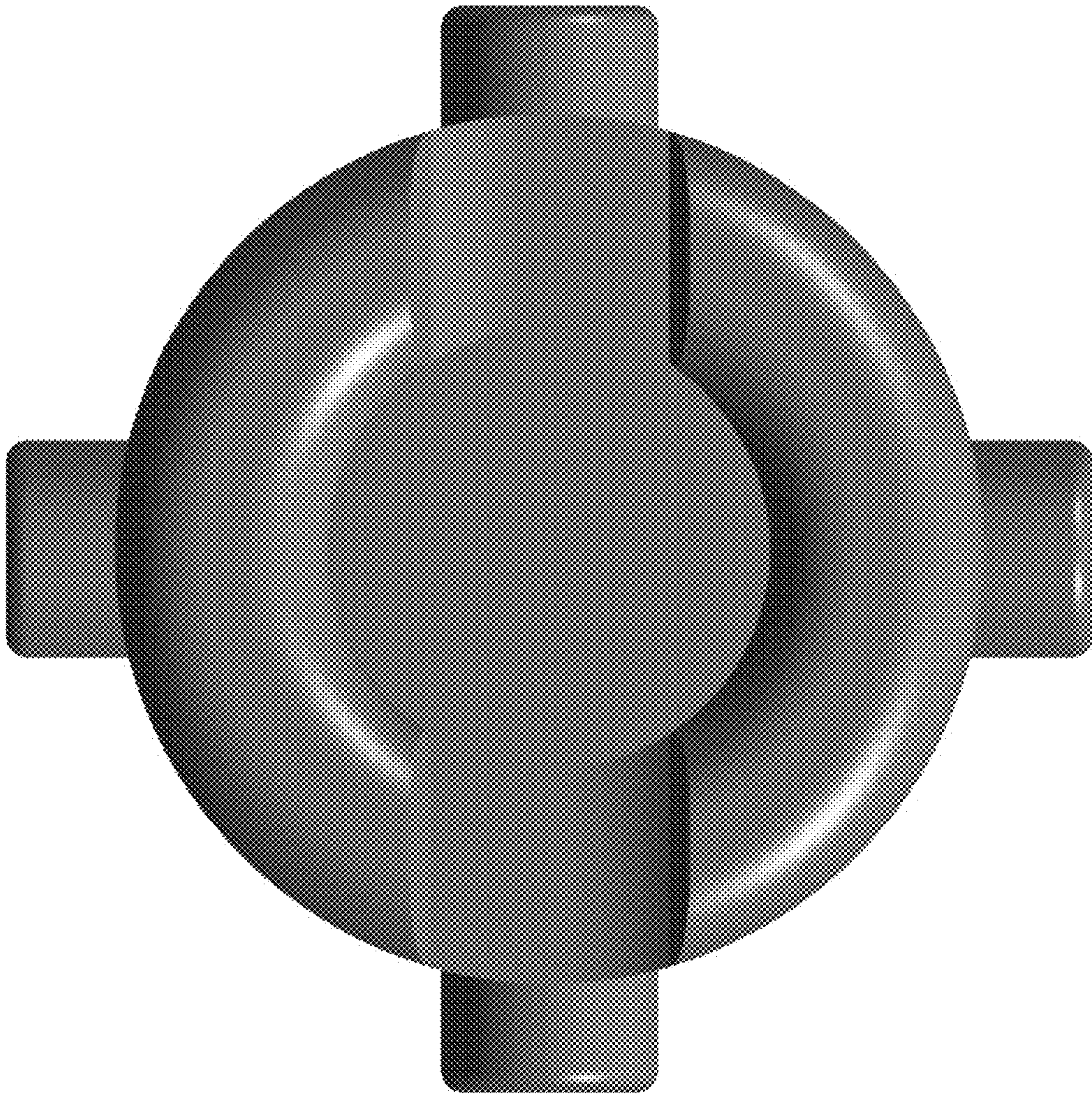


FIG. 6

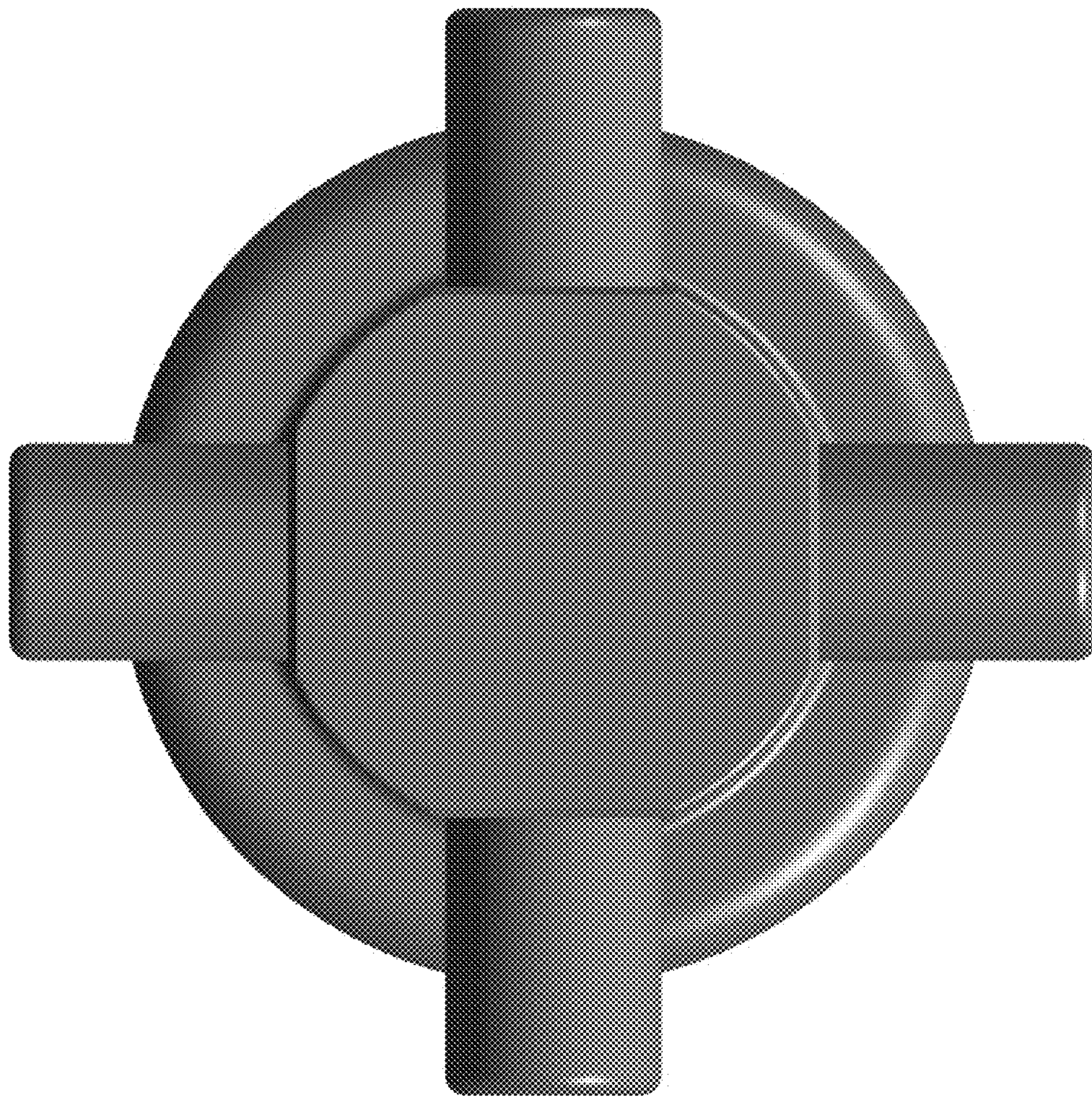


FIG. 7