



US00D731648S

(12) **United States Design Patent**
Rencher et al.

(10) **Patent No.:** **US D731,648 S**
(45) **Date of Patent:** **** Jun. 9, 2015**

(54) **ELECTROSURGICAL INSTRUMENT**

(71) Applicant: **Bovie Medical Corporation**, Clearwater, FL (US)

(72) Inventors: **Jeffrey C. Rencher**, Sarasota, FL (US);
Eric J. Hoegstrom, Dunedin, FL (US);
Gary G. Gogolin, Tampa, FL (US)

(73) Assignee: **Bovie Medical Corporation**, Clearwater, FL (US)

(**) Term: **14 Years**

(21) Appl. No.: **29/486,540**

(22) Filed: **Mar. 31, 2014**

(51) **LOC (10) Cl.** **24-02**

(52) **U.S. Cl.**
USPC **D24/144**

(58) **Field of Classification Search**
USPC D24/144, 133, 146-147, 170; 606/32,
606/39, 40-41, 45, 48-50, 42
See application file for complete search history.

(56) **References Cited**

U.S. PATENT DOCUMENTS

D457,958 S * 5/2002 Dycus et al. D24/144
6,468,286 B2 * 10/2002 Mastri et al. 606/39

6,682,544 B2 *	1/2004	Mastri et al.	606/39
7,195,631 B2 *	3/2007	Dumbauld	606/32
8,540,709 B2 *	9/2013	Allen	606/41
8,568,425 B2 *	10/2013	Ross et al.	606/32
8,795,276 B2 *	8/2014	Dietz et al.	606/41
8,821,490 B2 *	9/2014	Allen	606/41
8,926,607 B2 *	1/2015	Norvell et al.	606/41
2008/0255607 A1 *	10/2008	Zemlok	606/41
2012/0078247 A1 *	3/2012	Worrell et al.	606/45

* cited by examiner

Primary Examiner — Wan Laymon

(74) *Attorney, Agent, or Firm* — Michael J. Porco; Gerald E. Hespos; Matthew T. Hespos

(57) **CLAIM**

The ornamental design for an electrosurgical instrument, as shown and described.

DESCRIPTION

FIG. 1 is a perspective view of an electrosurgical instrument of our new design;

FIG. 2 is a front view thereof;

FIG. 3 is a rear view thereof;

FIG. 4 is a right side view thereof;

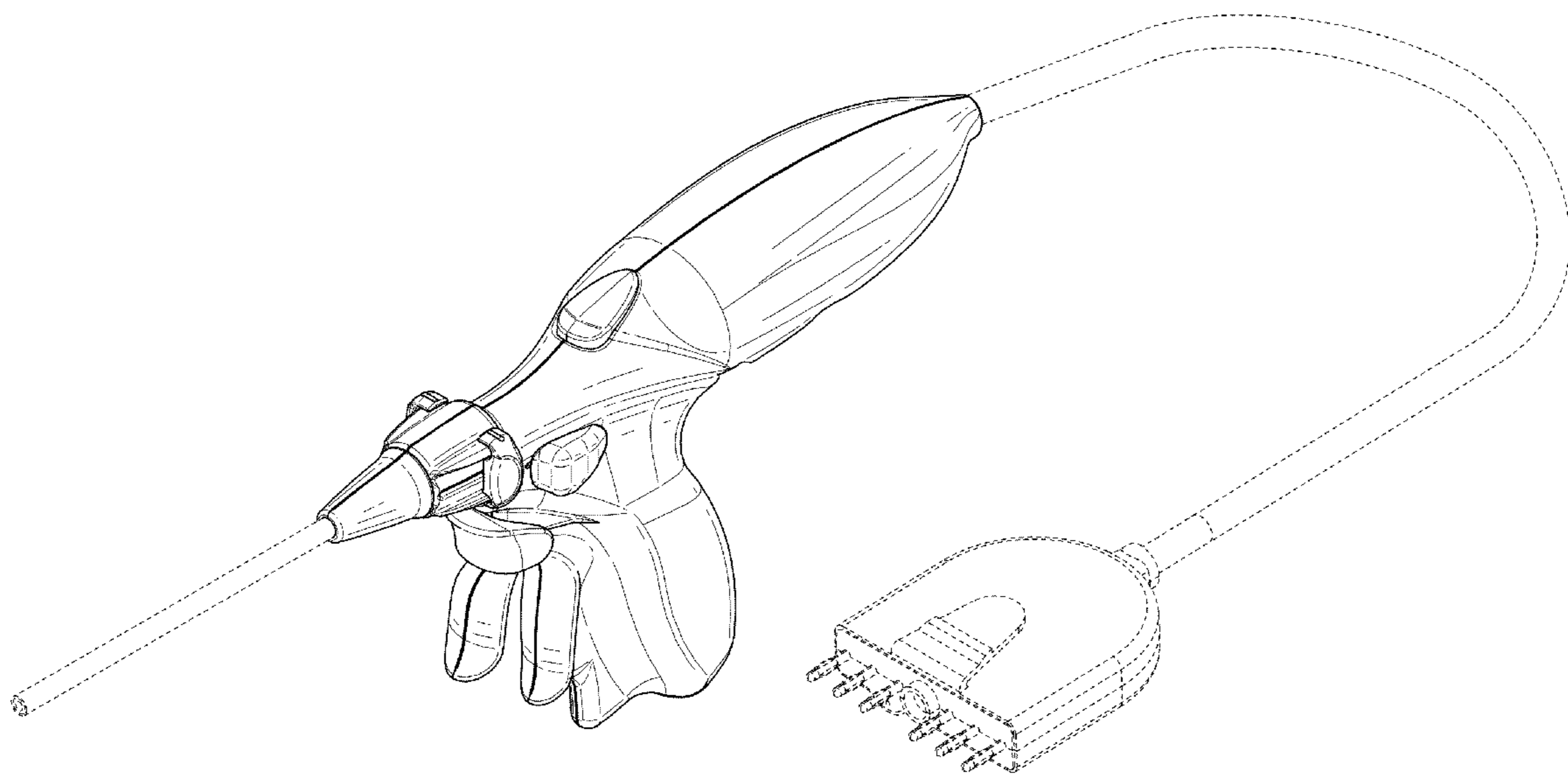
FIG. 5 is a left side view thereof;

FIG. 6 is a top view thereof; and,

FIG. 7 is a bottom view thereof.

The broken lines shown in the figures represent portions of the electrosurgical instrument that form no part of the claimed design.

1 Claim, 6 Drawing Sheets



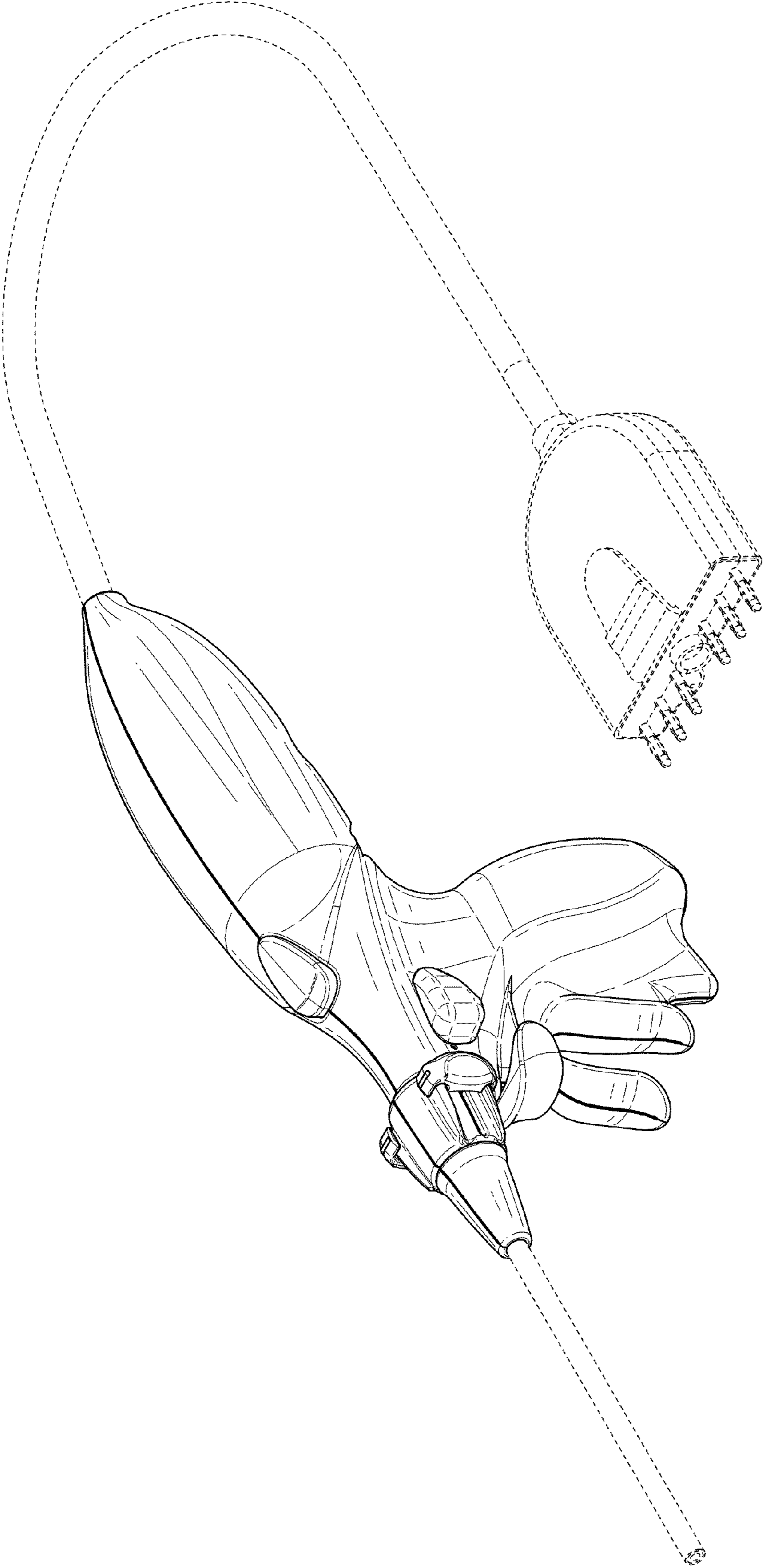


FIG. 1

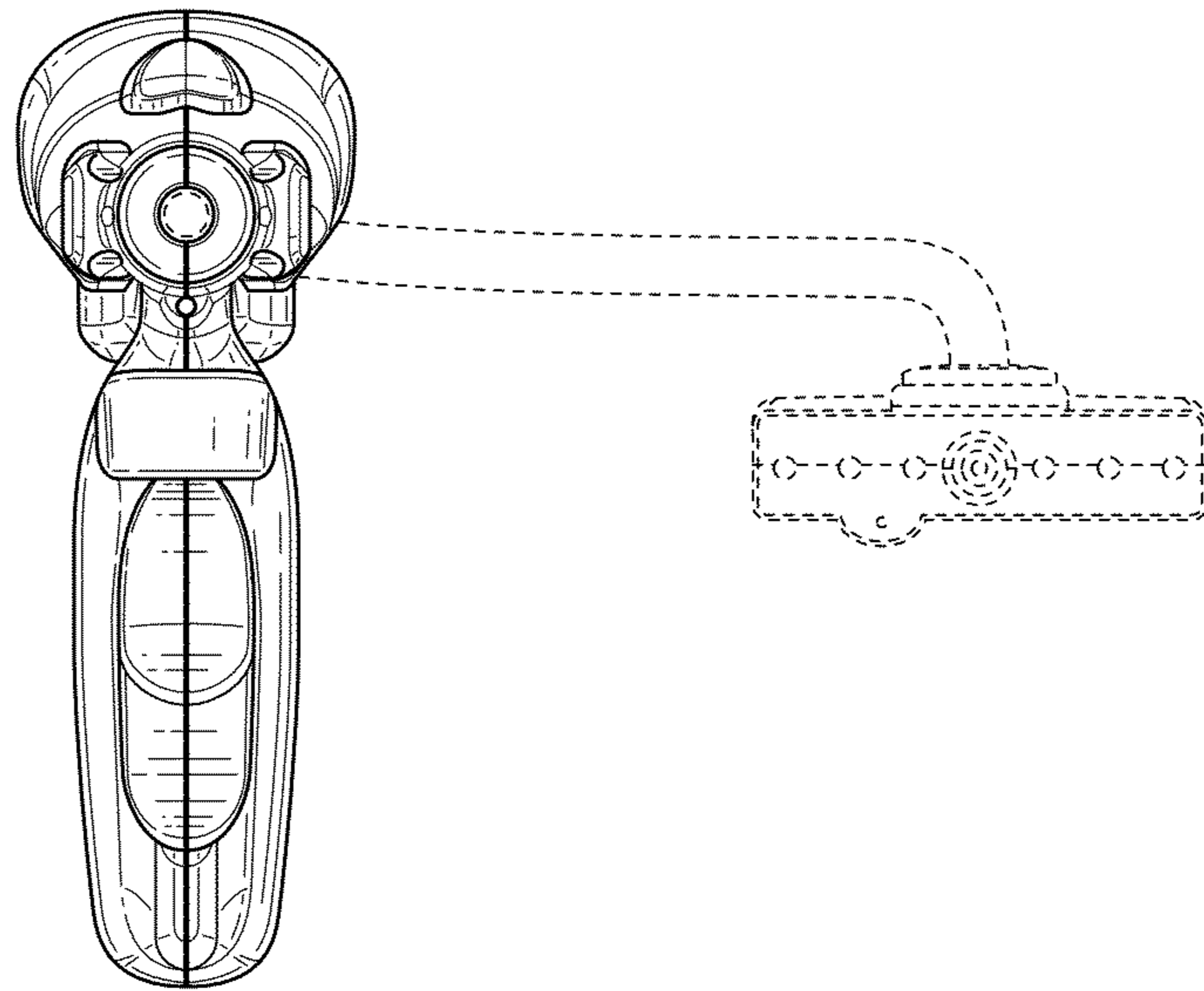


FIG. 2

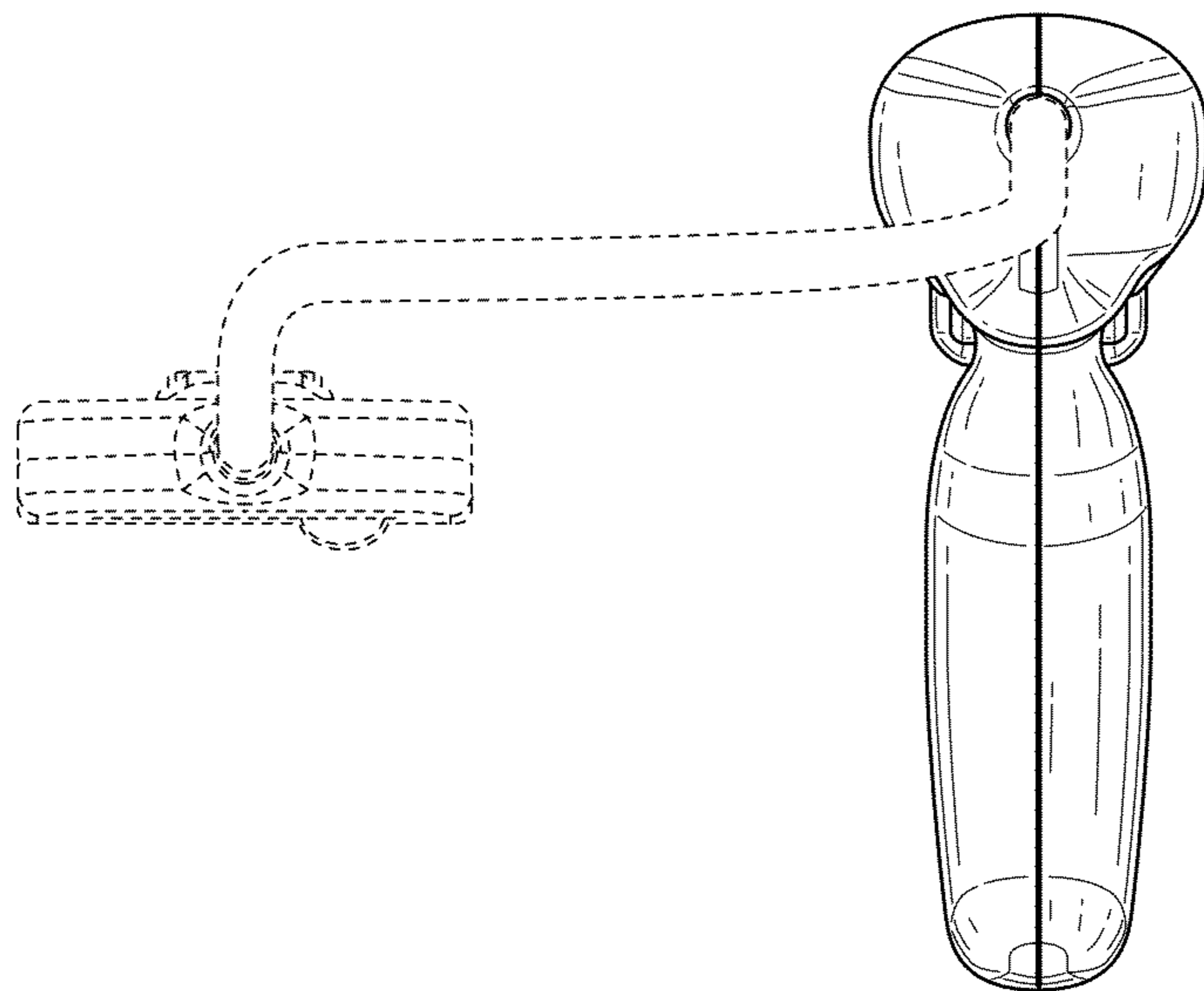


FIG. 3

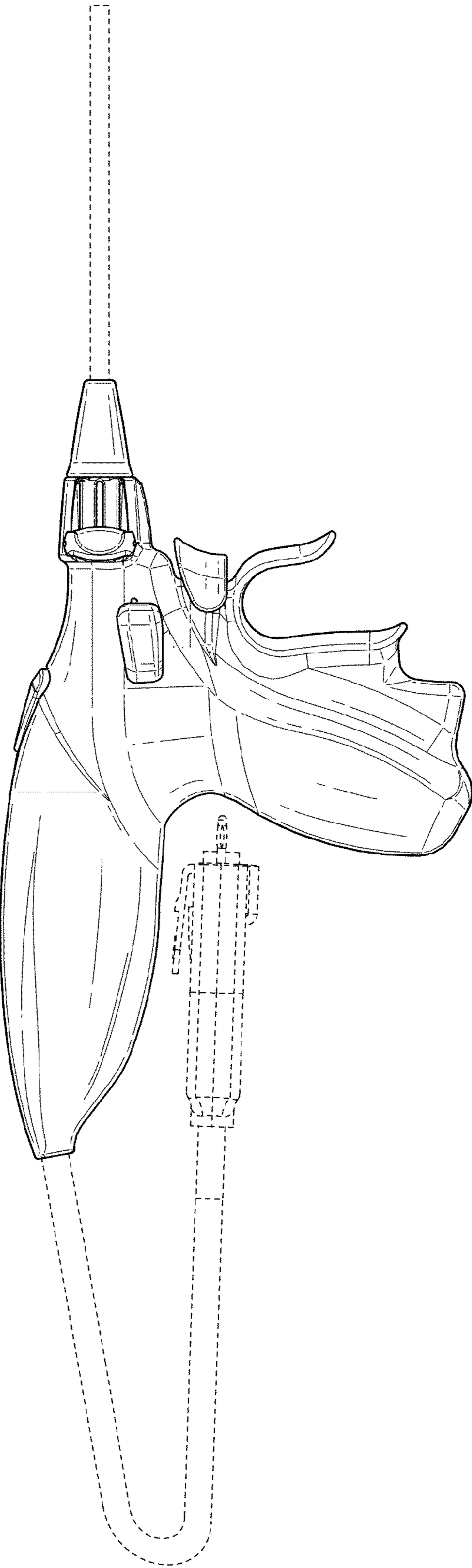


FIG. 4

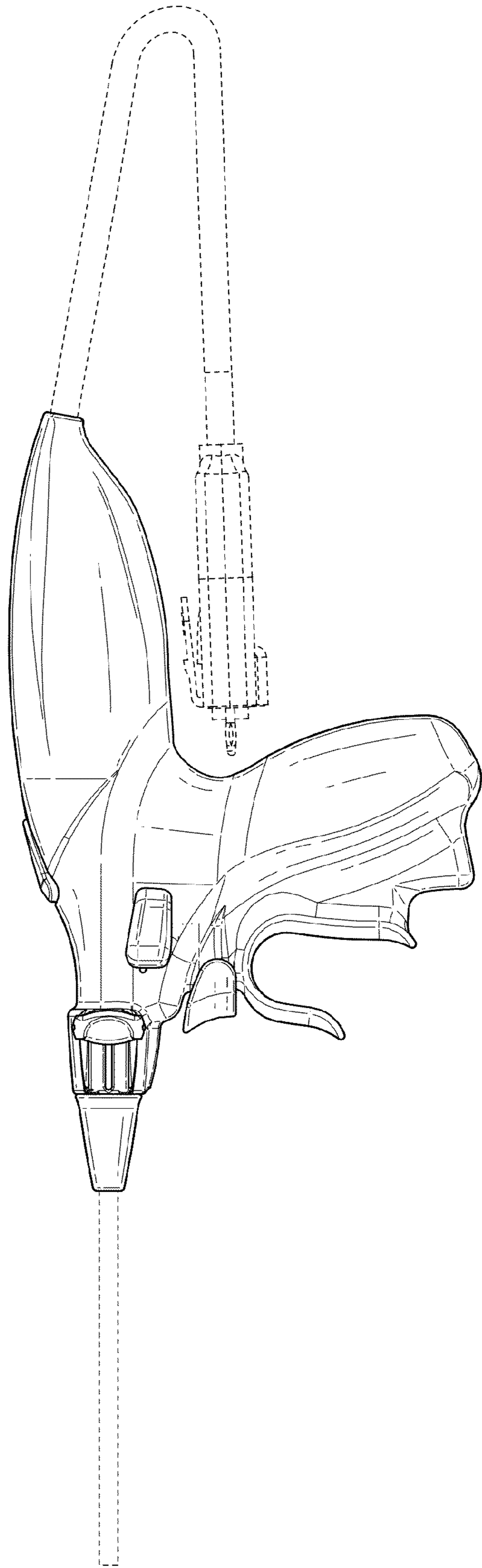


FIG. 5

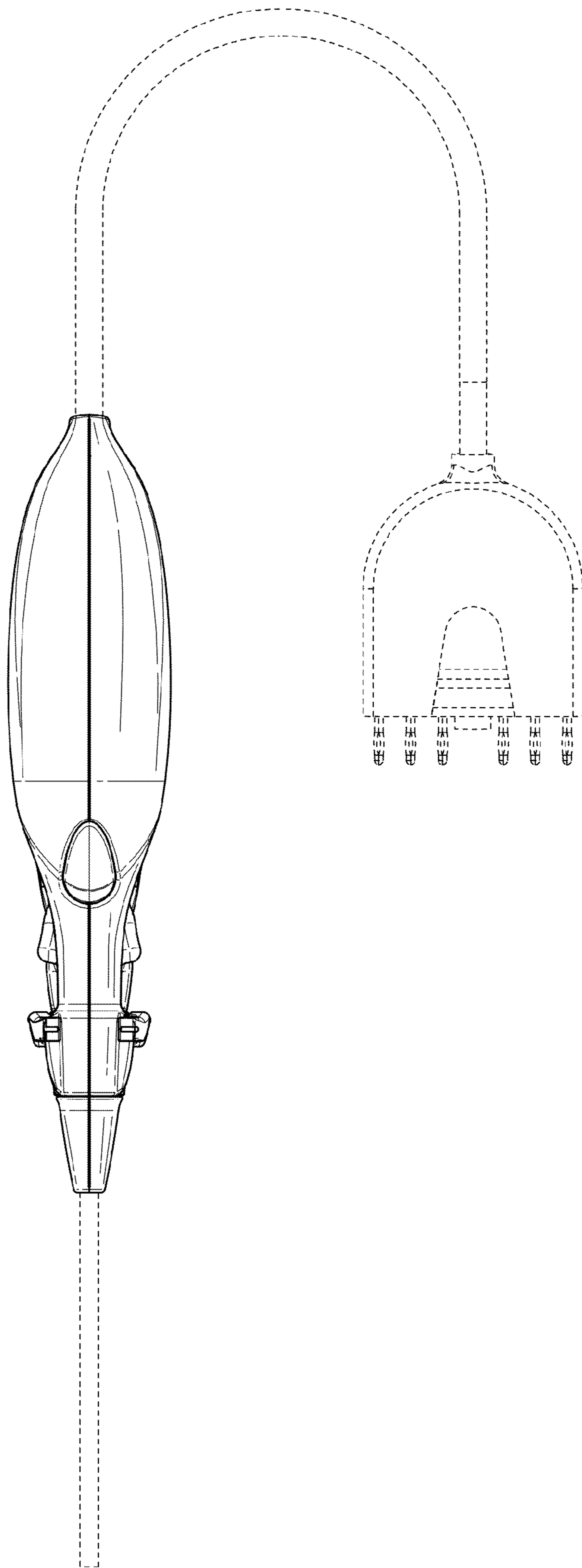


FIG. 6

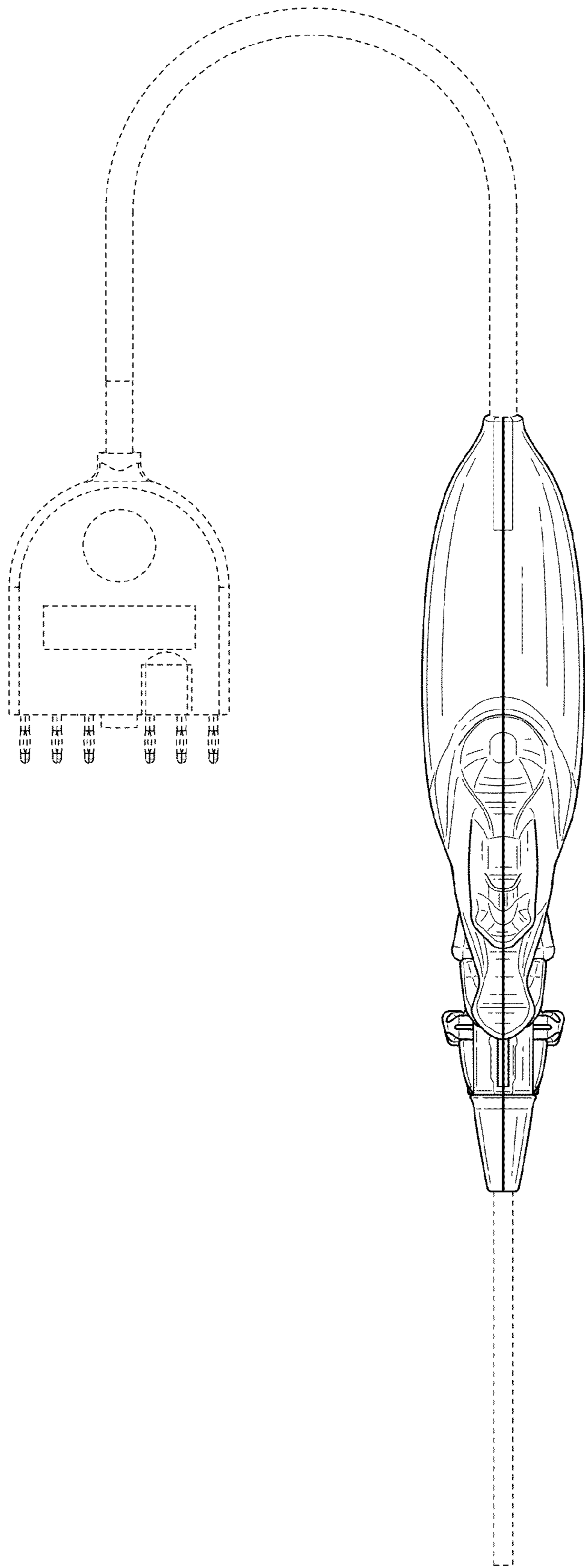


FIG. 7