



US00D731647S

(12) **United States Design Patent**
Nishioka et al.

(10) **Patent No.:** **US D731,647 S**

(45) **Date of Patent:** **** Jun. 9, 2015**

(54) **SYRINGE**

(71) Applicants: **FUSO PHARMACEUTICAL INDUSTRIES, LTD.**, Osaka-shi (JP); **3-D Matrix, Ltd.**, Chiyoda-ku (JP)

(72) Inventors: **Fukumitsu Nishioka**, Higashiosaka (JP); **Shoujiro Tanioka**, Osaka (JP); **Masahiro Nohara**, Shibuya-ku (JP); **Kiyoshi Takano**, Koganei (JP)

(73) Assignees: **FUSO PHARMACEUTICAL INDUSTRIES, LTD.**, Osaka (JP); **3-D MATRIX, LTD.**, Chiyoda-Ku, Tokyo (JP)

(**) **Term:** **14 Years**

(21) **Appl. No.:** **29/460,238**

(22) **Filed:** **Jul. 9, 2013**

(30) **Foreign Application Priority Data**

Jan. 10, 2013 (JP) 2013-000292

(51) **LOC (10) Cl.** **24-04**

(52) **U.S. Cl.**
USPC **D24/130**

(58) **Field of Classification Search**
USPC D24/110.6, 112-118, 120, 121, 127, D24/130, 131; 606/107, 181, 185; 623/6.12; 600/5, 356; 604/68-70, 411
See application file for complete search history.

(56) **References Cited**

U.S. PATENT DOCUMENTS

- D338,957 S * 8/1993 de Faire et al. D24/130
- D341,760 S * 11/1993 Armbruster et al. D8/68
- D452,311 S * 12/2001 Guala D24/112
- D460,820 S * 7/2002 Niedospial, Jr. D24/130
- D461,243 S * 8/2002 Niedospial, Jr. D24/130
- D543,278 S * 5/2007 Numata et al. D24/130

- D543,279 S * 5/2007 Numata et al. D24/130
- D543,625 S * 5/2007 Numata et al. D24/130
- D588,693 S * 3/2009 Strong et al. D24/129
- D617,894 S * 6/2010 Wright D24/121
- D649,242 S * 11/2011 Kosinski et al. D24/129
- D650,903 S * 12/2011 Kosinski et al. D24/130
- D657,462 S * 4/2012 Siroky D24/130

(Continued)

FOREIGN PATENT DOCUMENTS

- JP 2005-319069 A 11/2005
- JP D1413323 5/2011

OTHER PUBLICATIONS

Office Action issued on Mar. 18, 2014 by the Taiwan Patent Office in corresponding Taiwanese Design Patent Application No. 102304815, and an English Translation of the Office Action. (5 pages).

(Continued)

Primary Examiner — Garth Rademaker

Assistant Examiner — Samantha Q Lawrence

(74) *Attorney, Agent, or Firm* — Buchanan Ingersoll & Rooney PC

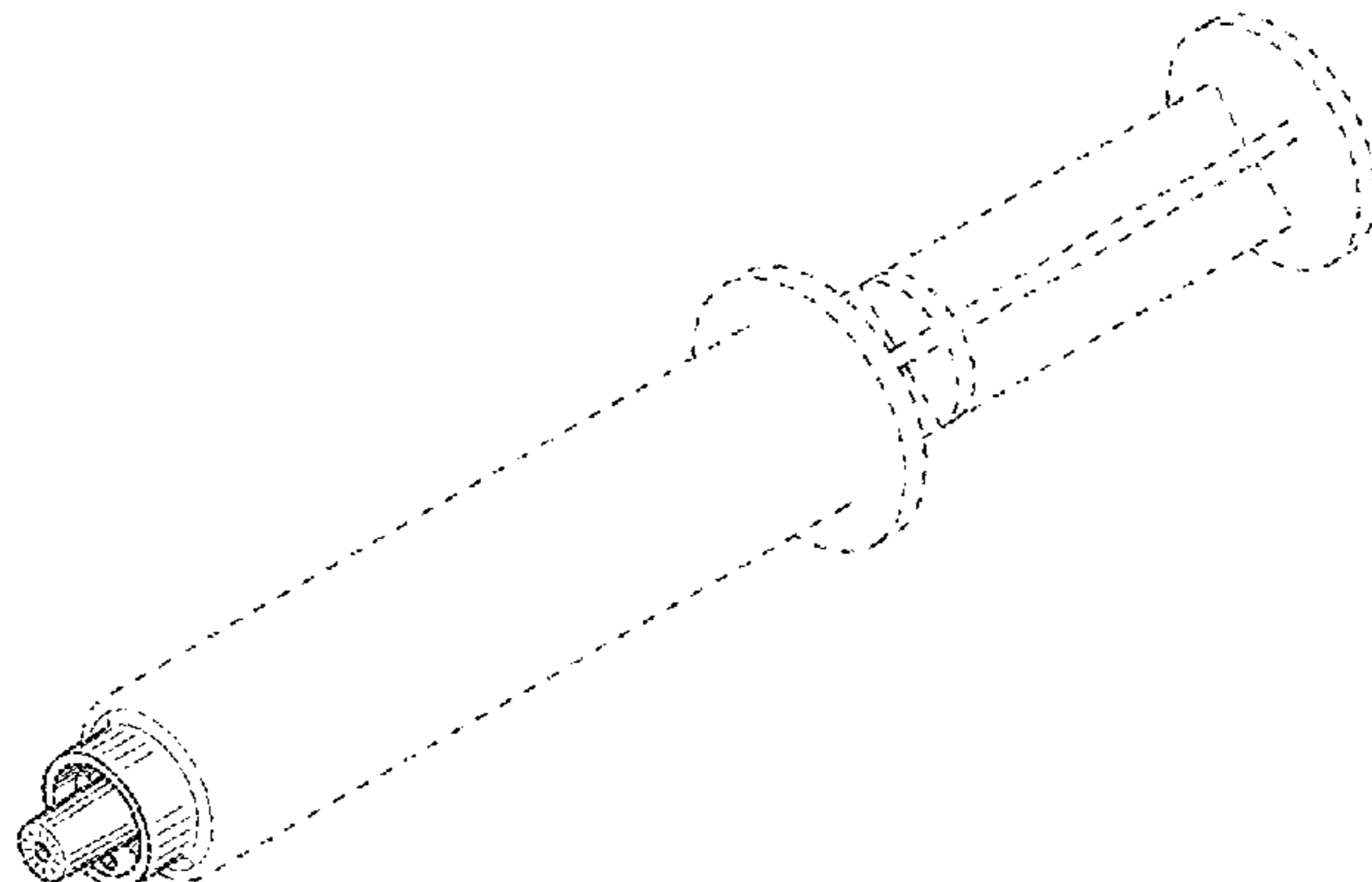
(57) **CLAIM**

The ornamental design for a syringe, as shown and described.

DESCRIPTION

FIG. 1 is a perspective view of a syringe showing our new design;
FIG. 2 is a front elevational view thereof;
FIG. 3 is a rear elevational view thereof;
FIG. 4 is a left side view thereof;
FIG. 5 is a right side view thereof;
FIG. 6 is a top plan view thereof; and,
FIG. 7 is a bottom plan view thereof.
The broken lines illustrate portions of the syringe that form no part of the claimed design. The dash-dot line represents the boundary of the claimed design.

1 Claim, 2 Drawing Sheets



(56)

References Cited

U.S. PATENT DOCUMENTS

D663,023	S	*	7/2012	Strong et al.	D24/130
D698,020	S	*	1/2014	Takemoto	D24/130
D712,025	S	*	8/2014	Kawamura	D24/112
D713,030	S	*	9/2014	Takemoto	D24/130
D714,935	S	*	10/2014	Nishioka et al.	D24/130

OTHER PUBLICATIONS

Office Action (Preliminary Notice of Rejection) issued on Jan. 7, 2014, by the Japanese Patent Office in corresponding Japanese Patent Application No. 2013-000292 and an English translation of the Office Action. (3 pages).

* cited by examiner

Fig. 1

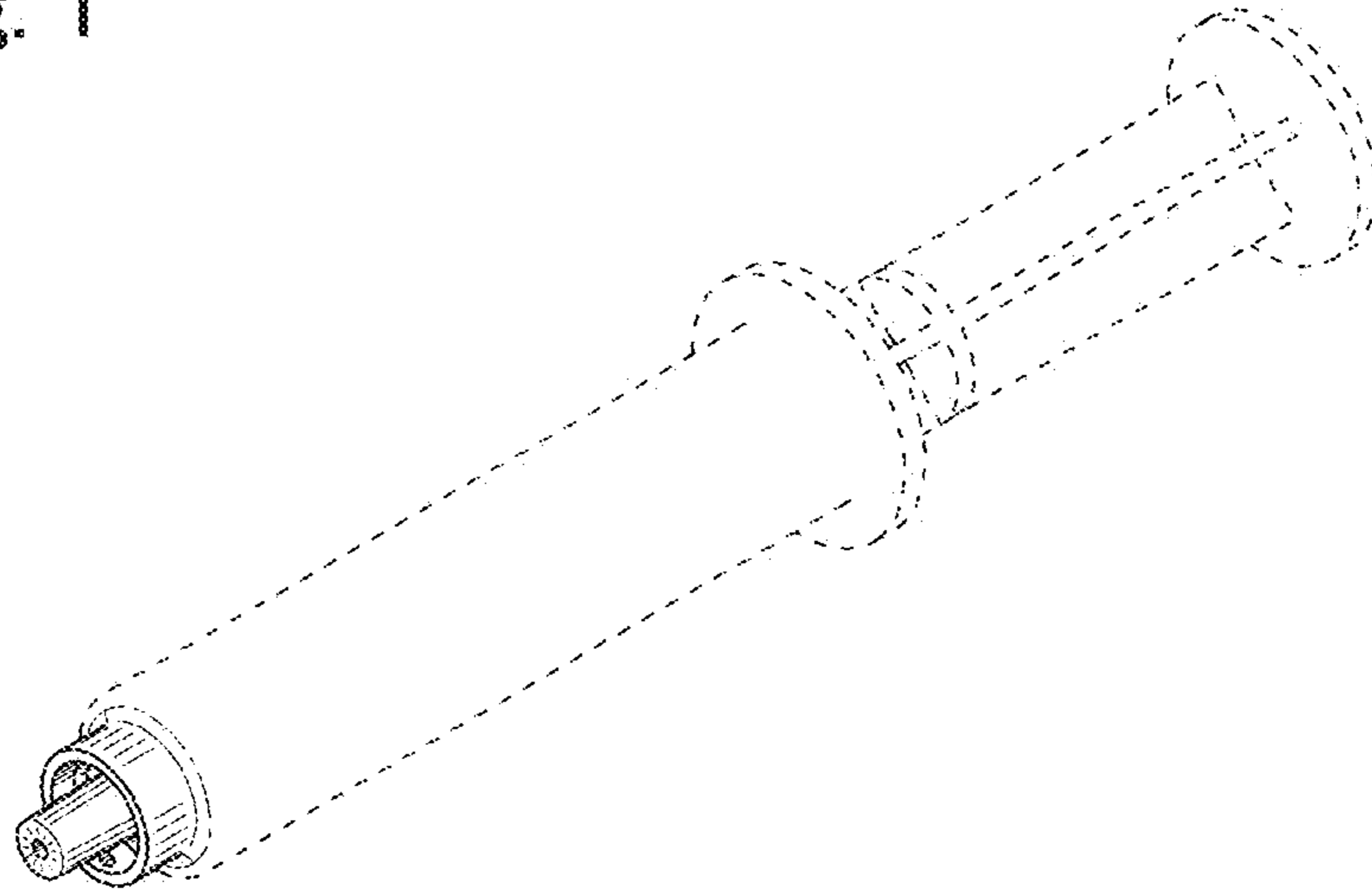


Fig. 2

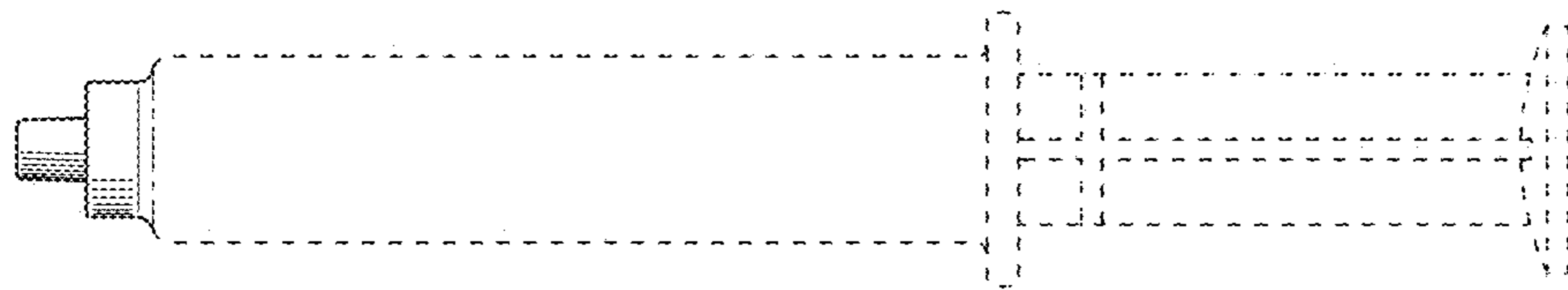


Fig. 3

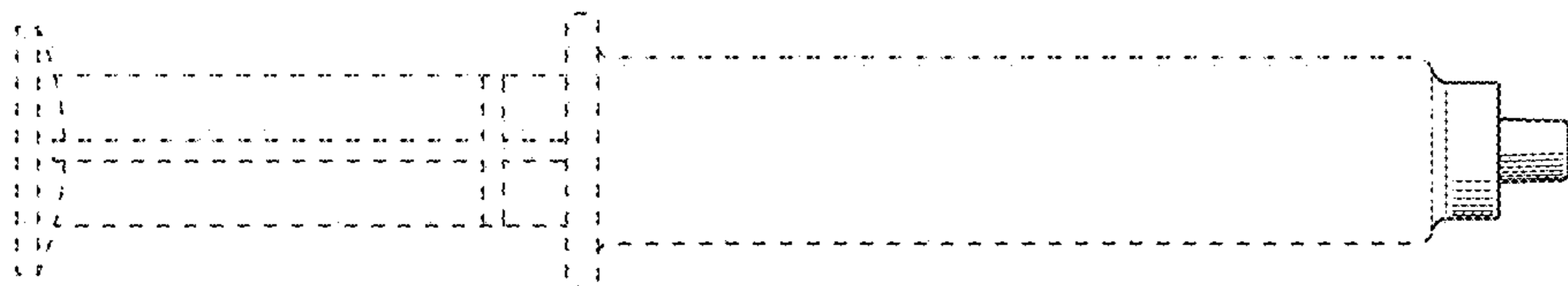


Fig. 4

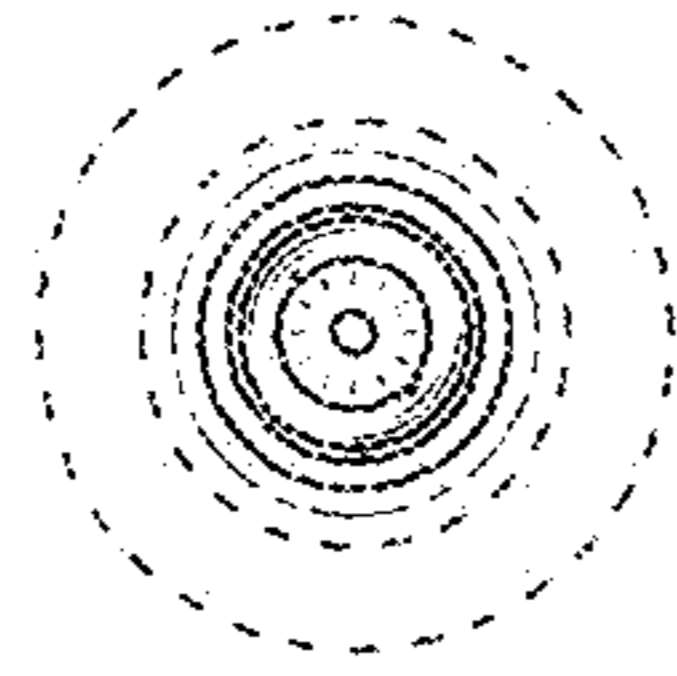


Fig. 5

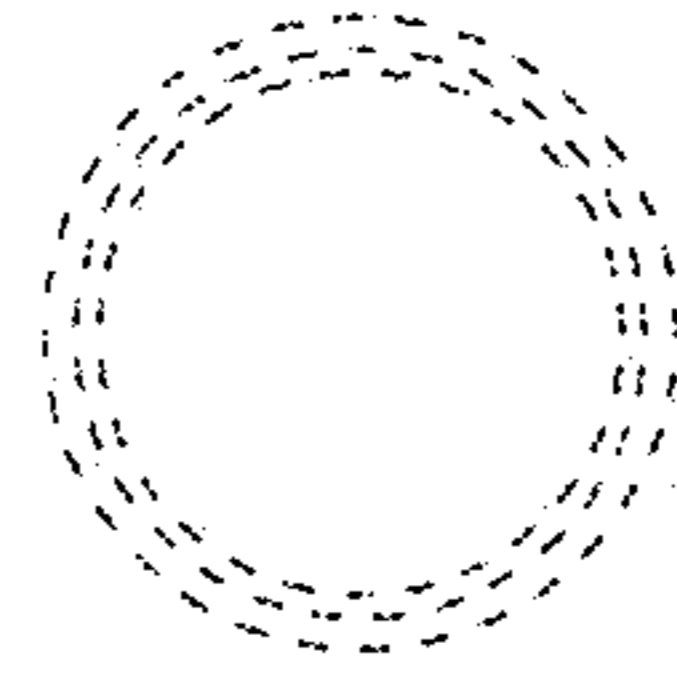


Fig. 6

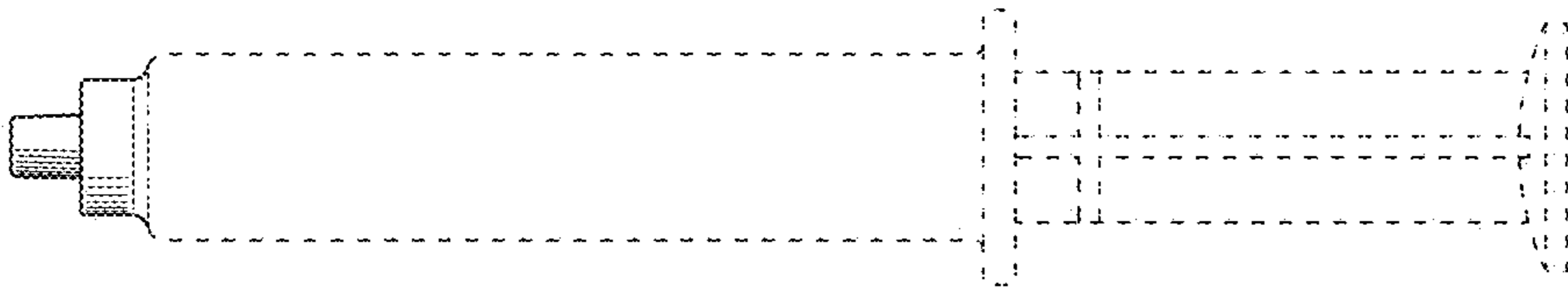


Fig. 7

