

US00D731643S

(12) **United States Design Patent**
Bullington et al.

(10) **Patent No.:** **US D731,643 S**

(45) **Date of Patent:** **** Jun. 9, 2015**

(54) **BODILY-FLUID SAMPLING DEVICE**

(71) Applicants: **Gregory J. Bullington**, San Francisco, CA (US); **Richard G. Patton**, Seattle, WA (US); **Shan E. Gaw**, Seattle, WA (US); **Jay M. Miazga**, Seattle, WA (US)

(72) Inventors: **Gregory J. Bullington**, San Francisco, CA (US); **Richard G. Patton**, Seattle, WA (US); **Shan E. Gaw**, Seattle, WA (US); **Jay M. Miazga**, Seattle, WA (US)

(73) Assignee: **Magnolia Medical Technologies, Inc.**, Seattle, WA (US)

(**) Term: **14 Years**

(21) Appl. No.: **29/434,421**

(22) Filed: **Oct. 12, 2012**

(51) **LOC (10) Cl.** **24-02**

(52) **U.S. Cl.**
USPC **D24/117**

(58) **Field of Classification Search**
USPC D24/112-114, 133, 186, 130, 127, 129, D24/108, 117; 600/400, 473-476, 101, 139, 600/143; 606/15-16, 181, 185; 604/264, 604/280, 256, 164, 283, 174; 128/200.24, 128/207.14, 207.15

See application file for complete search history.

(56) **References Cited**

U.S. PATENT DOCUMENTS

5,307,994 A * 5/1994 Hieronymus 239/340
5,807,338 A * 9/1998 Smith et al. 604/164.01
5,842,638 A * 12/1998 Reents et al. 239/1

6,159,164 A * 12/2000 Neese et al. 600/578
D503,213 S * 3/2005 Stevens et al. D23/225
D532,514 S * 11/2006 Schmal D24/133
7,258,694 B1 * 8/2007 Choi et al. 606/184
7,377,452 B2 * 5/2008 Jones et al. 239/112
D570,956 S * 6/2008 Everett et al. D23/225
7,798,429 B1 * 9/2010 Porter 239/525
8,535,241 B2 * 9/2013 Bullington et al. 600/579
2010/0322795 A1 * 12/2010 Jones et al. 417/415
2011/0152910 A1 * 6/2011 Smith 606/185

* cited by examiner

Primary Examiner — David Muller

Assistant Examiner — Nathan Johnston

(74) *Attorney, Agent, or Firm* — Cooley LLP

(57) **CLAIM**

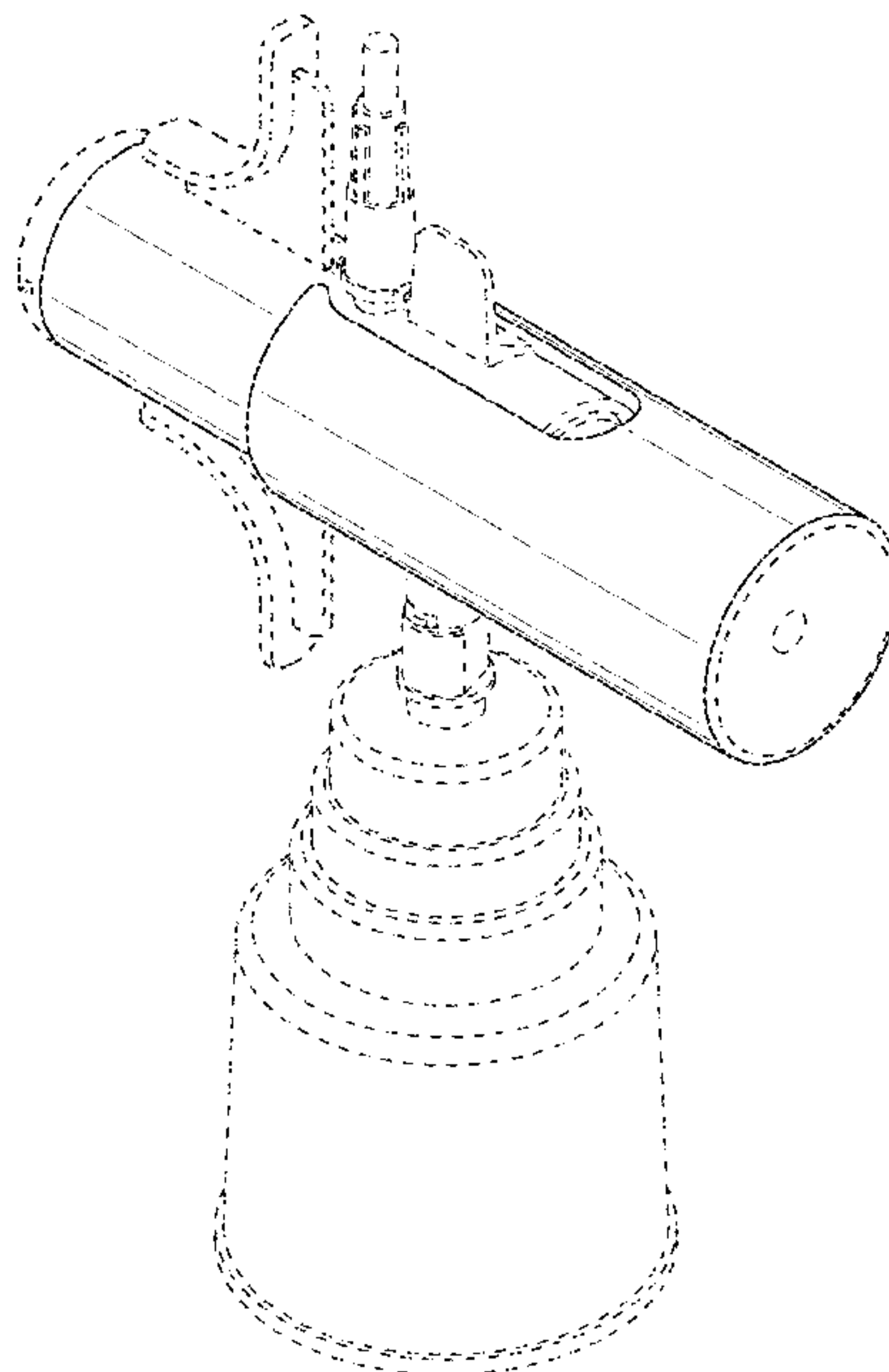
The ornamental design for a bodily-fluid sampling device, as shown and described.

DESCRIPTION

FIG. 1 is a top perspective view of an embodiment of the bodily-fluid sampling device;
FIG. 2 is a bottom perspective view thereof;
FIG. 3 is a front view thereof;
FIG. 4 is a back view thereof;
FIG. 5 is a left side view thereof;
FIG. 6 is a right side view thereof;
FIG. 7 is a top view thereof; and,
FIG. 8 is a bottom view thereof.

The broken lines immediately adjacent the shaded areas represent the bounds of the claimed design while all other broken lines are directed to environment and are for illustrative purposes only; the broken lines form no part of the claimed design.

1 Claim, 7 Drawing Sheets



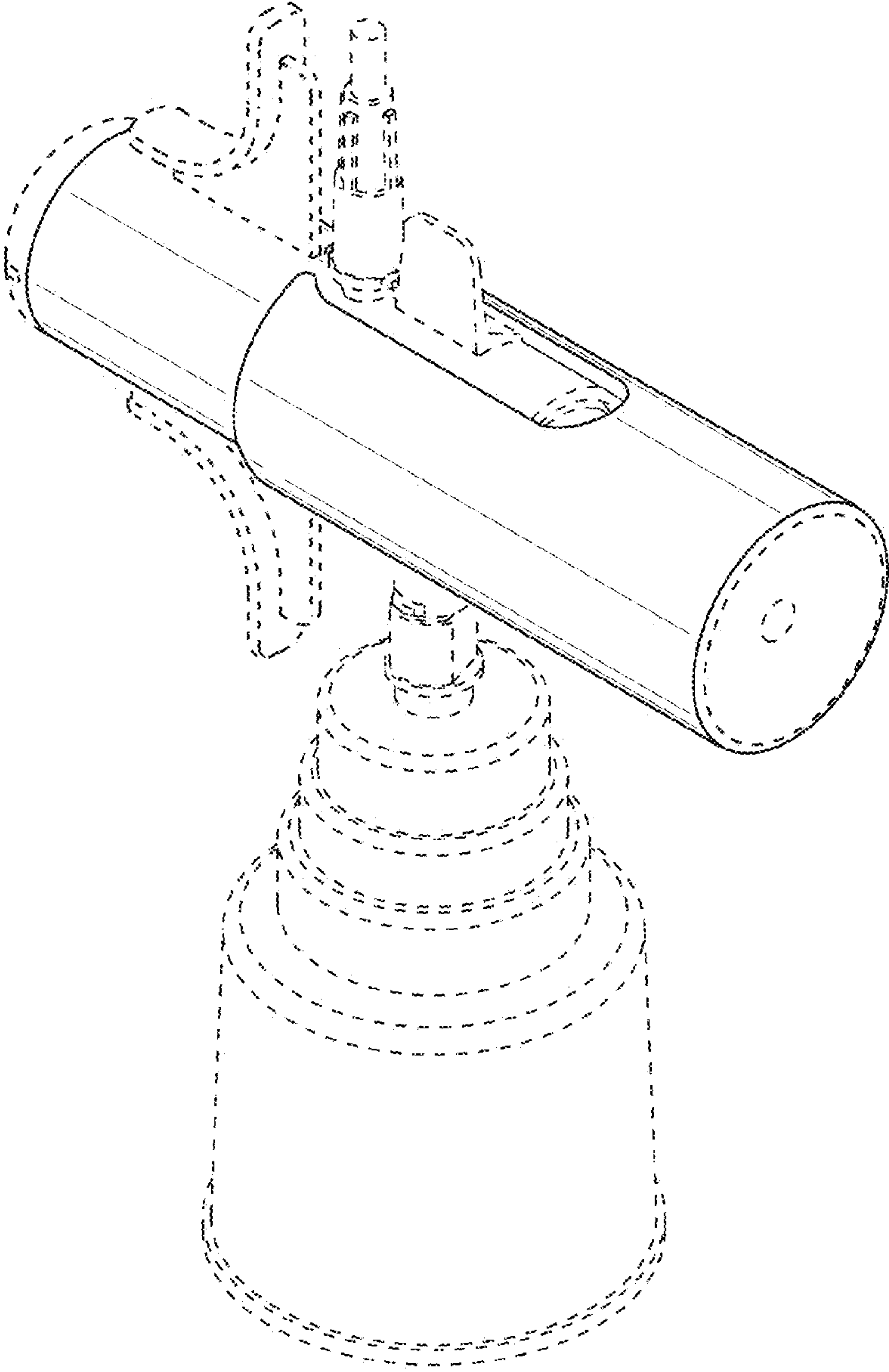


FIG. 1

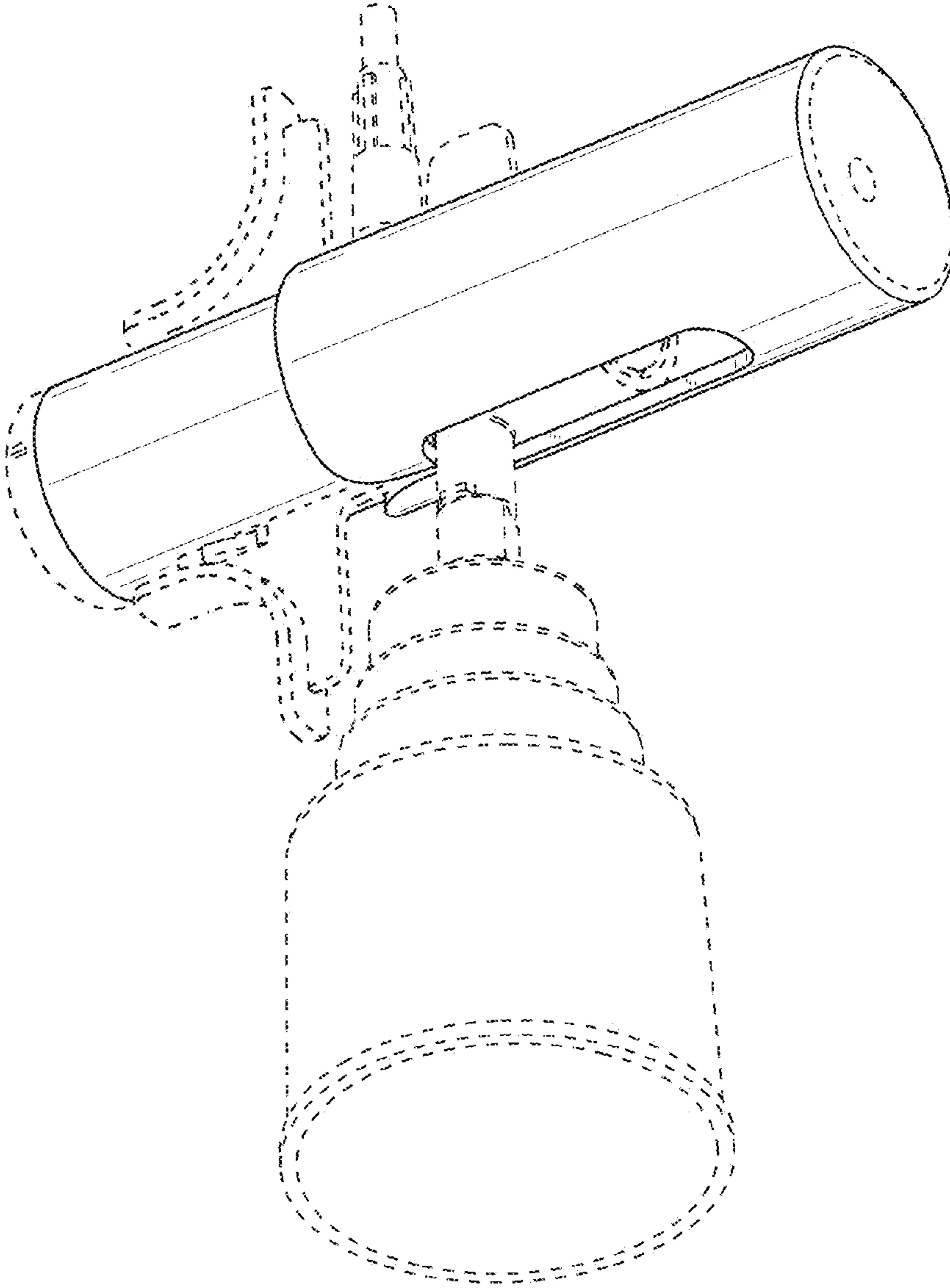


FIG. 2

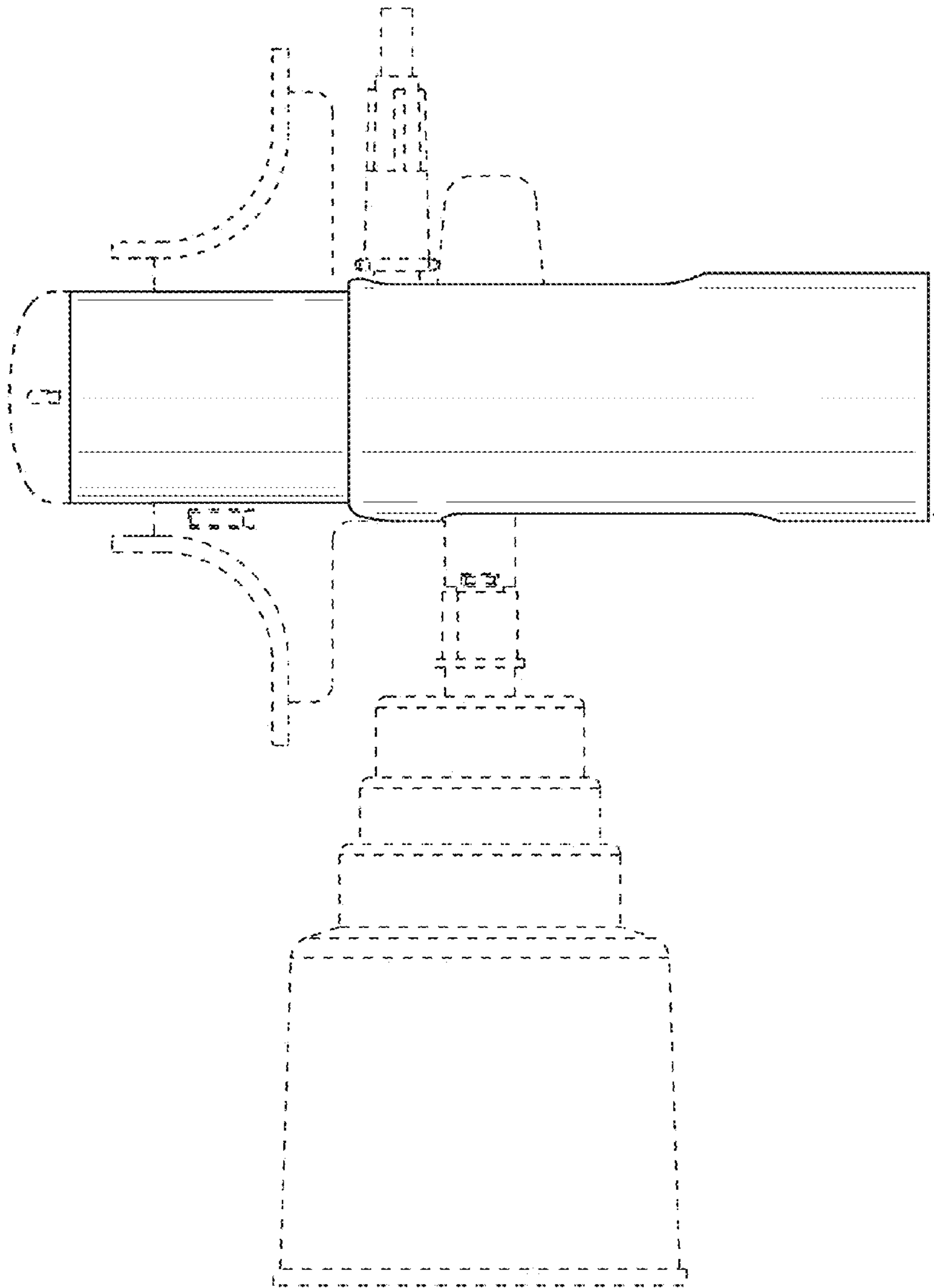


FIG. 3

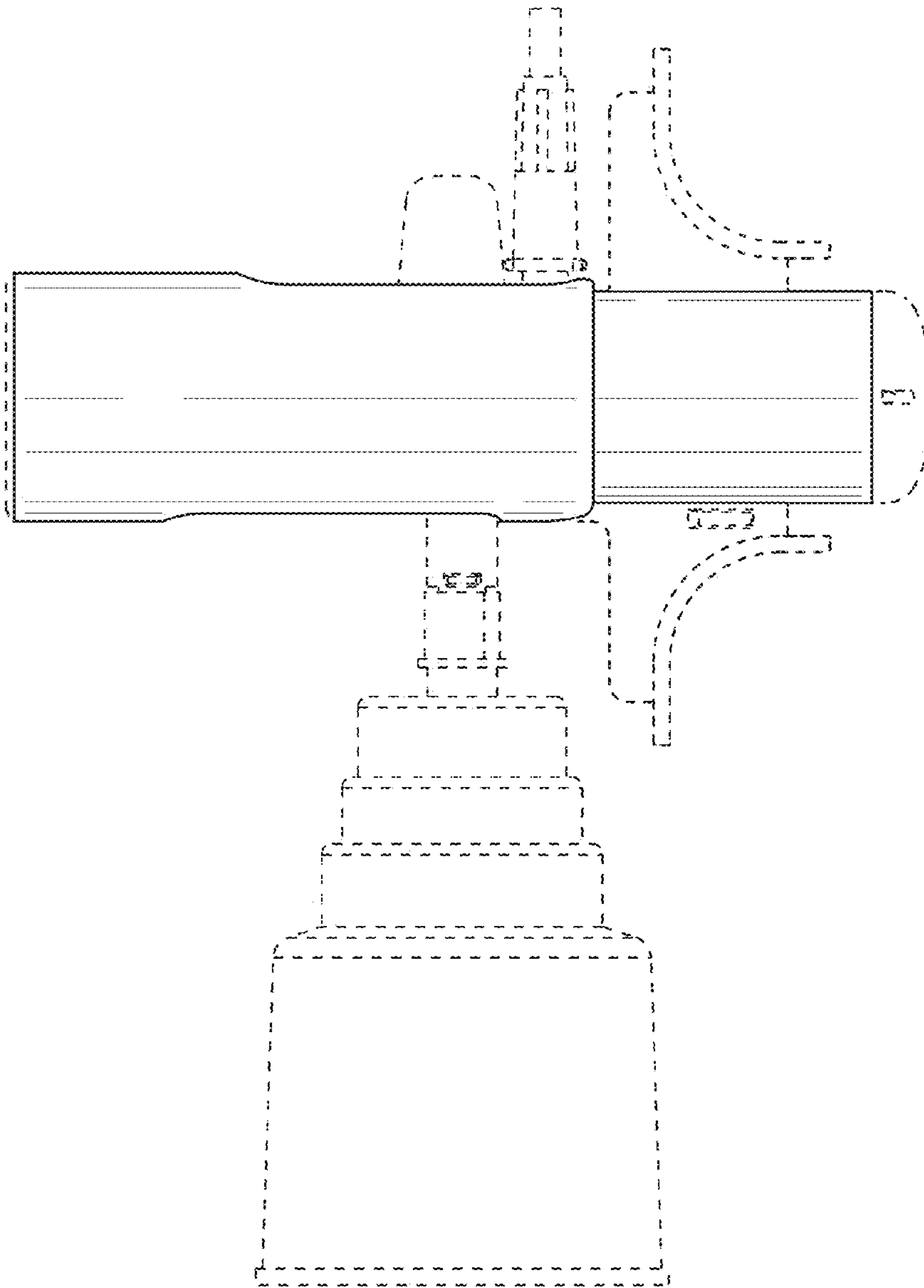


FIG. 4

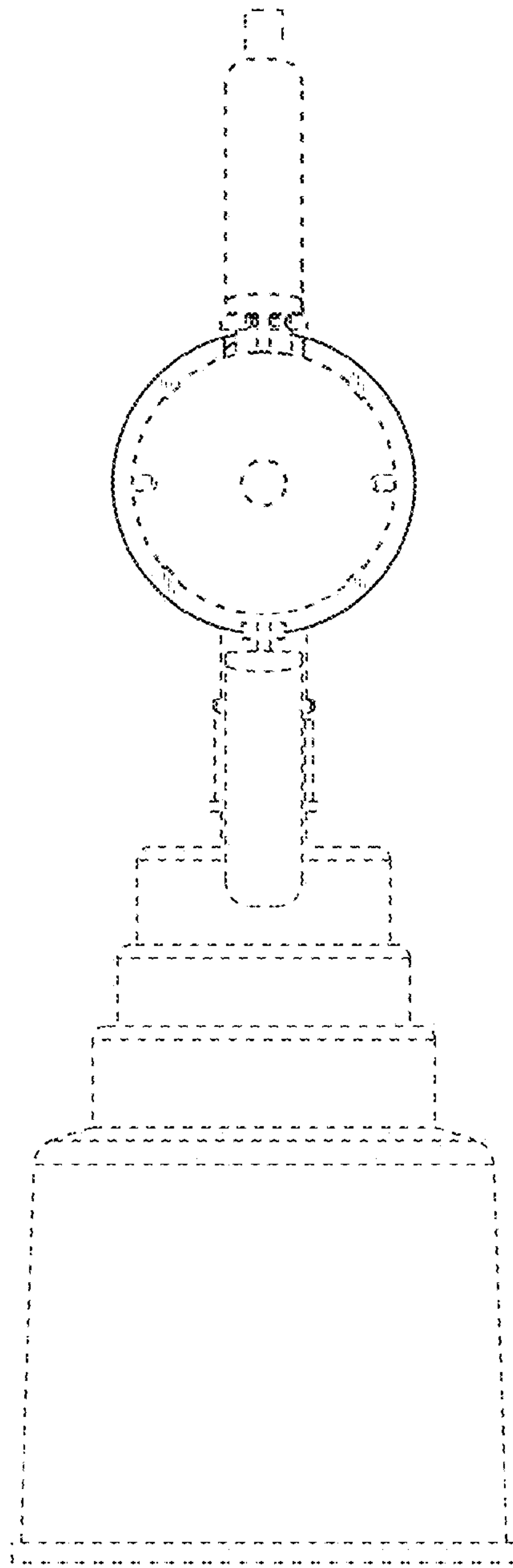


FIG. 5

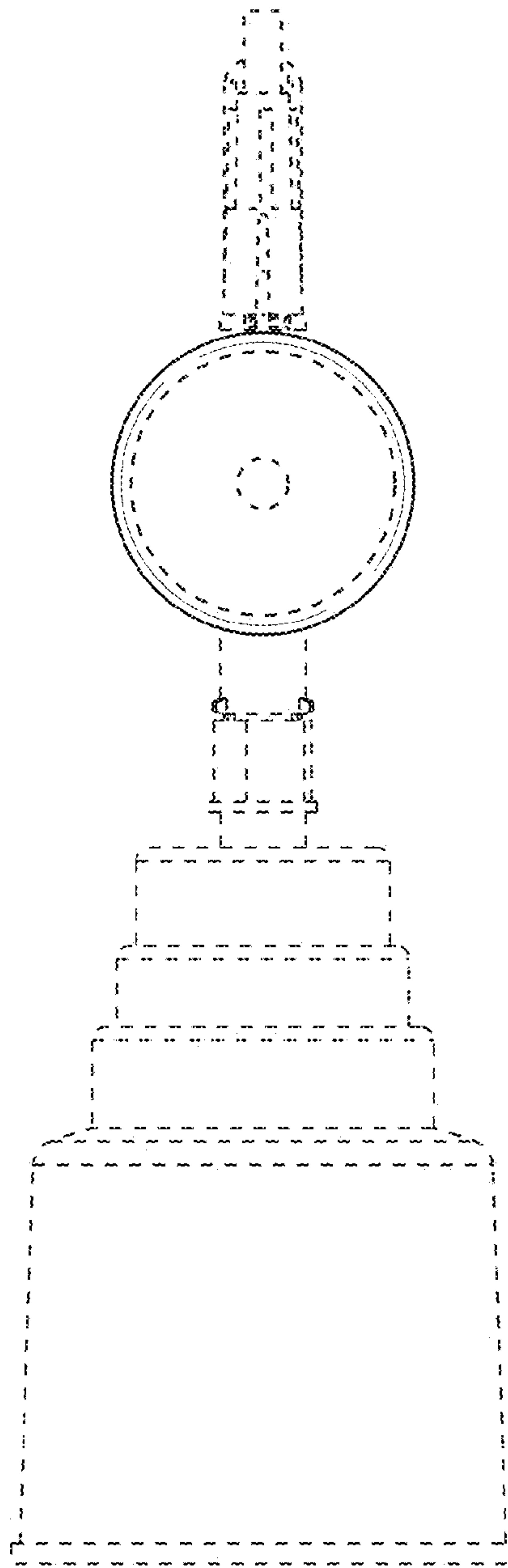


FIG. 6

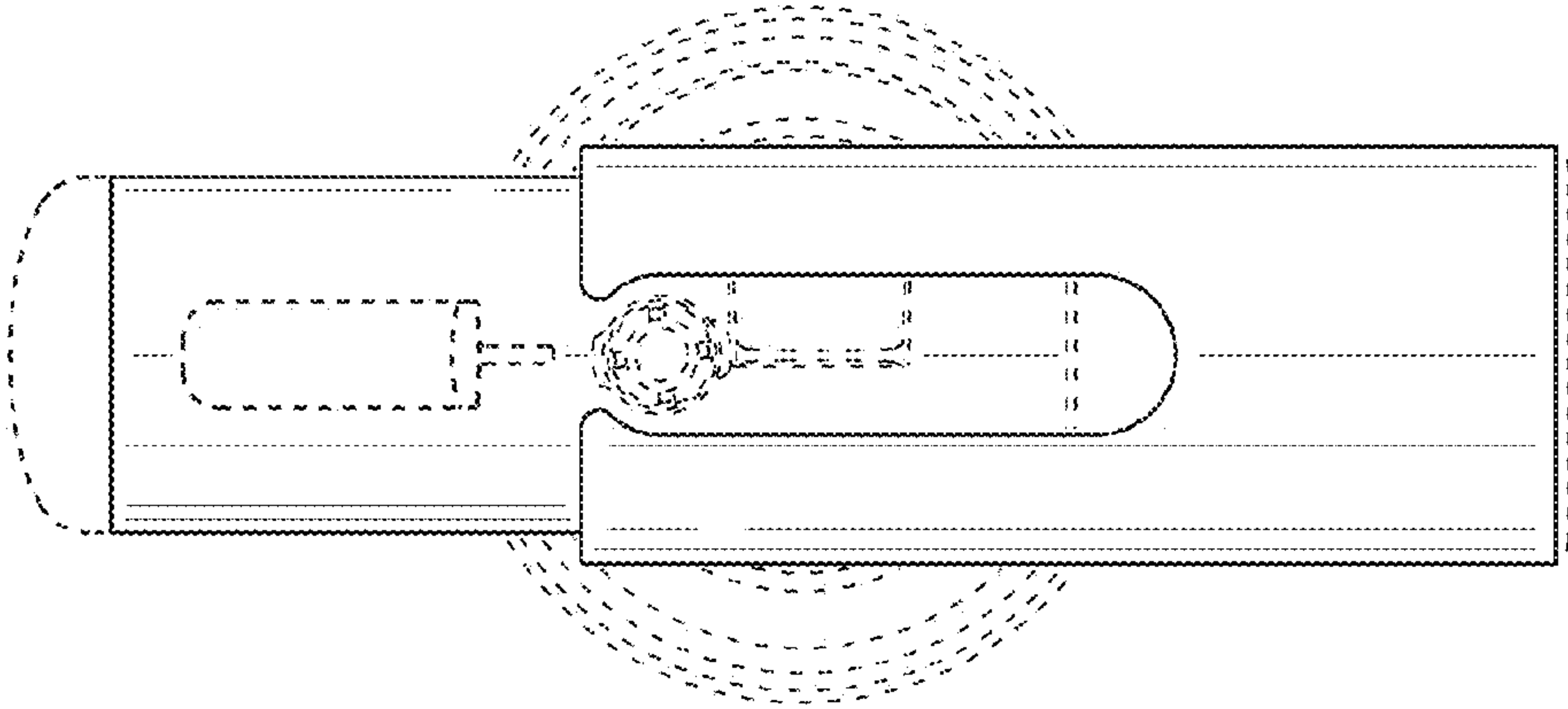


FIG. 7

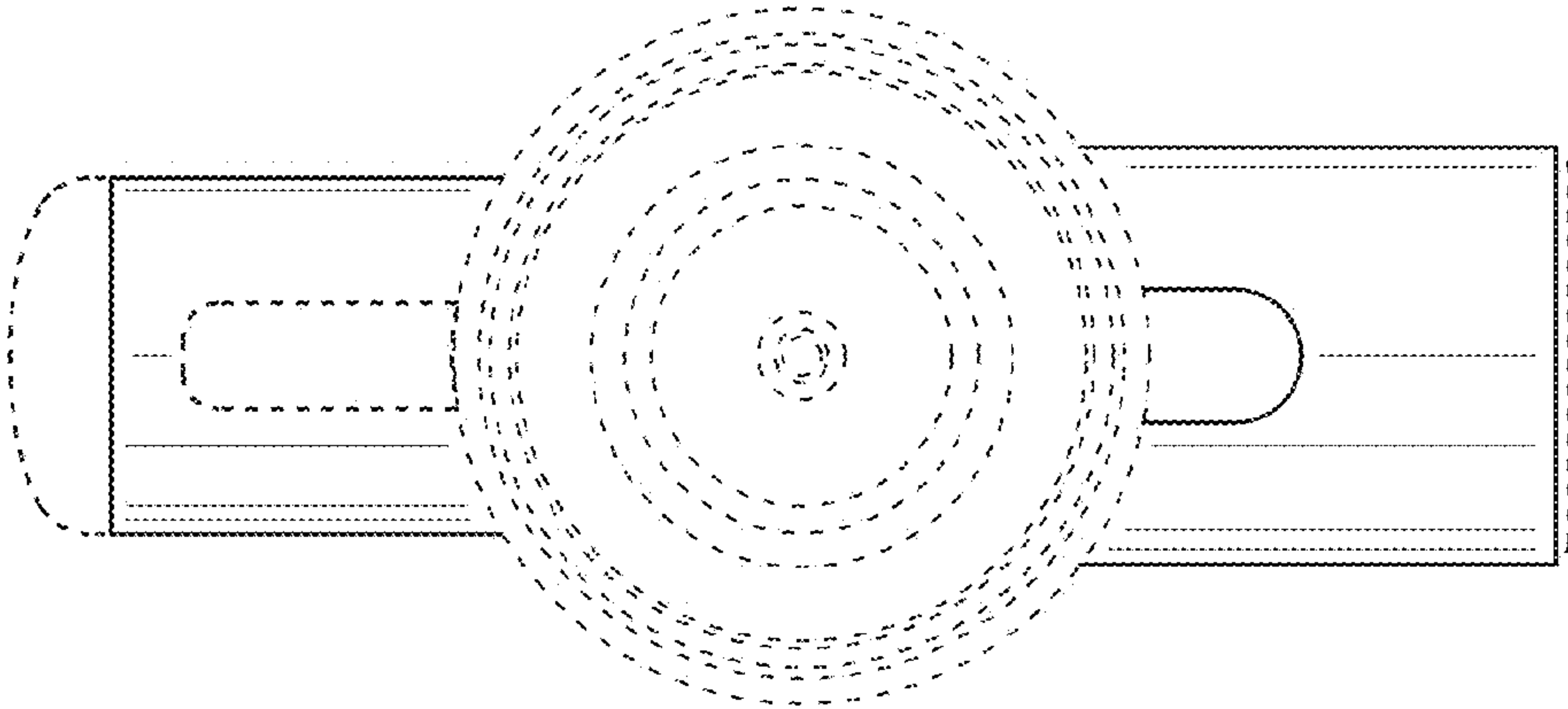


FIG. 8