



US00D731642S

(12) **United States Design Patent**
Cehajic

(10) **Patent No.:** **US D731,642 S**
(45) **Date of Patent:** **** Jun. 9, 2015**

(54) **CONTAINER FOR LIQUID**
(75) Inventor: **Nermin Cehajic**, Orlando, FL (US)
(73) Assignee: **Nephron Pharmaceuticals Corporation**, Orlando, FL (US)
(**) Term: **14 Years**
(21) Appl. No.: **29/420,647**
(22) Filed: **May 11, 2012**
(51) **LOC (10) Cl.** **24-02**
(52) **U.S. Cl.**
USPC **D24/115**
(58) **Field of Classification Search**
USPC D24/115, 108, 224, 223, 226; 222/209,
222/207, 215, 541.6, 541.4, 541.9;
D9/695-699, 529; 206/528; 604/3,
604/298; 215/47, 48; 128/200.24
CPC B65D 1/095; A61J 2205/20; A61J 1/067;
Y10T 428/1352
See application file for complete search history.

D492,407 S * 6/2004 Masuda et al. D24/115
D515,936 S * 2/2006 Ko D9/696
D517,207 S * 3/2006 Poynter D24/115

* cited by examiner

Primary Examiner — David Muller
Assistant Examiner — Nathan Johnston
(74) *Attorney, Agent, or Firm* — Joseph R. Englander; Shutts & Bowen LLP

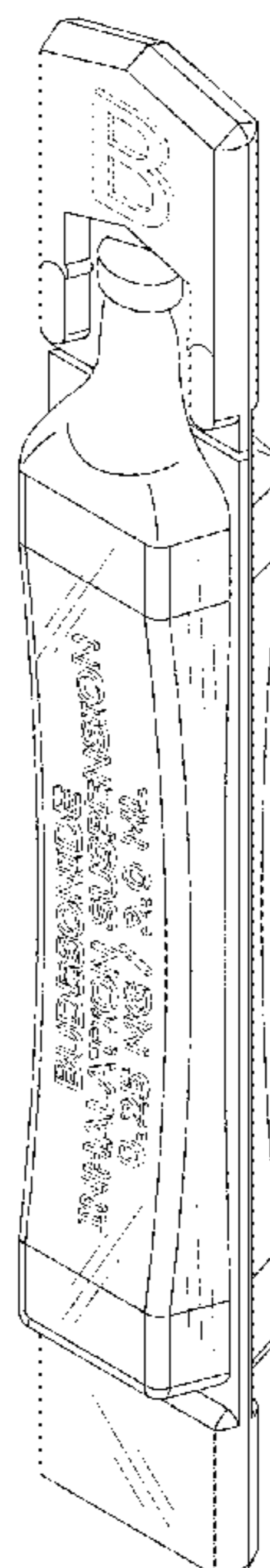
(57) **CLAIM**
The ornamental design for a container for liquid, as shown and described.

DESCRIPTION

FIG. 1 is a perspective view of a first embodiment of the container, showing the new design;
FIG. 2 is a front view thereof;
FIG. 3 is a rear view thereof;
FIG. 4 is a side view thereof;
FIG. 5 is a top view thereof;
FIG. 6 is a bottom view thereof;
FIG. 7 is a perspective view of a plurality of the containers of FIG. 1 arranged in a package according to a second embodiment of the present invention.
FIG. 8 is a front view thereof;
FIG. 9 is a rear view thereof;
FIG. 10 is a side view thereof;
FIG. 11 is a top view thereof; and,
FIG. 12 is a bottom view thereof.
The broken line showing on the container in FIGS. 1-12 is included for the purpose of illustrating environment and forms no part of the claimed design.

(56) **References Cited**
U.S. PATENT DOCUMENTS
D237,942 S * 12/1975 Welker et al. D24/117
3,993,223 A * 11/1976 Welker et al. 222/107
D309,097 S * 7/1990 Price D9/696
D329,976 S * 10/1992 Newell et al. D9/696
5,409,125 A * 4/1995 Kimber et al. 215/48
D362,304 S * 9/1995 Wilson et al. D9/696
D362,390 S * 9/1995 Weiler D9/696
D471,628 S * 3/2003 Louviere D24/115
D489,820 S * 5/2004 Masuda et al. D24/115
D492,406 S * 6/2004 Masuda et al. D24/115

1 Claim, 8 Drawing Sheets



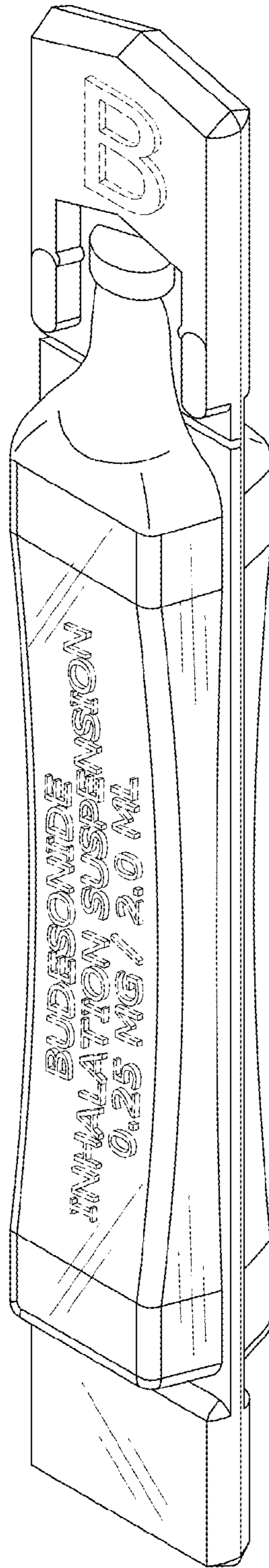


FIG. 1

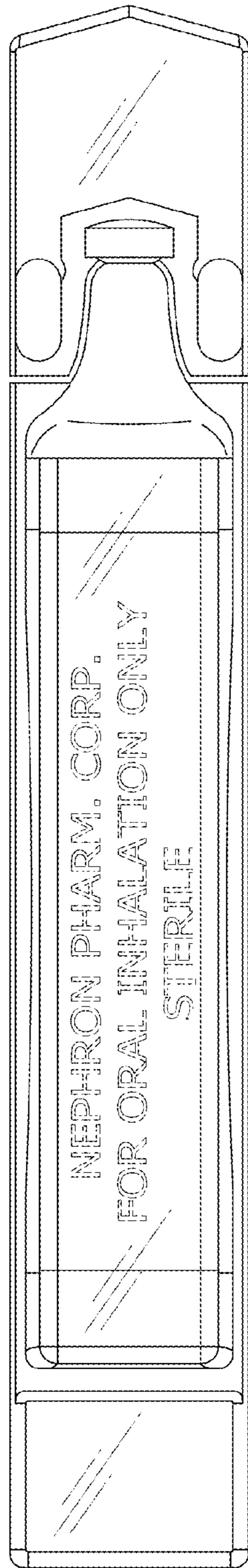


FIG. 2

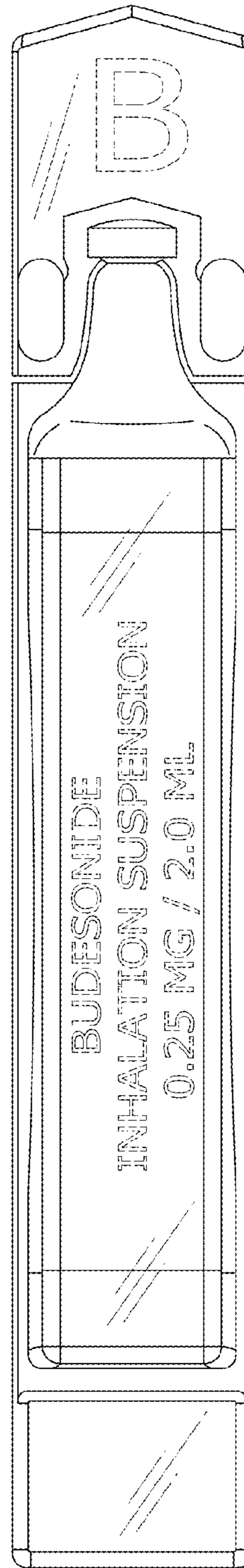


FIG. 3

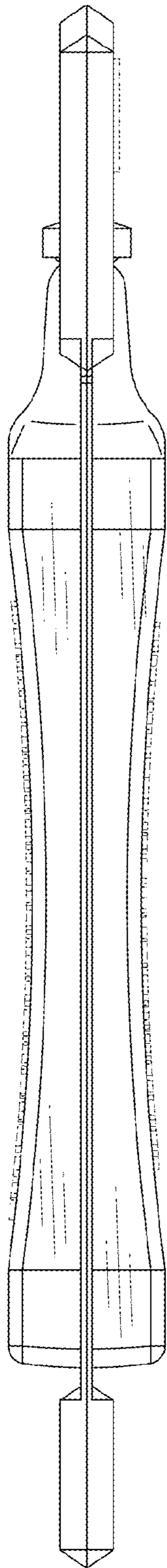


FIG. 4

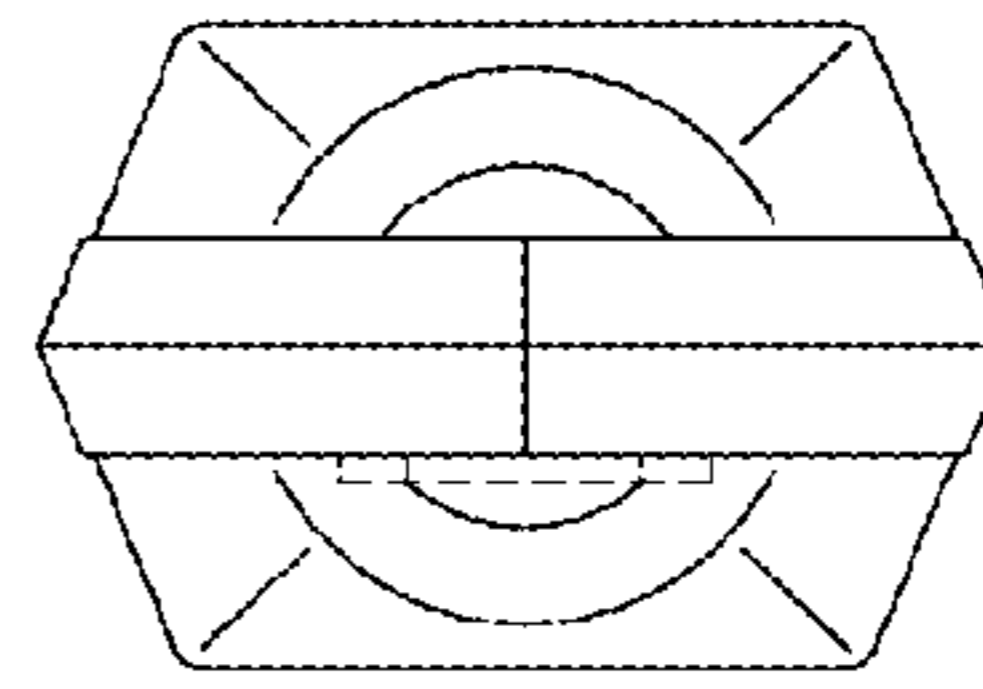


FIG. 5

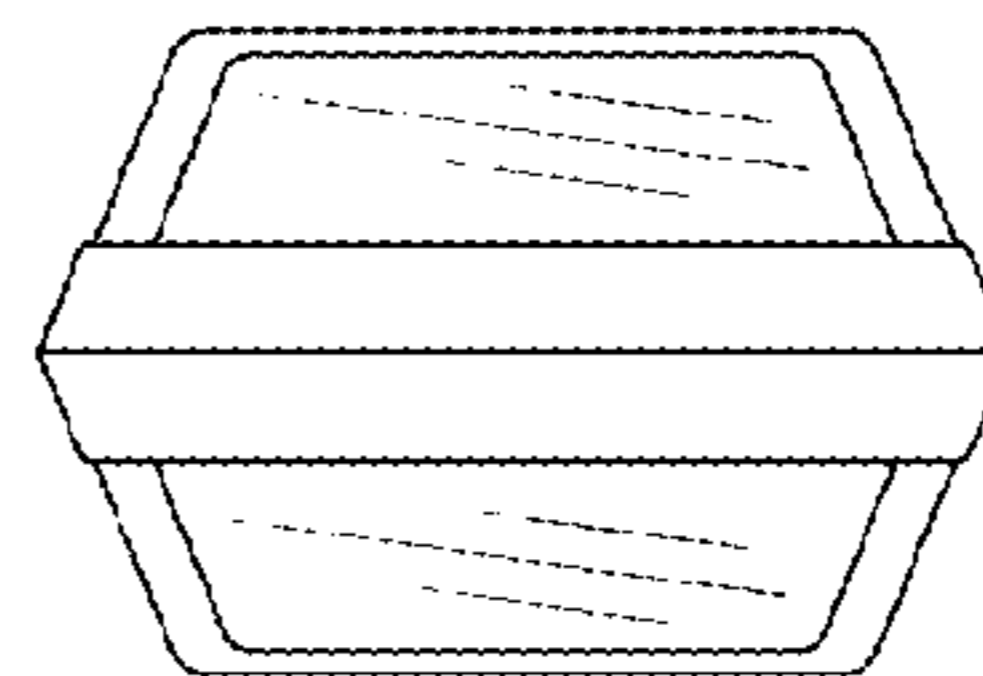


FIG. 6

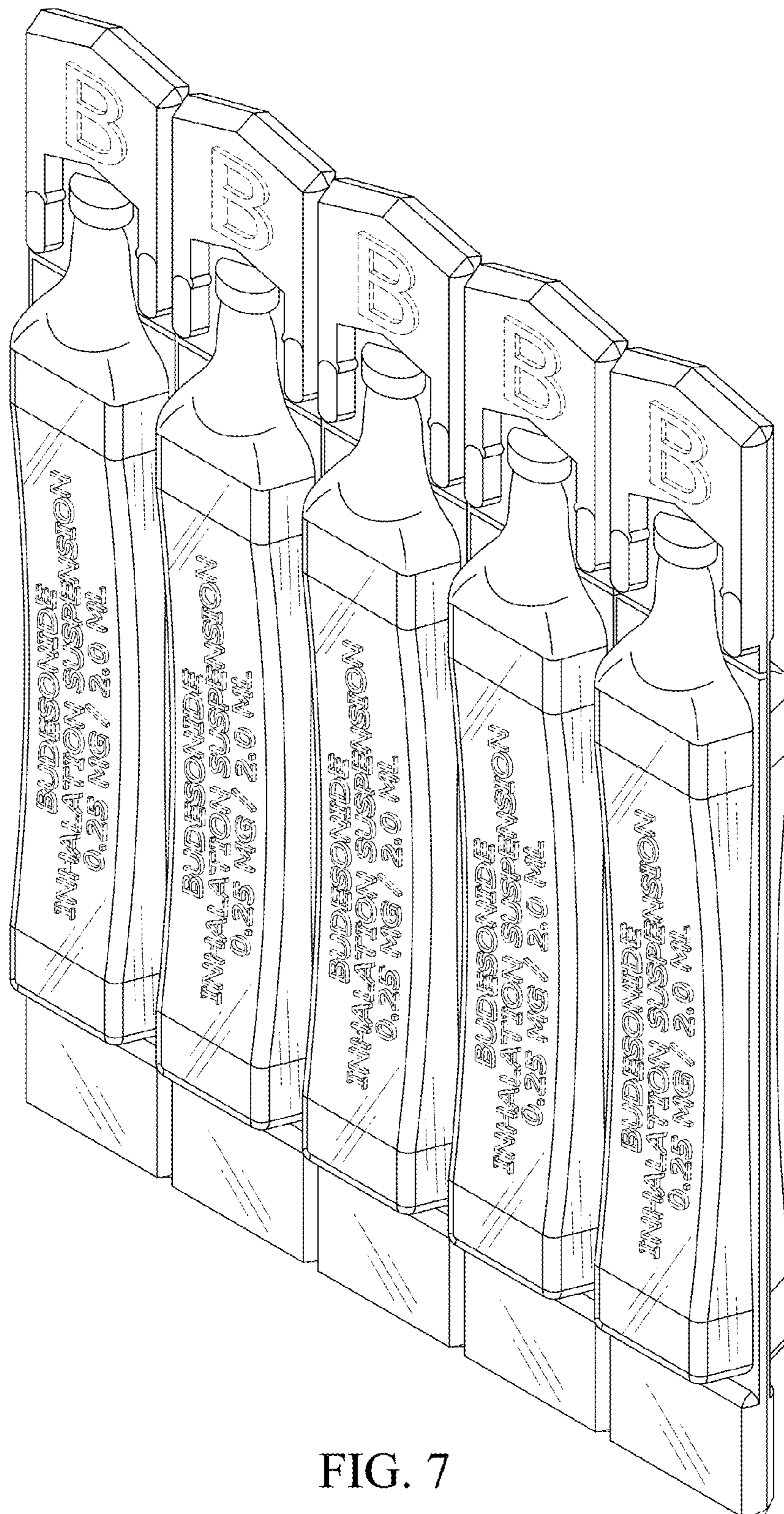


FIG. 7

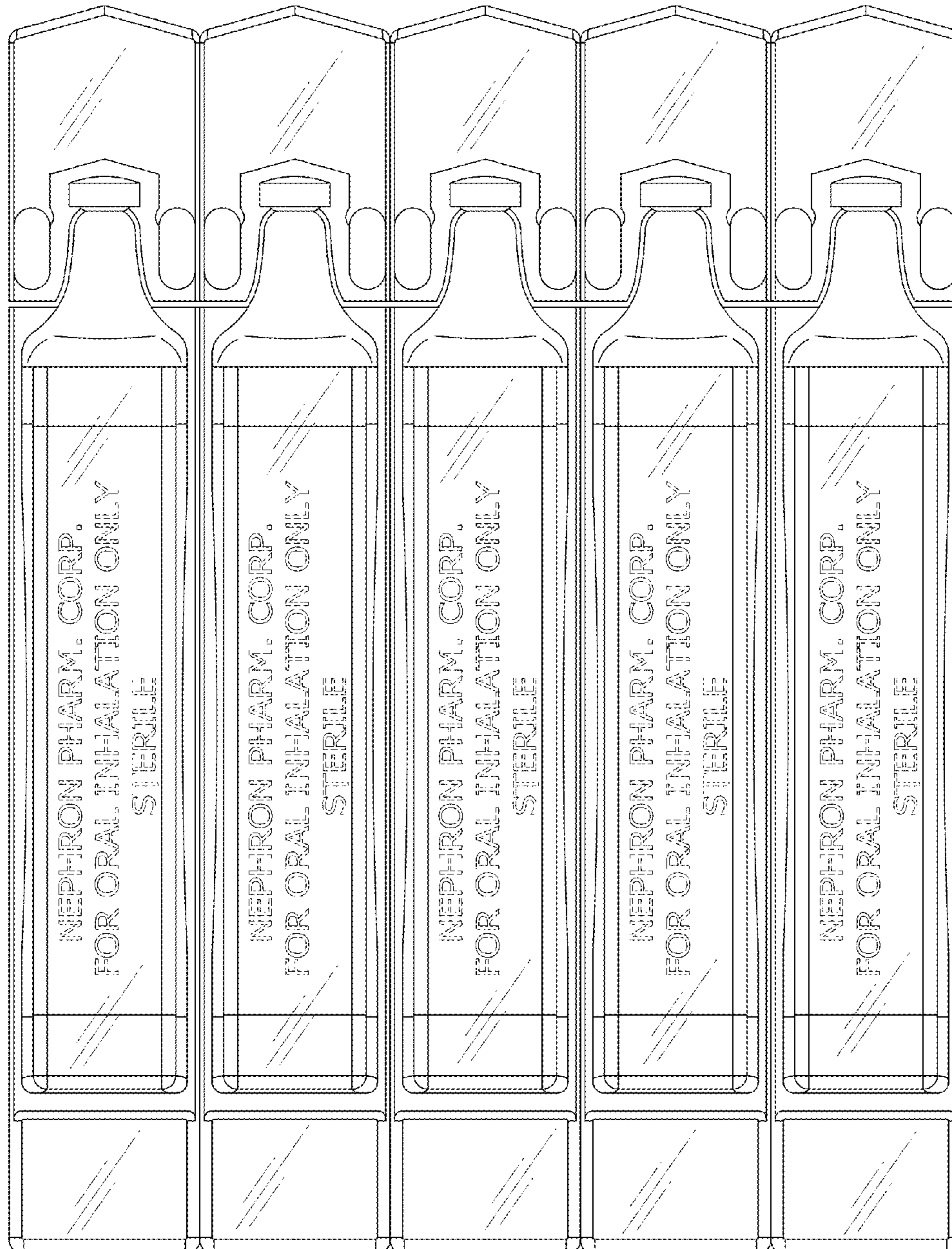


FIG. 8

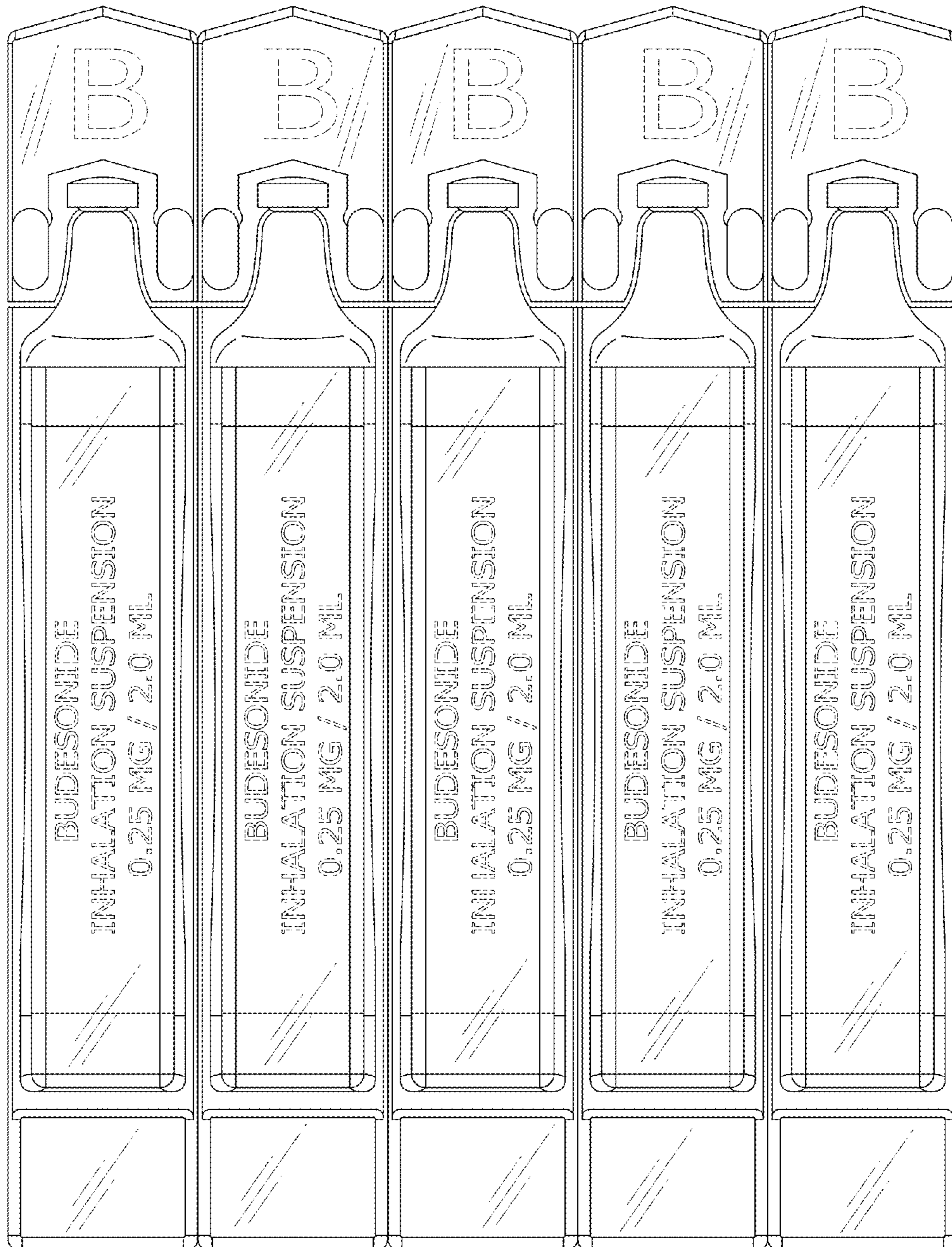


FIG. 9

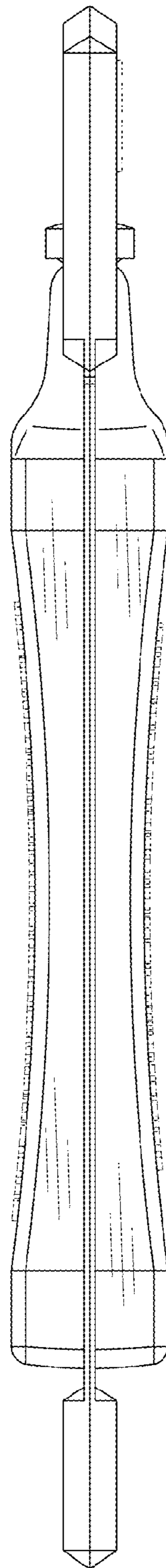


FIG. 10

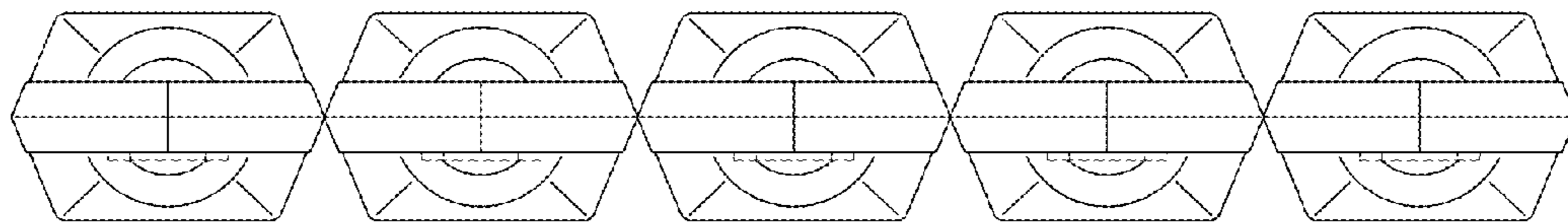


FIG. 11

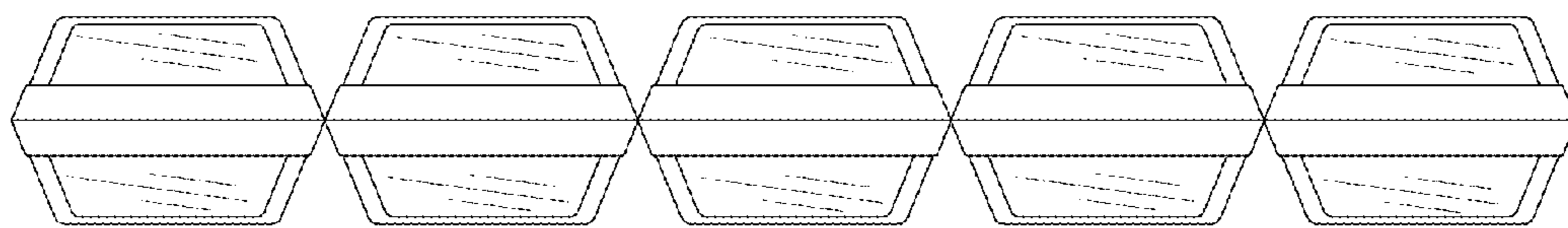


FIG. 12