



US00D731640S

(12) **United States Design Patent**
Kim et al.

(10) **Patent No.:** **US D731,640 S**
(45) **Date of Patent:** **** Jun. 9, 2015**

(54) **RESERVOIR FOR A WATER FLOSSER**
(71) Applicant: **WATER PIK, INC.**, Fort Collins, CO
(US)

1,650,686 A 11/1927 Binks
1,669,889 A 5/1928 Andrews et al.
1,681,320 A 8/1928 Bergl et al.

(Continued)

(72) Inventors: **Hyunchul Kim**, Chicago, IL (US);
Taiwon Choi, Glenview, IL (US)

FOREIGN PATENT DOCUMENTS

(73) Assignee: **WATER PIK, INC.**, Fort Collins, CO
(US)

CA 851479 9/1970
CH 502817 A 2/1971

(Continued)

(**) Term: **14 Years**

OTHER PUBLICATIONS

(21) Appl. No.: **29/466,916**

US RE27,274 01/1972, Mattingly (withdrawn).
(Continued)

(22) Filed: **Sep. 12, 2013**

Related U.S. Application Data

(63) Continuation of application No. 13/831,401, filed on
Mar. 14, 2013, and a continuation of application No.
29/449,265, filed on Mar. 14, 2013, now Pat. No. Des.
714,929, and a continuation of application No.

(Continued)

(51) **LOC (10) Cl.** **24-02**

(52) **U.S. Cl.**
USPC **D24/111**

(58) **Field of Classification Search**
USPC D24/108, 110, 111, 121; D7/384, 413;
D23/356, 359, 360, 362; 433/80;
601/162, 163, 165
CPC ... A61C 17/02; A61C 17/0205; A61H 13/005
See application file for complete search history.

(56) **References Cited**

U.S. PATENT DOCUMENTS

555,588 A 3/1896 Spencer
1,278,225 A 9/1918 Schamberg
1,464,419 A 8/1923 Gill
1,498,267 A 6/1924 Hachman

Primary Examiner — Ian Simmons
Assistant Examiner — Richelle G Shelton
(74) *Attorney, Agent, or Firm* — Dorsey & Whitney LLP

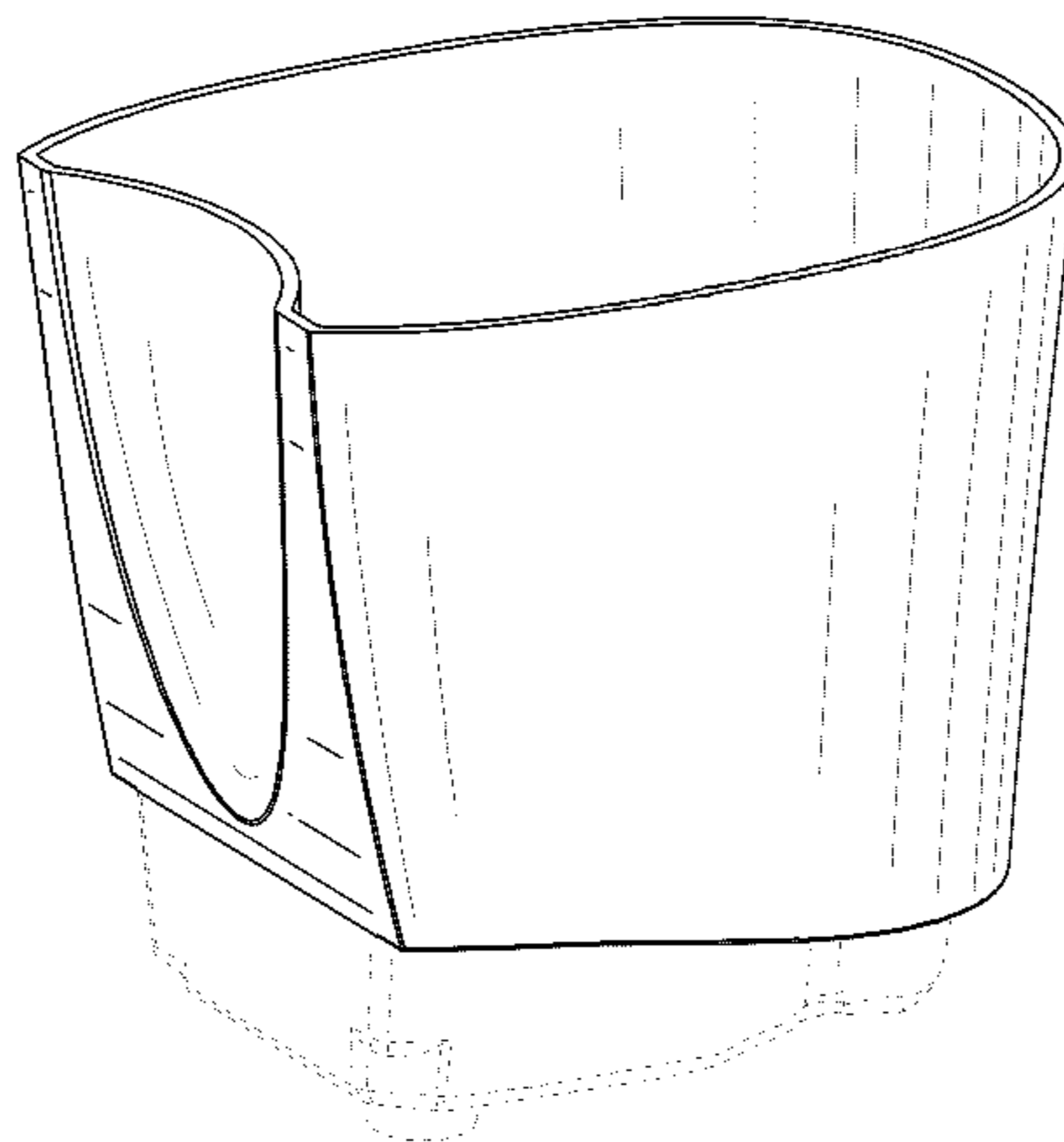
(57) **CLAIM**

We claim the ornamental design for a reservoir for water
flosser, substantially as shown and described.

DESCRIPTION

FIG. 1 is a front, right isometric view of a reservoir for water
flosser;
FIG. 2 is a front, left isometric view of the reservoir for water
flosser of FIG. 1;
FIG. 3 is a right-side elevation view of the reservoir for water
flosser of FIG. 1.
FIG. 4 is a left-side elevation view of the reservoir for water
flosser of FIG. 1.
FIG. 5 is a front elevation view of the reservoir for water
flosser of FIG. 1.
FIG. 6 is a rear elevation view of the reservoir for water flosser
of FIG. 1.
FIG. 7 is a top plan view of the reservoir for water flosser of
FIG. 1; and,
FIG. 8 is a bottom plan view of the reservoir for water flosser
of FIG. 1.

1 Claim, 5 Drawing Sheets



Related U.S. Application Data

29/449,273, filed on Mar. 14, 2013, now Pat. No. Des. 725,770, and a continuation of application No. 29/466,137, filed on Sep. 4, 2013, and a continuation of application No. 29/466,132, filed on Sep. 4, 2013, now Pat. No. Des. 714,930, and a continuation of application No. 29/466,129, filed on Sep. 4, 2013, now Pat. No. Des. 718,855.

(56)

References Cited

U.S. PATENT DOCUMENTS

1,933,454 A	10/1933	Sidney	3,881,868 A	5/1975	Duke
2,107,686 A	2/1938	Bramsen et al.	3,898,739 A	8/1975	Gayso
2,230,238 A	2/1941	Duberstein et al.	3,912,125 A	10/1975	Acklin
2,417,759 A	3/1947	Johnson	3,943,628 A	3/1976	Kronman et al.
2,669,233 A	2/1954	Friend	3,973,558 A	8/1976	Stouffer et al.
2,794,437 A	6/1954	Tash	4,001,526 A	1/1977	Olson
2,783,919 A	3/1957	Ansell	4,004,302 A	1/1977	Hori
2,984,452 A	5/1961	Hooper	4,007,739 A	2/1977	Bron et al.
3,089,490 A	5/1963	Goldberg	4,052,002 A	10/1977	Stouffer et al.
3,096,913 A	7/1963	Jousson	D246,667 S	12/1977	Mackay et al.
3,144,867 A	8/1964	Trupp et al.	4,060,870 A	12/1977	Cannarella
3,209,956 A	10/1965	McKenzie	4,075,761 A	2/1978	Behne et al.
3,216,619 A	11/1965	Richards et al.	4,078,558 A	3/1978	Woog et al.
3,225,759 A	12/1965	Drapen et al.	4,108,167 A	8/1978	Hickman et al.
3,227,158 A	1/1966	Mattingly	4,108,178 A	8/1978	Betush
3,266,623 A	8/1966	Poferl	4,109,650 A	8/1978	Peclard
3,297,558 A	1/1967	Hillquist	4,122,845 A	10/1978	Stouffer et al.
D208,778 S	10/1967	Koch	4,135,501 A	1/1979	Leunissan
D209,204 S	11/1967	St. Clair et al.	4,141,352 A	2/1979	Ebner et al.
D209,395 S	11/1967	Gilbert	4,144,646 A	3/1979	Takemoto et al.
3,370,214 A	2/1968	Aymar	4,149,315 A	4/1979	Page, Jr. et al.
3,391,696 A	7/1968	Woodward	4,154,375 A	5/1979	Bippus
3,400,999 A	9/1968	Goldstein	4,160,383 A	7/1979	Rauschenberger
3,418,552 A	12/1968	Holmes	4,182,038 A	1/1980	Fleer
3,420,228 A	1/1969	Kalbfeld	4,201,200 A	5/1980	Hubner
3,425,410 A	2/1969	Cammack	4,215,476 A	8/1980	Armstrong
3,453,969 A	7/1969	Mattingly	4,219,618 A	8/1980	Leonard
3,465,751 A	9/1969	Powers	4,227,878 A	10/1980	Lohn
3,487,828 A	1/1970	Troy	4,229,634 A	10/1980	Hickman et al.
3,489,268 A	1/1970	Meierhoefer	4,236,889 A	12/1980	Wright
3,496,933 A	2/1970	Lloyd	4,248,589 A	2/1981	Lewis
3,500,824 A	3/1970	Gilbert	4,249,899 A	2/1981	Davis
3,501,203 A	3/1970	Falk	4,257,458 A	3/1981	Kondo et al.
3,502,072 A	3/1970	Stillman	4,262,799 A	4/1981	Perrett
3,517,669 A	6/1970	Buono et al.	4,266,934 A	5/1981	Pernot
D218,270 S	8/1970	Soper	4,276,023 A	6/1981	Phillips et al.
3,522,801 A	8/1970	Robinson	4,276,880 A	7/1981	Malmin
3,532,221 A	10/1970	Kaluhiokalani et al.	4,302,186 A	11/1981	Cammack et al.
3,536,065 A	10/1970	Moret	4,303,064 A	12/1981	Buffa
3,537,444 A	11/1970	Garn	4,303,070 A	12/1981	Ichikawa et al.
3,538,950 A	11/1970	Porteners	4,315,741 A	2/1982	Reichl
3,547,110 A	12/1970	Balamuth	4,319,568 A	3/1982	Tregoning
3,561,433 A	2/1971	Kovach	4,331,422 A	5/1982	Heyman
3,572,375 A	3/1971	Rosenberg	4,337,040 A	6/1982	Cammack et al.
3,578,884 A	5/1971	Jacobson	4,340,365 A	7/1982	Pisanu
3,583,609 A	6/1971	Oppenheimer	4,340,368 A	7/1982	Lococo
3,590,813 A	7/1971	Roszyk	D266,117 S	9/1982	Oberheim
3,608,548 A	9/1971	Lewis	4,363,626 A	12/1982	Schmidt et al.
3,636,947 A	1/1972	Balamuth	4,365,376 A	12/1982	Oda et al.
3,651,576 A	3/1972	Massa	4,370,131 A	1/1983	Banko
3,669,101 A	6/1972	Kleiner	4,374,354 A	2/1983	Petrovic et al.
3,703,170 A	11/1972	Ryckman, Jr.	4,382,167 A	5/1983	Maruyama et al.
3,747,595 A	7/1973	Grossan	4,382,786 A	5/1983	Lohn
3,768,472 A	10/1973	Hodosh et al.	D270,000 S	8/1983	Ketler
3,783,364 A	1/1974	Gallanis et al.	4,412,823 A	11/1983	Sakai et al.
3,809,977 A	5/1974	Balamuth et al.	4,442,830 A	4/1984	Markau
3,811,432 A	5/1974	Moret	4,442,831 A	4/1984	Trenary
3,820,532 A	6/1974	Eberhardt et al.	4,452,238 A	6/1984	Kerr
3,827,147 A	8/1974	Condon	4,454,866 A	6/1984	Fayen
3,840,795 A	10/1974	Roszyk et al.	4,512,769 A	4/1985	Kozam et al.
3,847,145 A	11/1974	Grossan	4,517,962 A	5/1985	Heckele
3,854,209 A	12/1974	Franklin et al.	4,531,912 A	7/1985	Schuss et al.
3,874,506 A	4/1975	Hill et al.	4,531,913 A	7/1985	Taguchi
			4,534,340 A	8/1985	Kerr et al.
			4,552,130 A	11/1985	Kinoshita
			D283,374 S	4/1986	Cheuk-Yiu
			4,585,415 A	4/1986	Hommann
			4,591,777 A	5/1986	McCarty et al.
			4,592,728 A	6/1986	Davis
			4,602,906 A	7/1986	Grunenfelder
			4,607,627 A	8/1986	Leber et al.
			4,613,074 A	9/1986	Schulze
			4,619,612 A	10/1986	Weber et al.
			4,629,425 A	12/1986	Detsch
			4,636,198 A	1/1987	Stade
			4,642,037 A	2/1987	Fritchman
			4,644,937 A	2/1987	Hommann
			4,645,488 A	2/1987	Matukas
			4,647,831 A	3/1987	O'Malley et al.

(56)

References Cited

U.S. PATENT DOCUMENTS

4,648,838 A	3/1987	Schlachter	5,142,723 A	9/1992	Lustig et al.
4,650,475 A	3/1987	Smith et al.	5,150,841 A	9/1992	Silvenis et al.
4,655,198 A	4/1987	Hommann	5,172,810 A	12/1992	Brewer
4,669,453 A	6/1987	Atkinson et al.	5,173,273 A	12/1992	Brewer
4,672,953 A	6/1987	DiVito	5,183,035 A	2/1993	Weir
4,673,396 A	6/1987	Urbaniak	5,197,458 A	3/1993	Ito et al.
D291,354 S	8/1987	Camens	5,197,460 A	3/1993	Ito et al.
4,716,352 A	12/1987	Hurn et al.	5,199,871 A	4/1993	Young
4,749,340 A	6/1988	Ikeda et al.	5,203,697 A	4/1993	Malmin
4,770,632 A	9/1988	Ryder et al.	5,203,769 A	4/1993	Clement et al.
4,783,321 A	11/1988	Spence	5,204,004 A	4/1993	Johnston et al.
4,787,845 A	11/1988	Valentine	5,208,933 A	5/1993	Lustig et al.
4,787,847 A	11/1988	Martin et al.	5,215,193 A	6/1993	Dennis
4,798,292 A	1/1989	Hauze	5,218,956 A	6/1993	Handler et al.
4,803,974 A	2/1989	Powell	5,220,914 A	6/1993	Thompson
4,804,364 A	2/1989	Dieras et al.	5,228,646 A	7/1993	Raines
4,818,229 A	4/1989	Vasile	5,230,624 A	7/1993	Wolf et al.
4,820,152 A	4/1989	Warrin et al.	5,232,687 A	8/1993	Geimer
4,821,923 A	4/1989	Skorka	5,235,968 A	8/1993	Woog
4,824,368 A	4/1989	Hickman	5,241,714 A	9/1993	Barry
4,826,431 A	5/1989	Fujimura et al.	5,246,367 A	9/1993	Ito et al.
4,832,683 A	5/1989	Idemoto et al.	5,252,064 A	10/1993	Baum et al.
4,854,869 A	8/1989	Lawhorn	D341,200 S	11/1993	Yoshimoto
4,861,340 A	8/1989	Smith et al.	5,257,933 A	11/1993	Jousson
4,862,876 A	9/1989	Lih-Sheng	5,261,448 A	11/1993	Furuya et al.
4,869,720 A	9/1989	Chernack	D341,943 S	12/1993	Si-Hoe
4,880,382 A	11/1989	Moret et al.	5,267,586 A	12/1993	Jankavaara
4,886,452 A	12/1989	Lohn	5,269,684 A	12/1993	Fischer
4,900,252 A	2/1990	Liefke et al.	5,281,137 A	1/1994	Jousson
4,902,225 A	2/1990	Lohn	5,281,139 A	1/1994	Frank et al.
4,903,687 A	2/1990	Lih-Sheng	5,282,745 A	2/1994	Wiltrout et al.
4,906,187 A	3/1990	Amadera	5,286,192 A	2/1994	Dixon
4,907,744 A	3/1990	Jousson	5,286,201 A	2/1994	Yu
4,925,450 A	5/1990	Imonti et al.	5,297,962 A	3/1994	O'Connor et al.
4,928,675 A	5/1990	Thornton	D346,212 S	4/1994	Hosl
4,930,660 A	6/1990	Porteous	5,302,123 A	4/1994	Bechard
4,941,459 A	7/1990	Mathur	5,317,691 A	5/1994	Traeger
4,950,159 A	8/1990	Hansen	5,321,865 A	6/1994	Kaeser
4,958,629 A	9/1990	Peace et al.	5,331,704 A	7/1994	Rosen et al.
4,958,751 A	9/1990	Curtis et al.	5,344,317 A	9/1994	Pacher et al.
4,959,199 A	9/1990	Brewer	5,346,677 A	9/1994	Risk
4,961,698 A	10/1990	Vlock	D351,892 S	10/1994	Wolf et al.
4,966,551 A	10/1990	Betush	5,360,338 A	11/1994	Waggoner
4,969,874 A	11/1990	Michel et al.	5,368,548 A	11/1994	Jousson
4,973,247 A	11/1990	Varnes et al.	5,370,534 A	12/1994	Wolf et al.
4,973,250 A	11/1990	Milman	D354,168 S	1/1995	Hartwein
4,975,054 A	12/1990	Esrock	5,378,149 A	1/1995	Stropko
4,979,503 A	12/1990	Chernack	5,380,201 A	1/1995	Kawata
4,979,504 A	12/1990	Mills	D356,864 S	3/1995	Woog
4,989,590 A	2/1991	Baum et al.	5,399,089 A	3/1995	Eichman et al.
4,998,880 A	3/1991	Nerli	D358,883 S	5/1995	Vos
5,013,241 A	5/1991	Von Gutfeld et al.	5,456,672 A	10/1995	Diederich et al.
5,014,884 A	5/1991	Wunsch	5,465,445 A	11/1995	Yeh
5,019,054 A	5/1991	Clement et al.	5,468,148 A	11/1995	Ricks
5,027,798 A	7/1991	Primiano	5,470,305 A	11/1995	Arnett et al.
5,029,576 A	7/1991	Evans, Sr.	5,474,450 A	12/1995	Chronister
5,033,617 A	7/1991	Hartwein et al.	5,474,451 A	12/1995	Dalrymple et al.
5,033,961 A	7/1991	Kankler et al.	5,476,379 A	12/1995	Disel
D318,918 S	8/1991	Hartwein	5,484,281 A	1/1996	Renow et al.
5,046,486 A	9/1991	Grulke et al.	5,487,877 A	1/1996	Choi
5,049,071 A	9/1991	Davis et al.	5,490,779 A	2/1996	Malmin
5,060,825 A	10/1991	Palmer et al.	5,505,916 A	4/1996	Berry, Jr.
5,062,795 A	11/1991	Woog	D369,656 S	5/1996	Vos
5,064,168 A	11/1991	Raines et al.	5,525,058 A	6/1996	Gallant et al.
D322,314 S	12/1991	Ohbayashi	5,526,841 A	6/1996	Detsch et al.
5,082,115 A	1/1992	Hutcheson	5,540,587 A	7/1996	Malmin
5,082,443 A	1/1992	Lohn	5,547,374 A	8/1996	Coleman
5,085,317 A	2/1992	Jensen et al.	D373,631 S	9/1996	Maeda et al.
5,086,756 A	2/1992	Powell	5,554,025 A	9/1996	Kinsel
5,095,893 A	3/1992	Rawden, Jr.	5,556,001 A	9/1996	Weissman et al.
5,098,291 A	3/1992	Curtis et al.	5,564,629 A	10/1996	Weissman et al.
5,098,676 A	3/1992	Brooks, Jr.	D377,091 S *	12/1996	Scott, Sr. D24/121
5,117,871 A	6/1992	Gardner et al.	5,616,028 A	4/1997	Hafele et al.
5,125,835 A	6/1992	Young	5,634,791 A	6/1997	Matsuura et al.
5,127,831 A	7/1992	Bab	5,636,987 A	6/1997	Serfaty
			5,640,735 A	6/1997	Manning
			5,653,591 A	8/1997	Loge
			5,659,995 A	8/1997	Hoffman
			5,667,483 A	9/1997	Santos

(56)

References Cited

U.S. PATENT DOCUMENTS

- | | | | | | | | |
|-----------|------|---------|-----------------------------|--------------|-----|---------|--------------------------------|
| D386,576 | S | 11/1997 | Wang et al. | 6,689,078 | B1 | 2/2004 | Rehkemper et al. |
| 5,683,192 | A | 11/1997 | Kilfoil | 6,699,208 | B2 | 3/2004 | Bachman et al. |
| 5,685,829 | A | 11/1997 | Allen | 6,719,561 | B2 | 4/2004 | Gugel et al. |
| 5,685,851 | A | 11/1997 | Murphy et al. | D489,183 | S | 5/2004 | Akahori et al. |
| 5,697,784 | A | 12/1997 | Hafele et al. | 6,739,782 | B1 | 5/2004 | Rehkemper et al. |
| 5,709,545 | A | 1/1998 | Johnston et al. | 6,740,053 | B2 | 5/2004 | Kaplowitz |
| 5,716,007 | A | 2/1998 | Nottingham et al. | D490,899 | S | 6/2004 | Gagnon |
| 5,718,668 | A | 2/1998 | Arnett et al. | D491,728 | S | 6/2004 | Jimenez |
| 5,746,595 | A | 5/1998 | Ford | D492,996 | S | 7/2004 | Rehkemper et al. |
| 5,749,726 | A | 5/1998 | Kinsel | 6,761,324 | B2 | 7/2004 | Chang |
| 5,759,502 | A | 6/1998 | Spencer et al. | 6,766,549 | B2 | 7/2004 | Klupt |
| 5,779,654 | A | 7/1998 | Foley et al. | D495,142 | S | 8/2004 | Berde |
| 5,795,153 | A | 8/1998 | Rechmann | D495,143 | S | 8/2004 | Berde |
| 5,796,325 | A | 8/1998 | Lundell et al. | 6,779,216 | B2 | 8/2004 | Davies et al. |
| 5,833,065 | A | 11/1998 | Burgess | 6,783,004 | B1 | 8/2004 | Rinner |
| 5,836,030 | A | 11/1998 | Hazeu et al. | 6,783,505 | B1 | 8/2004 | Lai |
| D402,744 | S | 12/1998 | Zuege | 6,796,796 | B2 | 9/2004 | Segal |
| 5,851,079 | A | 12/1998 | Horstman et al. | D498,643 | S | 11/2004 | Pryor |
| D403,511 | S | 1/1999 | Serbinski | 6,814,259 | B1 | 11/2004 | Foster et al. |
| D406,334 | S | 3/1999 | Rosenthal et al. | D499,885 | S | 12/2004 | Xi |
| 5,876,201 | A | 3/1999 | Wilson et al. | 6,835,181 | B2 | 12/2004 | Hippensteel |
| D408,511 | S | 4/1999 | Allen et al. | D500,599 | S | 1/2005 | Callaghan |
| 5,901,397 | A | 5/1999 | Häfele et al. | 6,837,708 | B2 | 1/2005 | Chen et al. |
| 5,934,902 | A | 8/1999 | Abahusayn | 6,884,069 | B2 | 4/2005 | Goldman |
| D413,975 | S | 9/1999 | Maeda | 6,902,337 | B1 | 6/2005 | Kuo |
| D417,082 | S | 11/1999 | Classen et al. | 6,907,879 | B2 | 6/2005 | Drinan et al. |
| 5,993,402 | A | 11/1999 | Sauer et al. | D509,585 | S | 9/2005 | Kling et al. |
| 6,030,215 | A | 2/2000 | Ellion et al. | D513,638 | S | 1/2006 | Pan |
| 6,038,960 | A | 3/2000 | Fukushima et al. | D522,652 | S | 6/2006 | Massey |
| 6,039,180 | A | 3/2000 | Grant | 7,080,980 | B2 | 7/2006 | Klupt |
| D425,615 | S | 5/2000 | Bachman et al. | D529,661 | S | 10/2006 | Schmidt |
| D425,981 | S | 5/2000 | Bachman et al. | D530,010 | S | 10/2006 | Luetngen et al. |
| 6,056,710 | A | 5/2000 | Bachman et al. | 7,117,555 | B2 | 10/2006 | Fattori et al. |
| D426,633 | S | 6/2000 | Bachman et al. | D533,720 | S | 12/2006 | Vu |
| 6,089,865 | A | 7/2000 | Edgar | 7,147,468 | B2 | 12/2006 | Snyder et al. |
| 6,116,866 | A | 9/2000 | Tomita et al. | D538,474 | S | 3/2007 | Sheppard et al. |
| 6,124,699 | A | 9/2000 | Suzuki et al. | D548,334 | S | 8/2007 | Izumi |
| D434,500 | S | 11/2000 | Pollock et al. | D550,097 | S | 9/2007 | Lepoitevin |
| 6,159,006 | A | 12/2000 | Cook et al. | 7,276,035 | B2 | 10/2007 | Lu |
| 6,164,967 | A | 12/2000 | Sale et al. | 7,314,456 | B2 | 1/2008 | Shaw |
| D435,905 | S | 1/2001 | Bachman et al. | D565,175 | S * | 3/2008 | Boyd et al. D24/111 |
| 6,193,512 | B1 | 2/2001 | Wallace | 7,344,510 | B1 | 3/2008 | Yande |
| 6,193,932 | B1 | 2/2001 | Wu et al. | D565,713 | S | 4/2008 | Gao |
| 6,199,239 | B1 | 3/2001 | Dickerson | 7,367,803 | B2 | 5/2008 | Egeresi |
| D439,781 | S | 4/2001 | Spore | D574,952 | S | 8/2008 | Boyd et al. |
| 6,217,835 | B1 | 4/2001 | Riley et al. | D577,198 | S | 9/2008 | Jimenez |
| D441,861 | S | 5/2001 | Haffiger | D577,814 | S | 9/2008 | Seki et al. |
| 6,233,773 | B1 | 5/2001 | Karge et al. | D581,279 | S | 11/2008 | Oates |
| 6,234,205 | B1 | 5/2001 | D'Amelio et al. | 7,455,521 | B2 | 11/2008 | Fishburne, Jr. |
| 6,237,178 | B1 | 5/2001 | Krammer et al. | 7,469,440 | B2 | 12/2008 | Boland et al. |
| 6,247,929 | B1 | 6/2001 | Bachman et al. | 7,500,584 | B2 | 3/2009 | Schutz |
| D448,236 | S | 9/2001 | Murray | D590,492 | S | 4/2009 | Powell |
| 6,293,792 | B1 | 9/2001 | Hanson | D595,136 | S | 6/2009 | Canamasas Puigbo |
| D449,884 | S * | 10/2001 | Tobin et al. D24/111 | D601,697 | S | 10/2009 | Sobiech et al. |
| D453,453 | S | 2/2002 | Lun | D603,708 | S | 11/2009 | Handy |
| 6,363,565 | B1 | 4/2002 | Paffrath | 7,670,141 | B2 | 3/2010 | Thomas et al. |
| 6,468,482 | B1 | 10/2002 | Frieze et al. | 7,677,888 | B1 | 3/2010 | Halm |
| 6,475,173 | B1 * | 11/2002 | Bachman et al. 601/162 | D613,550 | S | 4/2010 | Picozza et al. |
| 6,485,451 | B1 | 11/2002 | Roberts et al. | D621,949 | S | 8/2010 | Seki et al. |
| 6,497,375 | B1 | 12/2002 | Srinath et al. | 7,814,585 | B1 | 10/2010 | Reich |
| 6,497,572 | B2 | 12/2002 | Hood et al. | D629,884 | S | 12/2010 | Stephens |
| 6,502,584 | B1 | 1/2003 | Fordham | 7,862,536 | B2 | 1/2011 | Chen et al. |
| D470,660 | S | 2/2003 | Schaber | 7,878,403 | B2 | 2/2011 | Hennick et al. |
| 6,558,344 | B2 | 5/2003 | McKinnon et al. | 7,959,597 | B2 | 6/2011 | Baker et al. |
| 6,561,808 | B2 | 5/2003 | Neuberger et al. | D640,872 | S | 7/2011 | Nanda |
| D475,346 | S | 6/2003 | McCurrach et al. | D648,539 | S | 11/2011 | Wai |
| 6,589,477 | B1 | 7/2003 | Frieze et al. | 8,113,832 | B2 | 2/2012 | Snyder et al. |
| 6,602,071 | B1 | 8/2003 | Ellion et al. | 8,220,726 | B2 | 7/2012 | Qiu et al. |
| 6,632,091 | B1 | 10/2003 | Cise et al. | D666,912 | S | 9/2012 | Kawai |
| D482,451 | S | 11/2003 | Page et al. | 8,256,979 | B2 | 9/2012 | Hilscher et al. |
| 6,640,999 | B2 | 11/2003 | Peterson | D669,169 | S * | 10/2012 | Washington et al. D24/121 |
| 6,647,577 | B2 | 11/2003 | Tam | 8,297,534 | B2 | 10/2012 | Li et al. |
| 6,659,674 | B2 | 12/2003 | Carlucci et al. | D670,373 | S | 11/2012 | Taylor et al. |
| 6,669,059 | B2 | 12/2003 | Mehta | D670,958 | S | 11/2012 | Picozza et al. |
| D486,573 | S | 2/2004 | Callaghan et al. | 8,366,024 | B2 | 2/2013 | Leber |
| | | | | 8,403,665 | B2 | 3/2013 | Thomas et al. |
| | | | | 8,408,483 | B2 | 4/2013 | Boyd et al. |
| | | | | 2002/0090252 | A1 | 7/2002 | Hall et al. |
| | | | | 2002/0119415 | A1 | 8/2002 | Bailey |

(56)

References Cited

U.S. PATENT DOCUMENTS

2003/0098249 A1 5/2003 Rollock
 2003/0204155 A1 10/2003 Egeresi
 2003/0213075 A1 11/2003 Hui et al.
 2004/0045107 A1 3/2004 Egeresi
 2004/0076921 A1 4/2004 Gofman et al.
 2004/0122377 A1 6/2004 Fischer et al.
 2004/0209222 A1 10/2004 Snyder et al.
 2005/0049620 A1 3/2005 Chang
 2005/0101894 A1 5/2005 Hippensteel
 2005/0271531 A1 12/2005 Brown et al.
 2006/0008373 A1 1/2006 Schutz
 2006/0021165 A1 2/2006 Boland et al.
 2006/0026784 A1 2/2006 Moskovich et al.
 2006/0057539 A1 3/2006 Sodo
 2006/0078844 A1 4/2006 Goldman et al.
 2006/0079818 A1 4/2006 Yande
 2007/0082316 A1 4/2007 Zhadanov et al.
 2007/0113360 A1 5/2007 Tsai
 2007/0202459 A1 8/2007 Boyd et al.
 2007/0203439 A1 8/2007 Boyd et al.
 2007/0254260 A1 11/2007 Alden
 2008/0008979 A1 1/2008 Thomas et al.
 2009/0070949 A1 3/2009 Sagel et al.
 2009/0082706 A1 3/2009 Shaw
 2009/0124945 A1 5/2009 Reich et al.
 2009/0163839 A1 6/2009 Alexander
 2009/0281454 A1 11/2009 Baker et al.
 2010/0015566 A1 1/2010 Shaw
 2010/0190132 A1 7/2010 Taylor et al.
 2010/0239998 A1 9/2010 Snyder et al.
 2010/0261134 A1 10/2010 Boyd et al.
 2010/0261137 A1 10/2010 Boyd et al.
 2010/0326536 A1 12/2010 Nan
 2010/0330527 A1 12/2010 Boyd et al.
 2011/0027749 A1 2/2011 Syed
 2011/0076090 A1 3/2011 Wu et al.
 2011/0097683 A1 4/2011 Boyd et al.
 2011/0139826 A1 6/2011 Hair et al.
 2011/0144588 A1 6/2011 Taylor et al.
 2011/0184341 A1 7/2011 Baker et al.
 2012/0021374 A1 1/2012 Cacka et al.
 2012/0045730 A1 2/2012 Snyder et al.
 2012/0064480 A1 3/2012 Hegemann
 2012/0077145 A1 3/2012 Tsurukawa
 2012/0141952 A1 6/2012 Snyder et al.
 2012/0266396 A1 10/2012 Leung
 2012/0277677 A1 11/2012 Taylor et al.
 2012/0277678 A1 11/2012 Taylor et al.
 2012/0295220 A1 11/2012 Thomas et al.
 2014/0193774 A1 7/2014 Snyder et al.

FOREIGN PATENT DOCUMENTS

CH 655237 4/1987
 DE 1466963 5/1969
 DE 2409752 9/1975
 DE 2545936 4/1977

DE 2910982 2/1980
 EP 0023672 7/1980
 EP 0515983 A1 12/1992
 FR 2556954 6/1985
 FR 2654627 5/1991
 GB 1182031 2/1970
 GB 2018605 10/1979
 JP 2-134150 4/1990
 JP 2009-39455 2/2009
 WO WO95/016404 6/1995
 WO 01/10327 A1 2/2001
 WO WO2004/021958 3/2004
 WO WO2004/039205 5/2004
 WO 2004060259 A2 7/2004
 WO 2008157585 A1 12/2008
 WO 2013124691 A1 8/2013

OTHER PUBLICATIONS

The Right Tool, Electron Fusion Devices, Inc., 2 pages, at least as early as Feb. 1991.
 Japanese Packaging, 2 pages, at least as early as Dec. 2002.
 Japanese Instruction Brochure, 20 pages, at least as early as Dec. 2002.
 Brochure: Woog International, "You have a 98% chance of getting gum disease. Unless you read this.", Lancaster, Pennsylvania, 5 pages, Feb. 1987.
 Brochure: Woog International, "We put the control of home dental care back into the hands of the professional", Lancaster, Pennsylvania, 2 pages, Feb. 1987.
 Brochure: Woog International, "Products at a Glance: Home Dental Care System" Woog Orajet, 3 pages, at least as early as Dec. 18, 1998.
 Website: http://www.just4teeth.com/product/Panasonic/Panasonic_Portable_Irrigator.htm, 2 pages, at least as early as Jun. 20, 2003.
 Website: http://www.videodirectstore.com/store/merchant_mv?Screen=PROD&Product_Code=EW1', 2 pages, at least as early as Jun. 20, 2003.
 Website: <http://products.consumerguide.com/cp/family/review/index.cfm/Id/18742>, 2 pages, at least as early as Jun. 20, 2003.
 Website: <http://www.racekarteng.com/images/walbroparts.gif> and <http://www.muller.net/mullermachine/docs/walbro1.html>, 4 pages, at least as early as Jun. 20, 2003.
 European Search Report, EPO Application No. 07250799.9, Jul. 5, 2007.
 European Search Report, EPO Application No. 07252693.2, 14 pages, Apr. 28, 2008.
 European Examination Report, EPO Application No. 07250799.9, Feb. 5, 2009.
 International Search Report, Application No. PCT/US2010/028180, 2 pages, May 18, 2010.
 International Search Report, PCT/US2010/060800, 2 pages, Feb. 11, 2011.
 International Search Report, PCT/US2011/052795, 10 pages, Jan. 17, 2012.
 Waterpik SinuSense Website: <http://www.insightsbyapril.com/2012/03/waterpik-natural-remedy-for-sinus.html>, 8 pages, retrieved on May 31, 2012.

* cited by examiner

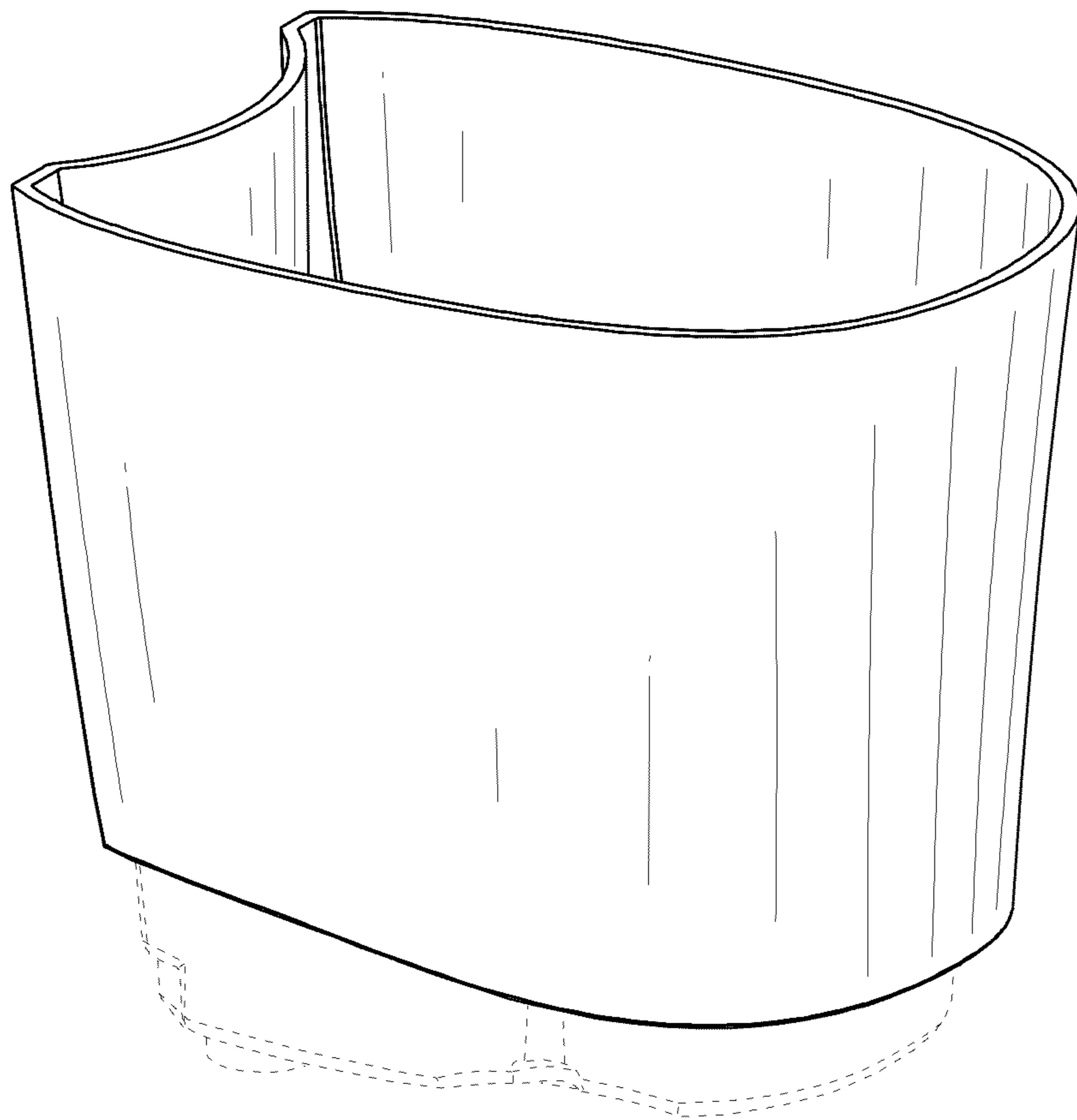


FIG. 1

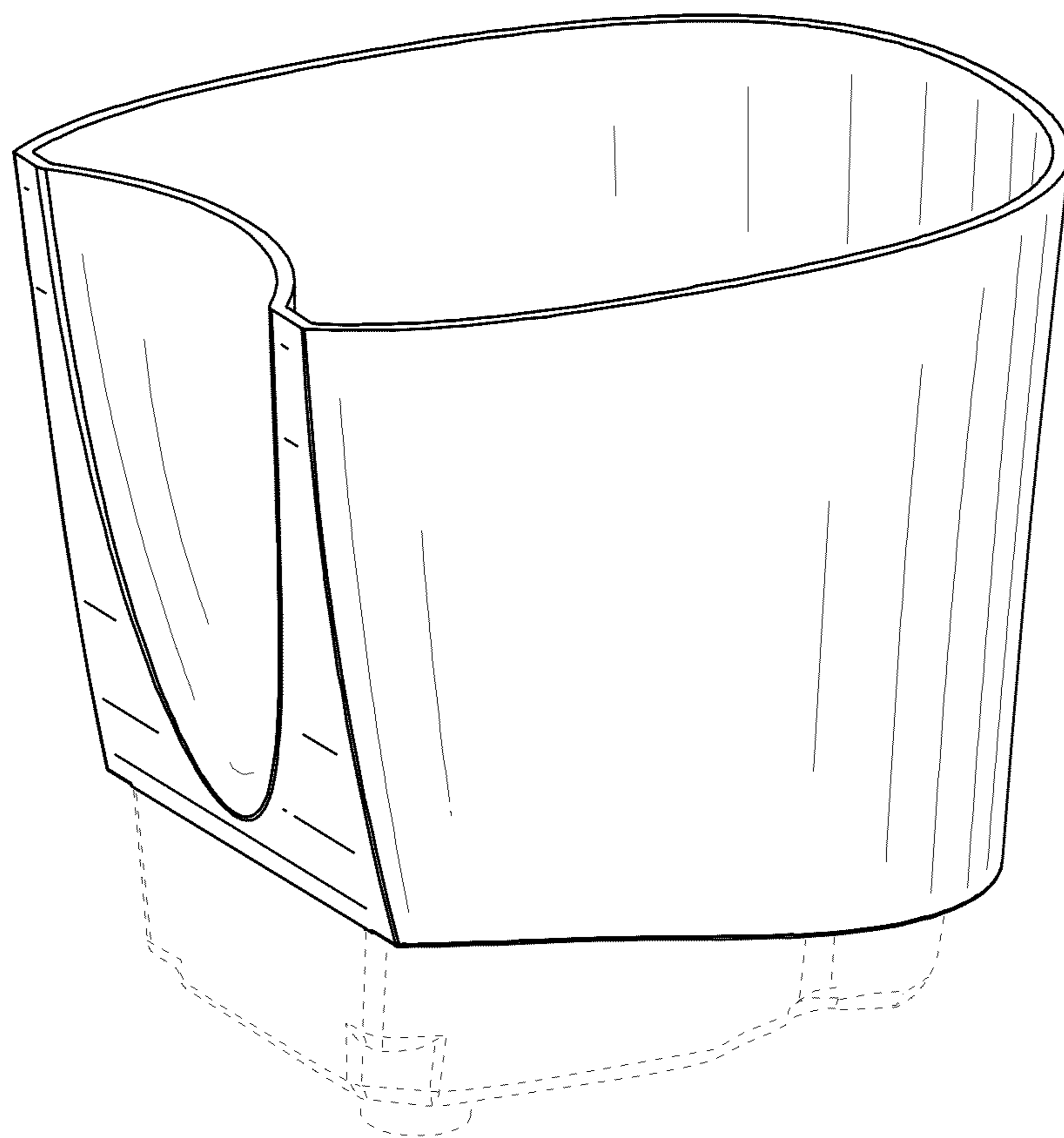


FIG. 2

FIG. 3

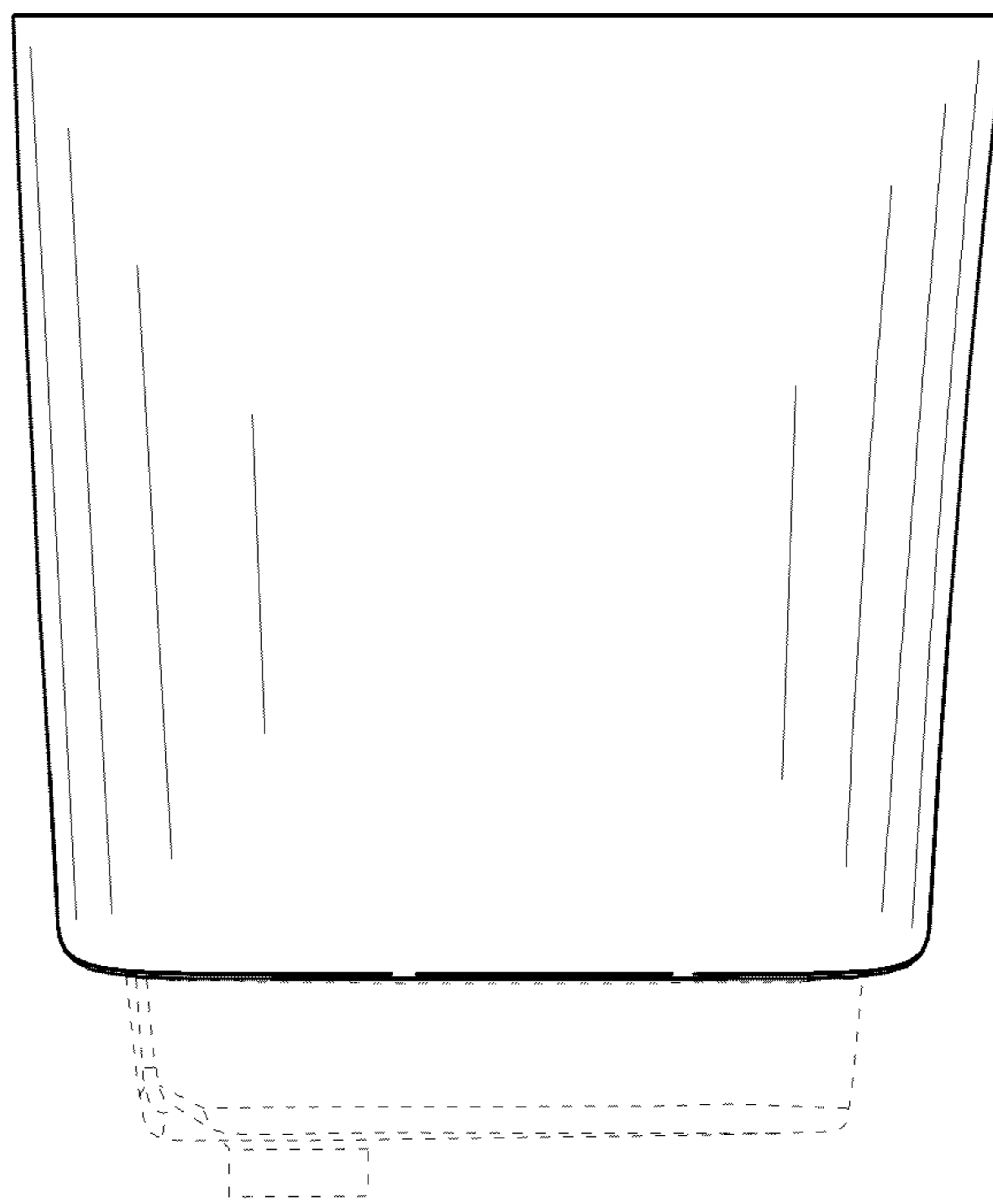


FIG. 4

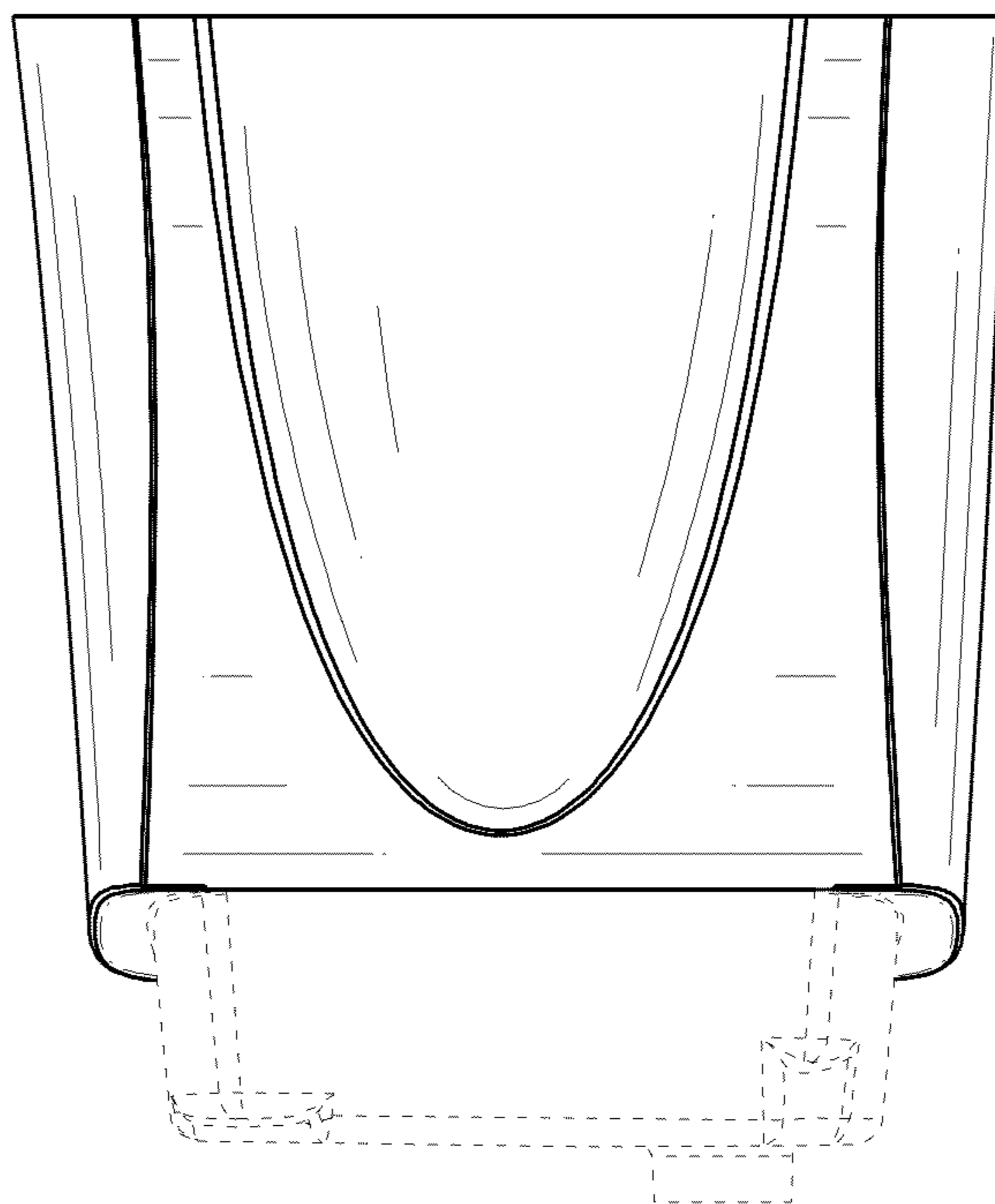


FIG. 5

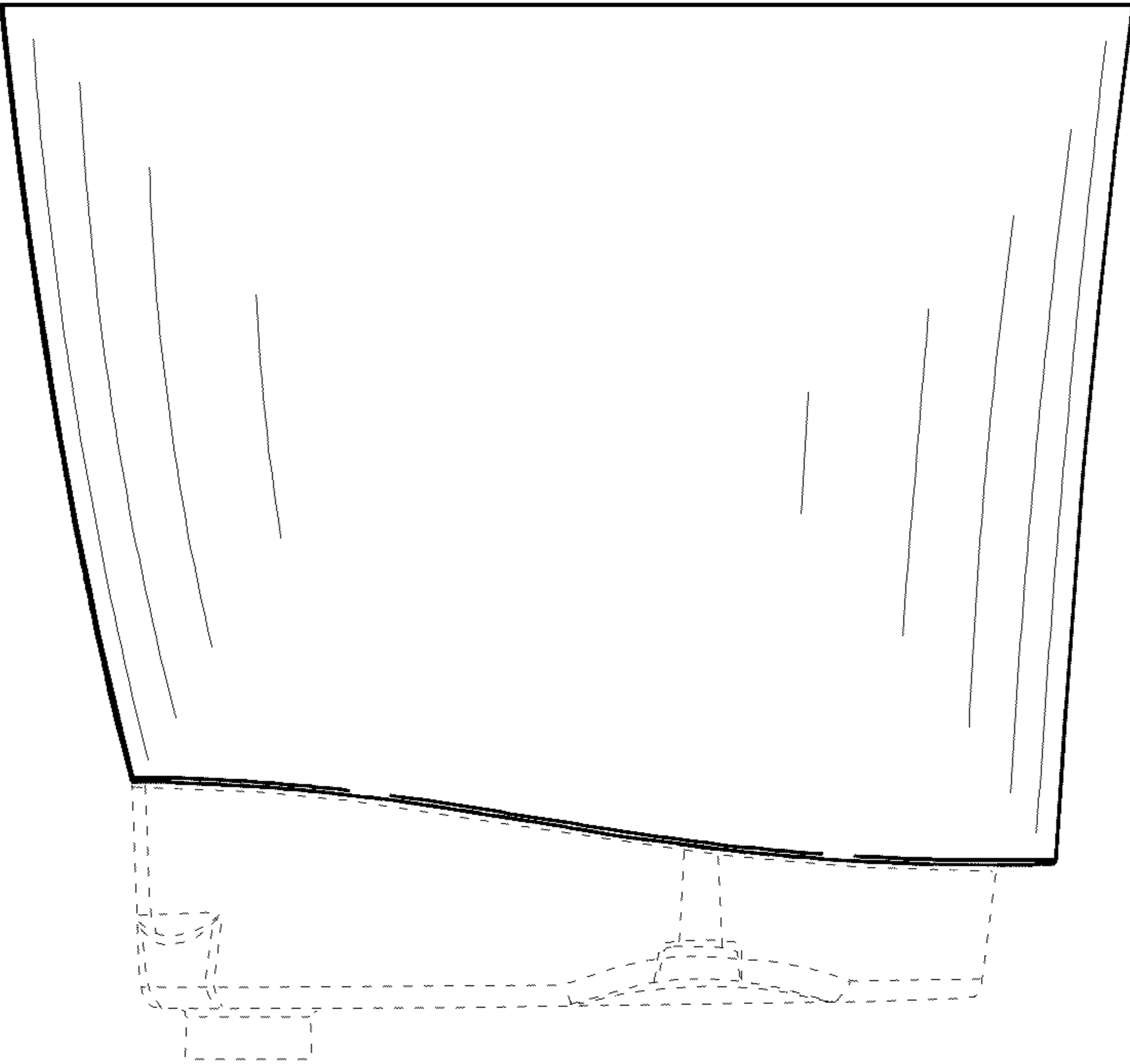


FIG. 6

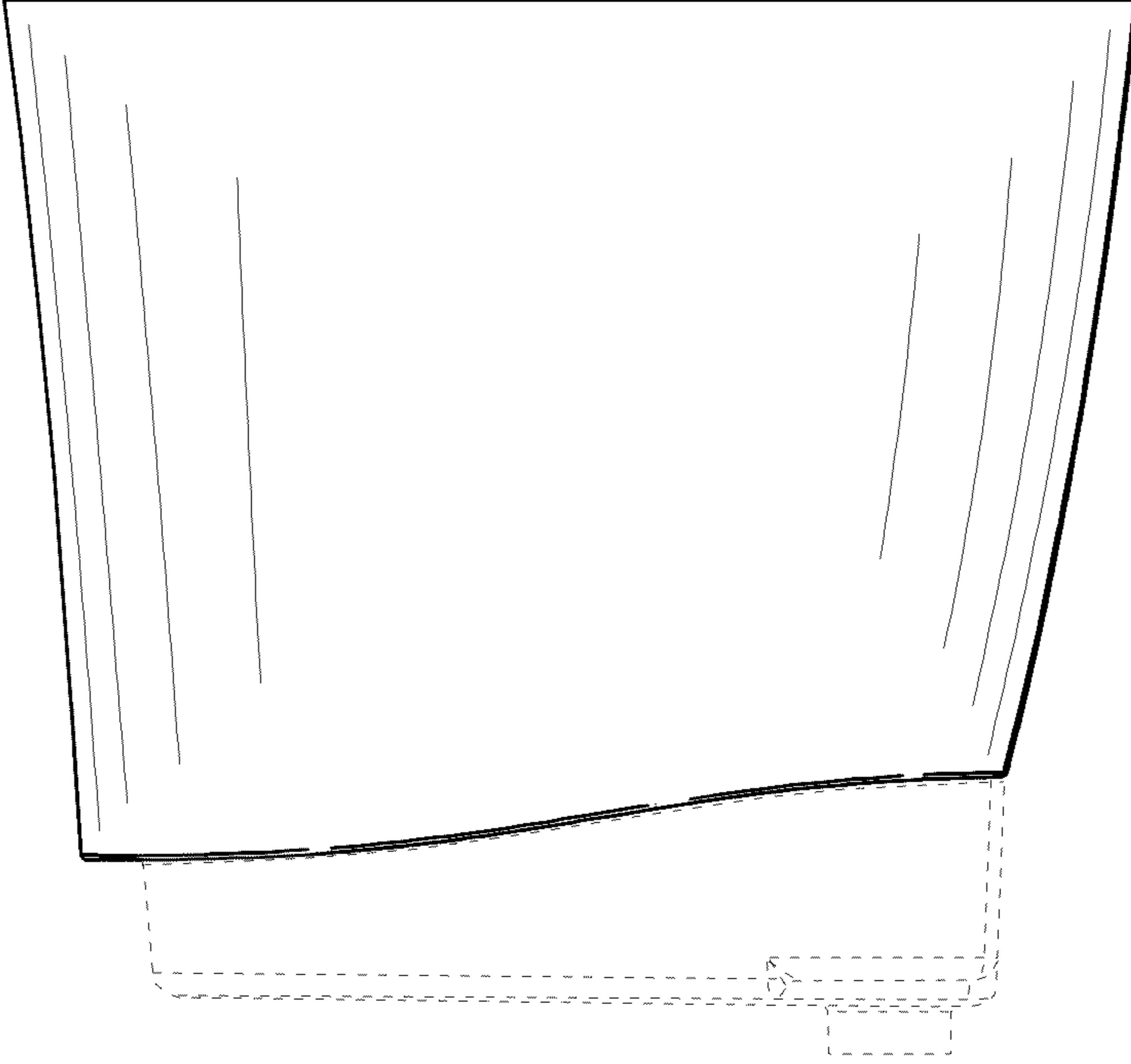


FIG. 7

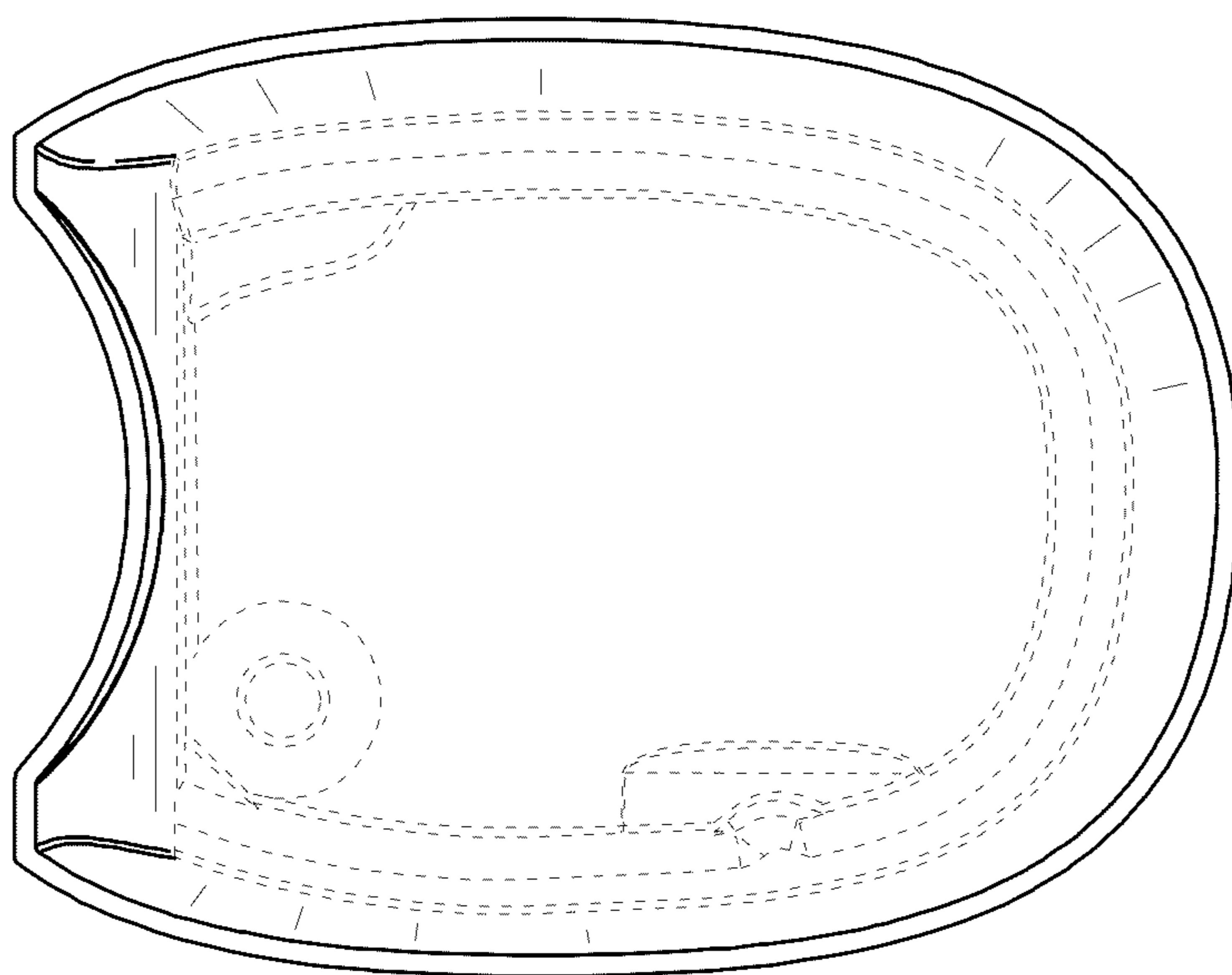


FIG. 8

