



US00D731639S

(12) **United States Design Patent**  
**Domanskis**

(10) **Patent No.:** **US D731,639 S**  
(45) **Date of Patent:** **\*\* Jun. 9, 2015**

(54) **TRACHEOSTOMY COVER PLATE**

(71) Applicant: **Edward J. Domanskis**, Laguna Beach, CA (US)

(72) Inventor: **Edward J. Domanskis**, Laguna Beach, CA (US)

(73) Assignee: **St. Joseph Health System**, Irvine, CA (US)

(\*\*) Term: **14 Years**

(21) Appl. No.: **29/442,978**

(22) Filed: **Sep. 11, 2013**

(51) **LOC (10) Cl.** ..... **29-02**

(52) **U.S. Cl.**  
USPC ..... **D24/110**

(58) **Field of Classification Search**  
USPC ..... D24/110, 110.1, 110.4, 110.5, 129, D24/164; 128/201.28, 205.24, 207.12, 128/207.14–207.16; D11/202, 204, 218, D11/231, 232, 238–240  
See application file for complete search history.

(56) **References Cited**

**U.S. PATENT DOCUMENTS**

4,802,474	A *	2/1989	BeEVERS	.....	128/200.26
D309,021	S *	7/1990	BeEVERS	.....	D24/127
5,060,645	A *	10/1991	Russell	.....	128/207.14
5,616,116	A *	4/1997	Born	.....	600/32
5,839,437	A *	11/1998	Briggs, III	.....	128/207.17
5,840,091	A *	11/1998	Strong	.....	55/385.1

6,802,316	B1 *	10/2004	Fulgham	.....	128/207.14
D602,158	S *	10/2009	Cuevas et al.	.....	D24/128
8,313,687	B2 *	11/2012	Sleva et al.	.....	264/535
D695,889	S *	12/2013	Bruggeman et al.	.....	D24/110.5
2007/0004542	A1 *	1/2007	Park	.....	473/604
2007/0181130	A1 *	8/2007	Worley	.....	128/207.14
2007/0181132	A1 *	8/2007	Worley	.....	128/207.14
2008/0041391	A1 *	2/2008	Worley	.....	128/207.14
2008/0242458	A1 *	10/2008	Winn	.....	473/599
2009/0320852	A1 *	12/2009	Cuevas et al.	.....	128/207.14
2010/0089403	A1 *	4/2010	Solly	.....	128/207.14
2010/0300448	A1 *	12/2010	Kenowski et al.	.....	128/207.14
2010/0300449	A1 *	12/2010	Chan et al.	.....	128/207.14

\* cited by examiner

*Primary Examiner* — Deanna L Pratt

*Assistant Examiner* — Lilyana Bekic

(74) *Attorney, Agent, or Firm* — Polsinelli PC

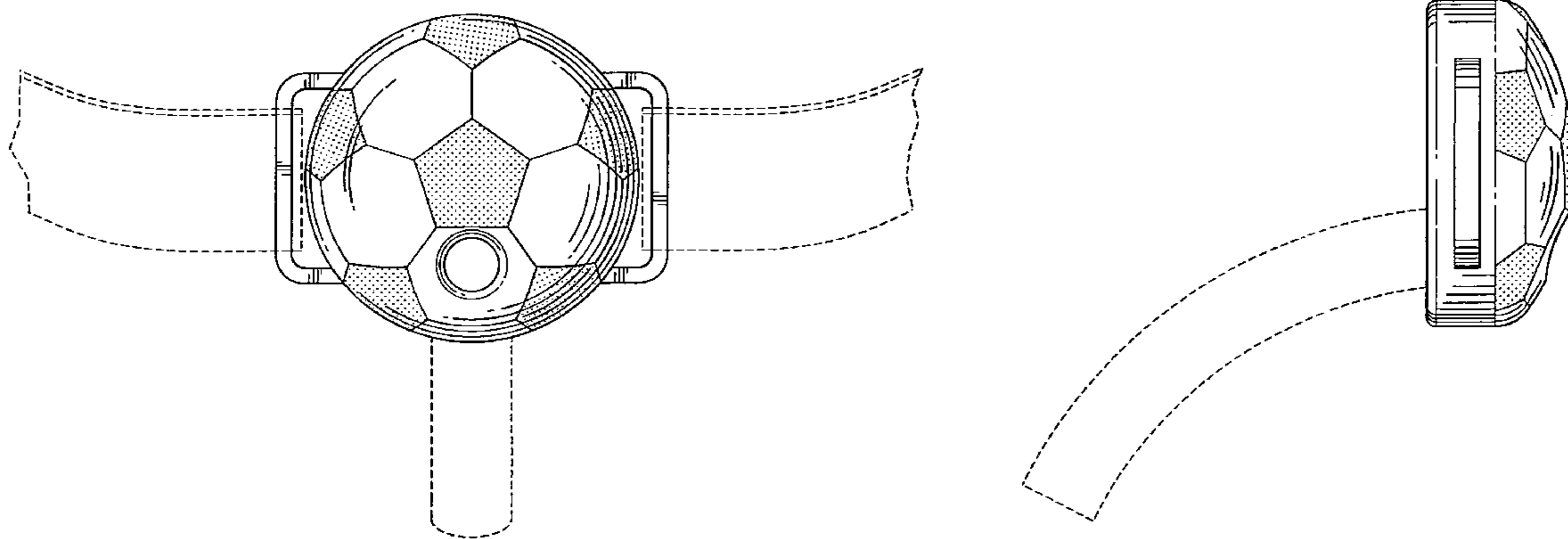
(57) **CLAIM**

I claim the ornamental design for a tracheostomy cover plate, as shown and described.

**DESCRIPTION**

FIG. 1 is a front elevational view of a tracheostomy cover plate showing my new design;  
FIG. 2 is a rear elevation view thereof;  
FIG. 3 is a left side elevational view thereof;  
FIG. 4 is a top plan view thereof;  
FIG. 5 is a bottom plan view thereof; and,  
FIG. 6 is a front, left perspective view thereof.  
The broken line showing of the straps and tube illustrates the environment of the claimed design and forms no part thereof.

**1 Claim, 2 Drawing Sheets**



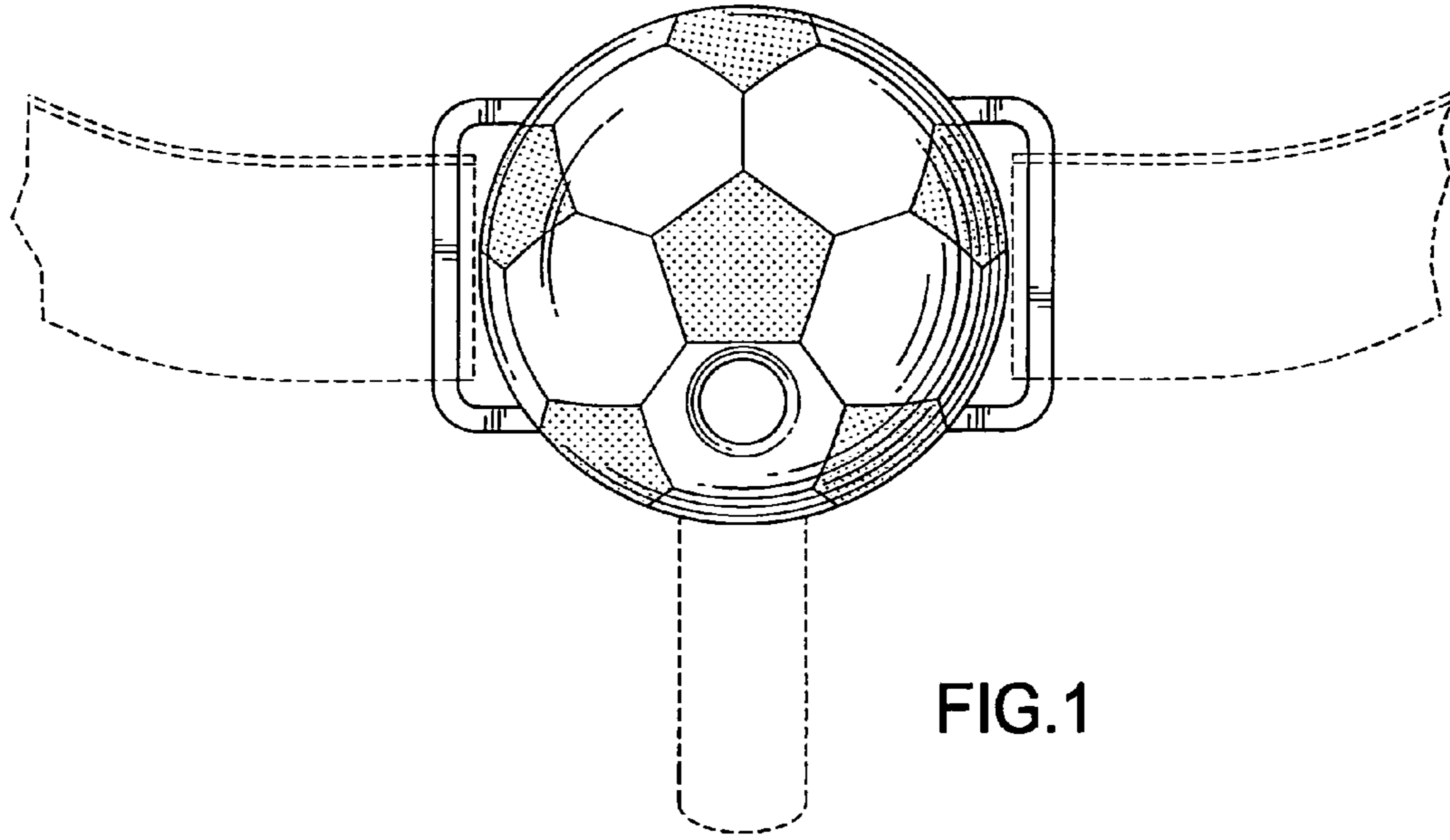


FIG. 1

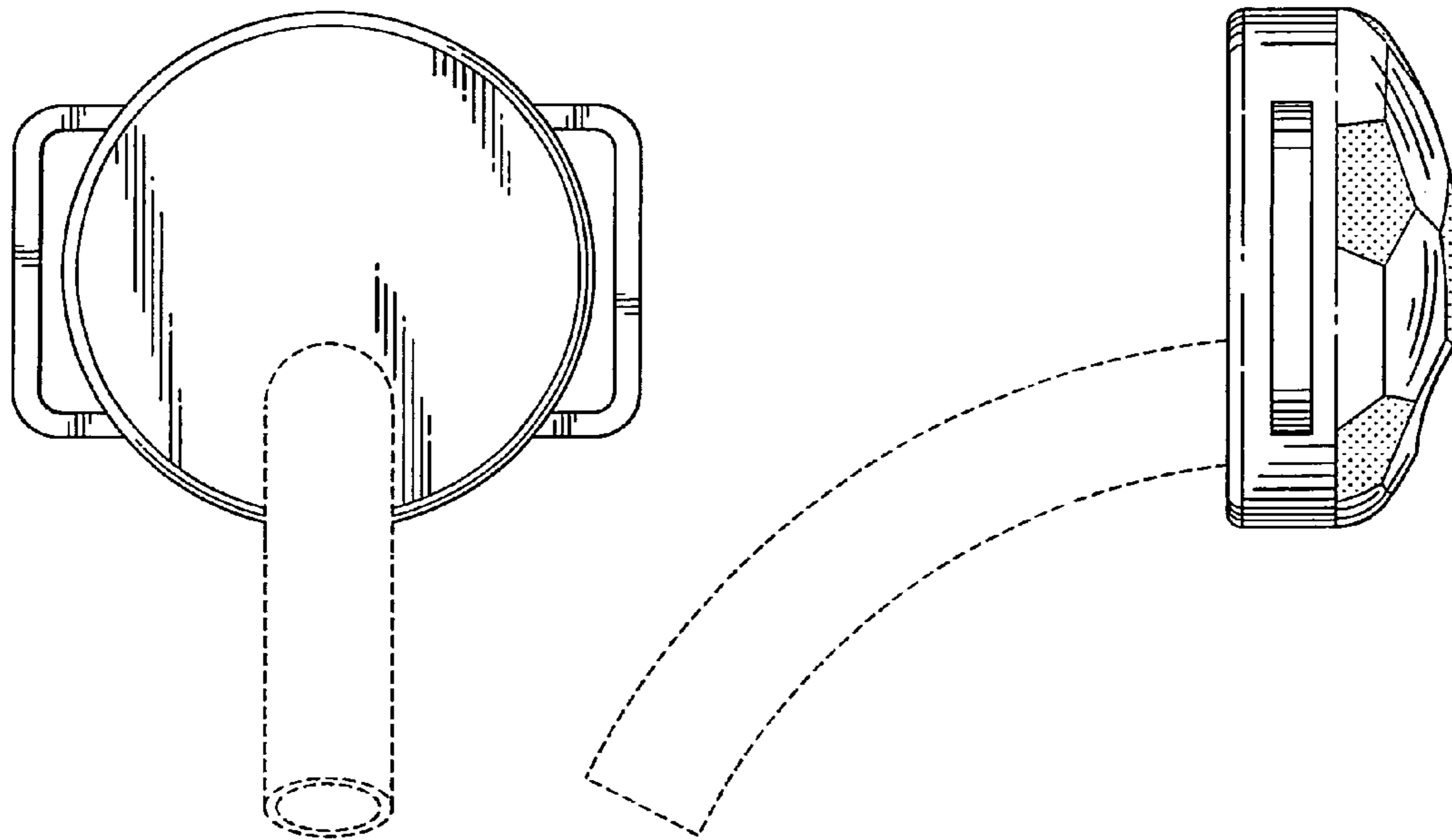


FIG. 2

FIG. 3

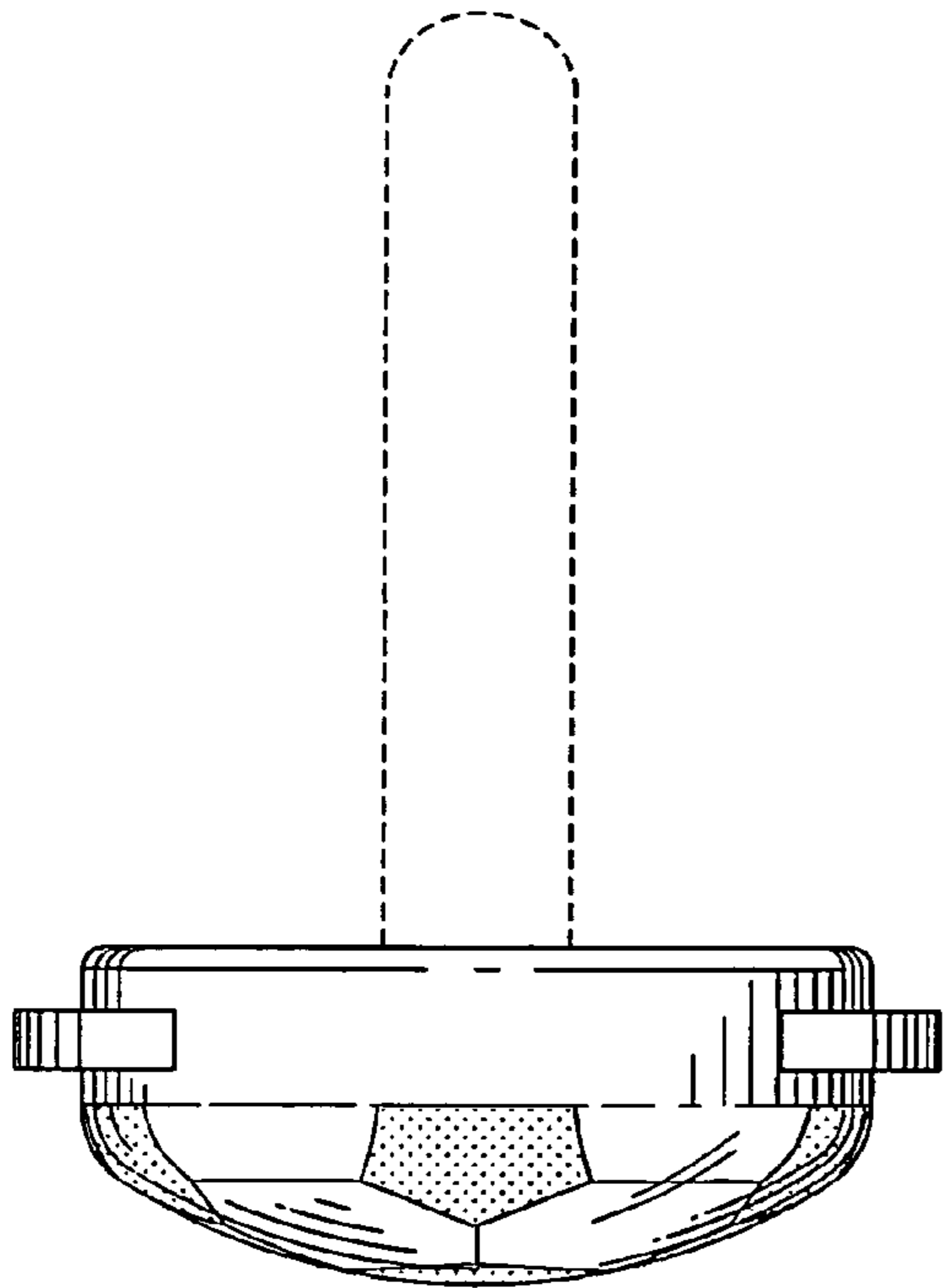


FIG. 4

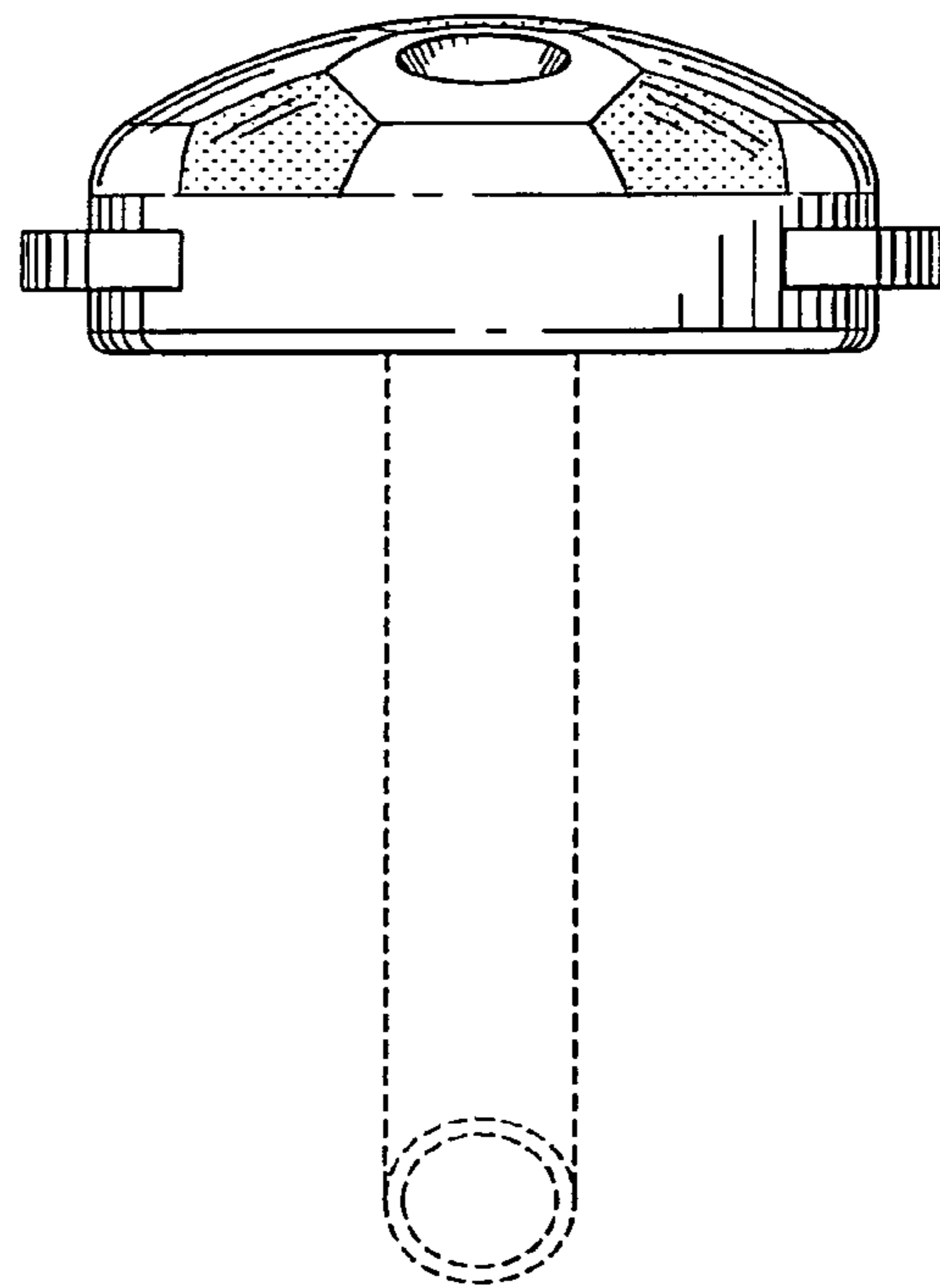


FIG. 5

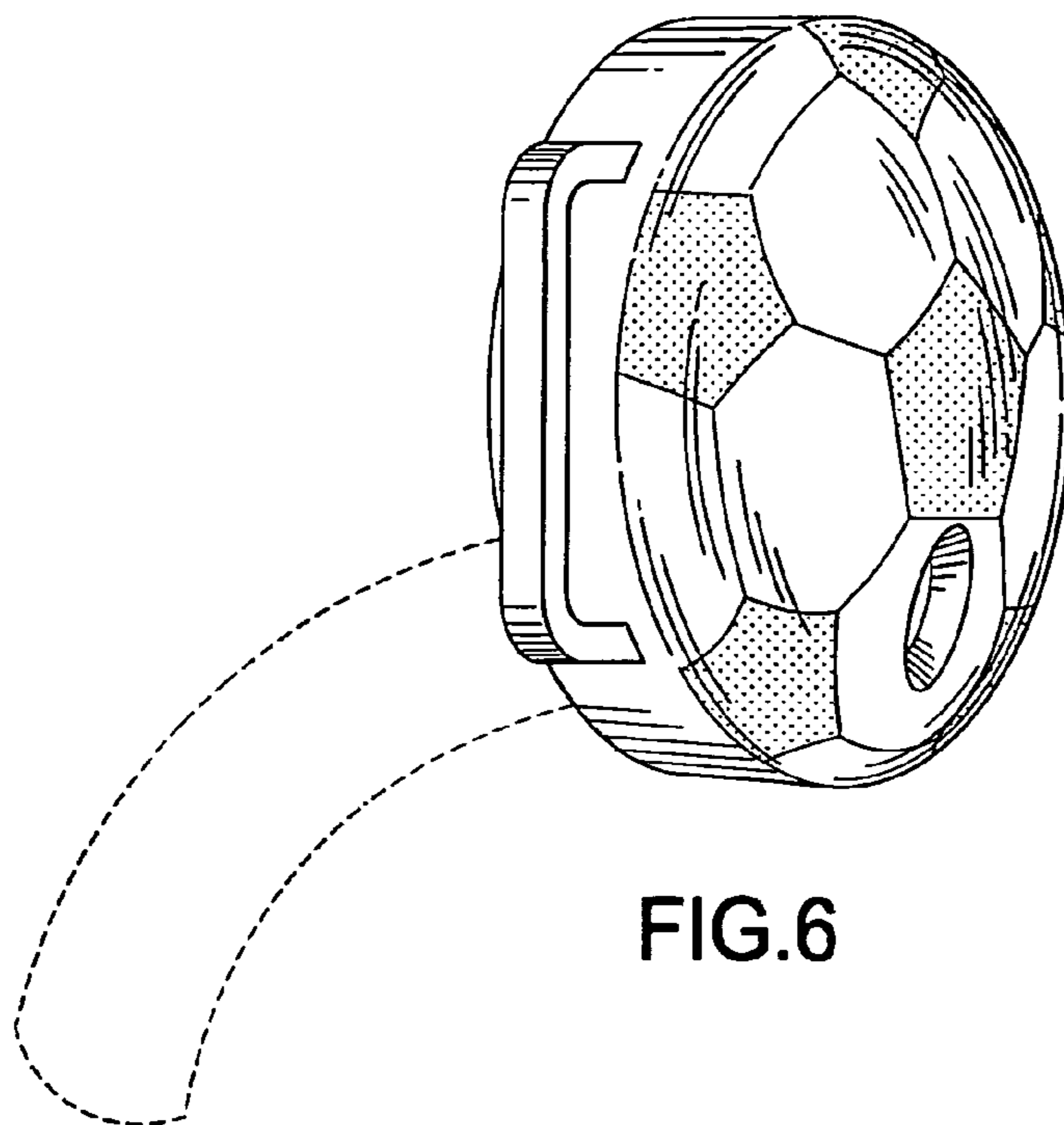


FIG. 6