



US00D731636S

(12) **United States Design Patent**
Hills

(10) **Patent No.:** **US D731,636 S**
(45) **Date of Patent:** **** Jun. 9, 2015**

(54) **SPIDER FIREPIT GRATE**
(71) Applicant: **Lee A. Hills**, Atlanta, GA (US)
(72) Inventor: **Lee A. Hills**, Atlanta, GA (US)
(**) Term: **14 Years**
(21) Appl. No.: **29/463,582**
(22) Filed: **Jan. 9, 2014**
(51) **LOC (10) Cl.** **23-03**
(52) **U.S. Cl.**
USPC **D23/403**
(58) **Field of Classification Search**
USPC D23/405, 407, 409, 410, 415-422, 499,
D23/403; D7/403, 404, 407; D13/100;
44/530, 550; 126/39 E, 144, 148, 242,
126/243, 258, 500, 540
See application file for complete search history.

D503,068 S * 3/2005 May et al. D7/388
7,051,649 B2 * 5/2006 Lin 99/449
8,151,784 B2 * 4/2012 Czajkoski 126/30
8,312,874 B2 * 11/2012 Dupont 126/540
D697,192 S * 1/2014 Hills D23/403
D697,193 S * 1/2014 Hills D23/403
D697,194 S * 1/2014 Hills D23/403
D701,953 S * 4/2014 Hills D23/403
2008/0196708 A1 * 8/2008 Lee 126/25 R
2013/0068210 A1 * 3/2013 Koelzer 126/152 B
2014/0026881 A1 * 1/2014 Abrams et al. 126/25 R

* cited by examiner

Primary Examiner — Karen S Acker

(74) *Attorney, Agent, or Firm* — David C Purdue

(57) **CLAIM**
The ornamental design for a spider firepit grate, as shown and described.

(56) **References Cited**

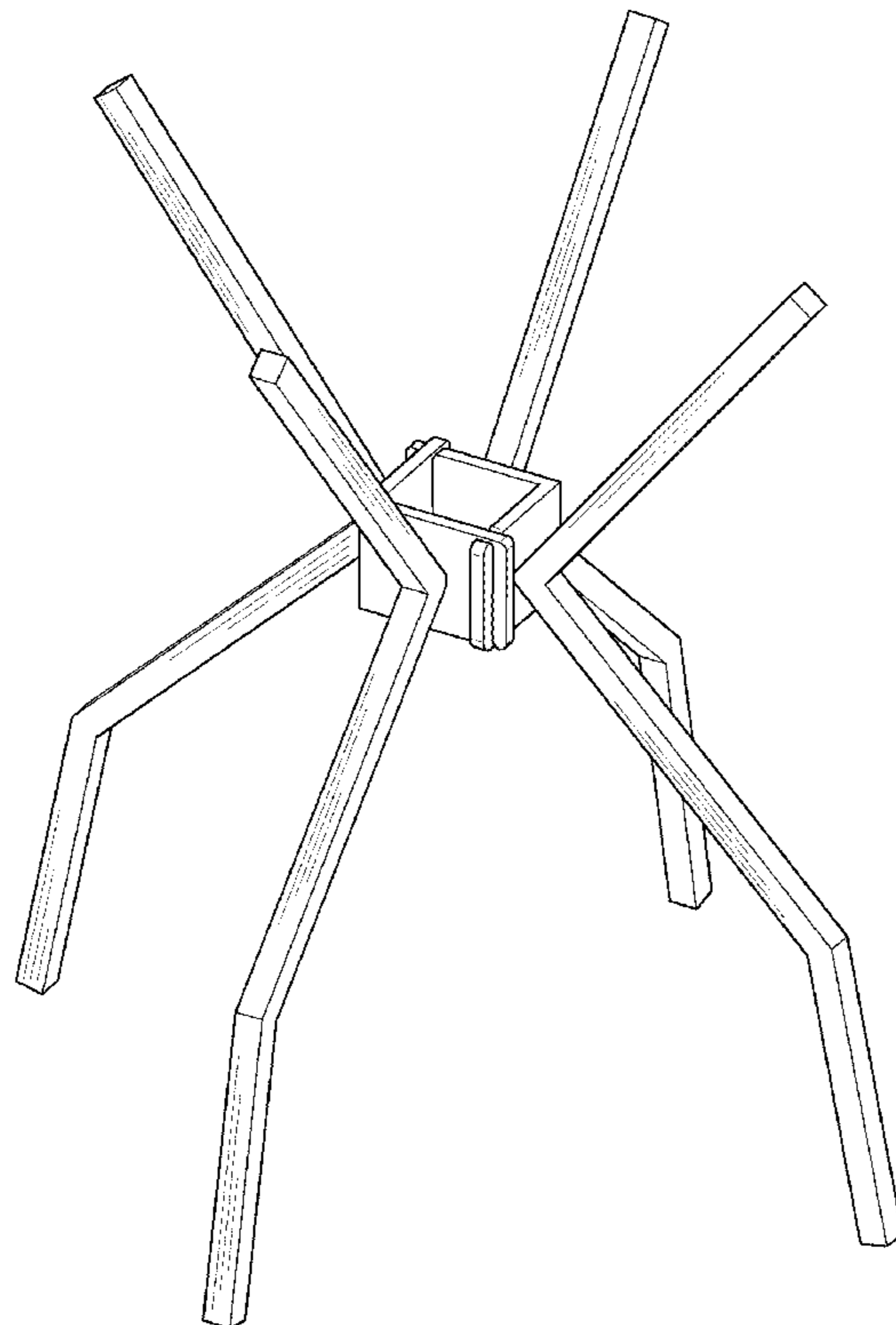
U.S. PATENT DOCUMENTS

1,779,867 A * 10/1930 Ahrold 248/146
D99,126 S * 3/1936 Huntington D7/332
3,392,947 A * 7/1968 Keliehor 248/188.1
4,273,167 A * 6/1981 Stillwell 141/314
D263,109 S * 2/1982 Peterson D34/6
D271,935 S * 12/1983 Conner et al. D7/332
D275,807 S * 10/1984 Peterson D34/6
D337,933 S * 8/1993 Gryz D7/332
D428,299 S * 7/2000 Pai D7/332
D463,195 S * 9/2002 Jimenez D7/332

DESCRIPTION

FIG. 1 is a perspective view of a spider firepit grate showing my new design;
FIG. 2 is a front view thereof, the rear view being a mirror image;
FIG. 3 is a left side view thereof, the right side being a mirror image;
FIG. 4 is a bottom view thereof; and,
FIG. 5 is a top view thereof.

1 Claim, 5 Drawing Sheets



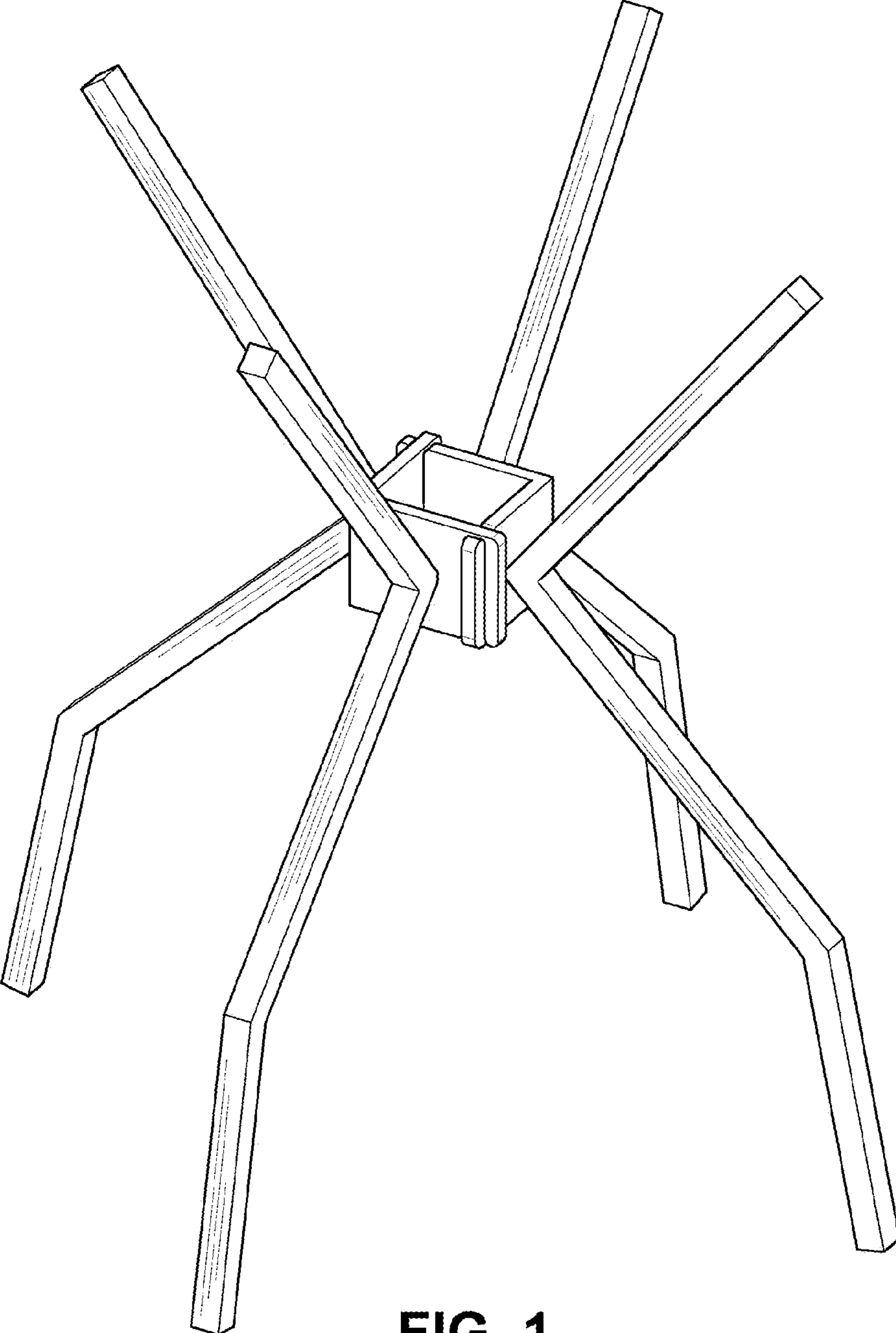


FIG. 1

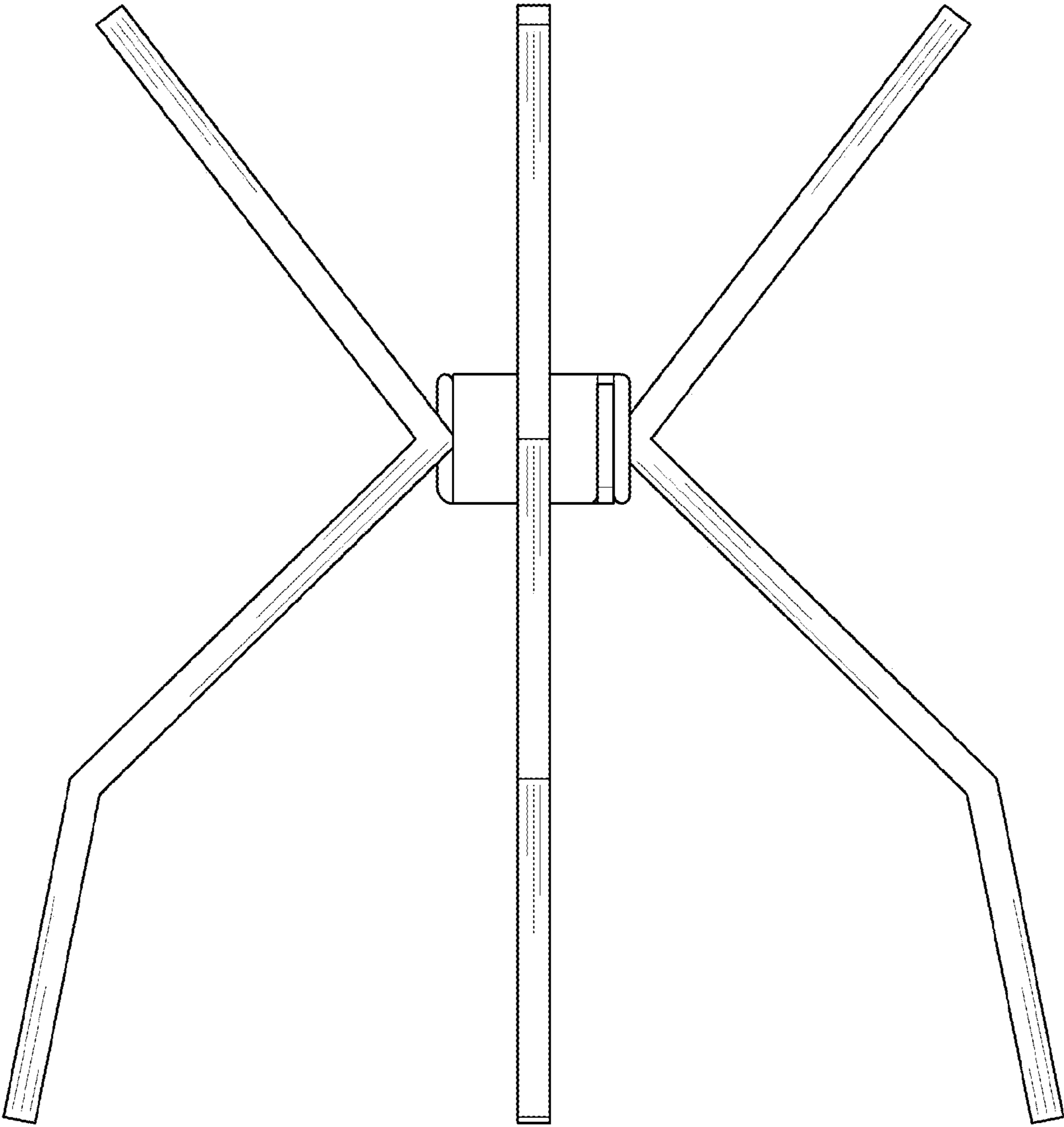


FIG. 2

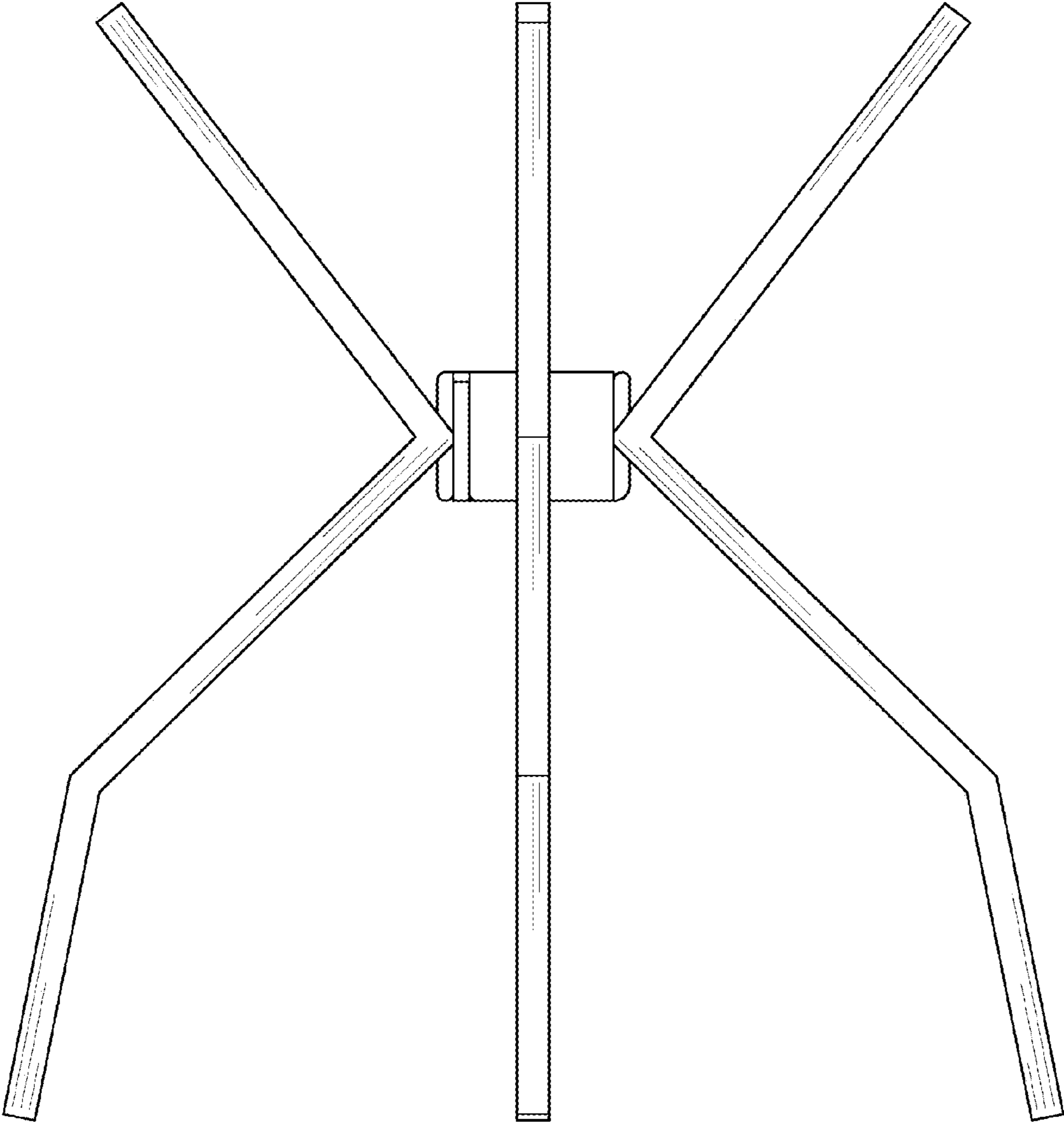


FIG. 3

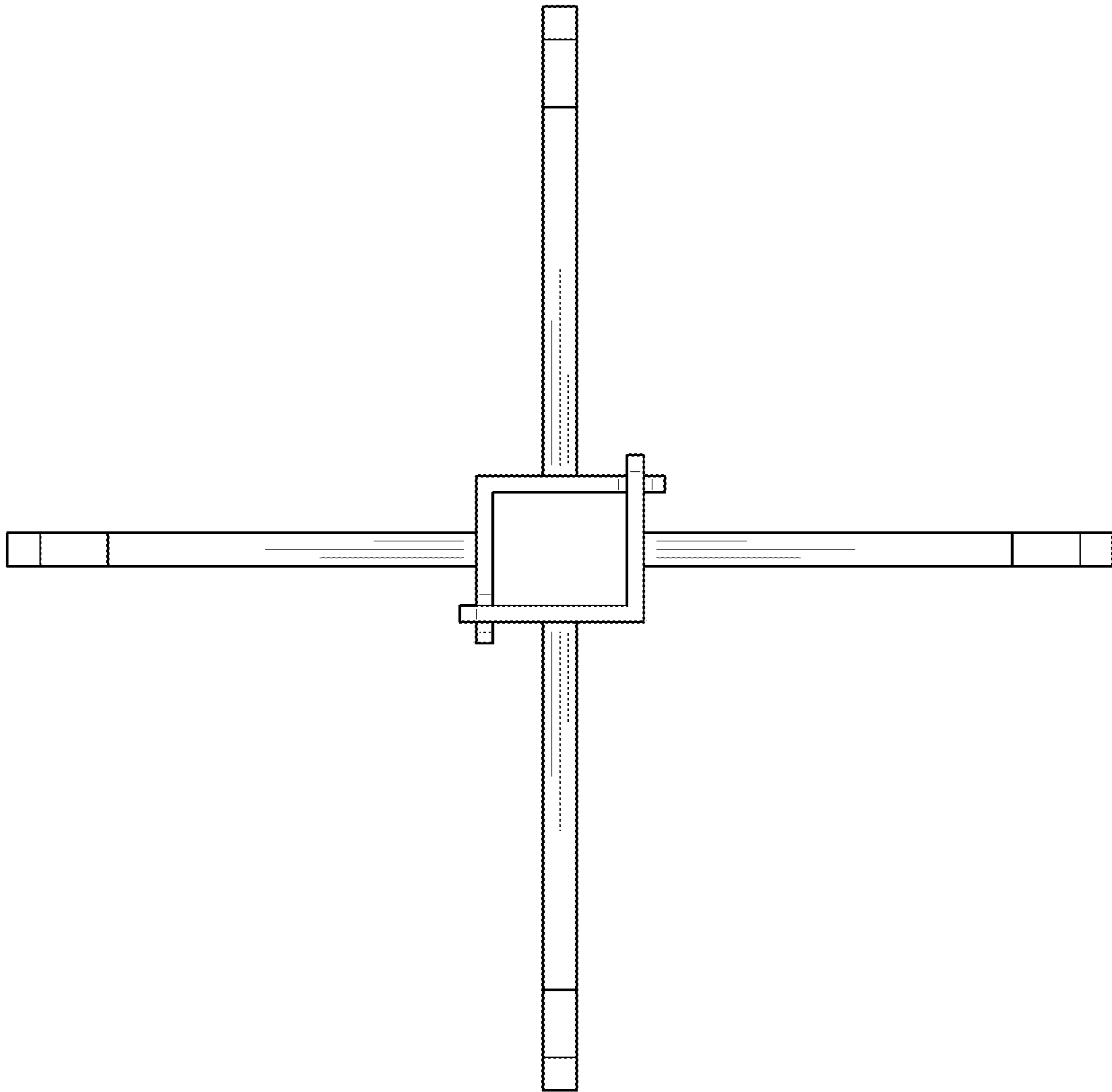


FIG. 4

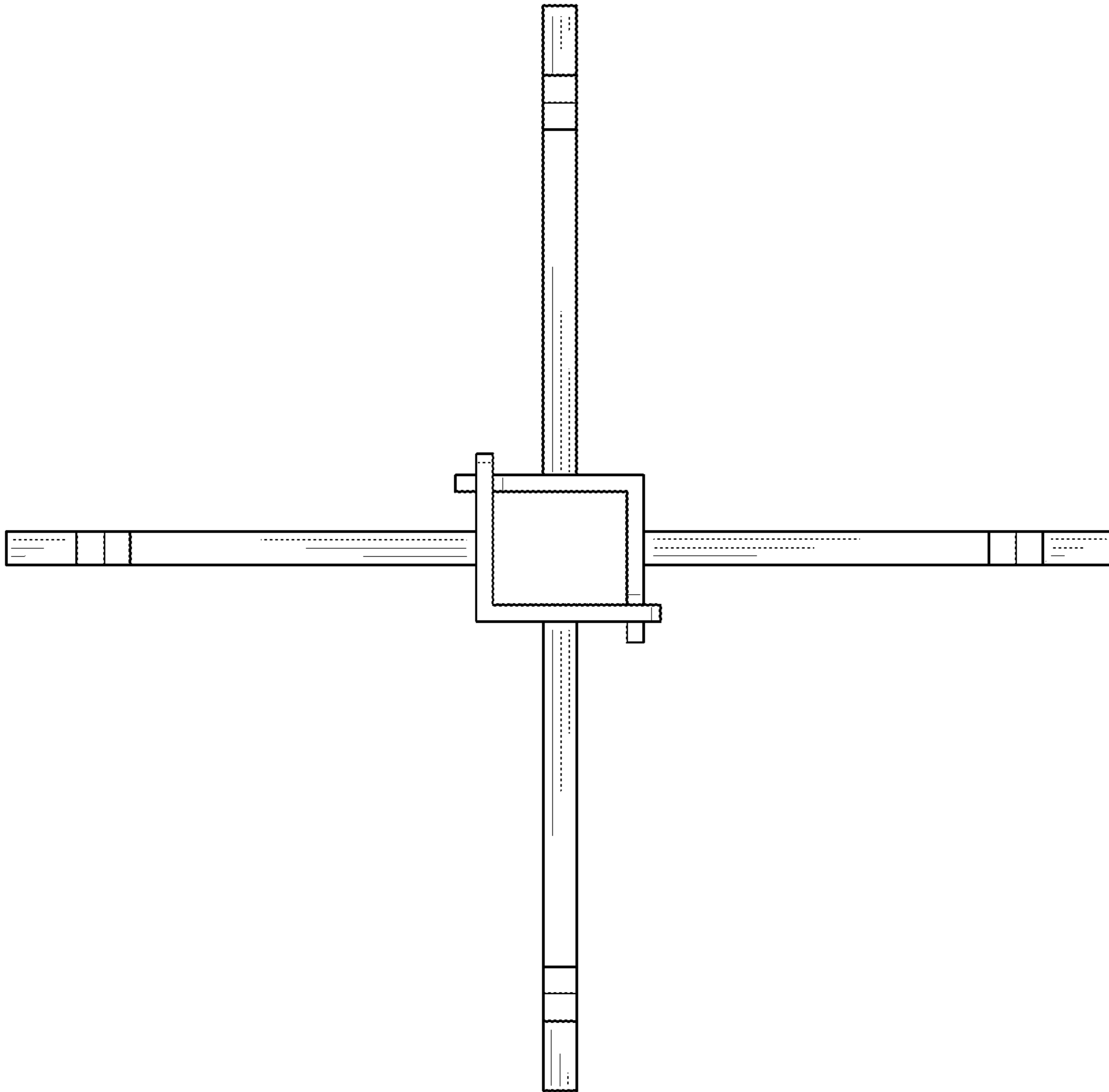


FIG. 5