



US00D731635S

(12) **United States Design Patent**
Venisti

(10) **Patent No.:** **US D731,635 S**
(45) **Date of Patent:** **** Jun. 9, 2015**

(54) **PERFUME DIFFUSER**

(71) Applicant: **Millefiori S.r.l.**, Milan (IT)

(72) Inventor: **Michele Venisti**, Turin (IT)

(73) Assignee: **Millefiori S.r.l.**, Milan (IT)

(**) Term: **14 Years**

(21) Appl. No.: **29/503,631**

(22) Filed: **Sep. 29, 2014**

(51) **LOC (10) Cl.** **28-99**

(52) **U.S. Cl.**
USPC **D23/366**

(58) **Field of Classification Search**
USPC D23/355-369; D28/5, 6; 261/DIG. 17,
261/DIG. 42, DIG. 65, DIG. 88, DIG. 89;
392/386, 390, 394, 395, 397; 239/34,
239/44, 53, 55, 56, 326; D26/9, 10;
D11/131.1

See application file for complete search history.

(56) **References Cited**

U.S. PATENT DOCUMENTS

D373,626 S *	9/1996	Dente et al.	D23/366
5,932,147 A *	8/1999	Chen	261/30
D503,973 S *	4/2005	Millan	D23/366
D544,088 S *	6/2007	Wu	D23/368
D544,594 S *	6/2007	Zobebe	D23/366
D549,812 S *	8/2007	Fellows et al.	D23/366
D551,333 S *	9/2007	Wu	D23/366

D555,778 S *	11/2007	Fellows et al.	D23/366
D613,388 S *	4/2010	Koenig et al.	D23/366
D618,329 S *	6/2010	Koenig et al.	D23/368
D621,021 S *	8/2010	Koenig et al.	D23/368
D621,923 S *	8/2010	Koenig et al.	D23/366
D629,500 S *	12/2010	Koenig et al.	D23/368
D629,881 S *	12/2010	Valentino et al.	D23/368
D631,954 S *	2/2011	Bertassi et al.	D23/366
8,485,454 B1 *	7/2013	Irvin et al.	239/58
D694,382 S *	11/2013	Brandenburg et al.	D23/366
2005/0127538 A1 *	6/2005	Fabrega et al.	261/104

* cited by examiner

Primary Examiner — Sandra Snapp

(74) *Attorney, Agent, or Firm* — Heslin Rothenberg Farley & Mesiti P.C.; Victor A. Cardona, Esq.

(57) **CLAIM**

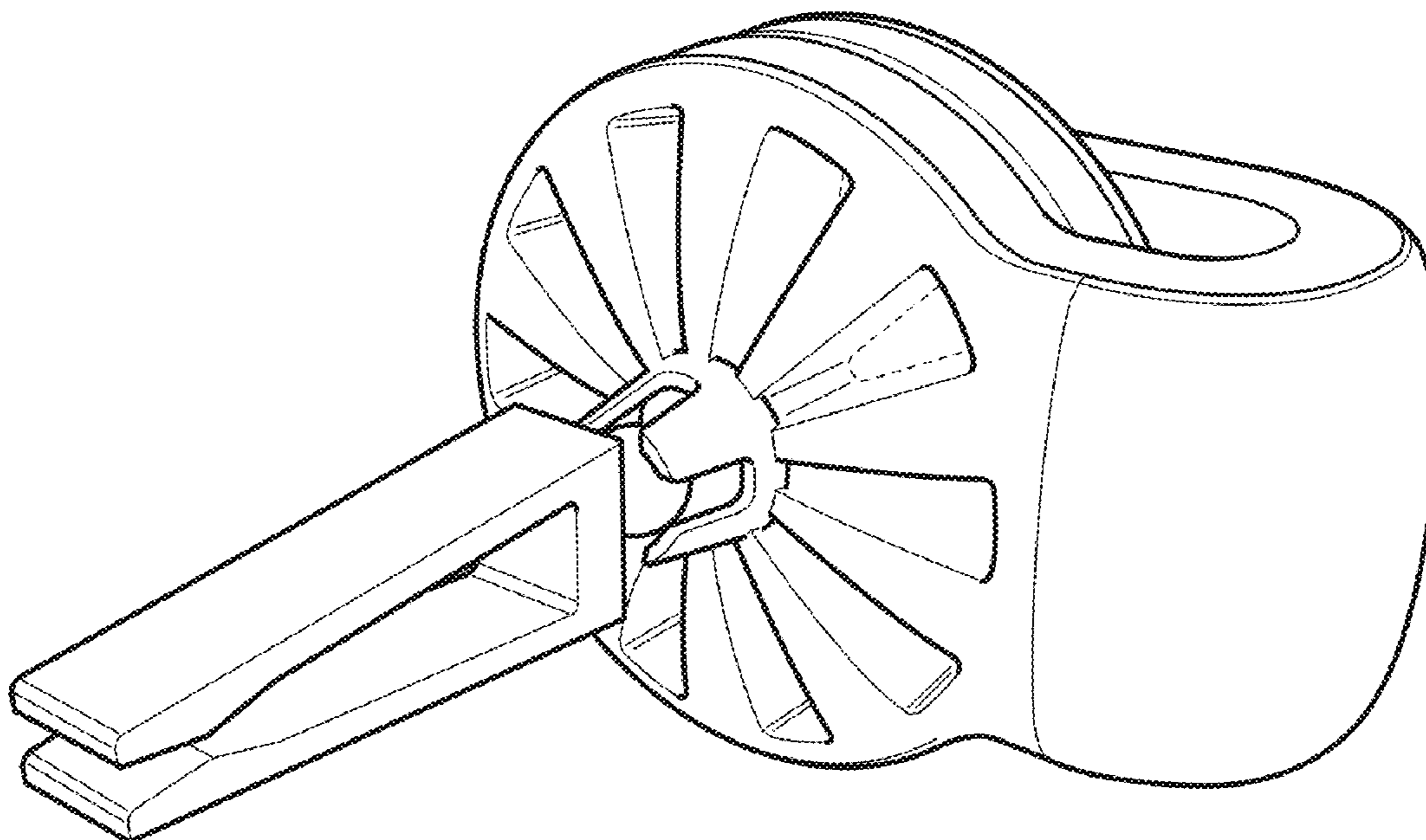
The ornamental design for a perfume diffuser, as shown and described.

DESCRIPTION

FIG. 1 is a front perspective view of a perfume diffuser comprising the new design;
FIG. 2 is a rear perspective view thereof;
FIG. 3 is a top plan view thereof;
FIG. 4 is a bottom plan view thereof;
FIG. 5 is a left side view thereof;
FIG. 6 is a right side view thereof;
FIG. 7 is a front view thereof; and,
FIG. 8 is a rear view thereof.

The broken lines shown in the drawings are for illustrative purposes only and form no part of the claimed design.

1 Claim, 7 Drawing Sheets



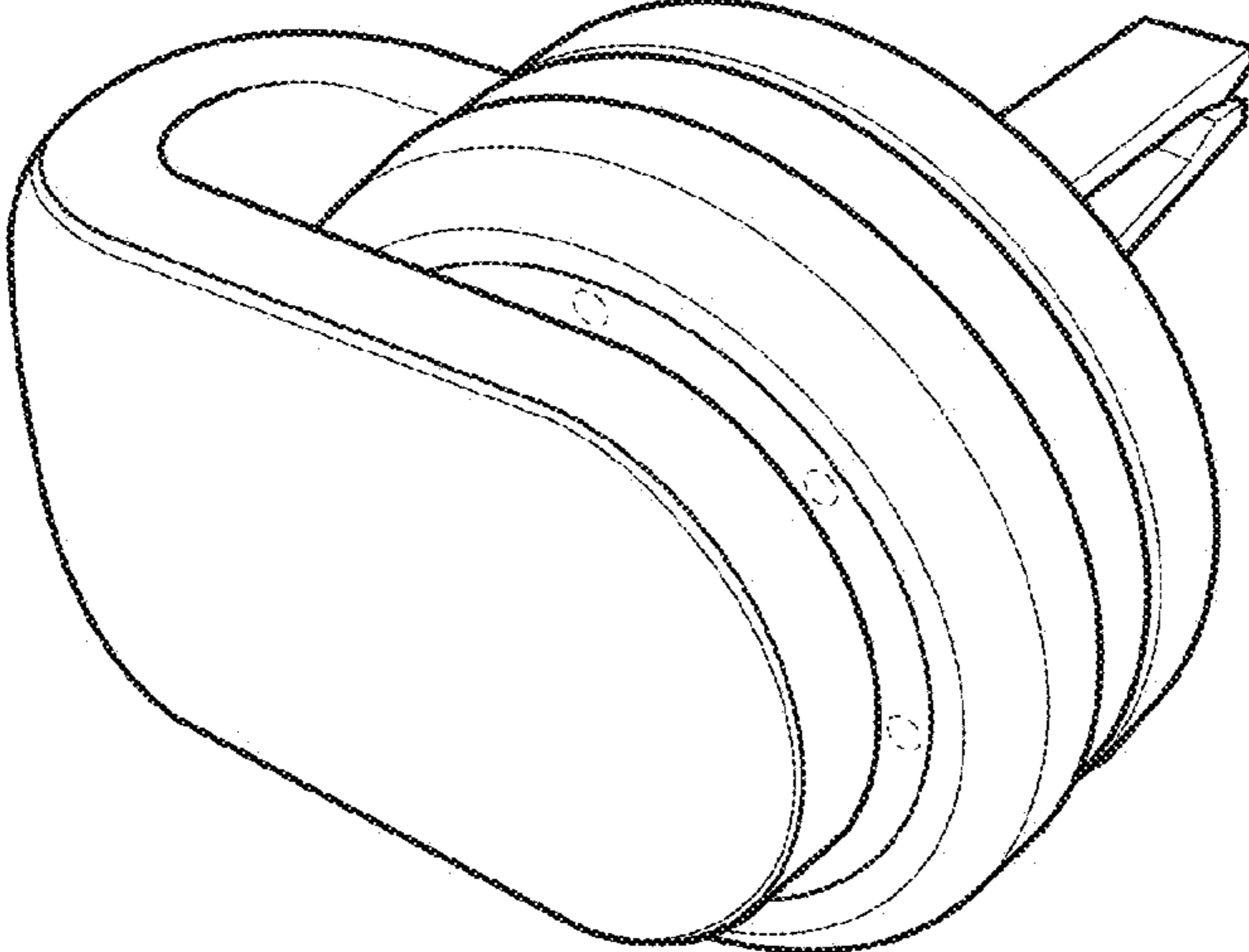


FIG. 1

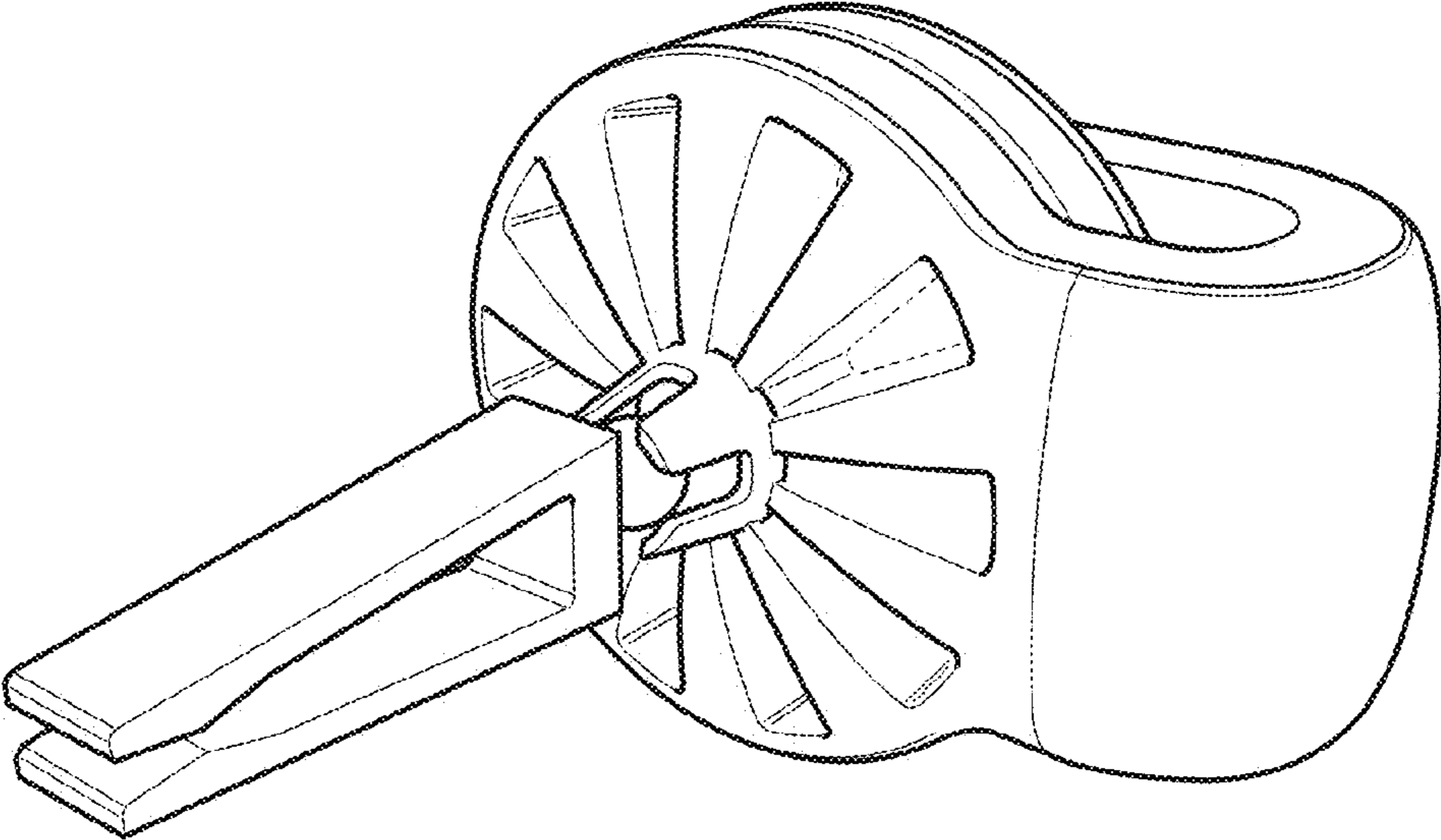


FIG. 2

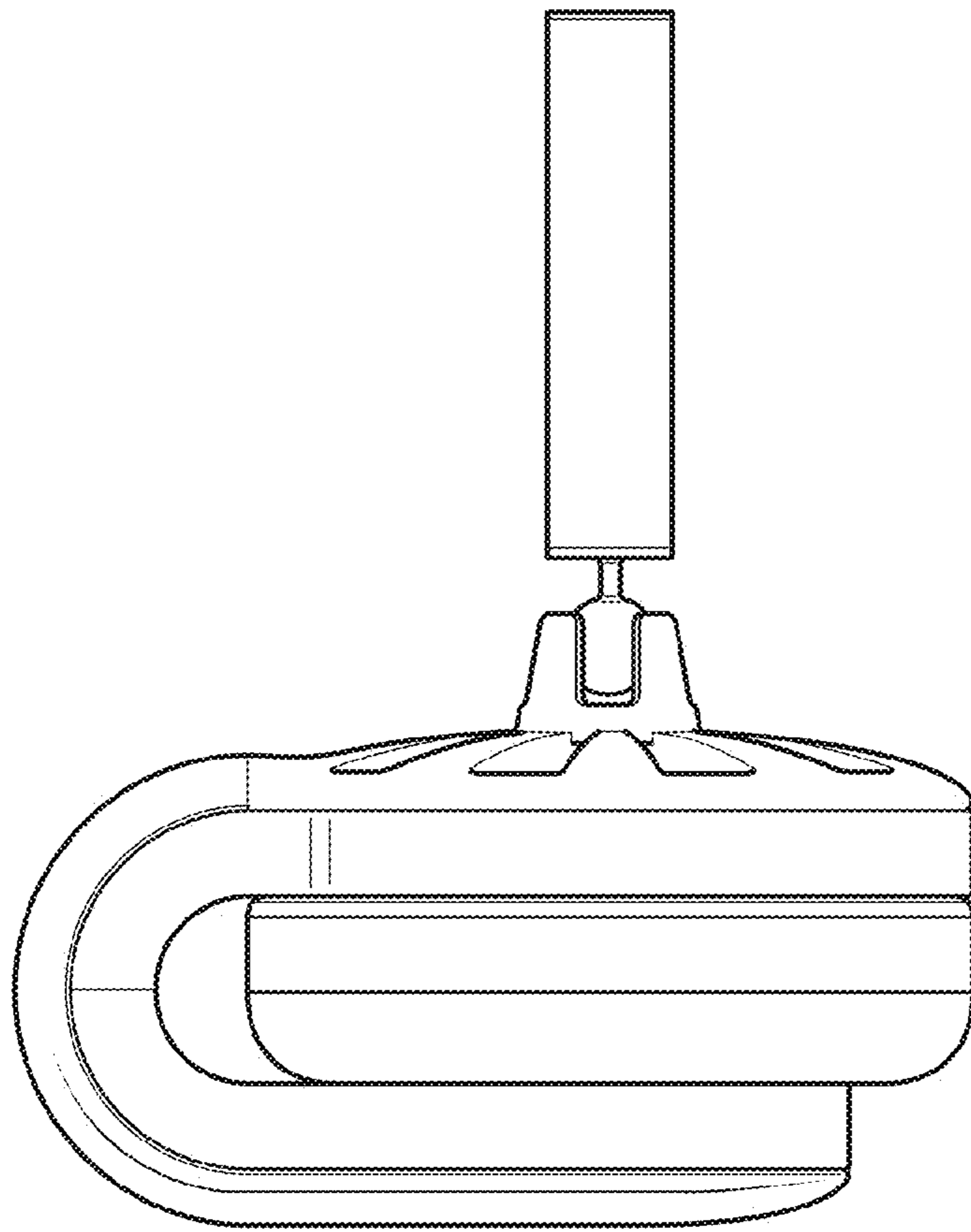


FIG. 3

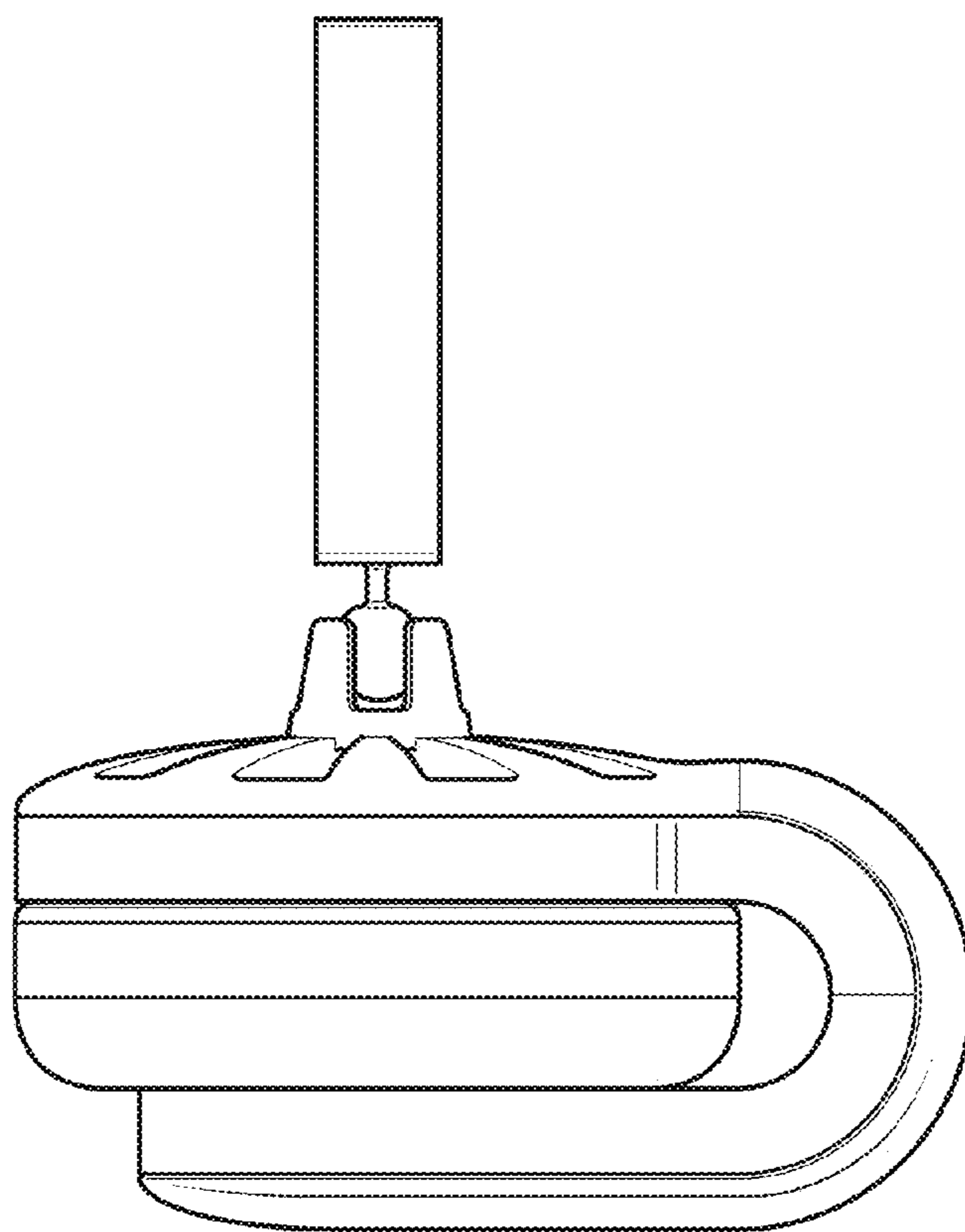


FIG. 4

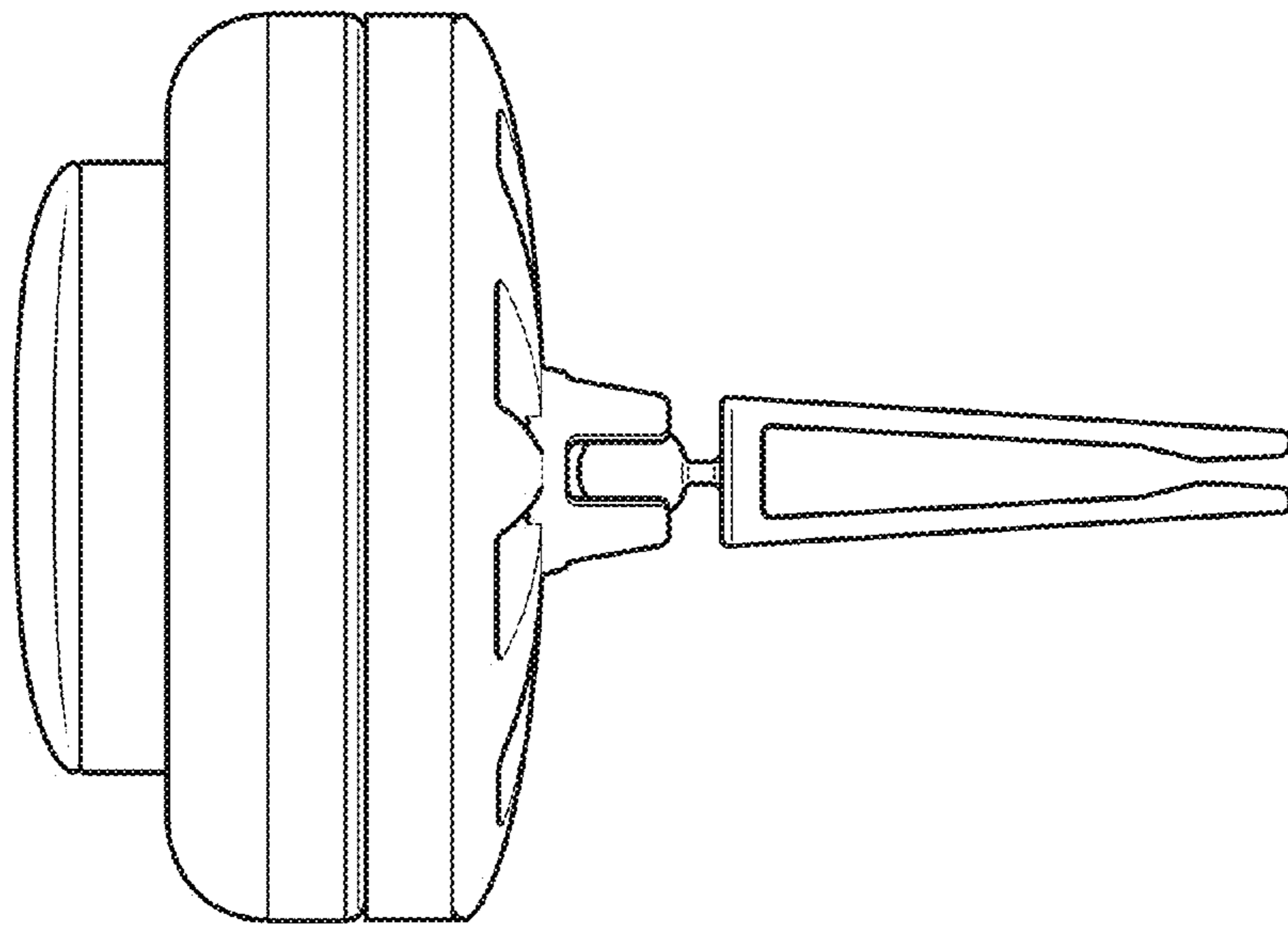


FIG. 5

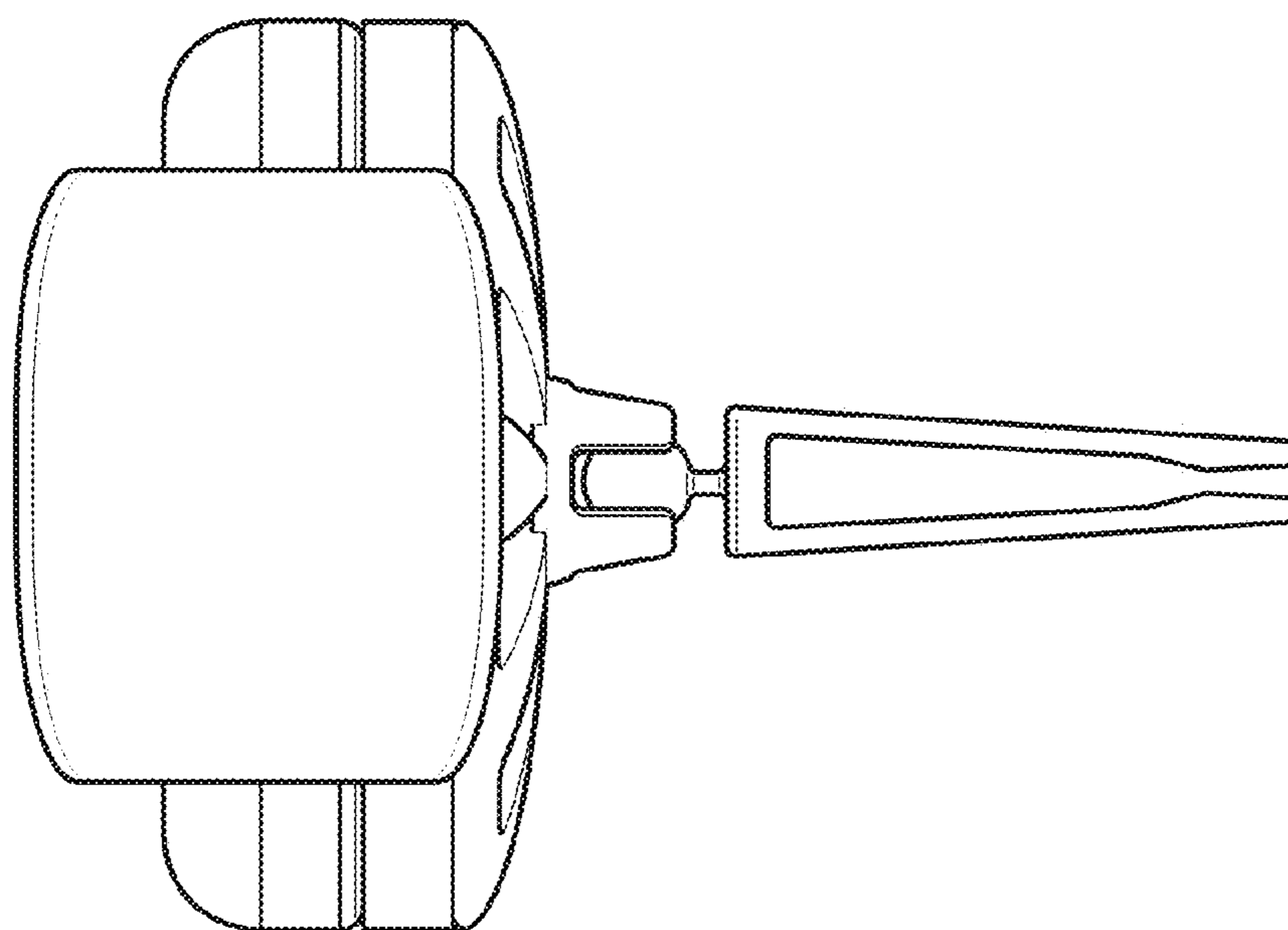


FIG. 6

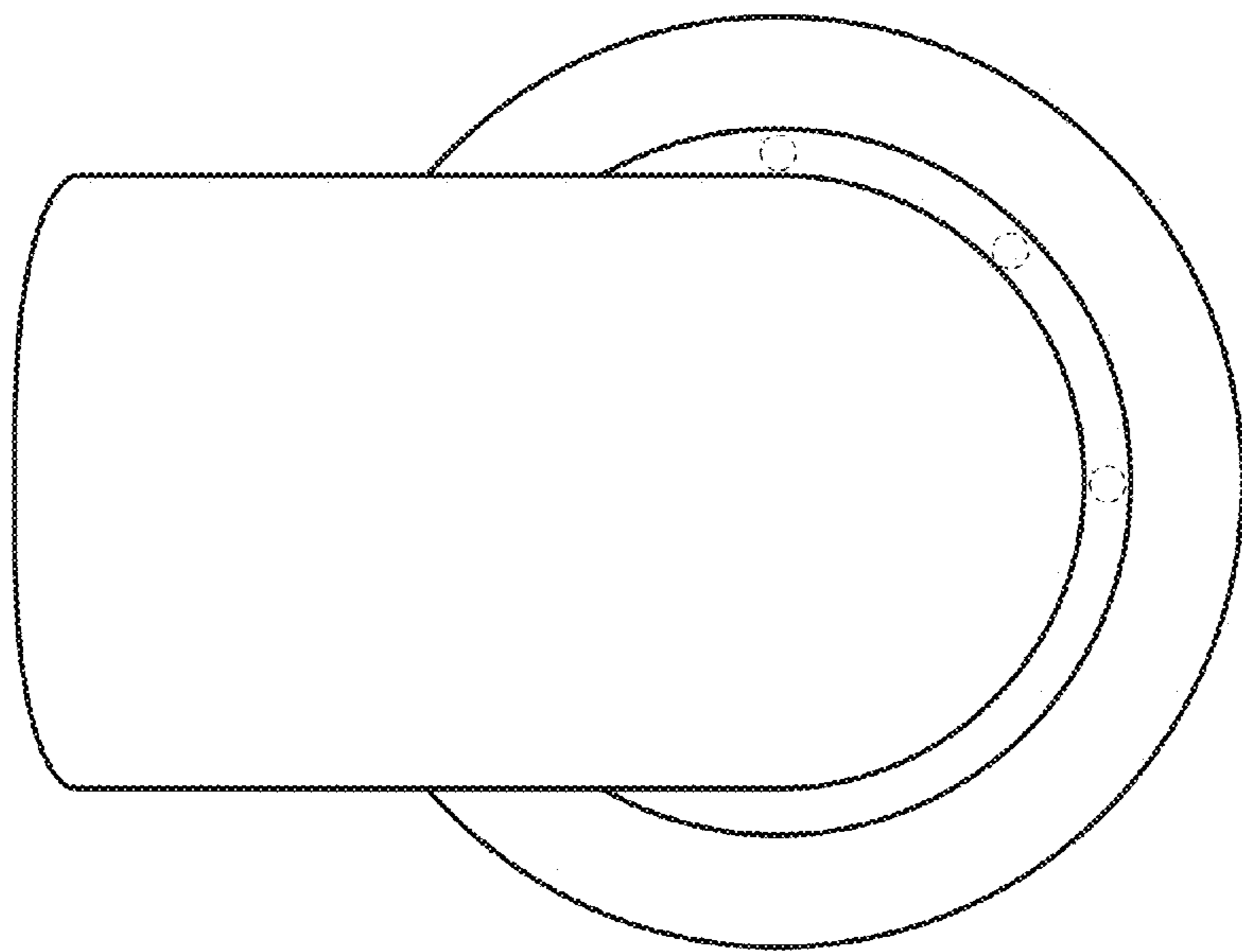


FIG. 7

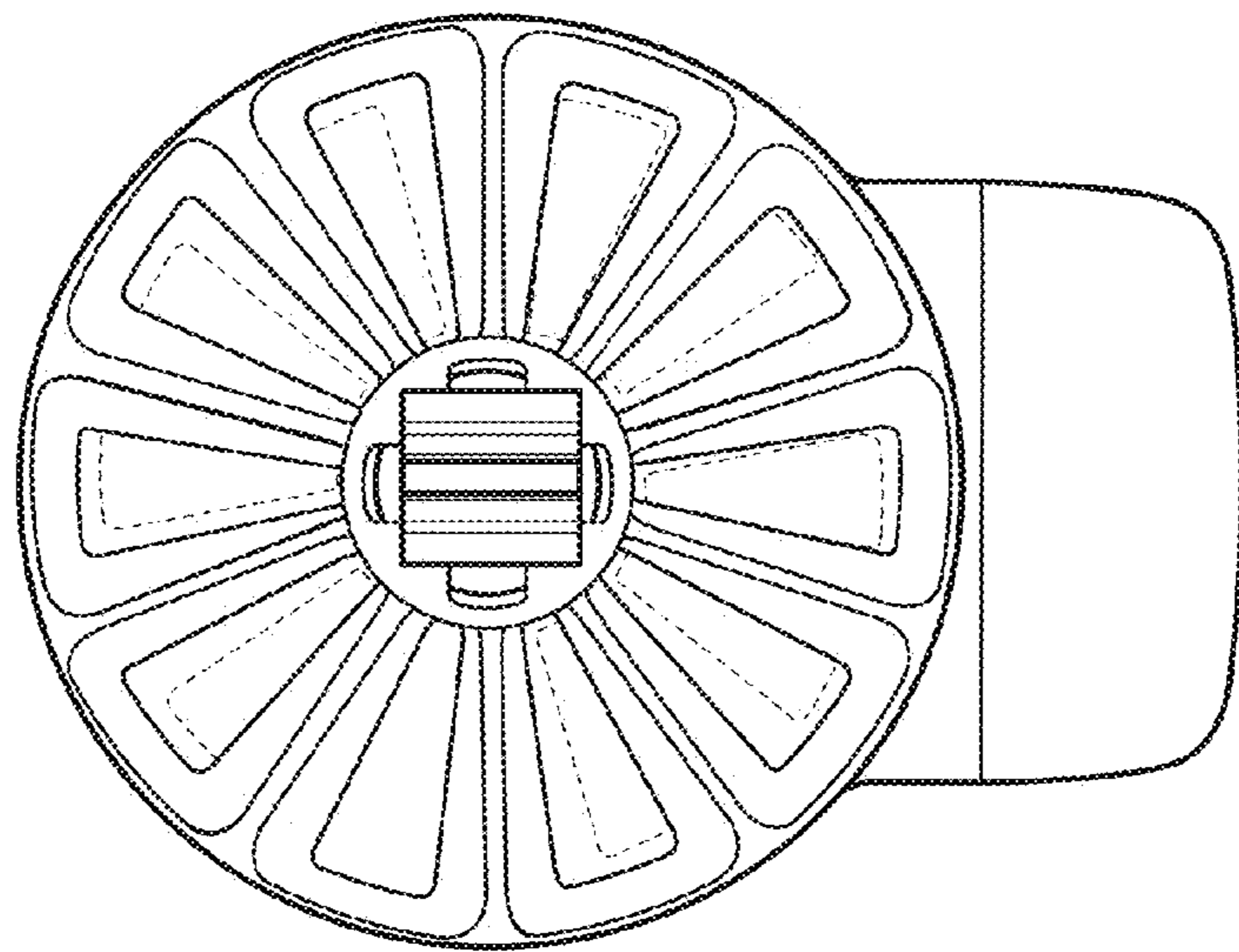


FIG. 8