



US00D731632S

(12) **United States Design Patent**
Kulp et al.

(10) **Patent No.:** **US D731,632 S**
(45) **Date of Patent:** **** Jun. 9, 2015**

(54) **COMPACT DEHUMIDIFIER**

(71) Applicant: **Dri-Eaz Products, Inc.**, Burlington, WA (US)

(72) Inventors: **Ryan Kulp**, Bellingham, WA (US);
Keith Hoffman, Lake Stevens, WA (US); **William Bruders**, Sedro Woolley, WA (US); **Richard A. Black**, Bellingham, WA (US)

(73) Assignee: **Dri-Eaz Products, Inc.**, Burlington, WA (US)

(**) Term: **14 Years**

(21) Appl. No.: **29/438,879**

(22) Filed: **Dec. 4, 2012**

(51) **LOC (10) Cl.** **28-99**

(52) **U.S. Cl.**
USPC **D23/359**

(58) **Field of Classification Search**
USPC D23/355-369, 386, 392, 393, 401;
D28/5, 6; 261/DIG. 17, DIG. 42,
261/DIG. 65, DIG. 88, DIG. 89; 392/386,
392/390, 394, 395; 239/34, 44, 53, 55, 56,
239/326

See application file for complete search history.

(56) **References Cited**

U.S. PATENT DOCUMENTS

1,690,108 A 11/1928 Grady
1,870,457 A 8/1932 Kenney

(Continued)

FOREIGN PATENT DOCUMENTS

CN 1046384 A 10/1990
EP 0046528 A1 3/1982

(Continued)

OTHER PUBLICATIONS

U.S. Appl. No. 13/599,826, filed Aug. 30, 2012, Wolfe et al.

(Continued)

Primary Examiner — Sandra Snapp

(74) *Attorney, Agent, or Firm* — Perkins Coie LLP

(57) **CLAIM**

The ornamental design for the compact dehumidifier, as shown and described.

DESCRIPTION

FIG. 1 is an isometric view of the first embodiment of a compact dehumidifier showing our new design.

FIG. 2 is a front view of the first embodiment of the compact dehumidifier.

FIG. 3 is a back view of the first embodiment of the compact dehumidifier.

FIG. 4 is a left side view of the first embodiment of the compact dehumidifier.

FIG. 5 is a right side view of the first embodiment of the compact dehumidifier.

FIG. 6 is a top view of the first embodiment of the compact dehumidifier.

FIG. 7 is a bottom view of the first embodiment of the compact dehumidifier.

FIG. 8 is an isometric view of the second embodiment of a compact dehumidifier showing our new design.

FIG. 9 is a front view of the second embodiment of the compact dehumidifier.

FIG. 10 is a back view of the second embodiment of the compact dehumidifier.

FIG. 11 is a left side view of the second embodiment of the compact dehumidifier.

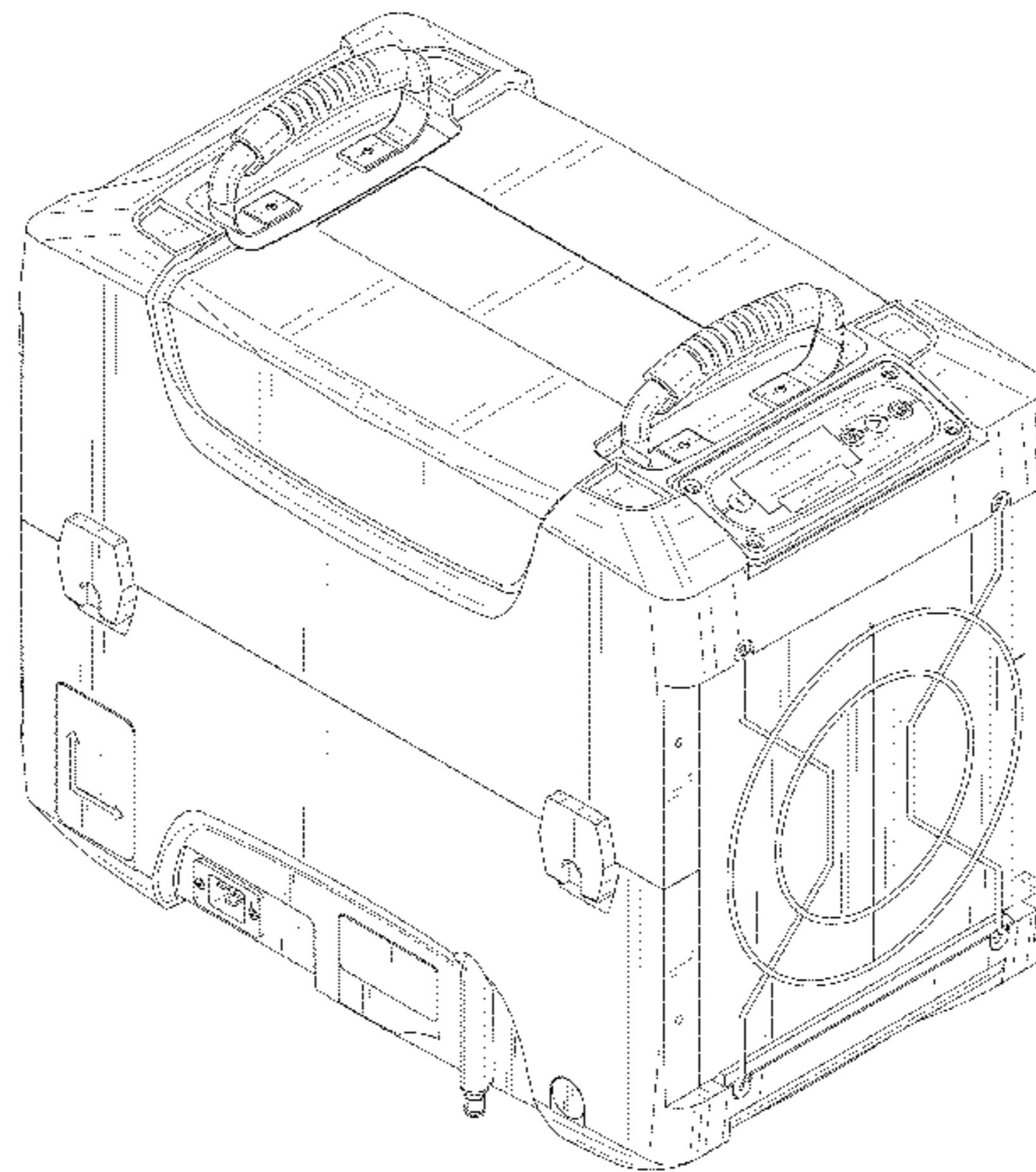
FIG. 12 is a right side view of the second embodiment of the compact dehumidifier.

FIG. 13 is a top view of the second embodiment of the compact dehumidifier; and,

FIG. 14 is a bottom view of the second embodiment of the compact dehumidifier.

The features shown in broken lines depict environmental subject matter only and form no part of the claimed design.

1 Claim, 14 Drawing Sheets



(56)

References Cited

U.S. PATENT DOCUMENTS

1,894,026 A	1/1933	Derry	5,303,561 A	4/1994	Bahel et al.
2,093,725 A	9/1937	Hull	5,333,470 A	8/1994	Dinh
2,130,092 A	9/1938	Kettering	5,394,040 A	2/1995	Khanh
2,188,975 A	2/1940	Herz	5,404,938 A	4/1995	Dinh
2,623,364 A	12/1952	Munters	D361,178 S	8/1995	Piret
D171,429 S	2/1954	Thompson	5,443,624 A	8/1995	Claesson
2,719,596 A	10/1955	Kent et al.	5,448,897 A	9/1995	Dinh
2,758,390 A	8/1956	Munters	D364,947 S	12/1995	Kent et al.
2,886,956 A	5/1959	Loveley	D368,770 S	4/1996	Tanner et al.
2,905,851 A	9/1959	Caussin	5,548,905 A	8/1996	Kuma et al.
2,932,178 A	4/1960	Armstrong et al.	5,564,184 A	10/1996	Dinh
2,959,036 A	11/1960	Mehalick	5,582,246 A	12/1996	Dinh
2,959,400 A	11/1960	Simpelaar	D379,016 S	4/1997	Wilson
2,975,609 A	3/1961	Allander et al.	5,634,353 A	6/1997	Hallin et al.
3,000,193 A	9/1961	Crider	5,649,372 A	7/1997	Souza
3,035,419 A	5/1962	Wigert	5,684,672 A	11/1997	Karidis et al.
3,097,507 A	7/1963	Makuh	5,736,647 A	4/1998	Matsubara et al.
3,141,762 A	7/1964	Serck-Hanssen	D394,499 S	5/1998	Bettag et al.
3,149,479 A	9/1964	Peterson	5,746,061 A	5/1998	Kramer
3,265,129 A	8/1966	Bawabe	5,749,415 A	5/1998	Dinh
D212,777 S	11/1968	Anderson	D395,492 S	6/1998	Phillips et al.
3,621,906 A	11/1971	Leffert	5,785,723 A	7/1998	Berean et al.
3,623,549 A	11/1971	Smith, Jr.	5,794,453 A	8/1998	Barnwell
3,807,493 A	4/1974	Stewart	D402,021 S	12/1998	Allen et al.
3,820,581 A	6/1974	Machida et al.	5,845,702 A	12/1998	Dinh
3,866,674 A	2/1975	Tramuta et al.	5,890,368 A	4/1999	Lakdawala
3,877,518 A	4/1975	Dreksler	5,901,565 A	5/1999	Morton, Jr.
3,968,833 A	7/1976	Strindehag et al.	5,913,360 A	6/1999	Stark
4,000,779 A	1/1977	Irwin	5,921,315 A	7/1999	Dinh
4,044,820 A	8/1977	Nobles	5,950,439 A	9/1999	Peterson et al.
4,091,547 A	5/1978	Leigh	5,953,831 A	9/1999	Yu
4,099,928 A	7/1978	Norback	5,953,926 A	9/1999	Dressler et al.
4,176,525 A	12/1979	Tucker et al.	5,992,161 A	11/1999	O'Halloran et al.
4,183,399 A	1/1980	Seehausen	D419,230 S	1/2000	Ciccone
4,189,848 A	2/1980	Ko et al.	D420,473 S	2/2000	Shero
D254,566 S	3/1980	Cummins	6,021,644 A	2/2000	Ares et al.
4,259,268 A	3/1981	DiRoss	6,029,464 A	2/2000	Kil et al.
4,280,483 A	7/1981	Schaffer	6,030,426 A	2/2000	Stopyra et al.
4,295,342 A	10/1981	Parro	6,035,551 A	3/2000	Scheufler et al.
4,333,517 A	6/1982	Parro	D422,351 S	4/2000	Griffin
4,428,207 A	1/1984	Hall	D422,386 S	4/2000	Jaros et al.
4,452,051 A	6/1984	Berger et al.	D426,473 S	6/2000	Blackburn
4,502,286 A	3/1985	Okada et al.	6,101,815 A	8/2000	van Oort et al.
4,546,820 A	10/1985	Whipple	6,105,278 A	8/2000	Gerrish et al.
4,607,498 A	8/1986	Dinh	6,182,747 B1	2/2001	Stark
4,615,383 A	10/1986	Hisao	D441,161 S	4/2001	Shetterly
4,628,696 A	12/1986	Rodgers	6,223,543 B1	5/2001	Sandelman
4,724,901 A	2/1988	Munekawa	6,237,352 B1	5/2001	Goodchild
4,758,385 A	7/1988	Acker et al.	D445,116 S	7/2001	Evans et al.
4,761,966 A	8/1988	Stark	D446,612 S	8/2001	Kohler
4,771,824 A	9/1988	Rojey et al.	D453,560 S	2/2002	Van Brunt
4,827,733 A	5/1989	Dinh	6,447,586 B1	9/2002	Campbell
4,921,041 A	5/1990	Akachi	D465,018 S	10/2002	Gustafsson et al.
D308,414 S	6/1990	Makihara	6,463,794 B1	10/2002	Moshe et al.
4,938,035 A	7/1990	Dinh	6,478,855 B1	11/2002	Okano
4,942,740 A	7/1990	Shaw et al.	6,542,062 B1	4/2003	Herrick
D310,412 S	9/1990	Fukumoto et al.	D480,467 S	10/2003	White
4,971,137 A	11/1990	Thompson	D482,171 S	11/2003	Vui et al.
4,971,139 A	11/1990	Khattar	6,644,060 B1	11/2003	Dagan
5,022,241 A	6/1991	Wilkinson	6,796,896 B2	9/2004	Laiti
5,031,411 A	7/1991	Gehring et al.	D500,848 S	1/2005	Holderfield et al.
5,033,539 A	7/1991	Kohtaka	6,895,774 B1	5/2005	Ares et al.
5,050,109 A	9/1991	Ladd	D508,735 S	8/2005	Klein
D325,252 S	4/1992	Morris et al.	6,941,763 B2	9/2005	Maeda et al.
5,115,645 A	5/1992	Abraham	D515,190 S	2/2006	Bartholmey et al.
5,117,651 A	6/1992	Suh	D529,019 S	9/2006	Lim et al.
5,183,106 A	2/1993	Stancliffe et al.	7,194,870 B1	3/2007	O'Brien et al.
D333,890 S	3/1993	Oberdorfer-Bogel	7,228,693 B2	6/2007	Helt
D334,258 S	3/1993	Oberdorfer-Bogel	7,246,503 B1	7/2007	O'Brien et al.
5,219,020 A	6/1993	Akachi	7,281,389 B1	10/2007	O'Brien et al.
D337,592 S	7/1993	Hider et al.	D565,269 S	3/2008	Tomasiak et al.
5,265,895 A	11/1993	Barrett	D572,356 S	7/2008	Harber
5,269,151 A	12/1993	Dinh	D577,426 S	9/2008	Huang
D343,706 S	1/1994	Gurstein	D581,111 S	11/2008	DiPasquale
5,301,515 A	4/1994	Iritani et al.	D581,608 S	11/2008	Dammkoehler et al.
			7,581,408 B2	9/2009	Stark
			D612,032 S	3/2010	Gildersleeve et al.
			D617,437 S	6/2010	Matsuzaki
			7,856,840 B2	12/2010	Yoon et al.

(56)

References Cited

U.S. PATENT DOCUMENTS

D634,414	S	3/2011	Wolfe et al.
D641,844	S	7/2011	Kim et al.
D641,845	S	7/2011	Breit et al.
8,056,182	B2	11/2011	Day
D652,132	S *	1/2012	Orihara et al. D23/366
8,091,868	B2	1/2012	Robb et al.
8,127,397	B2	3/2012	Hess et al.
8,227,648	B2	7/2012	Wegerer et al.
2001/0045098	A1	11/2001	Derryberry et al.
2003/0034573	A1	2/2003	Mulvaney
2005/0011255	A1	1/2005	Weisenberger et al.
2005/0011962	A1	1/2005	Weisenberger et al.
2005/0066538	A1	3/2005	Goldberg et al.
2005/0183430	A1	8/2005	McMillan et al.
2005/0218535	A1	10/2005	Maisotsenko et al.
2005/0235673	A1	10/2005	Sueoka et al.
2006/0053819	A1	3/2006	Wu et al.
2006/0086125	A1	4/2006	Sueoka et al.
2006/0214315	A1	9/2006	Williams
2006/0260790	A1	11/2006	Theno et al.
2007/0012060	A1	1/2007	Simons
2007/0107450	A1	5/2007	Sasao et al.
2008/0028776	A1	2/2008	O'Brien et al.
2008/0202131	A1	8/2008	Brody
2008/0223050	A1	9/2008	Bruders et al.
2009/0007367	A1	1/2009	Archbold
2009/0101727	A1	4/2009	Boudreau
2009/0165485	A1	7/2009	Stark
2010/0125367	A1	5/2010	Burton et al.
2010/0224565	A1	9/2010	Dunne et al.
2010/0269526	A1	10/2010	Pendergrass et al.
2011/0061408	A1	3/2011	Schnelle
2011/0073290	A1	3/2011	Chang et al.
2013/0047662	A1	2/2013	Black et al.
2014/0150488	A1	6/2014	Black et al.

FOREIGN PATENT DOCUMENTS

EP	830554	A1	3/1998
EP	893657	A1	1/1999
FR	2687464	A1	8/1993
GB	1311232	A	3/1973
GB	2006950	A	5/1979
JP	60188795	A	9/1985
JP	61164622	A	7/1986
JP	62023418	A	1/1987
JP	01041792	A	2/1989
JP	6111591	A	4/1994
JP	1994000037473		9/1995
JP	08135999	A	5/1996

JP	08313013		11/1996
JP	09239230	A	9/1997
JP	2001182965	A	7/2001
JP	2005241052	A	9/2005
JP	2007054700	A	3/2007
WO	WO-9112476	A1	8/1991
WO	WO-9641111	A1	12/1996
WO	WO-02-50623	A1	6/2002
WO	WO-2006135172	A2	12/2006
WO	WO-2008057647	A2	5/2008

OTHER PUBLICATIONS

U.S. Appl. No. 29/400,737, filed Aug. 31, 2011, Wolfe et al.
 "Air Conditioner/Dehumidifier," abstract from Spinoff 1986 article, facsimile dated Nov. 29, 1999, 2 pages.
 "DrizAir 2400 Dehumidifier: Introduced in Aug. 1998 . . .", from web site, <<http://www.drieaz.com/2400.htm>>, Jan. 10, 2000, 2 pages.
 Dri-Eaz, "2002 Product Catalog," Jan. 1, 2002, 7 pages.
 Drieaz, "Complete Drying Solutions for Restorative Drying Professionals," 2000, 3 pages.
 Dri-Eaz, "Driz-Air 2400 Captures Design Award," <<http://www.drieaz.com/newsreleases/newsrelease999.html>>, internet accessed on Jan. 10, 2000, 2 pages.
 Dri-Eaz, Owner's Manuel—Evolution™ LGR Dehumidifier, 115v Model, Dri Eaz Products, Inc., www.dri-eaz.com, 2007, 7 pages.
 Dri-Eaz, Product Catalog, Jan. 1, 2003, Burlington, Washington, U.S., 3 pages.
 Hodnell, Charles, "Wrap-Around Heat Pipe Makes Its Debut!" Hot Line Newsletter, vol. 15, No. 1, Mar. 1995, 2 pages.
 Johannesen, R., et al., "Efficient Humidity Control with Heat Pipes," University of Florida—Florida Cooperative Extension Service, Fact Sheet, Dec. 1991, 7 pages.
 Jon-Don; Gale Force Air Mover from Dry-Air at Jon-Don; www.jondon.com/galeforce/; Mar. 2003, 3 pages.
 New Release, "Dri-Eaz Products Introduces Rotomolded Dehumidifier", Aug. 27, 1998, from web site, <<http://www.drieaz.com/newsreleases898.html>>, 3 pages.
 Tropic Kool, "What are Heat Pipes?" <<http://tropickool.com/heat-pipes.html>>, internet accessed on Nov. 29, 1999, 6 pages.
 U.S. Products, "The Flood King—Portable Water Extractor for Restoration," Instant 212° F. Heat at the Wand Tip, <http://www.usproducts.com/products/restoration/floodking.htm>, accessed Aug. 17, 2011, 1 page.
 International Search Report and Written Opinion for International Patent Application No. PCT/US2013/072903, Applicant: Dri-Eaz Products, Inc., mailed Mar. 11, 2014, 16 pages.

* cited by examiner

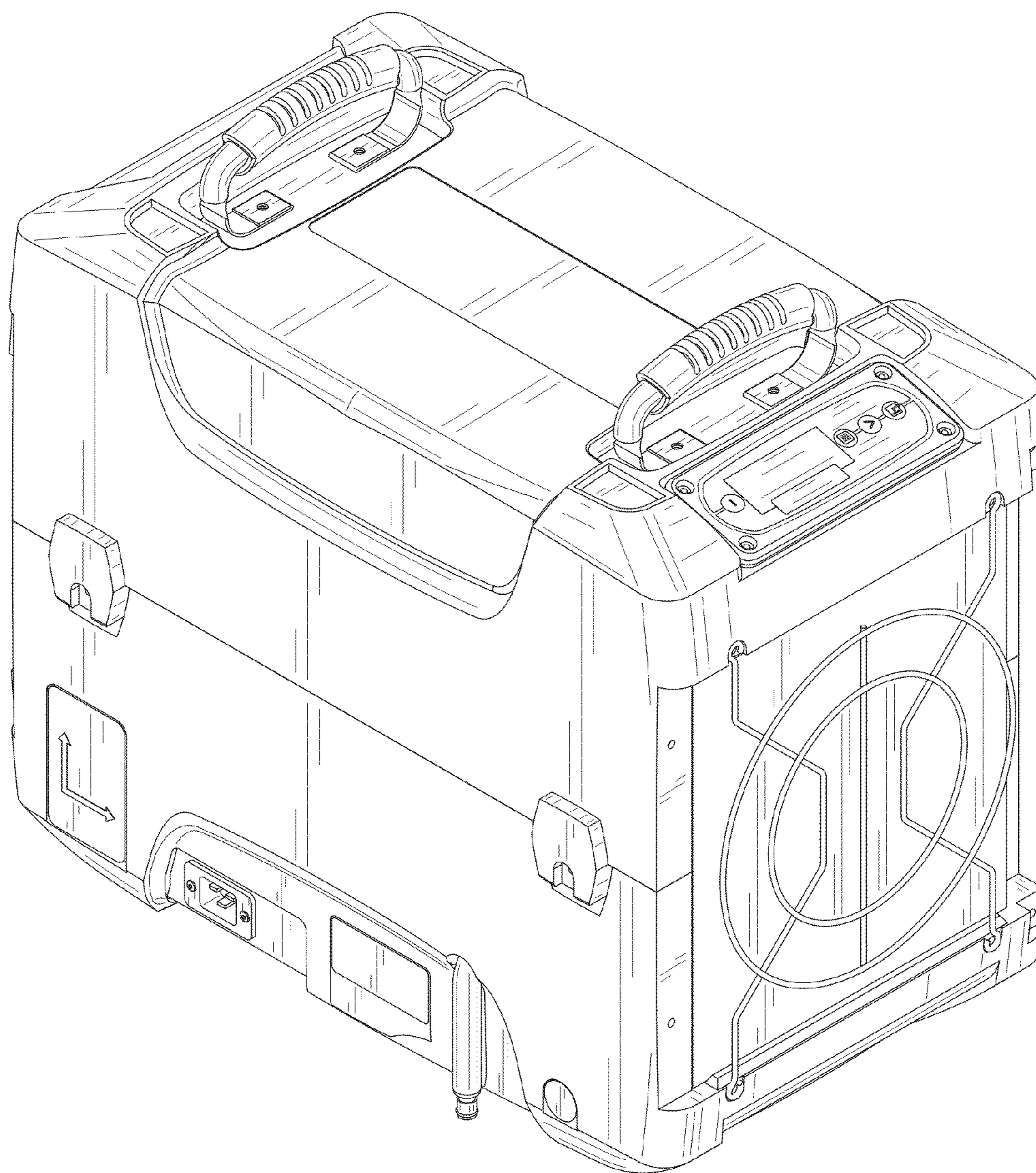


Fig. 1

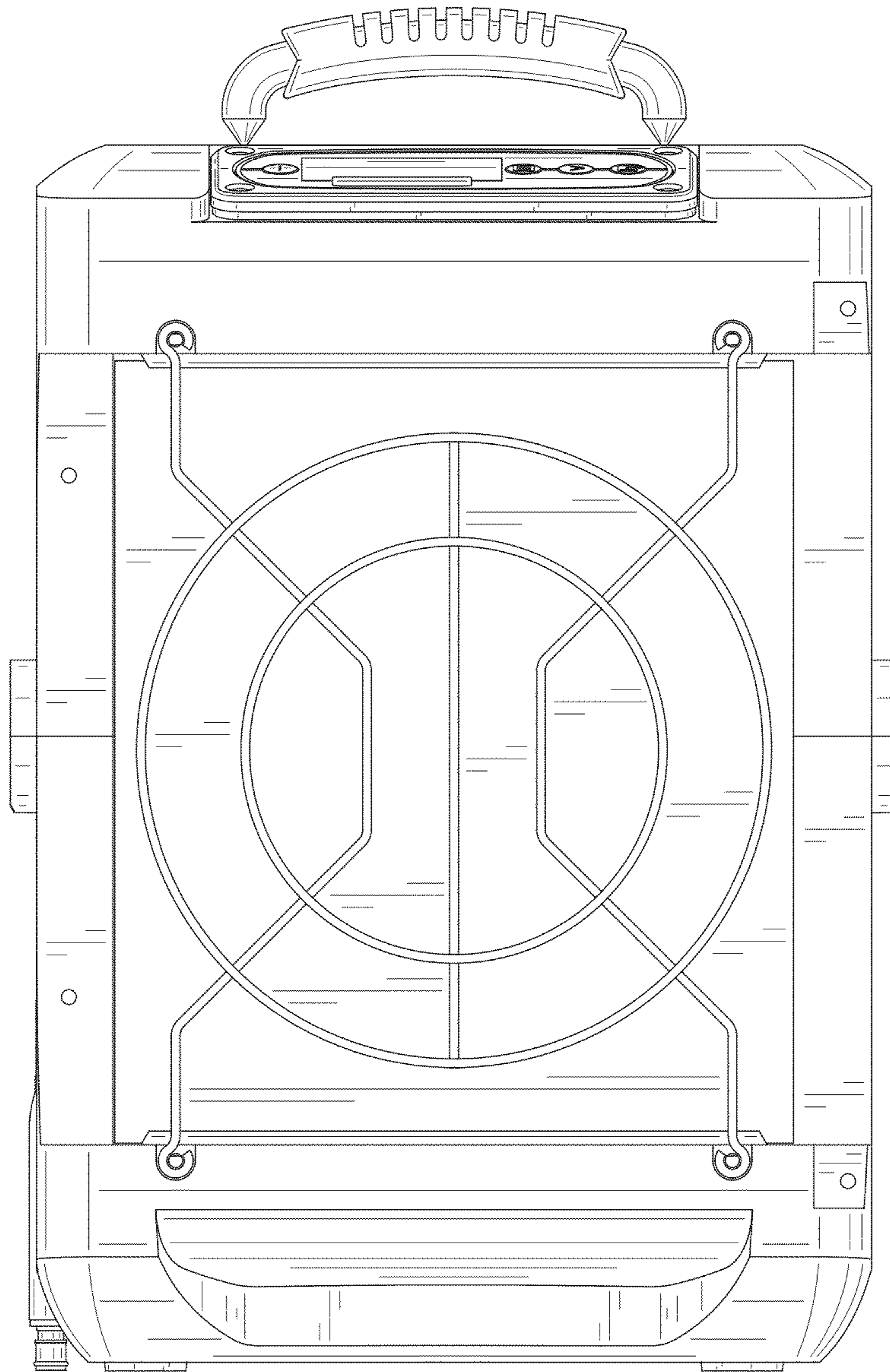


Fig. 2

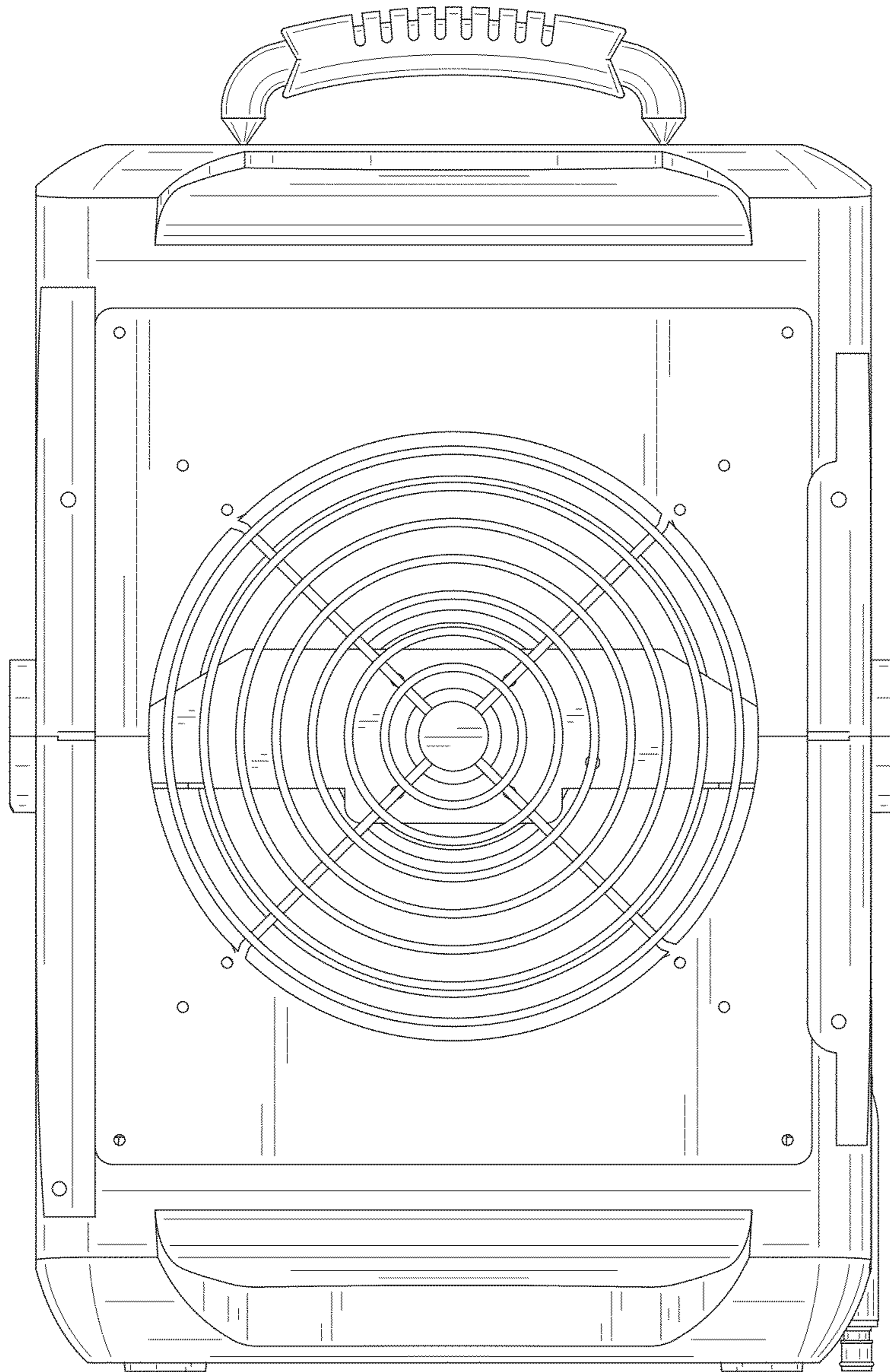


Fig. 3

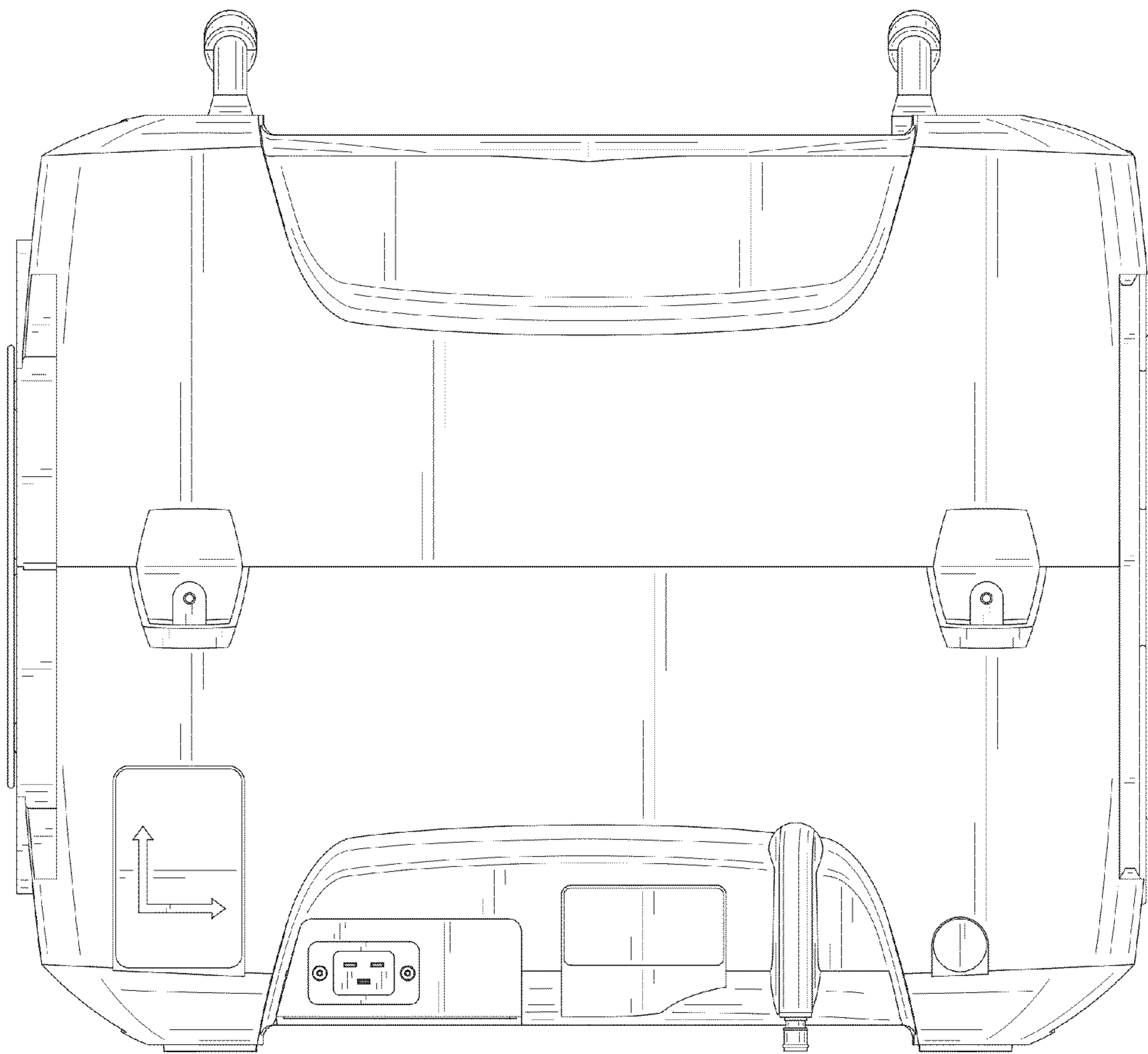


Fig. 4

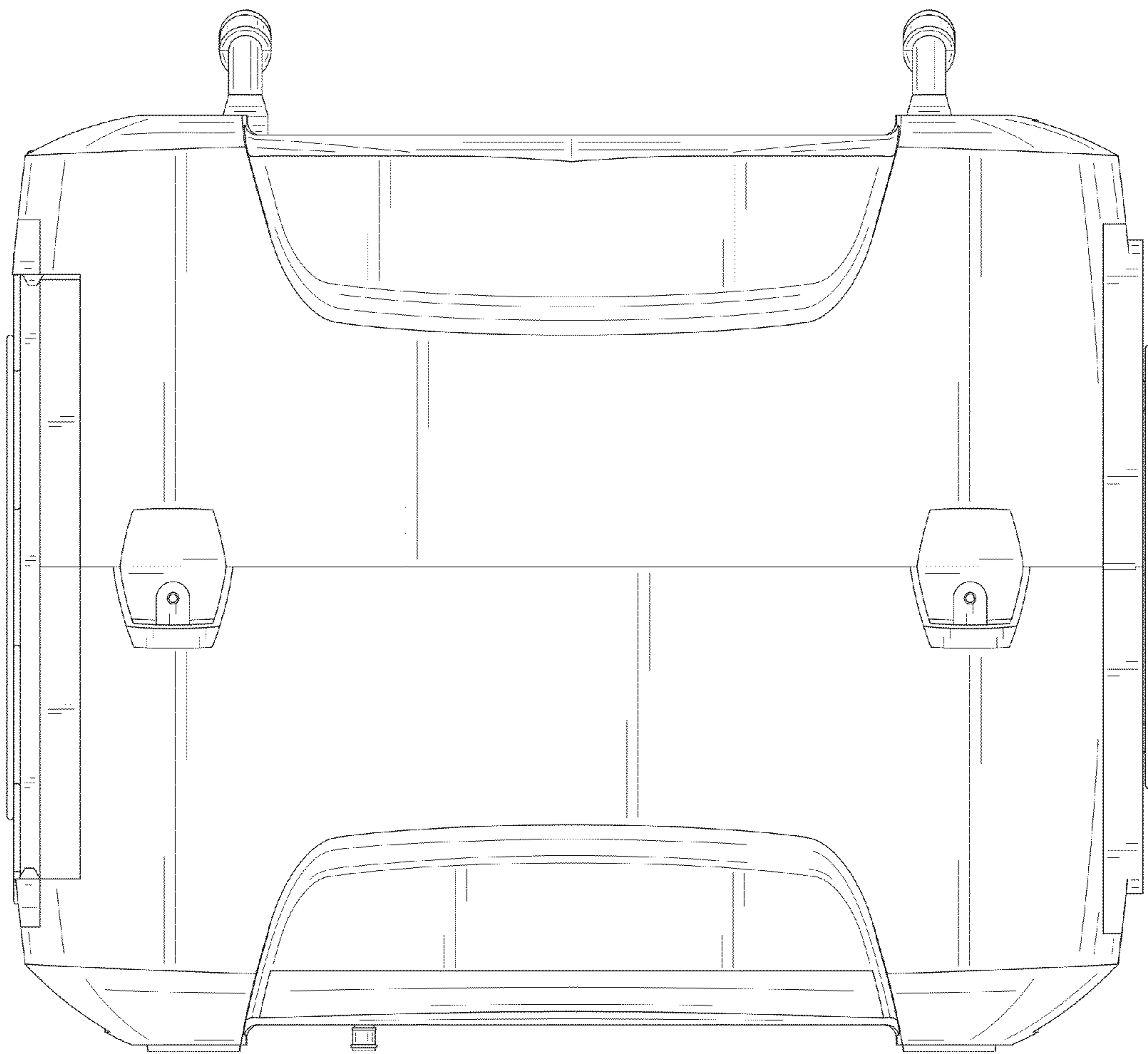


Fig. 5

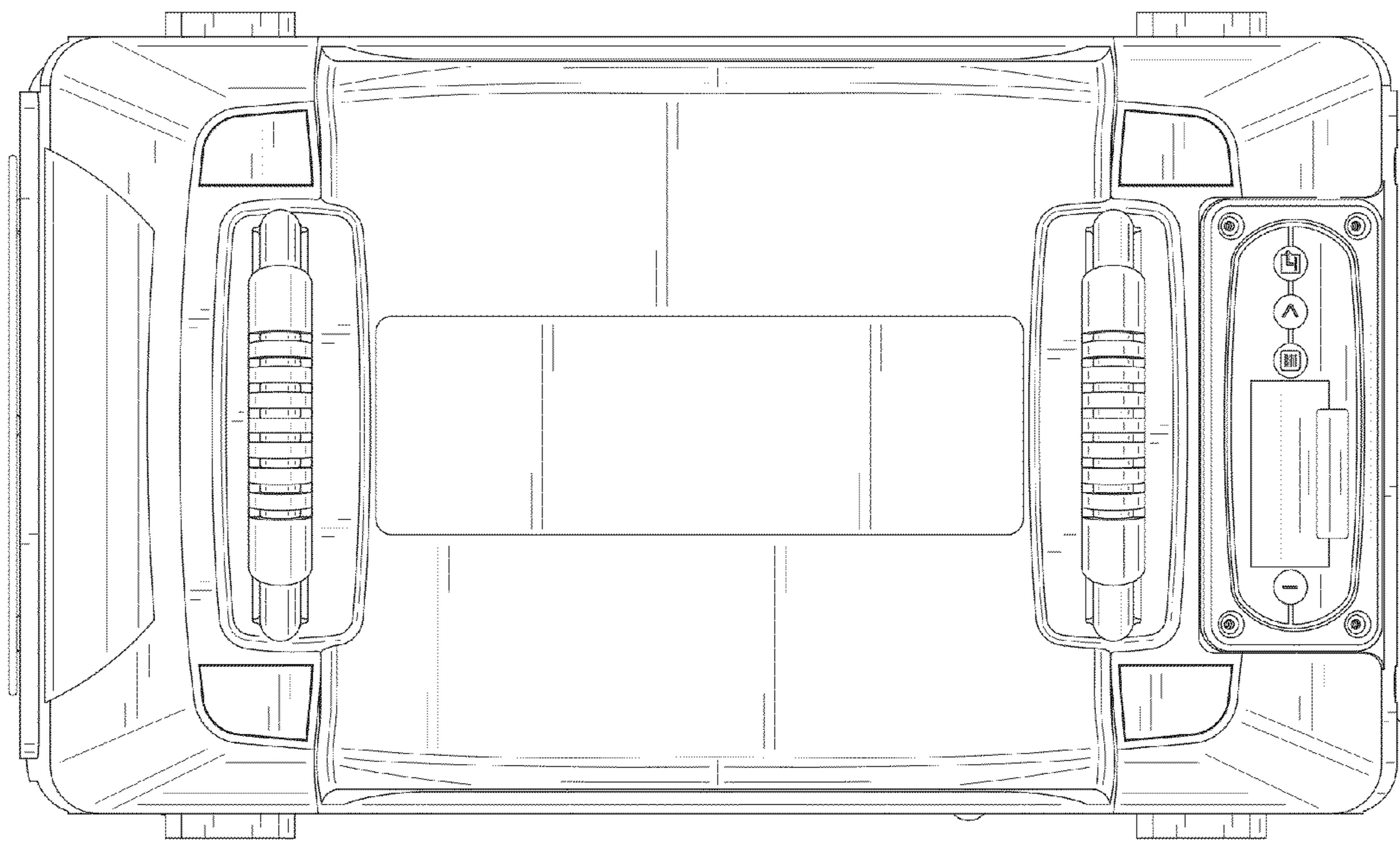


Fig. 6

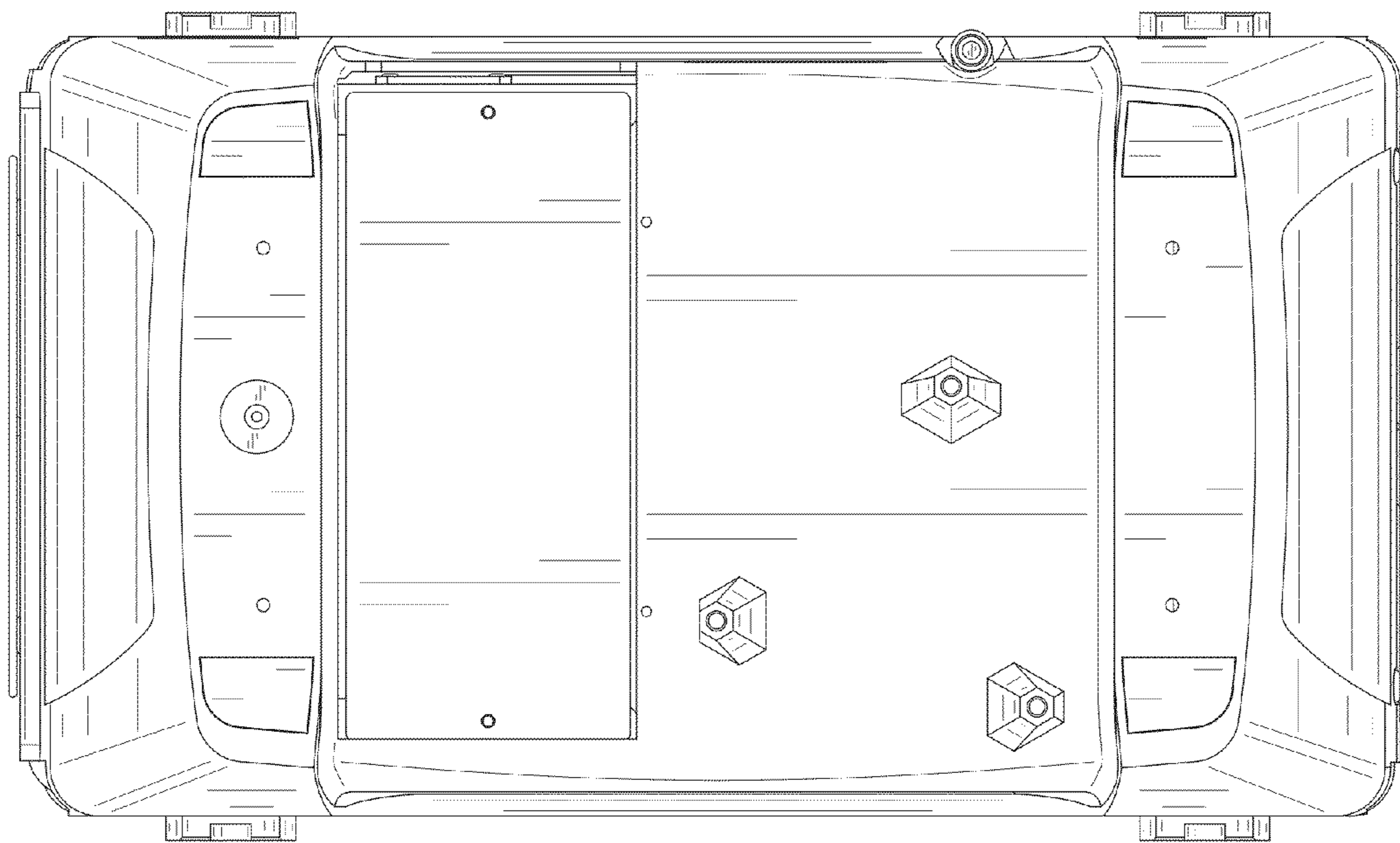


Fig. 7

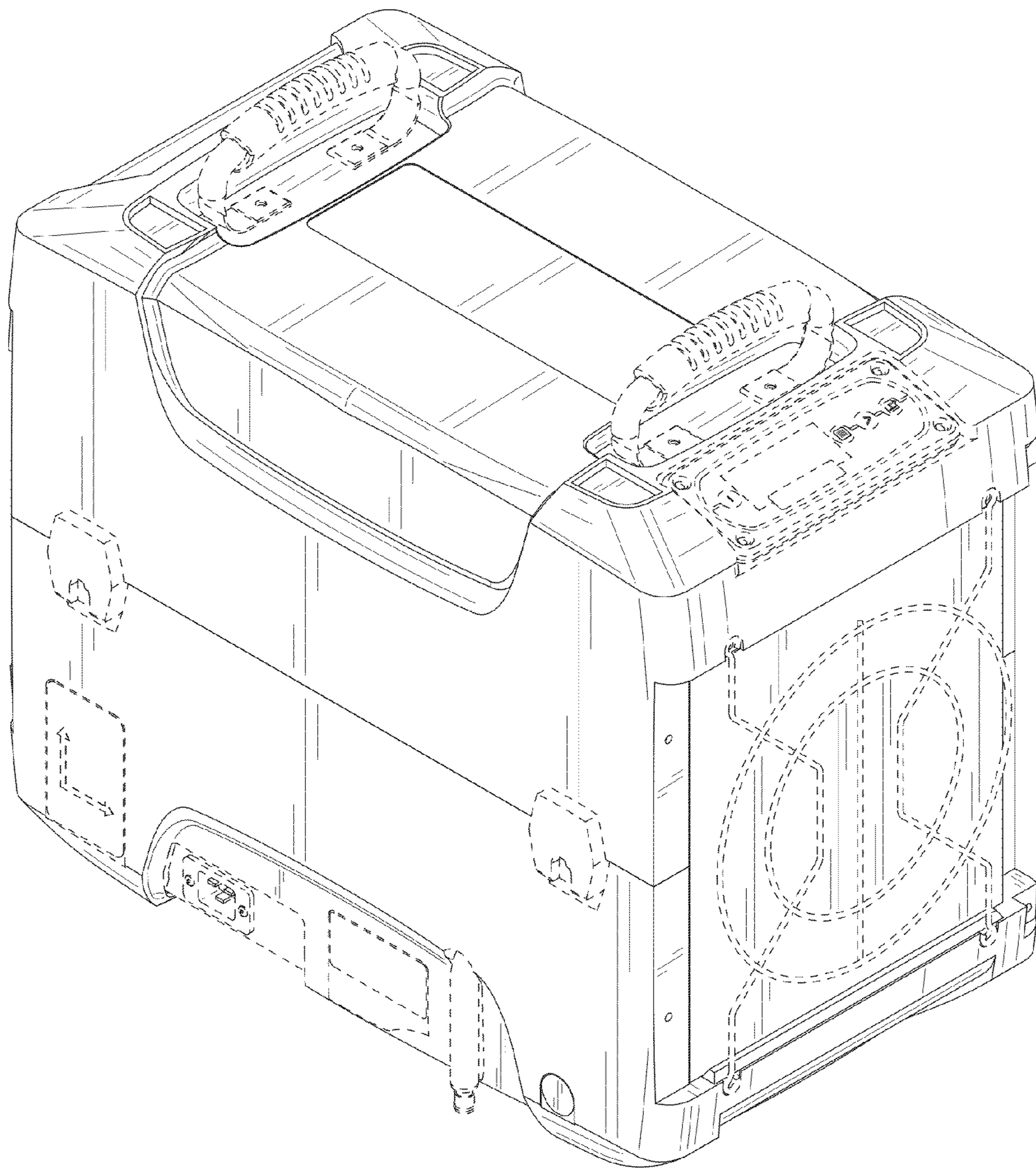


Fig. 8

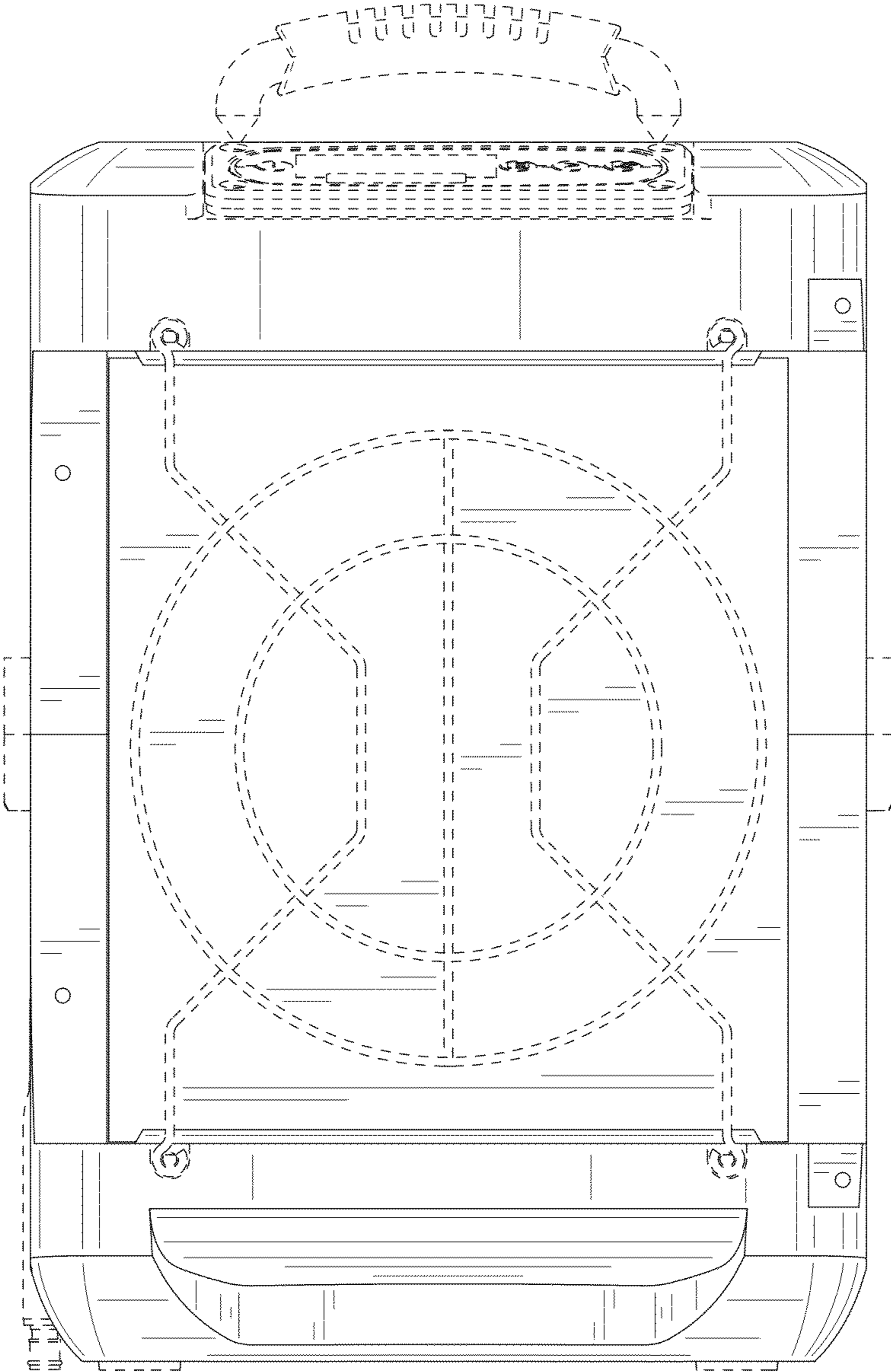


Fig. 9

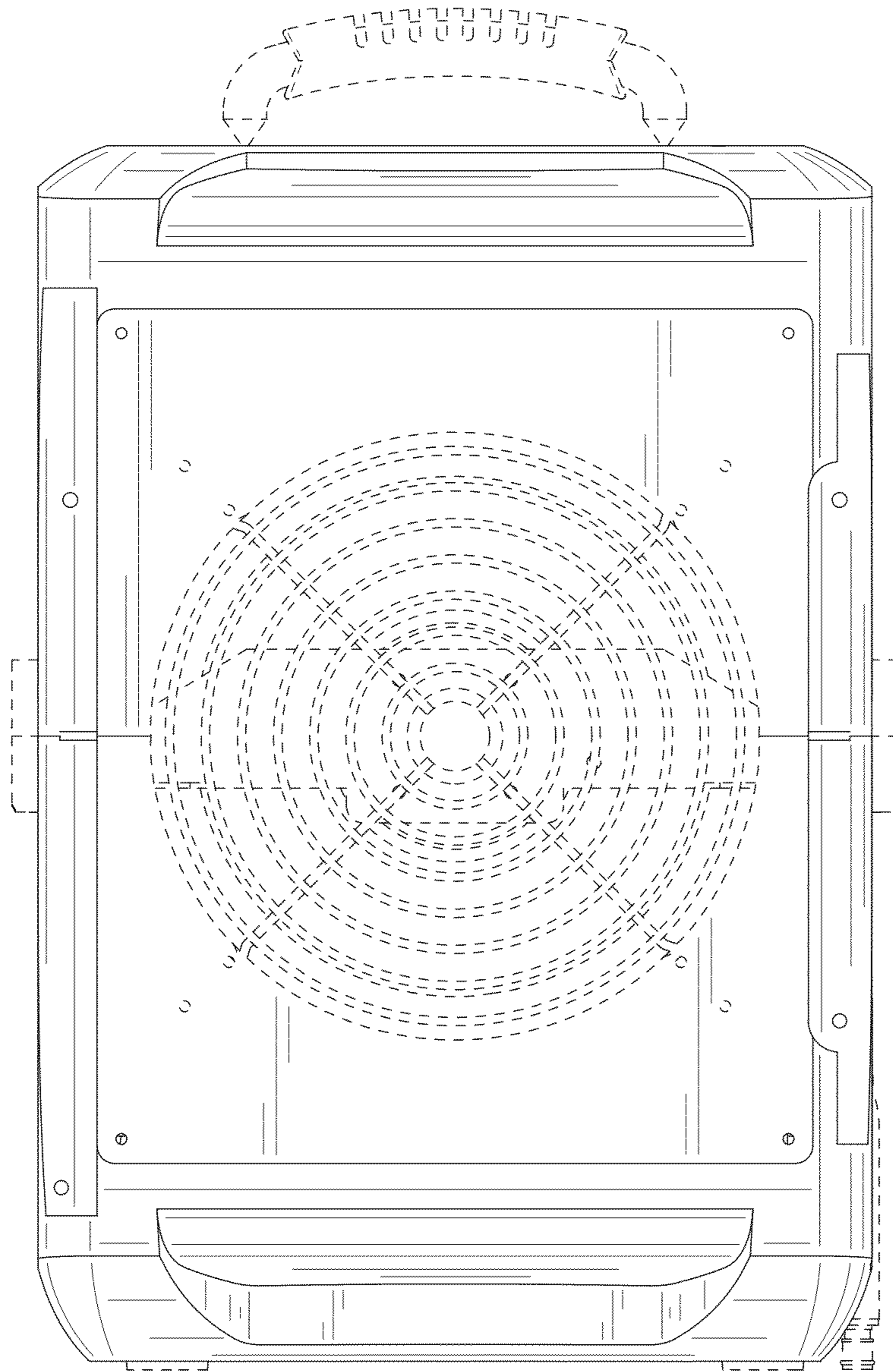


Fig. 10

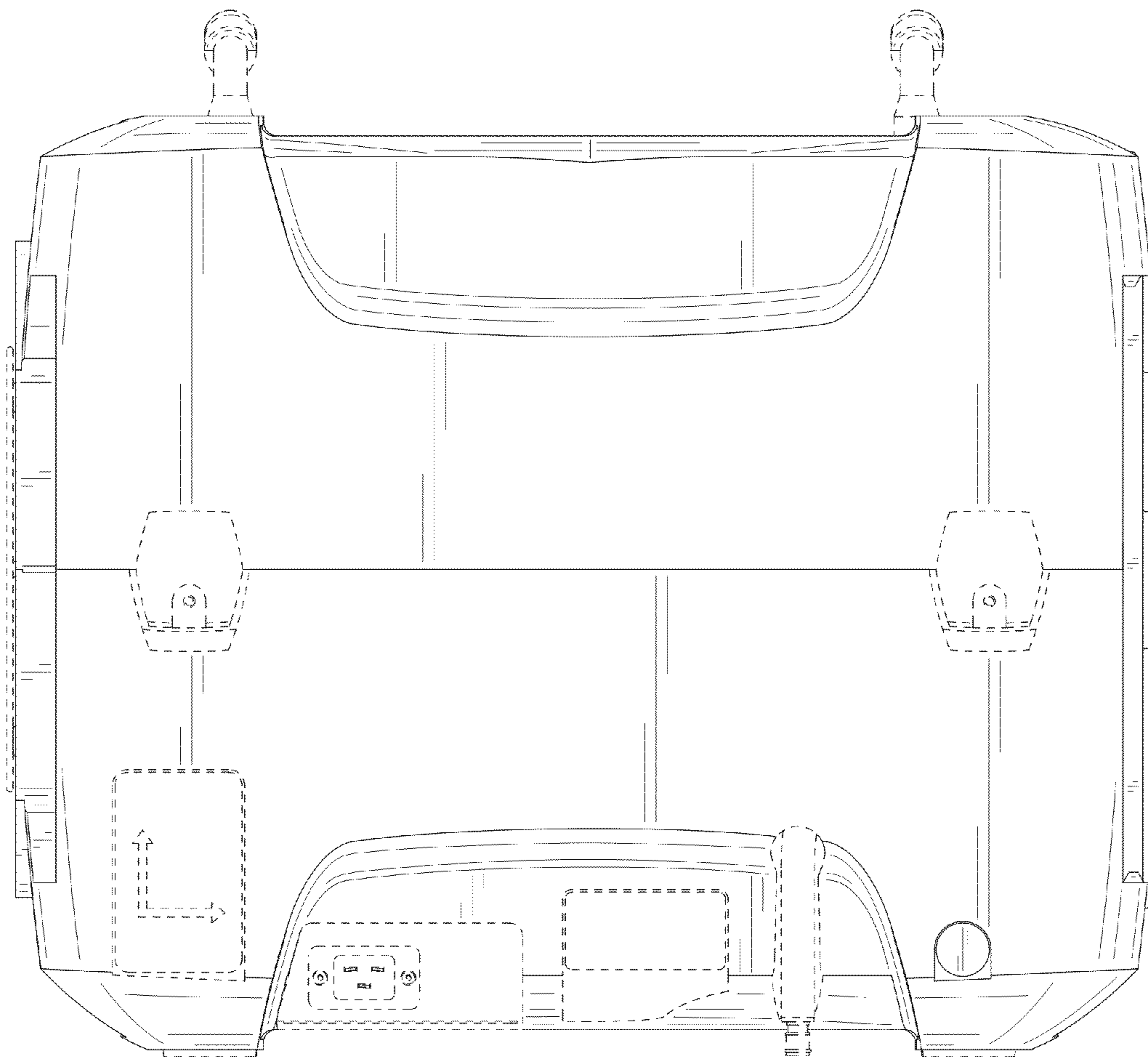


Fig. 11

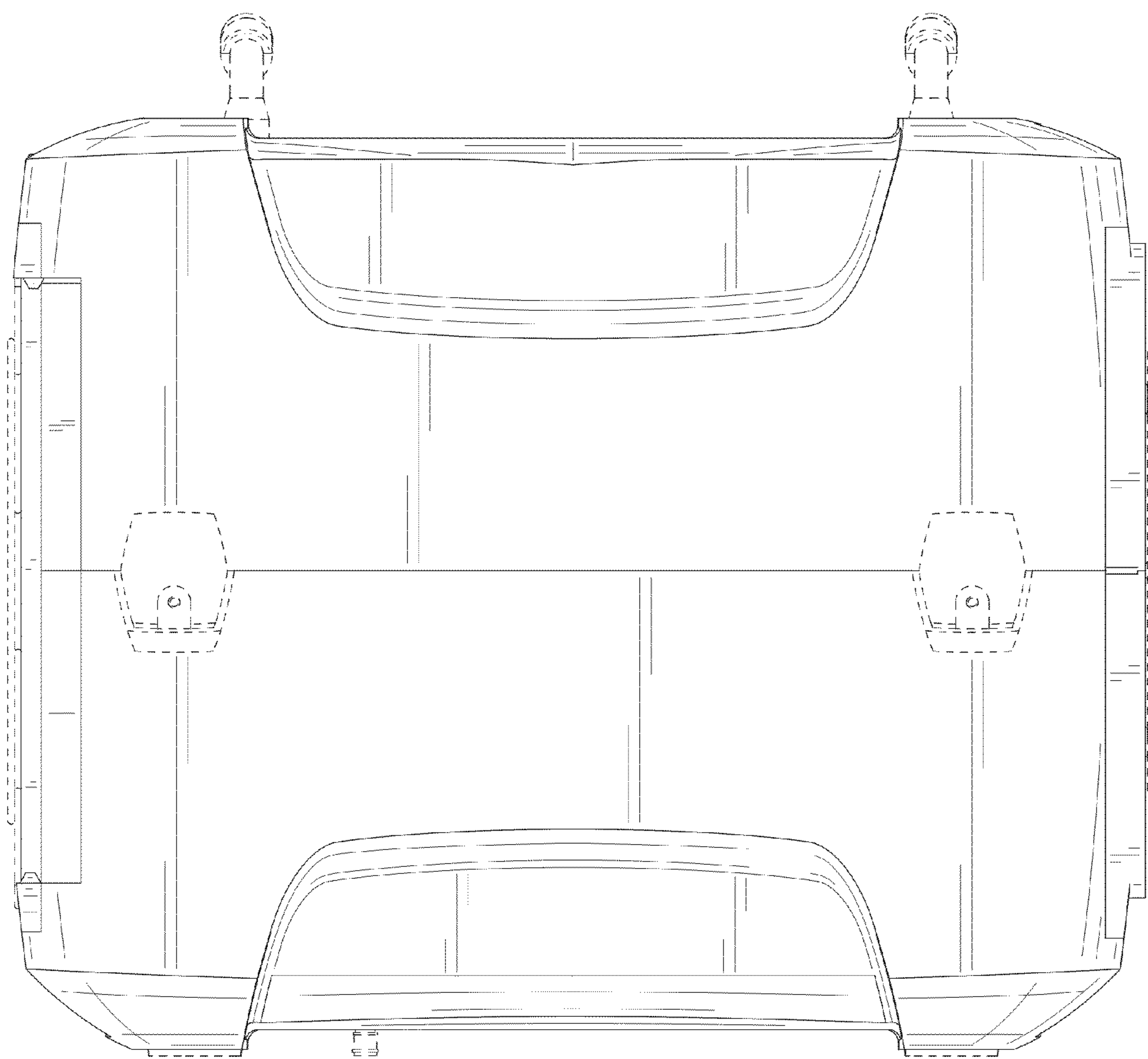


Fig. 12

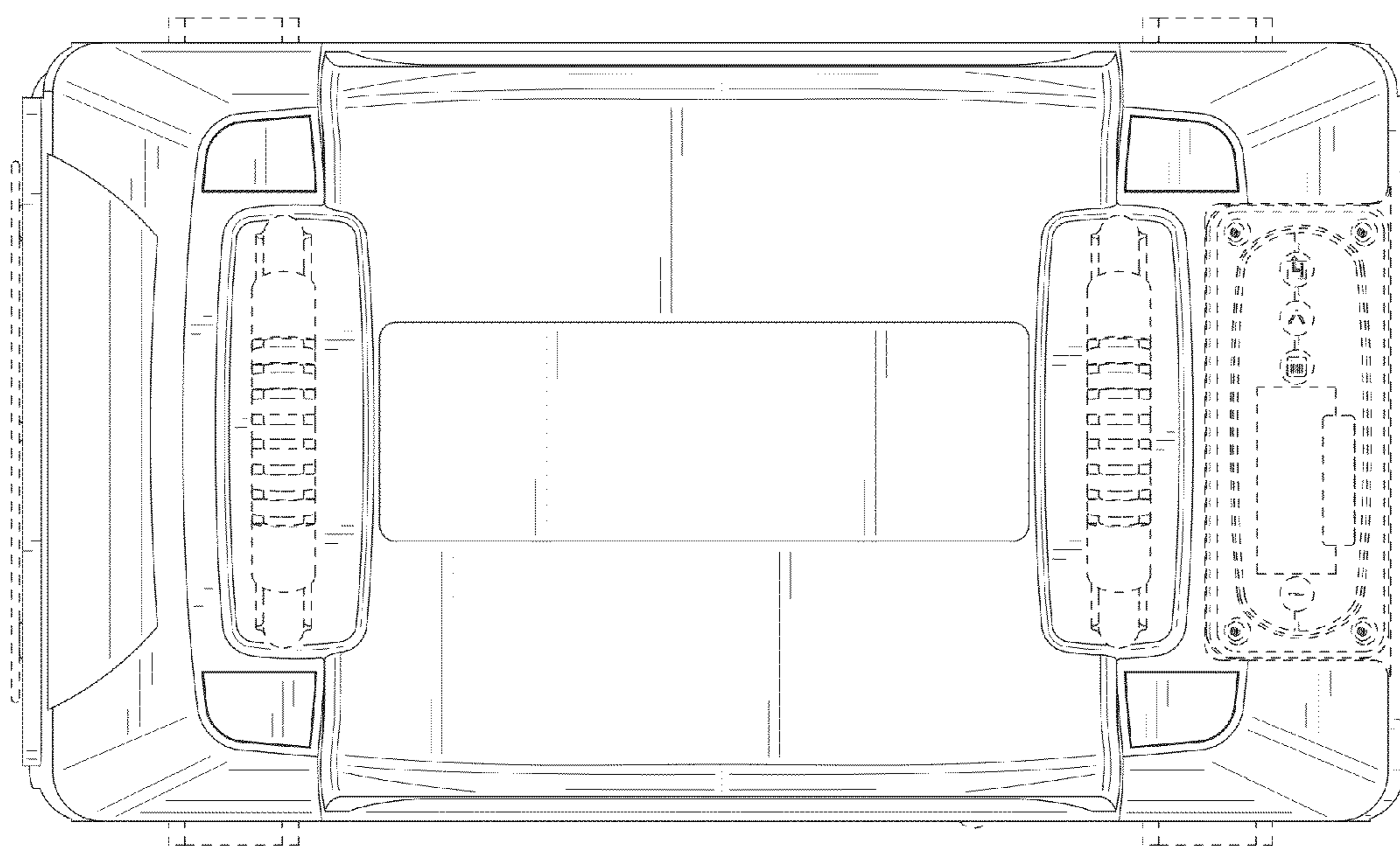


Fig. 13

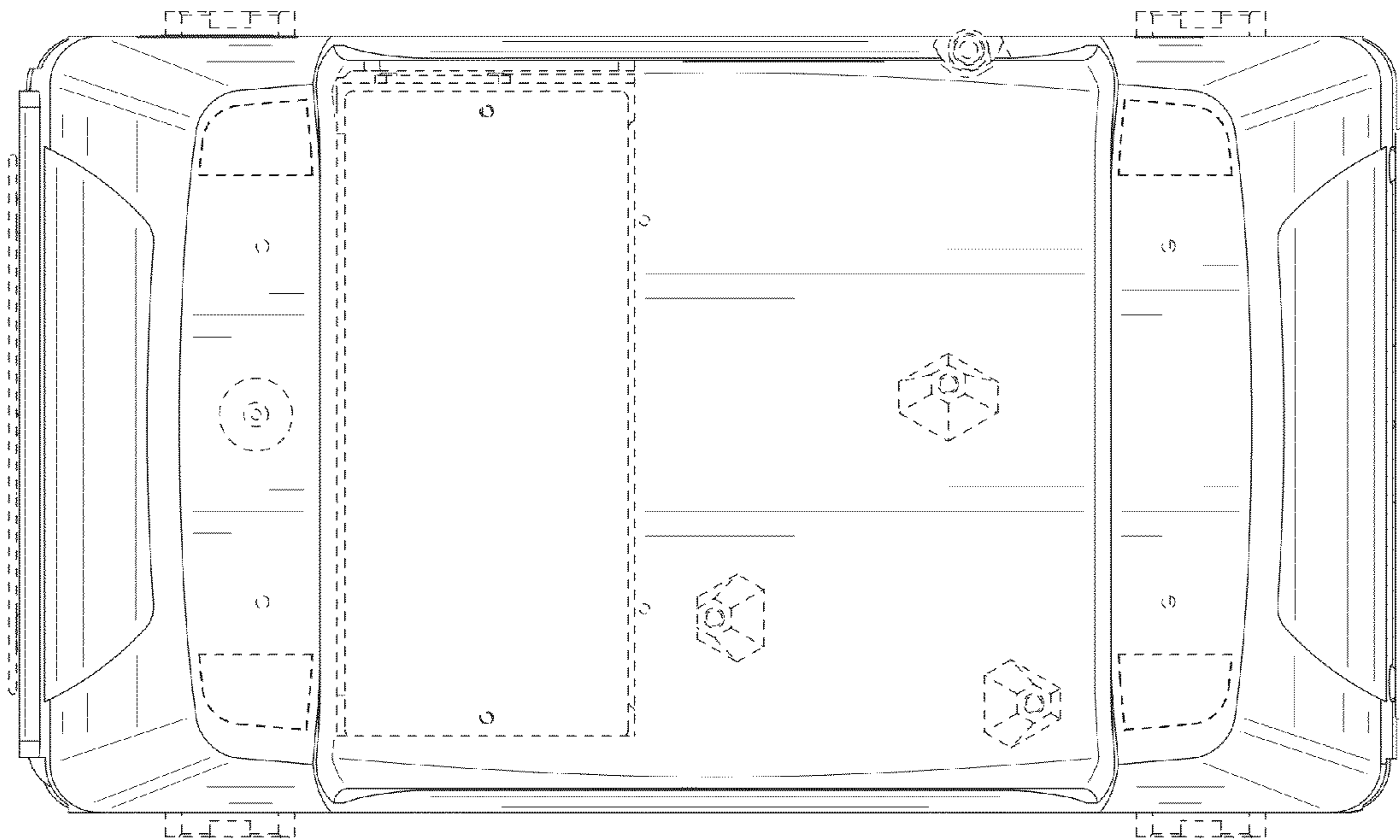


Fig. 14