



US00D731631S

(12) **United States Design Patent**
Derrington et al.

(10) **Patent No.:** **US D731,631 S**
(45) **Date of Patent:** **** Jun. 9, 2015**

(54) **EASY REACH TOILET SEAT**

(56) **References Cited**

(71) Applicants: **Jason Derrington**, Evansville, IN (US);
Coulter Wells, Patoka, IN (US); **Burt Bender**, Chandler, IN (US)

U.S. PATENT DOCUMENTS

D345,008 S * 3/1994 Ahlstrom et al. D23/311
D686,708 S * 7/2013 Khiroya D23/311
8,925,120 B2 * 1/2015 Khiroya 4/237

(72) Inventors: **Jason Derrington**, Evansville, IN (US);
Coulter Wells, Patoka, IN (US); **Burt Bender**, Chandler, IN (US)

* cited by examiner

Primary Examiner — Robert Delehanty

(**) Term: **14 Years**

(74) *Attorney, Agent, or Firm* — Gary K. Price

(21) Appl. No.: **29/508,710**

(57) **CLAIM**

The ornamental design of an easy reach toilet seat, as shown and described.

(22) Filed: **Nov. 10, 2014**

DESCRIPTION

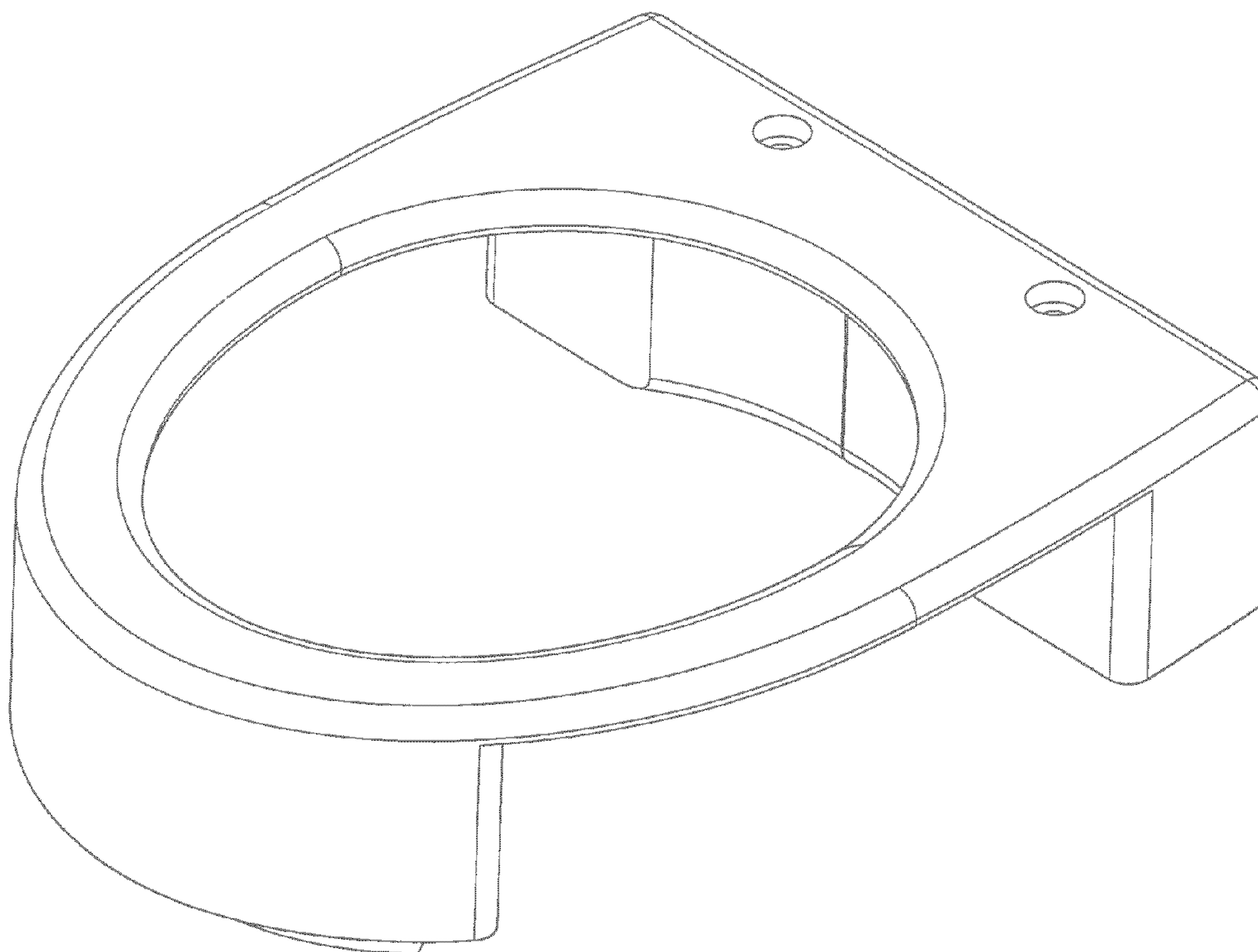
(51) **LOC (10) Cl.** **23-02**

(52) **U.S. Cl.**
USPC **D23/311**

(58) **Field of Classification Search**
USPC D23/303, 311
CPC A47K 13/00; A47K 13/005
See application file for complete search history.

FIG. 1 is a top perspective left side view of a easy reach toilet seat showing our new design;
FIG. 2 is a top perspective right side view thereof;
FIG. 3 is a bottom left side view thereof; and,
FIG. 4 is a bottom right side view thereof.

1 Claim, 4 Drawing Sheets



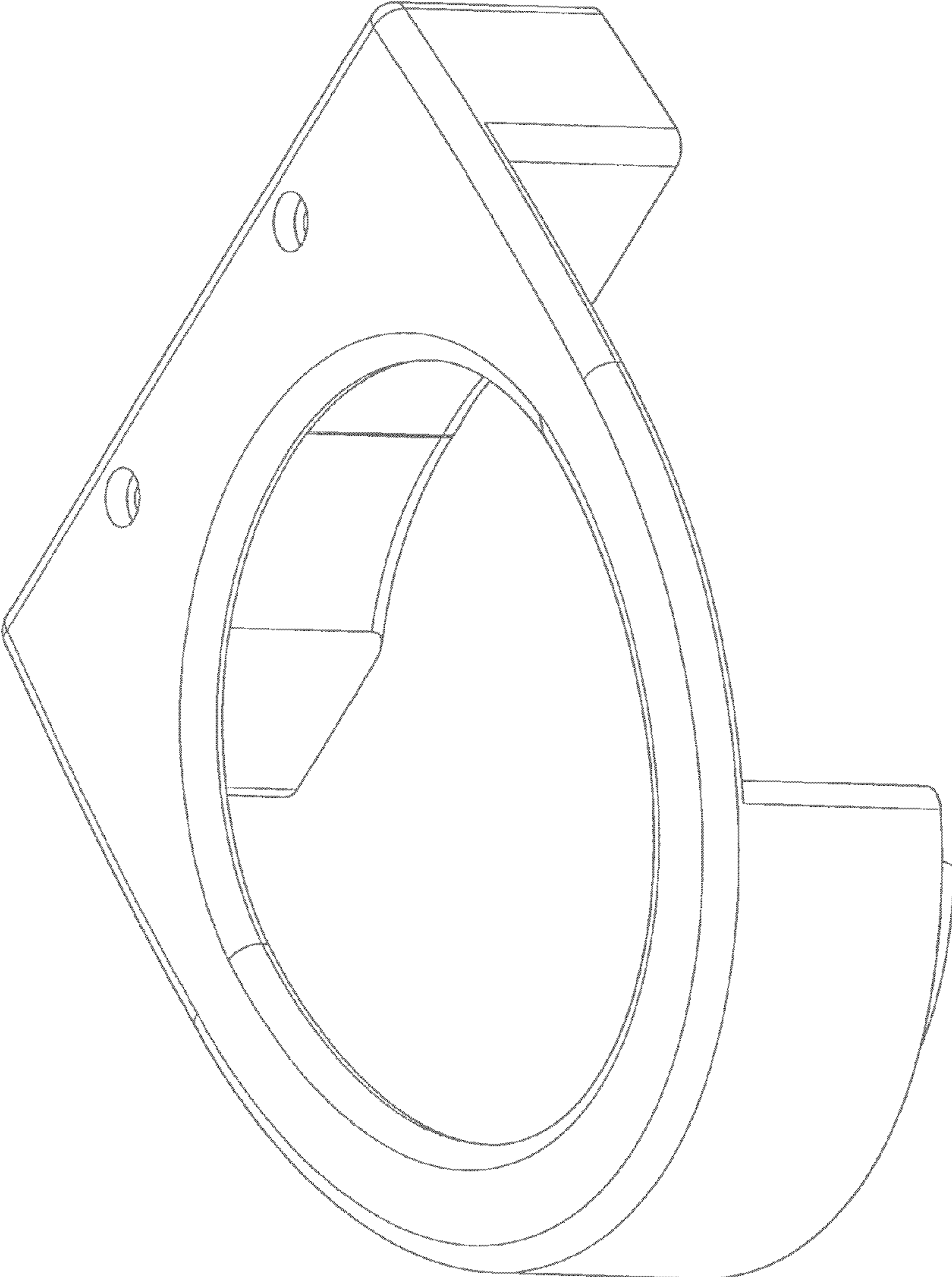


Figure 1

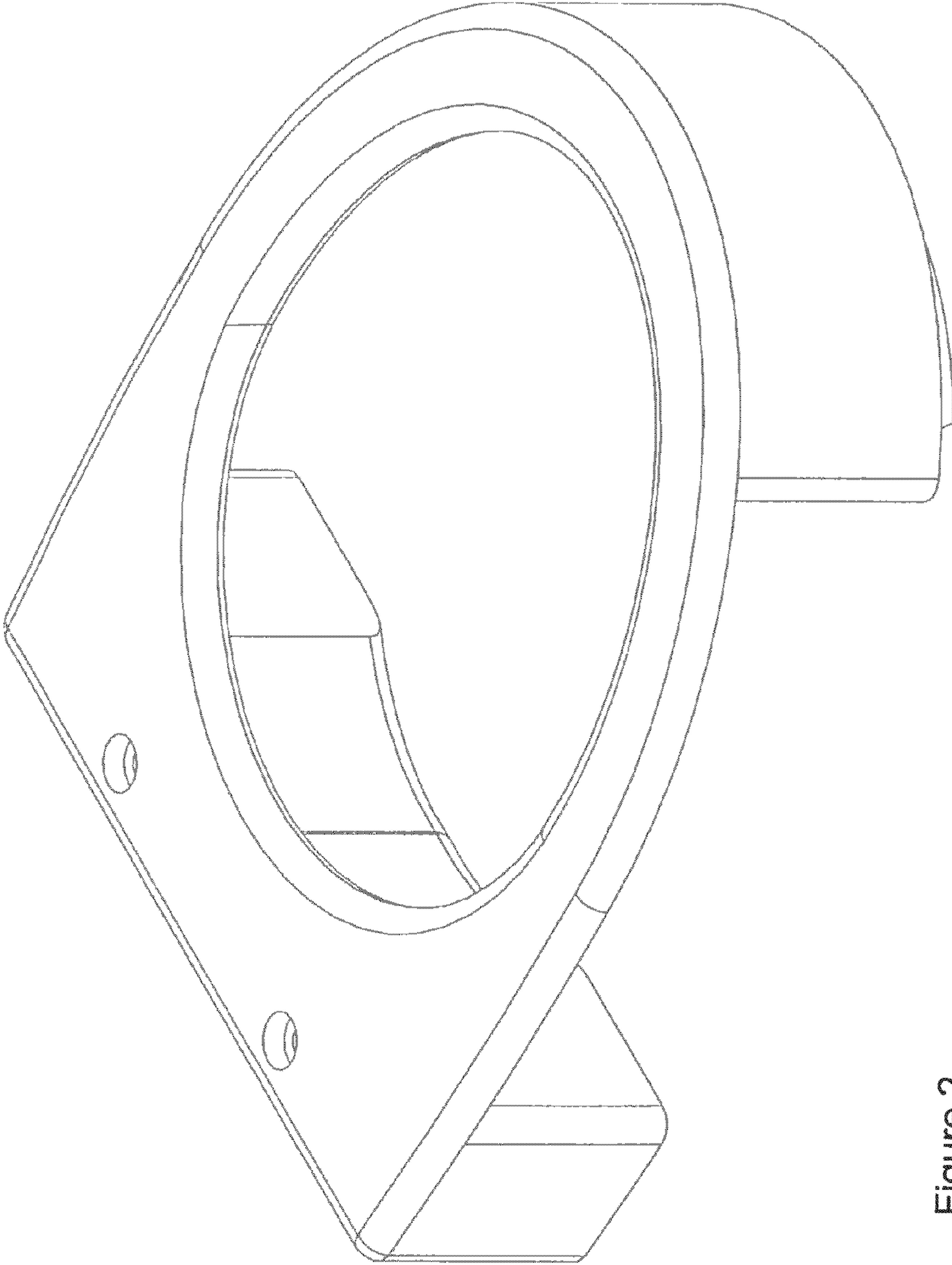
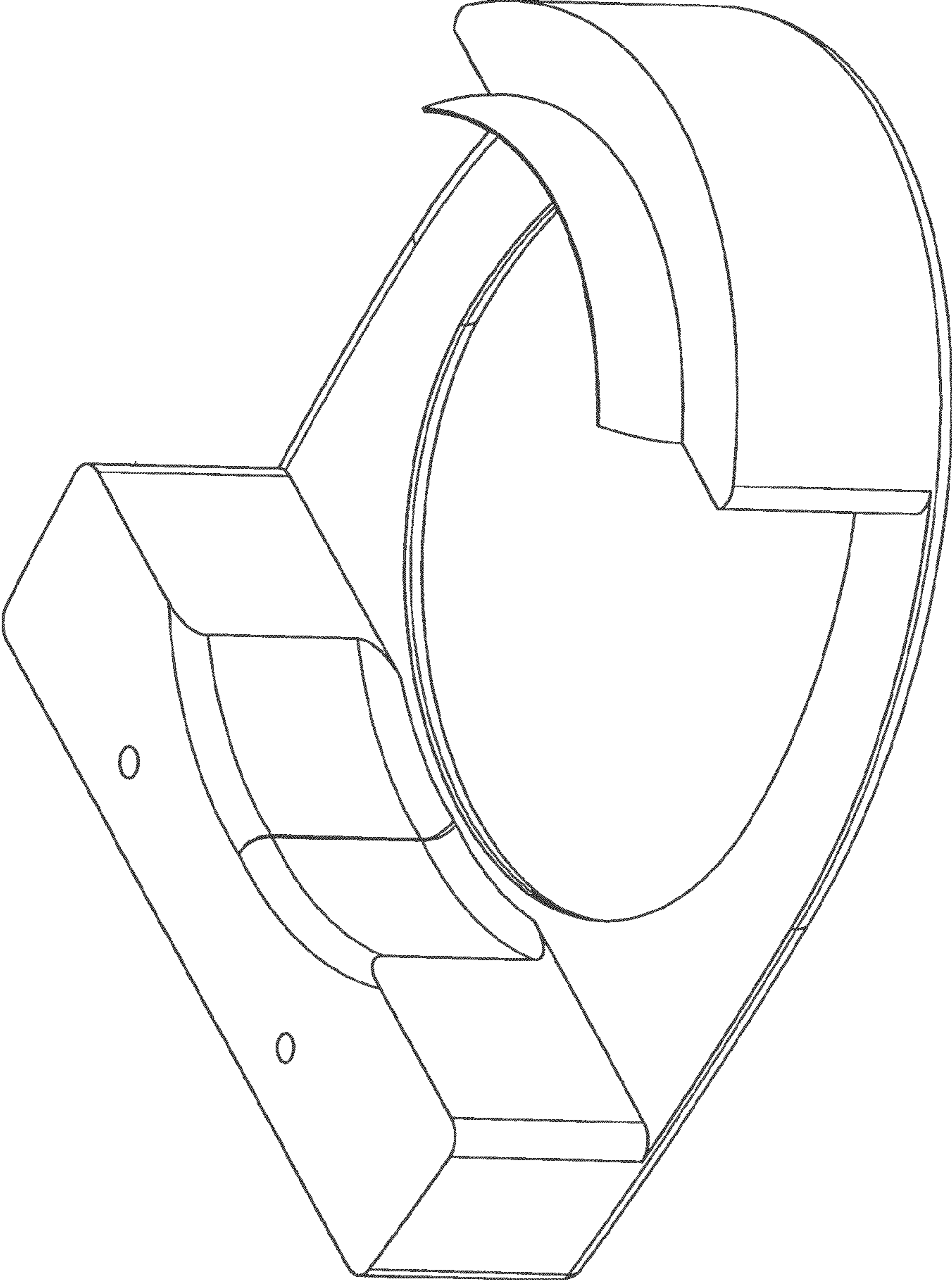


Figure 2

Figure 3



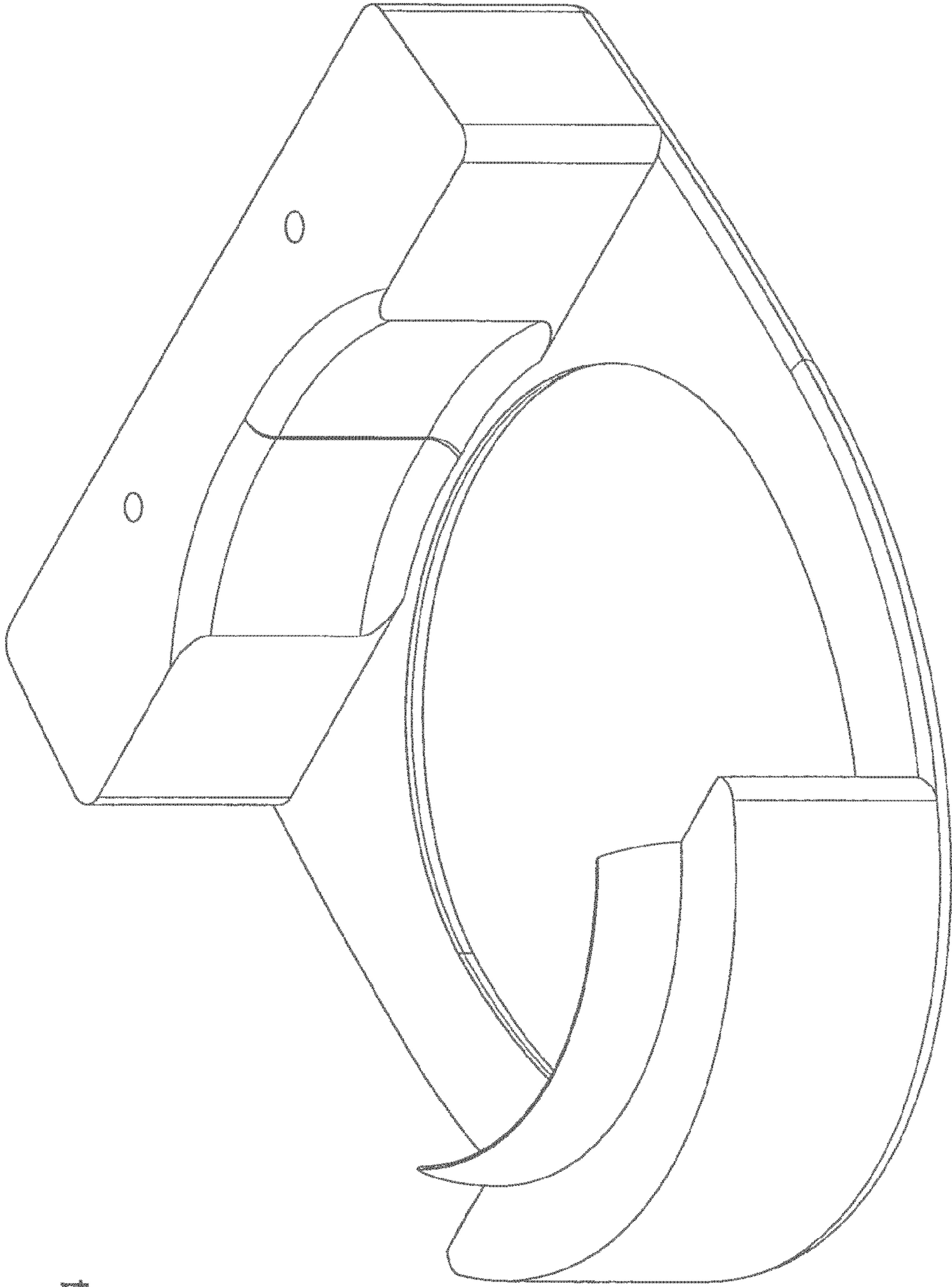


Figure 4