



US00D731629S

(12) **United States Design Patent**
Sclafani

(10) **Patent No.:** **US D731,629 S**
(45) **Date of Patent:** **** Jun. 9, 2015**

(54) **SYSTEM OF HAIR WASHING SINKS**

(71) Applicant: **Janene Sclafani**, Fort Lauderdale, FL
(US)

(72) Inventor: **Janene Sclafani**, Fort Lauderdale, FL
(US)

(**) Term: **14 Years**

(21) Appl. No.: **29/500,068**

(22) Filed: **Aug. 21, 2014**

Related U.S. Application Data

(62) Division of application No. 13/403,737, filed on Feb. 23, 2012, now Pat. No. 8,839,467.

(51) **LOC (10) Cl.** **23-02**

(52) **U.S. Cl.**
USPC **D23/289**; D23/308

(58) **Field of Classification Search**
USPC D23/271, 284, 289, 291–293.1, 303,
D23/308, 290; 4/515, 517, 518–523,
4/639–643; D28/20
CPC A45D 19/14; A45D 19/10; A45D 19/04;
A45D 19/08; A45D 19/06
See application file for complete search history.

(56) **References Cited**

U.S. PATENT DOCUMENTS

906,410	A *	12/1908	Greene	4/520
4,327,452	A *	5/1982	Swatzell	4/523
4,998,302	A *	3/1991	Silva	4/516
5,177,820	A *	1/1993	Varallo	4/523
6,665,891	B1 *	12/2003	Clifford	4/516
7,039,963	B2 *	5/2006	Loberger et al.	D23/290
D582,528	S *	12/2008	Galloob	D23/290
8,839,467	B2 *	9/2014	Sclafani	4/514

* cited by examiner

Primary Examiner — Robert Delehanty

(74) *Attorney, Agent, or Firm* — The Concept Law Group, P.A.; Scott D. Smiley; Yongae Jun

(57) **CLAIM**

The ornamental design for a system of hair washing sinks, as shown and described.

DESCRIPTION

FIG. 1 is a perspective downward-looking view of a first exemplary embodiment of system of hair washing sinks in accordance with the present invention;

FIG. 2 is an elevational front view of the system of hair washing sinks of FIG. 1;

FIG. 3 is an elevational rear view of the system of hair washing sinks of FIG. 1;

FIG. 4 is an elevational left-side view of the system of hair washing sinks of FIG. 1;

FIG. 5 is an elevational right-side view of the system of hair washing sinks of FIG. 1;

FIG. 6 is a top view of the system of hair washing sinks of FIG. 1;

FIG. 7 is a bottom view of the system of hair washing sinks of FIG. 1;

FIG. 8 is a perspective downward-looking view of a second exemplary embodiment of a system of hair washing sinks, illustrating that the system of hair washing sinks may include any number of additional identical hair washing sinks between the broken lines, in accordance with the present invention;

FIG. 9 is an elevational front view of the system of hair washing sinks of FIG. 8;

FIG. 10 is an elevational rear view of the system of hair washing sinks of FIG. 8;

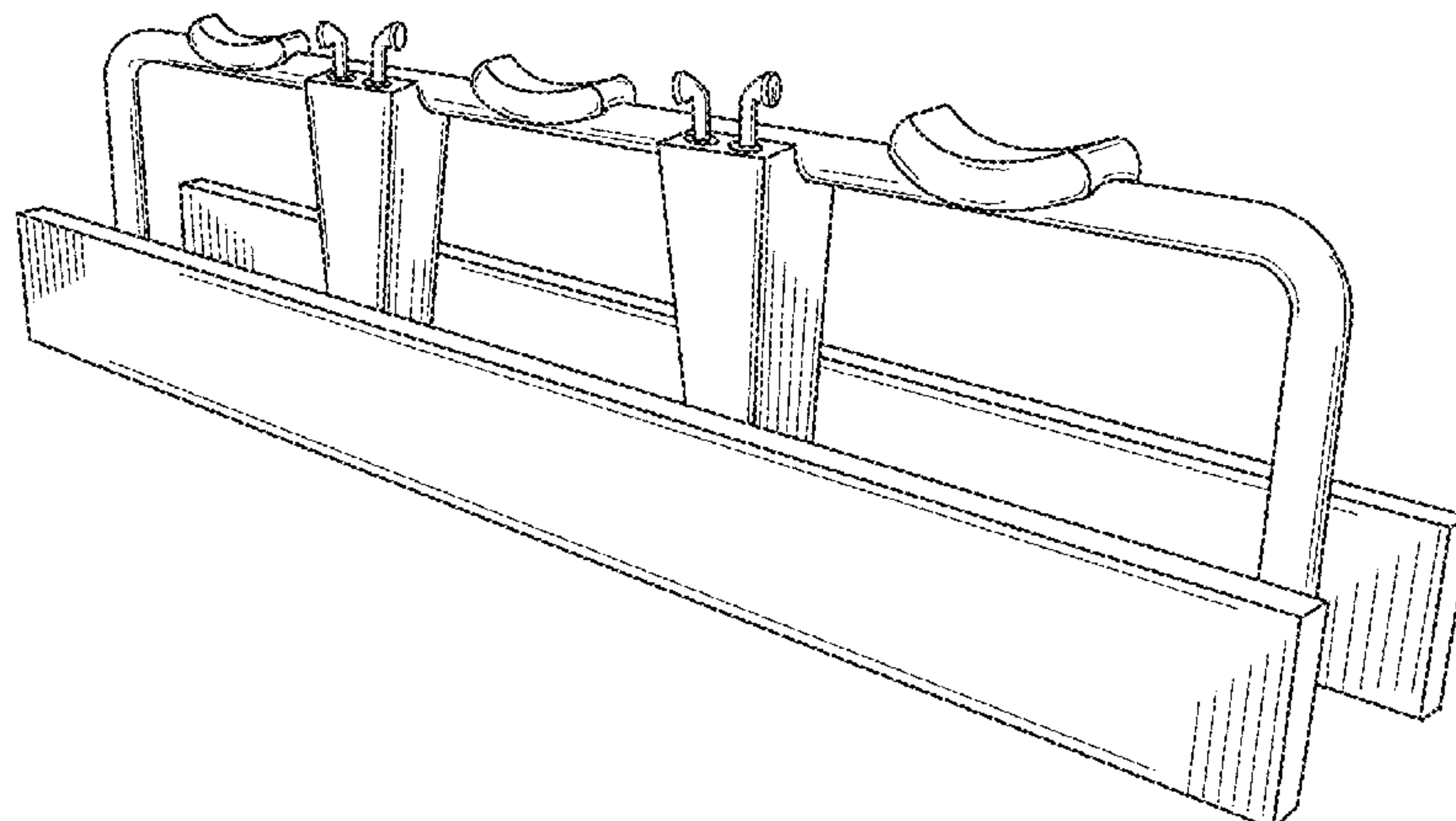
FIG. 11 is a top view of the system of hair washing sinks of FIG. 8; and,

FIG. 12 is a bottom view of the system of hair washing sinks of FIG. 8.

The left and right elevational views of the second embodiment of the system of hair washing sinks is identical to the left and right elevational views of the first embodiment of the system for hair washing sinks.

The broken lines in the drawings represent environment and boundaries of the system of hair washing sinks and form no part of the claimed design.

1 Claim, 7 Drawing Sheets



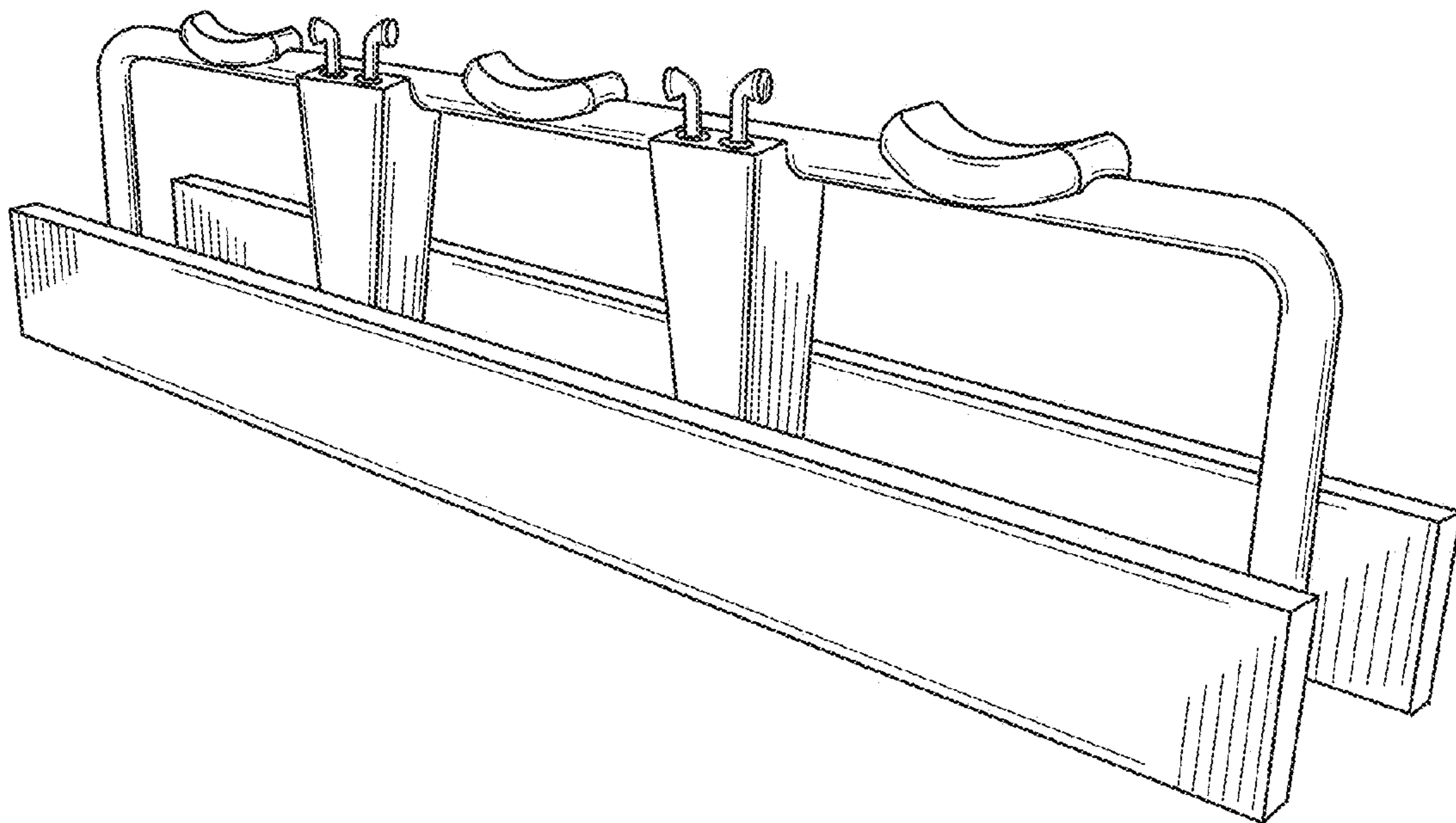


FIG. 1

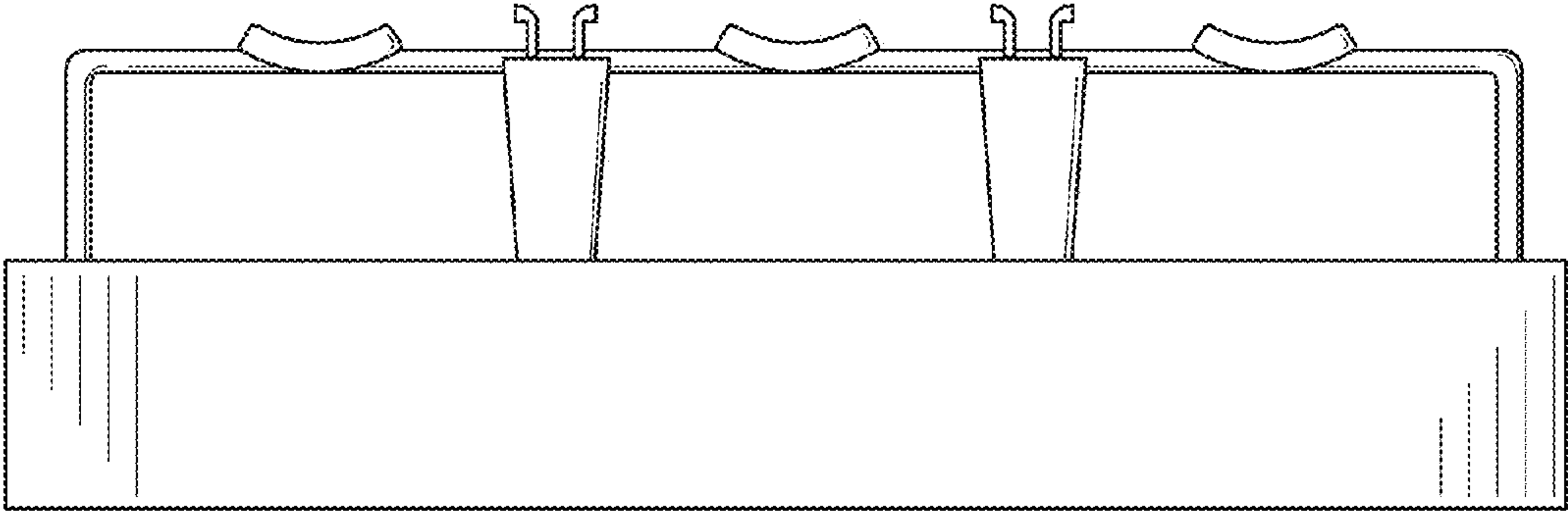


FIG. 2

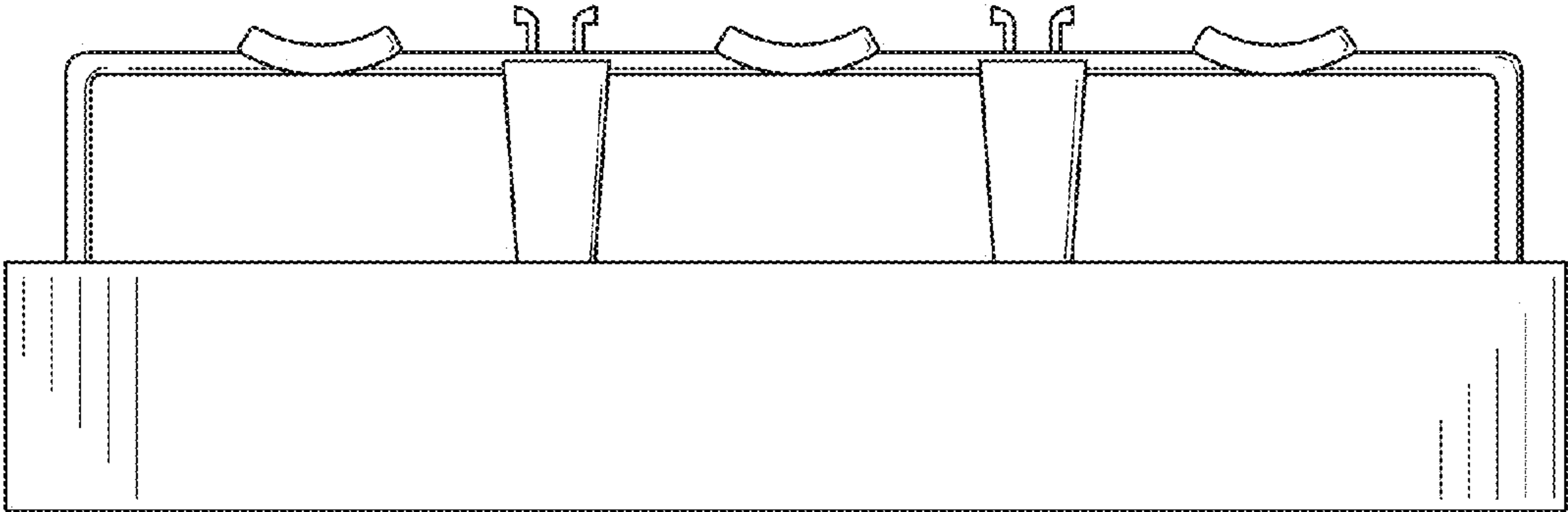


FIG. 3

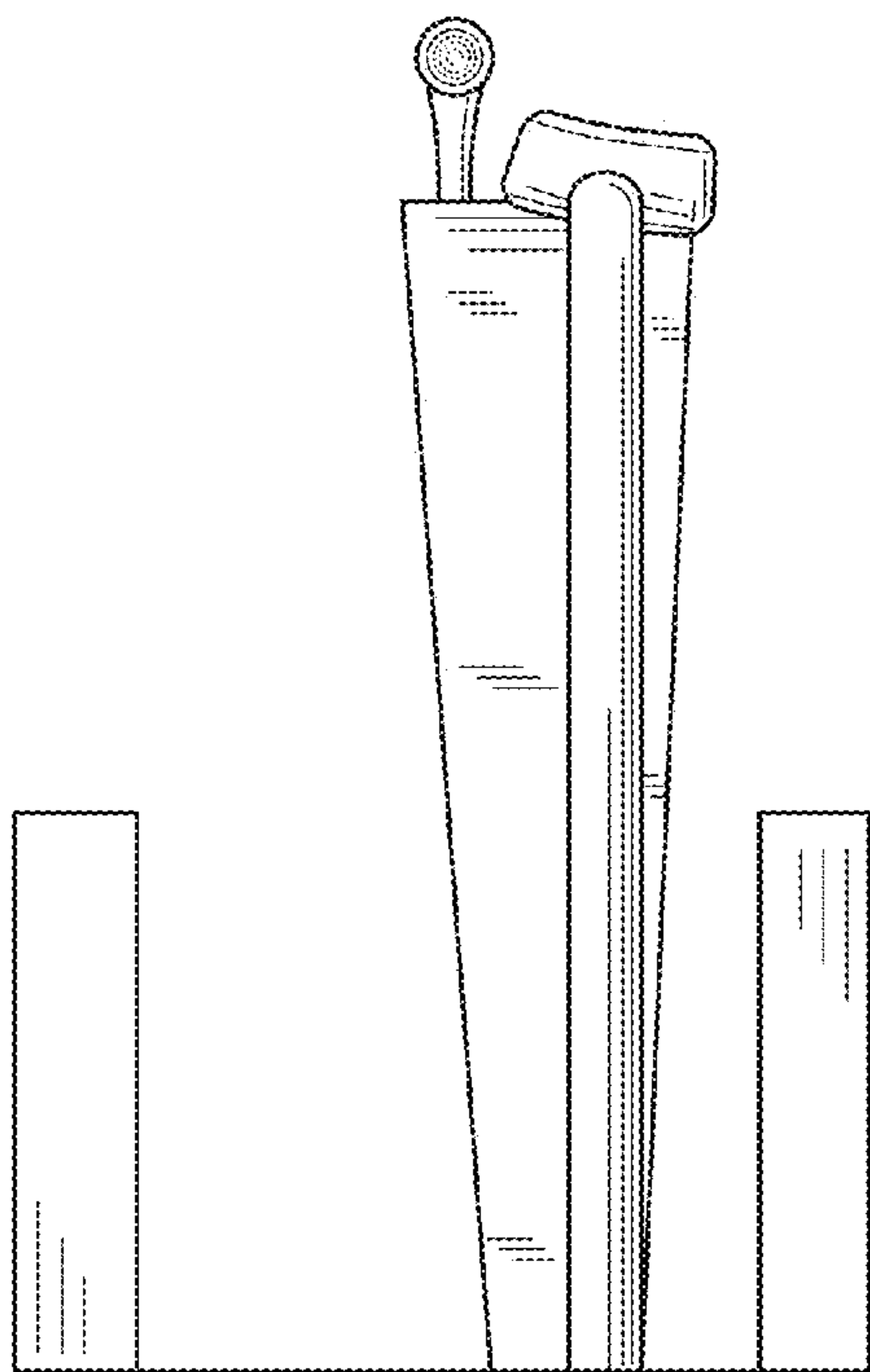


FIG. 4

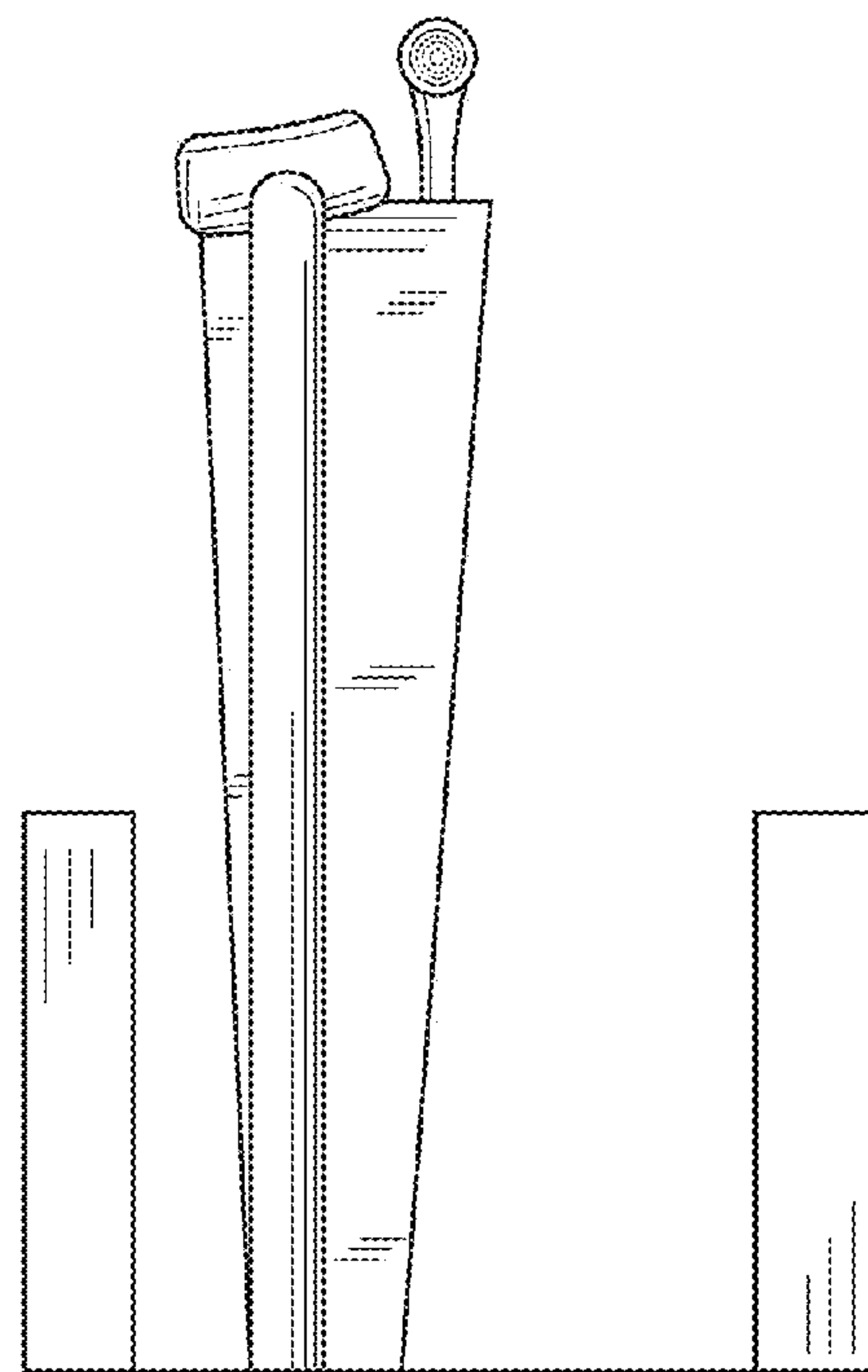


FIG. 5

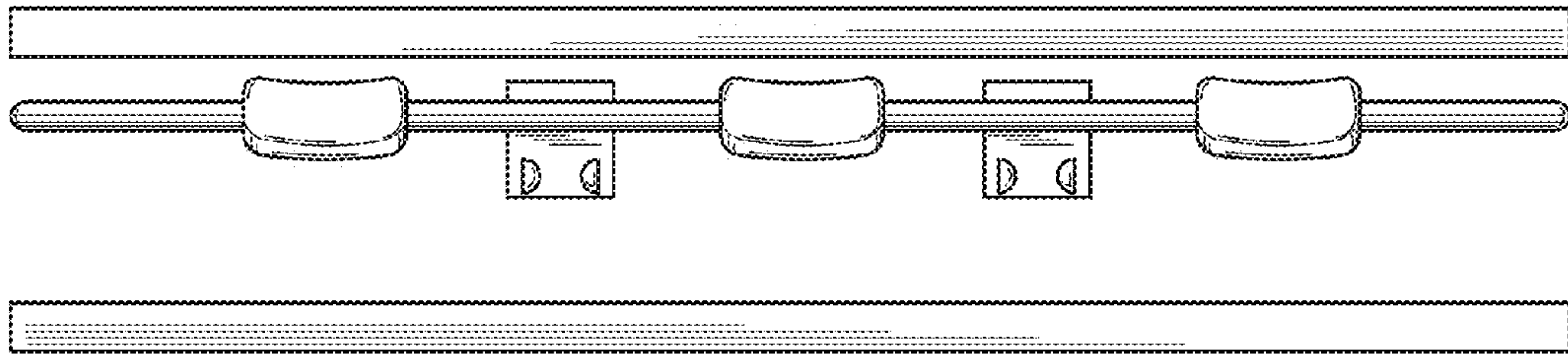


FIG. 6

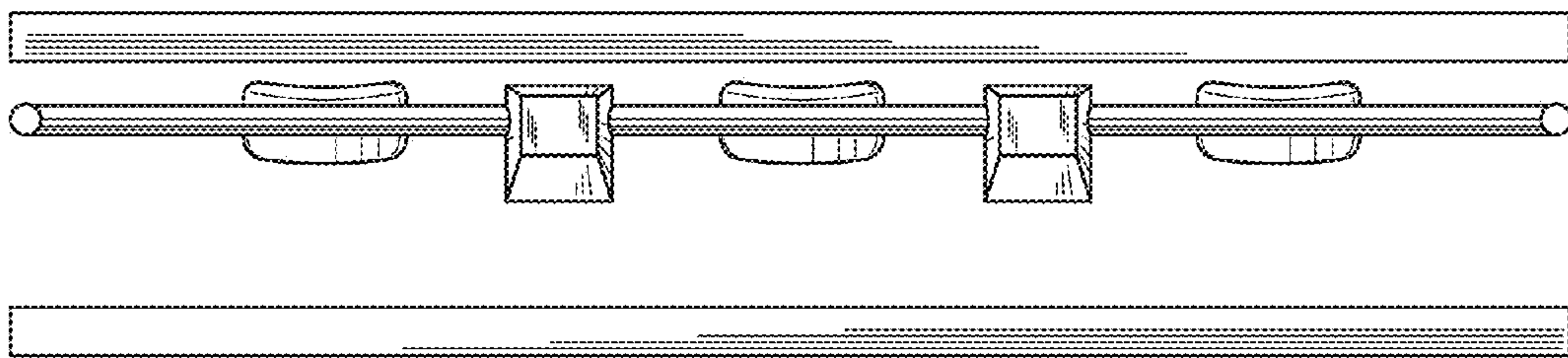


FIG. 7

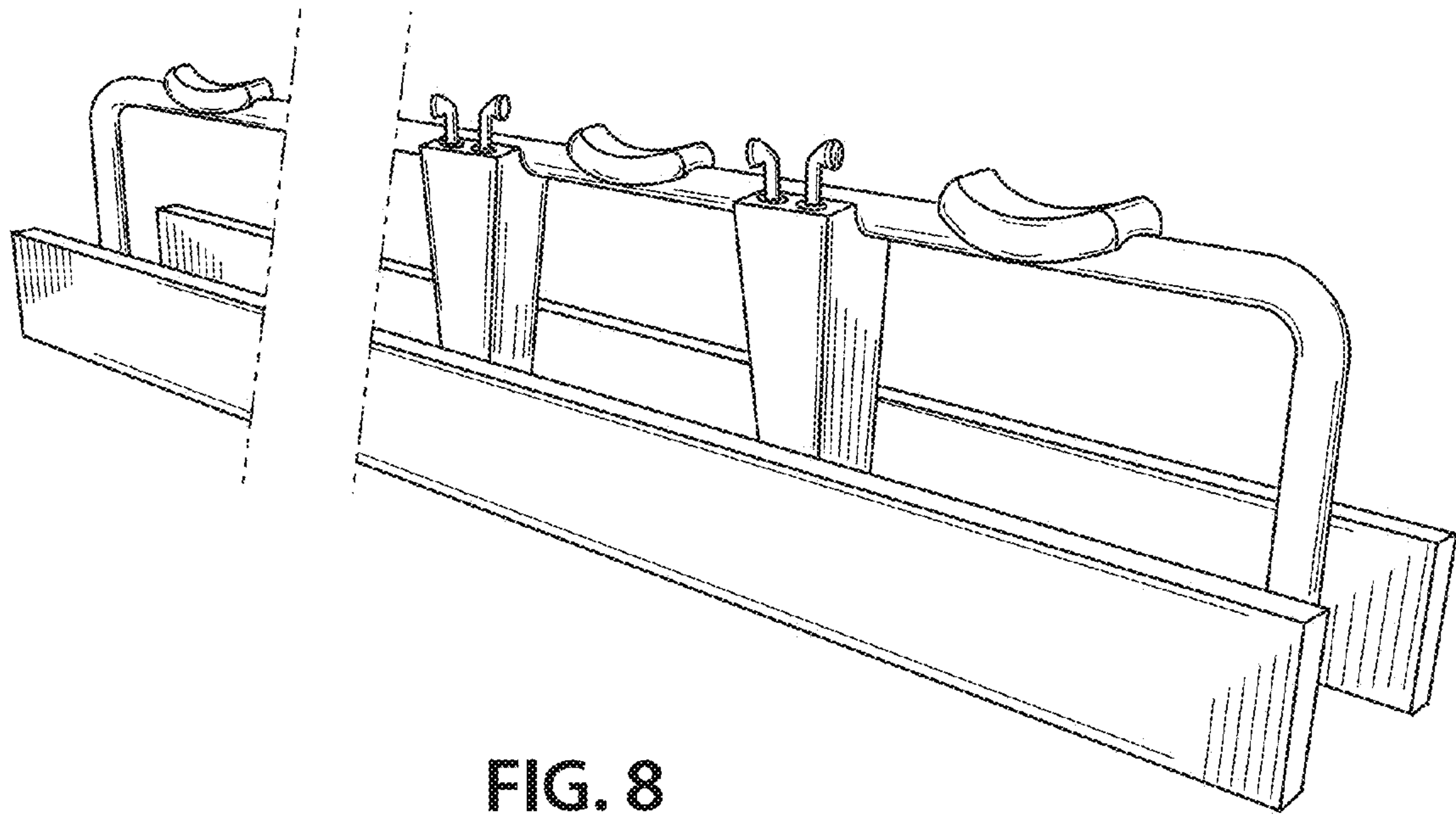


FIG. 8

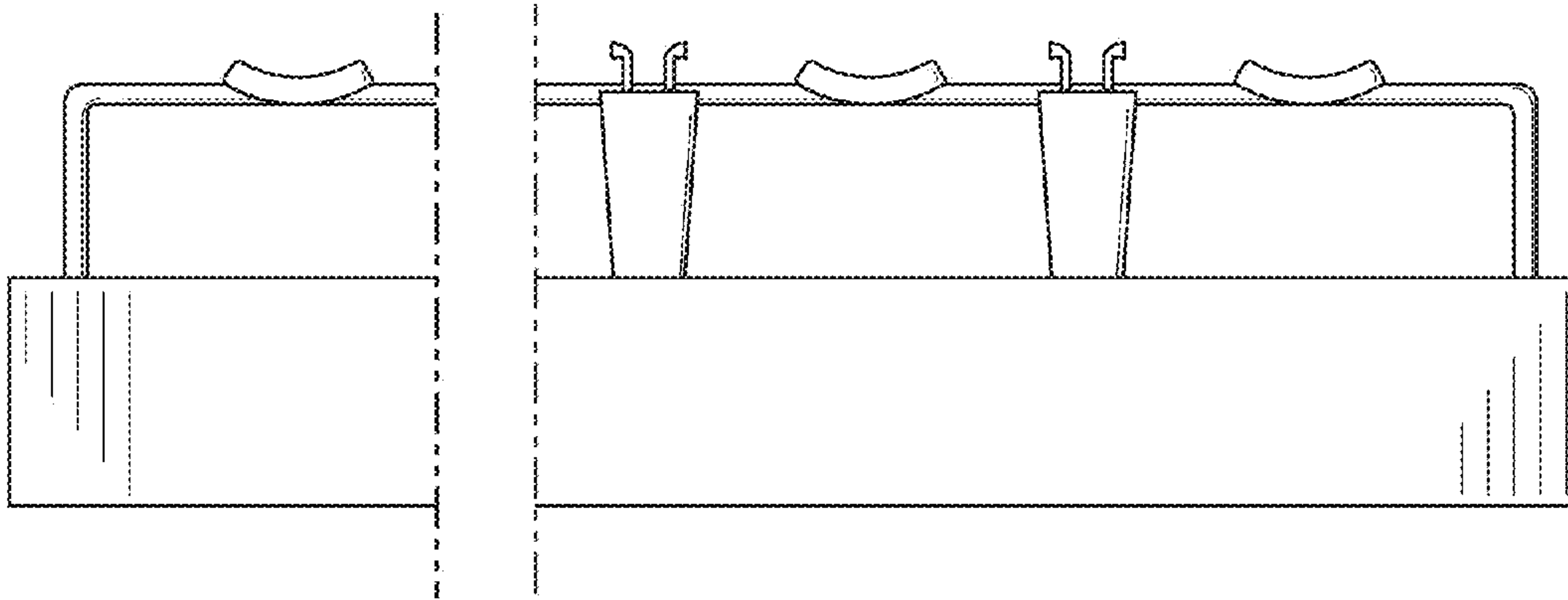


FIG. 9

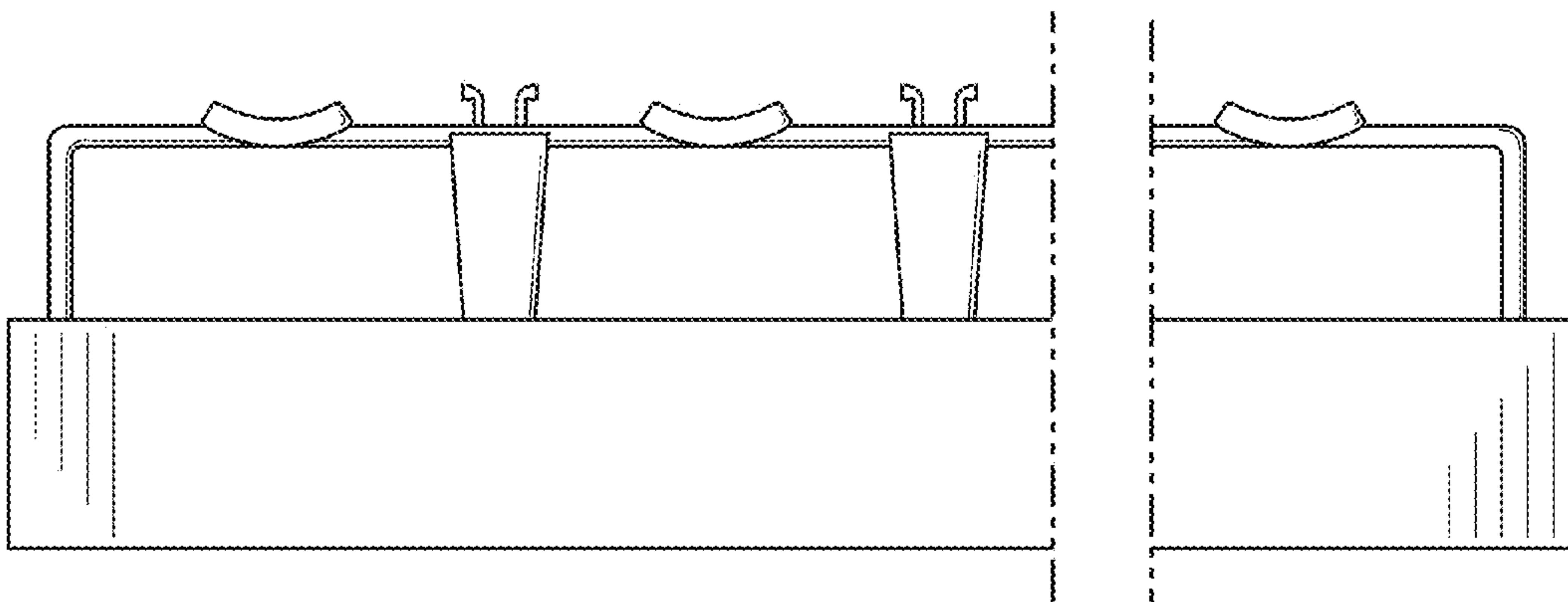


FIG. 10

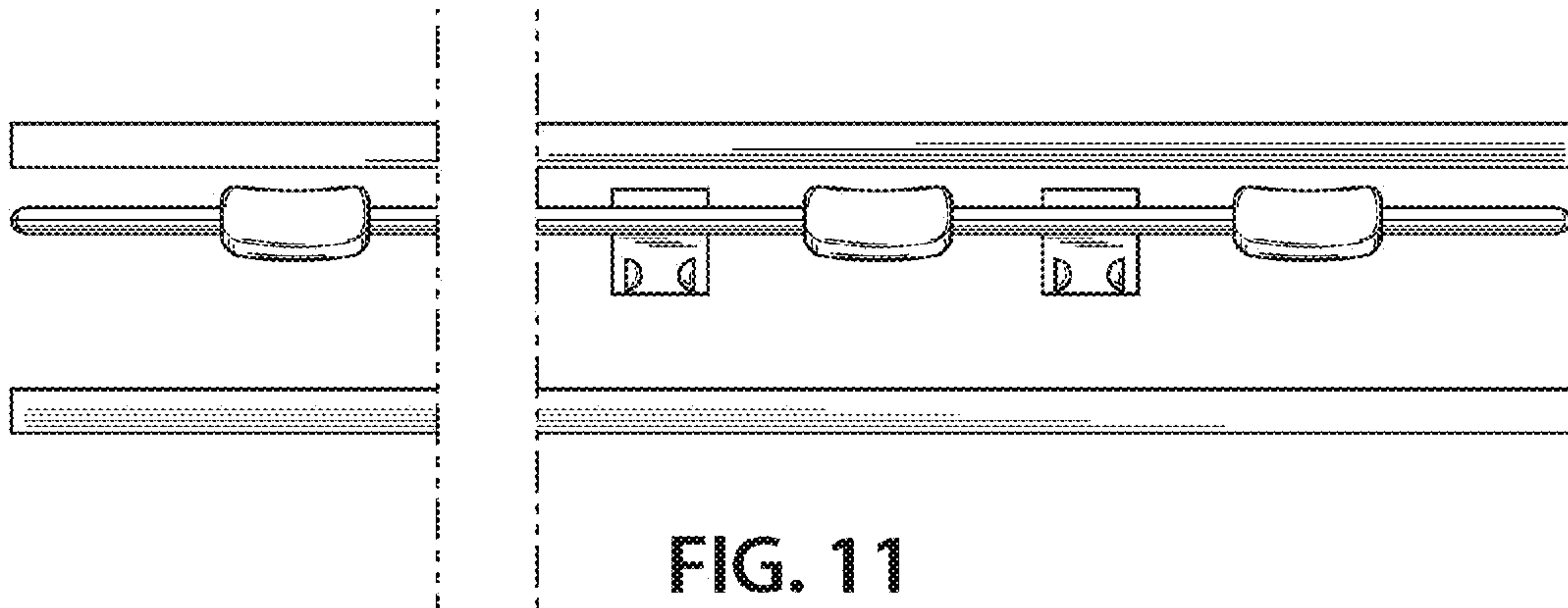


FIG. 11

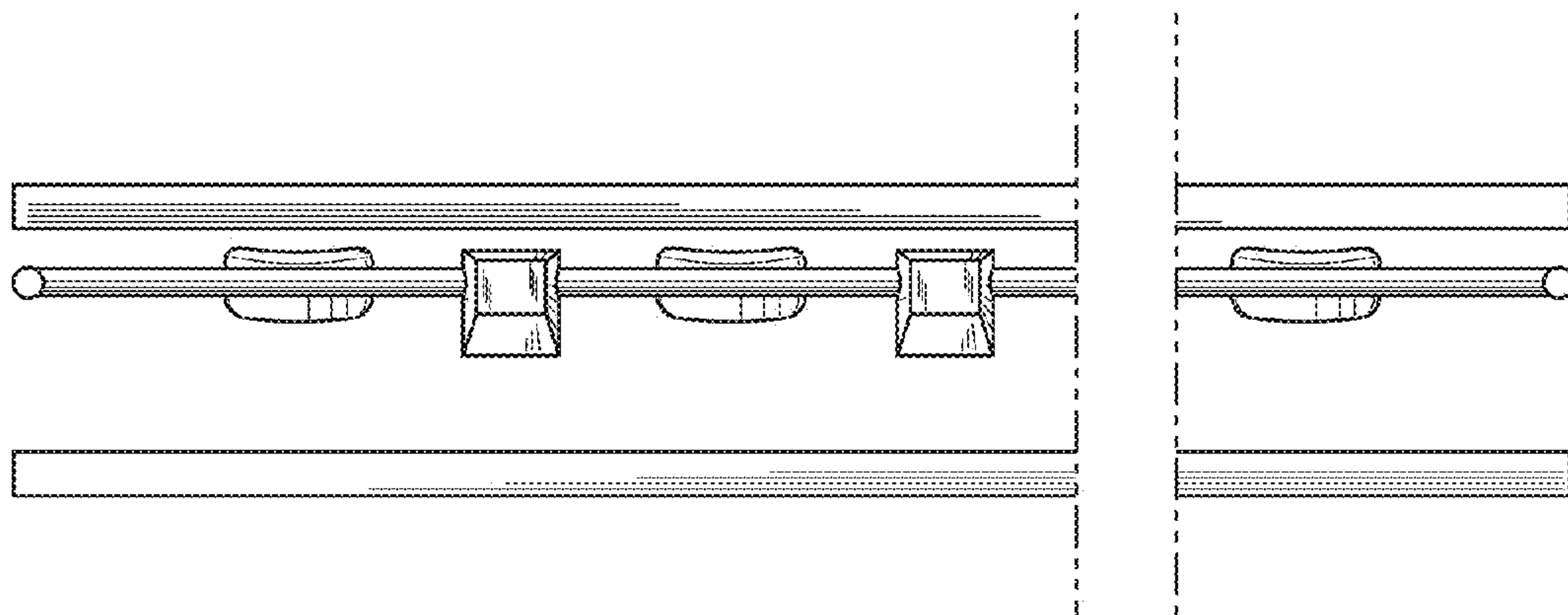


FIG. 12