



US00D731627S

(12) **United States Design Patent**
Guest

(10) **Patent No.:** **US D731,627 S**
(45) **Date of Patent:** **** Jun. 9, 2015**

(54) **FLUID CONNECTOR**

(71) Applicant: **John Guest International Limited**,
West Drayton, Middlesex (GB)

(72) Inventor: **Timothy Steven Guest**, Bray (GB)

(73) Assignee: **John Guest International Limited**,
West Drayton (GB)

(**) Term: **14 Years**

(21) Appl. No.: **29/487,799**

(22) Filed: **Apr. 11, 2014**

Related U.S. Application Data

(62) Division of application No. 29/423,375, filed on May 31, 2012, now Pat. No. Des. 712,014.

(51) **LOC (10) Cl.** **23-01**

(52) **U.S. Cl.**
USPC **D23/262**

(58) **Field of Classification Search**
USPC D23/259-269; D24/129; 138/103, 105,
138/109, 118, 118.1, 121, 122, 126, 128,
138/140, 154, 155, 157, 158, 167, 177;
285/58, 85-93, 124.1, 179-183;
D13/155; D8/382; 403/31, 53, 54

See application file for complete search history.

(56) **References Cited**

U.S. PATENT DOCUMENTS

3,991,822 A	11/1976	Morris	
D245,921 S	9/1977	Beran	
D291,481 S *	8/1987	Vassallo et al. D23/263
D325,775 S	4/1992	Hayes	
D325,961 S	5/1992	Hayes	
D354,801 S	1/1995	Grant et al.	
D356,147 S	3/1995	Clivio	
D362,900 S	10/1995	Miska	
5,518,276 A	5/1996	Gunderson	

D379,851 S	6/1997	Mathison	
D387,146 S	12/1997	Morrison	
D403,056 S	12/1998	Clivio	
6,257,626 B1	7/2001	Campau	
D453,815 S	2/2002	Hoenig	
D455,819 S	4/2002	Hoenig	
D464,409 S	10/2002	Nishio	
6,499,771 B1 *	12/2002	Snyder et al. 285/319
D480,787 S *	10/2003	Wilk et al. D23/263

(Continued)

OTHER PUBLICATIONS

10mm Push In Equal Elbow Connector For Pneumatics Or Fluids B94a, hydraulics and pneumatics, ebay.com, Searched Nov. 18, 2014, http://www.ebay.com/itm/10mm-Push-Equal-Elbow-Connector-Pneumatics-Fluids-B94a-/111393741987?pt=Pneumatic_Hydraulic_Valves_Parts&hash=item19ef959ca3.*

(Continued)

Primary Examiner — John Windmuller

Assistant Examiner — Steven Czyn

(74) *Attorney, Agent, or Firm* — Workman Nydegger

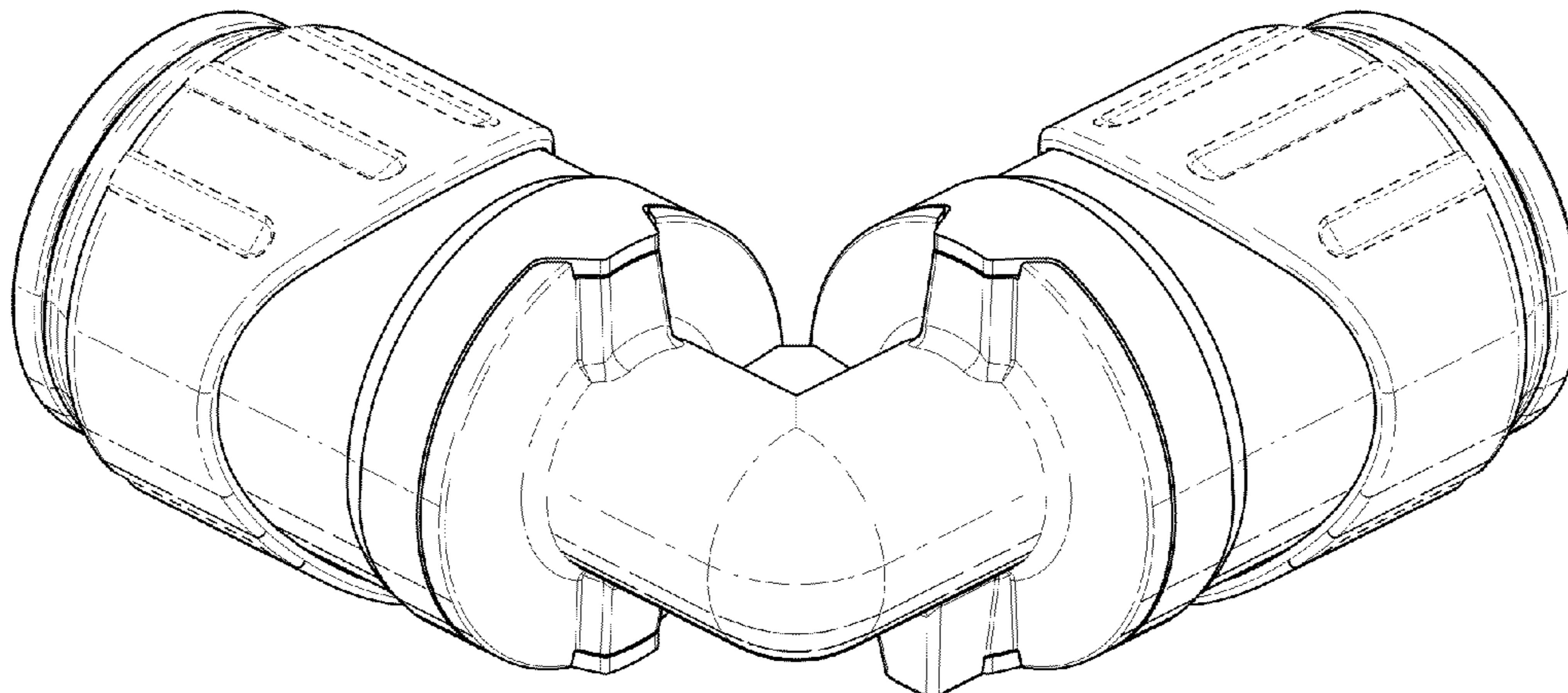
(57) **CLAIM**

The ornamental design for a fluid connector, as shown and described.

DESCRIPTION

FIG. 1 is a perspective view of a fluid connector showing my new design;
FIG. 2 is a right side elevational view thereof;
FIG. 3 is a front elevational view thereof;
FIG. 4 is a rear elevational view thereof;
FIG. 5 is a top plan view thereof;
FIG. 6 is a bottom plan view thereof; and,
FIG. 7 is a perspective view thereof with the two collars of the fluid connector rotated to a second position.
The broken lines are included for the purpose of illustrating portions of the article that form no part of the claimed design.

1 Claim, 4 Drawing Sheets



(56)

References Cited

U.S. PATENT DOCUMENTS

D481,447 S * 10/2003 Dole et al. D23/263
 D482,103 S * 11/2003 Snyder et al. D23/263
 D482,761 S 11/2003 Gotoh et al.
 D483,096 S 12/2003 Gotoh et al.
 D517,176 S 3/2006 Wilk et al.
 D517,666 S * 3/2006 Wilk et al. D23/262
 D523,123 S * 6/2006 Wilk et al. D23/262
 D550,333 S 9/2007 Bamberger et al.
 D565,707 S 4/2008 Brockington et al.
 D575,377 S 8/2008 Roman
 D593,652 S 6/2009 Thomas et al.
 D602,128 S 10/2009 Williams et al.
 D615,165 S 5/2010 McAlpine et al.
 D627,039 S 11/2010 Yu
 D639,398 S 6/2011 Wilhelm
 D648,008 S 11/2011 Percoco et al.
 D651,696 S 1/2012 Giordano
 D665,481 S 8/2012 Bloink et al.
 8,267,431 B2 9/2012 Okuno et al.
 D676,940 S 2/2013 Kluss et al.
 D676,941 S * 2/2013 Kluss et al. D23/262
 D676,942 S 2/2013 Kluss et al.
 D676,943 S 2/2013 Kluss et al.
 D681,159 S 4/2013 Ben-Horin et al.
 D687,528 S * 8/2013 Meyer D23/262

D691,246 S 10/2013 Ward
 8,636,720 B2 1/2014 Truitt et al.
 8,641,685 B2 * 2/2014 Mansour et al. 604/256
 8,646,813 B1 2/2014 Shemtov
 8,647,326 B2 2/2014 Solomon et al.
 8,657,343 B2 2/2014 Rodenberg et al.
 D711,516 S * 8/2014 Guest D23/262
 D712,014 S * 8/2014 Guest D23/262
 D716,916 S * 11/2014 Snow D23/262
 2002/0185868 A1 * 12/2002 Snyder et al. 285/374
 2005/0194781 A1 9/2005 Tiberghien et al.
 2008/0238087 A1 10/2008 Wang et al.
 2013/0257043 A1 10/2013 Guest

OTHER PUBLICATIONS

Coudes Égales à Pousser Acier Inoxydable Métrique 316, ebay.com,
 Searched Nov. 18, 2014, http://www.ebay.com/itm/Coudes-Egales-a-Pousser-Acier-Inoxydable-Metrique-316-/131228452256?pt=FR_YO_MaisonJardin_Outils_MachinesIndustrielles&var=&hash=item643b25ef6c.
 Office Action dated Mar. 7, 2014, issued in U.S. Appl. No. 29/423,375, filed May 31, 2012.
 Office Action dated Mar. 7, 2014, issued in U.S. Appl. No. 29/423,379, filed May 31, 2012.

* cited by examiner

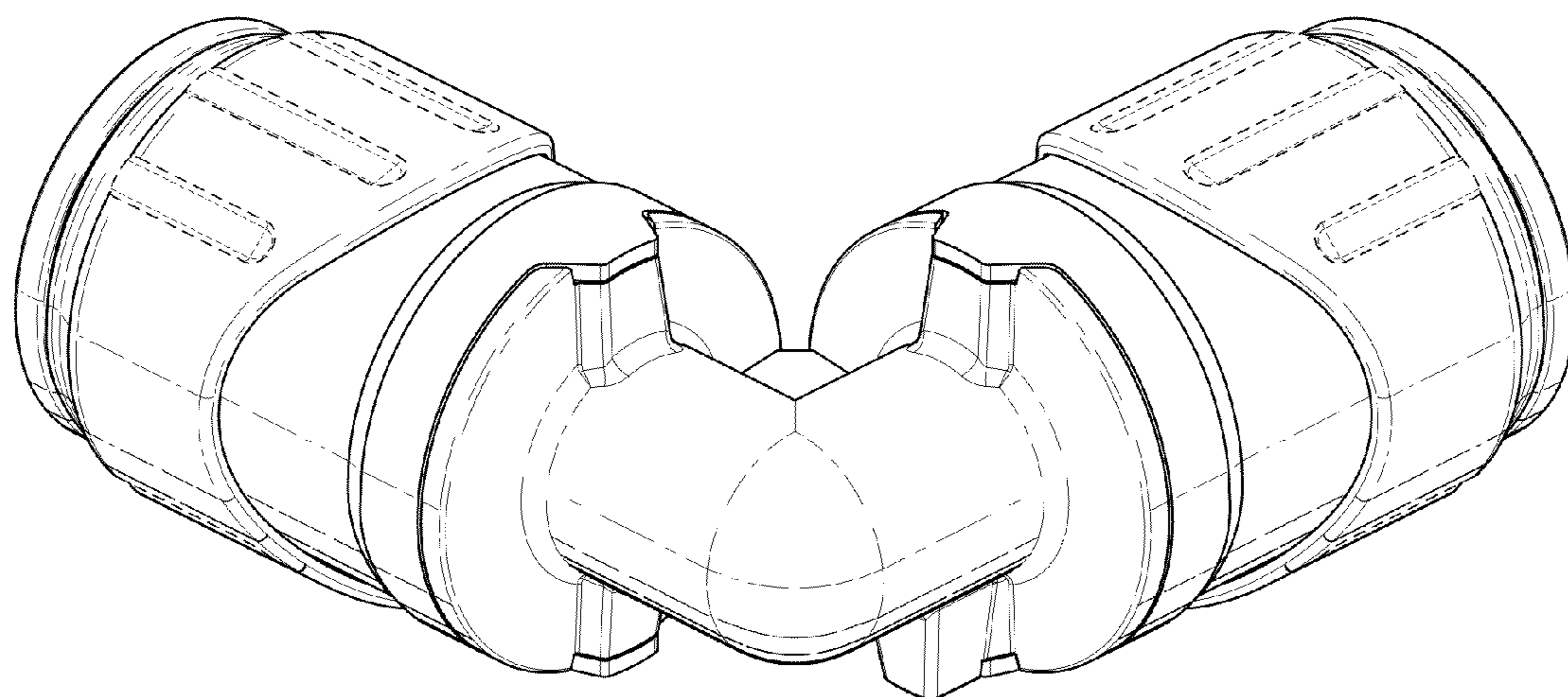


FIG. 1

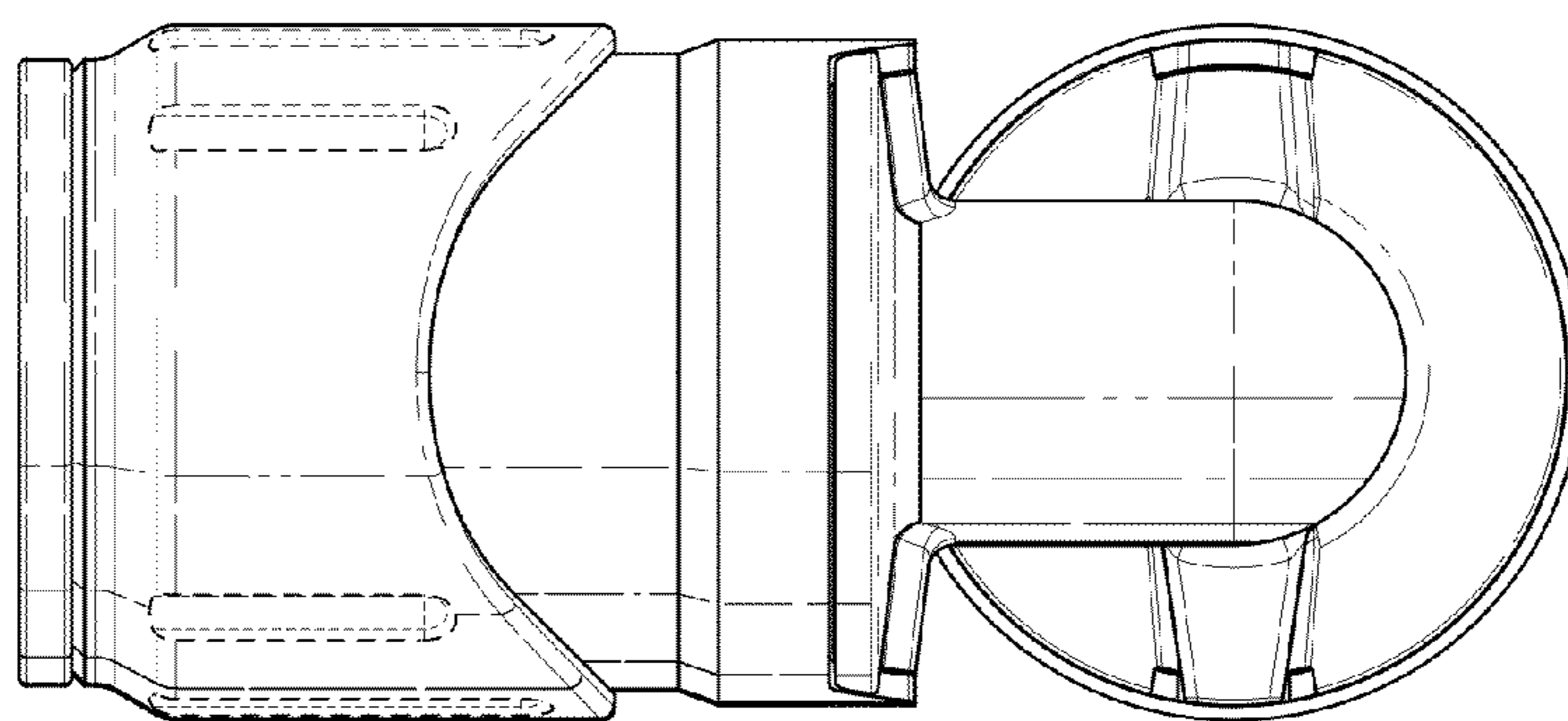


FIG. 2

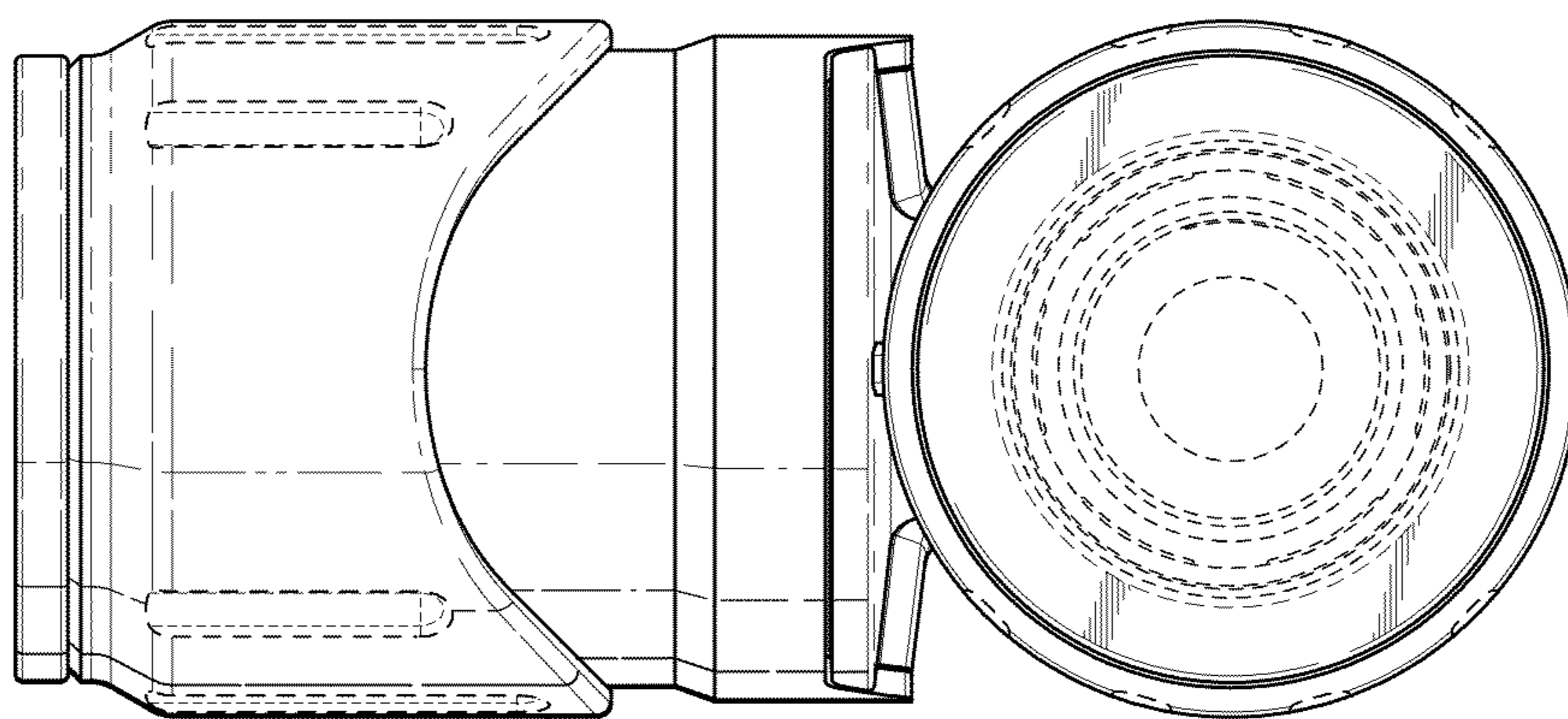


FIG. 3

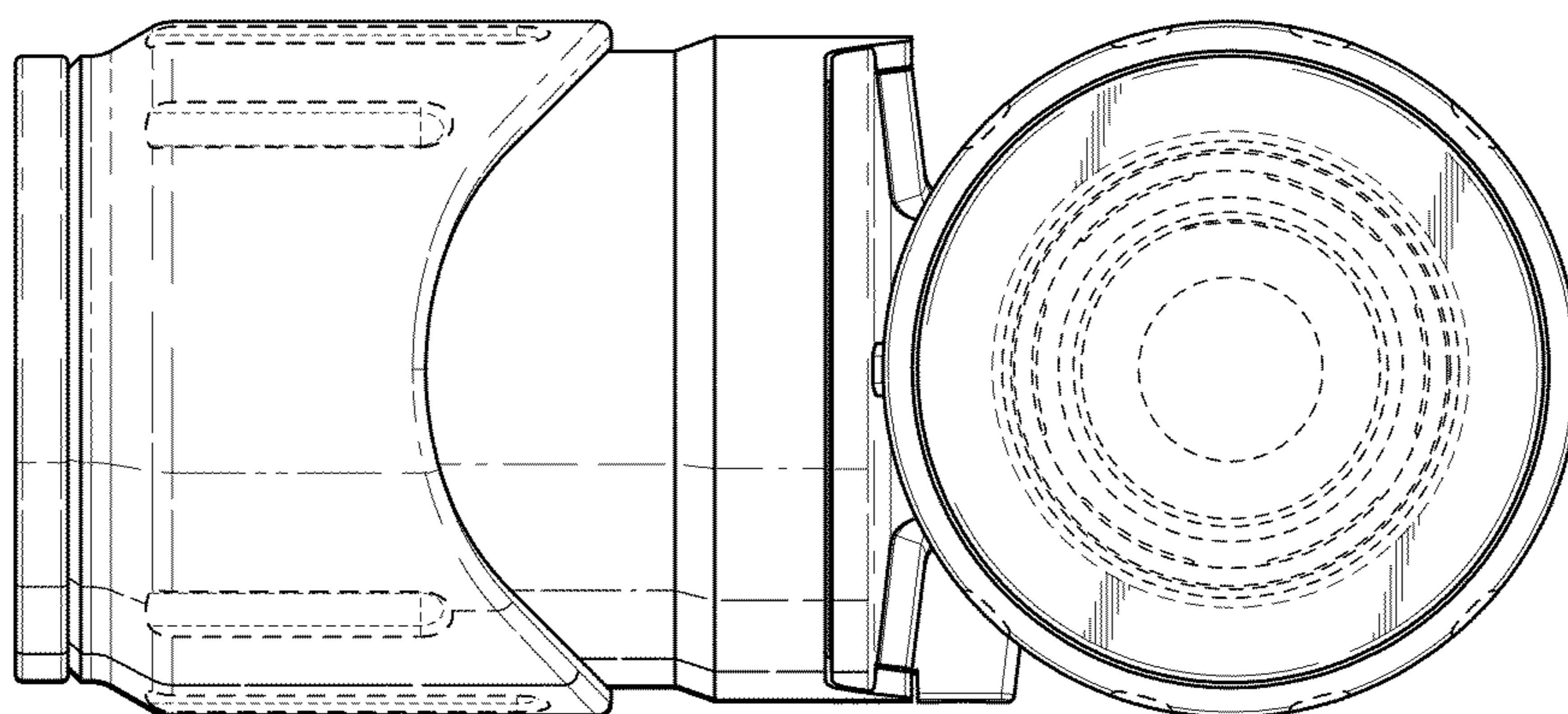


FIG. 4

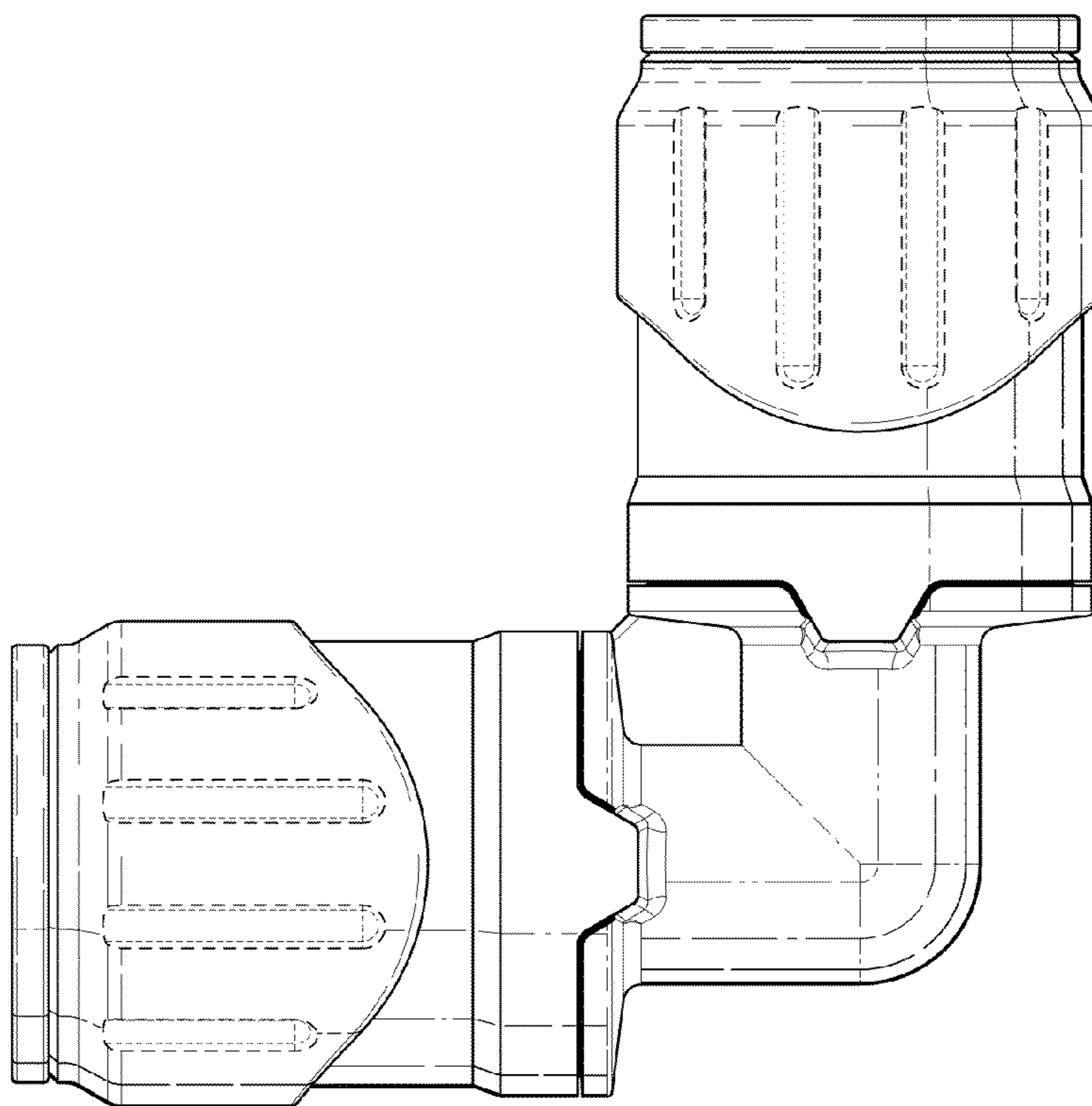


FIG. 5

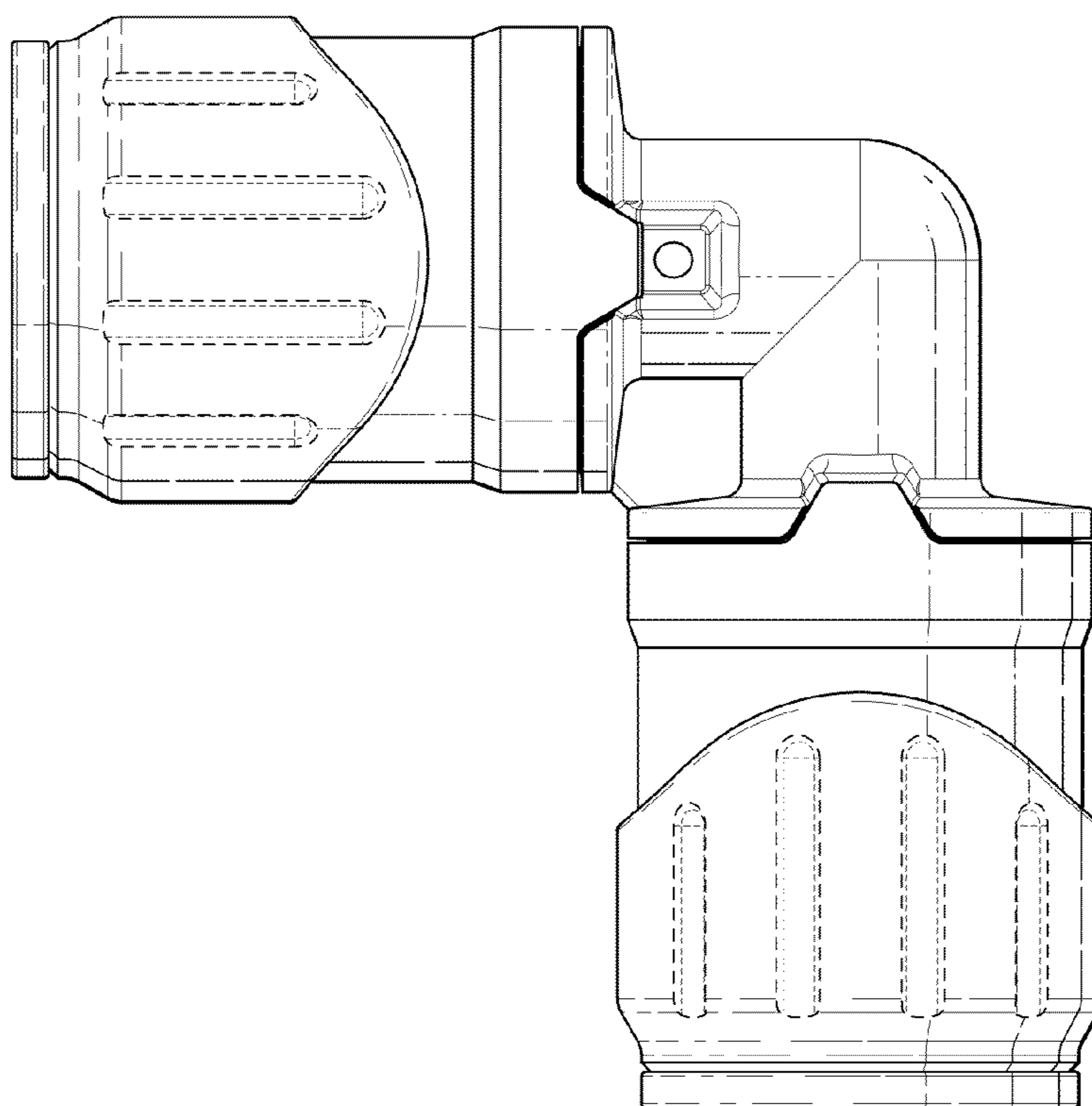


FIG. 6

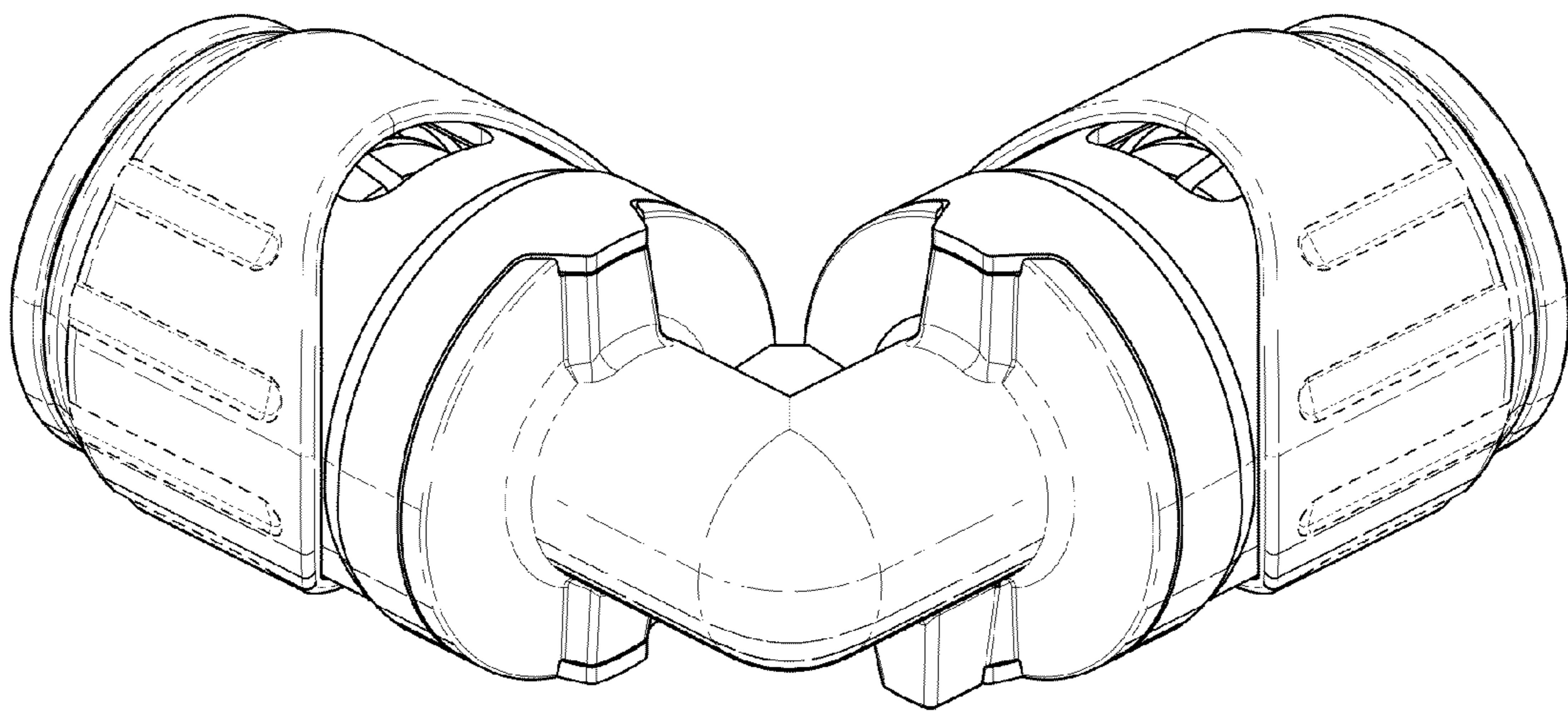


FIG. 7