



US00D731626S

(12) **United States Design Patent**  
**Umehara**

(10) **Patent No.:** **US D731,626 S**

(45) **Date of Patent:** **\*\* \*Jun. 9, 2015**

(54) **TERMINAL COMPONENT FOR CONNECTING PIPE**

(71) Applicant: **USUI Kokusai Sangyo Kaisha Limited, Shizuoka (JP)**

(72) Inventor: **Jun Umehara, Shizuoka (JP)**

(73) Assignee: **USUI Kokusai Sangyo Kaisha Limited, Shizuoka (JP)**

(\*) Notice: This patent is subject to a terminal disclaimer.

(\*\*) Term: **14 Years**

(21) Appl. No.: **29/451,717**

(22) Filed: **Apr. 8, 2013**

(30) **Foreign Application Priority Data**

Oct. 23, 2012 (JP) ..... 2012-025711

(51) **LOC (10) Cl.** ..... **23-01**

(52) **U.S. Cl.**  
USPC ..... **D23/262**

(58) **Field of Classification Search**  
USPC ..... D23/259, 260, 261, 262, 263, 264, 265;  
138/177, 103, 110, 140, 143; D8/382;  
285/31, 61, 81, 114, 305, 308, 364;  
D24/129

See application file for complete search history.

(56) **References Cited**

**U.S. PATENT DOCUMENTS**

2,170,557	A *	8/1939	Guarnaschelli	.....	285/61
2,175,662	A *	10/1939	Guarnaschelli	.....	285/61
D235,342	S *	6/1975	Otto et al.	.....	D23/260
D235,343	S *	6/1975	Otto et al.	.....	D23/262
D255,145	S *	5/1980	Nederman	.....	D23/262
D287,501	S *	12/1986	Davis	.....	D15/150
4,743,480	A *	5/1988	Campbell et al.	.....	428/36.5
4,744,695	A *	5/1988	Lindsey et al.	.....	405/183.5

5,328,742	A *	7/1994	Tukihara	.....	428/105
6,548,760	B1 *	4/2003	Stout, Jr.	.....	174/650
D482,761	S *	11/2003	Gotoh et al.	.....	D23/262
D522,109	S *	5/2006	White et al.	.....	D23/262
D576,477	S *	9/2008	Levy	.....	D8/382
D600,322	S *	9/2009	Forsythe	.....	D23/260
D600,323	S *	9/2009	Forsythe	.....	D23/260
D602,128	S *	10/2009	Williams et al.	.....	D23/262
D648,007	S *	11/2011	Morishita	.....	D23/259
D716,915	S *	11/2014	Seino et al.	.....	D23/259
2003/0084948	A1 *	5/2003	Tanaka et al.	.....	138/109
2009/0107558	A1 *	4/2009	Quigley et al.	.....	137/15.01
2011/0297266	A1 *	12/2011	Railsback et al.	.....	138/110

\* cited by examiner

*Primary Examiner* — Eric Goodman

*Assistant Examiner* — Steven Czyn

(74) *Attorney, Agent, or Firm* — Sutherland Asbill & Brennan LLP

(57) **CLAIM**

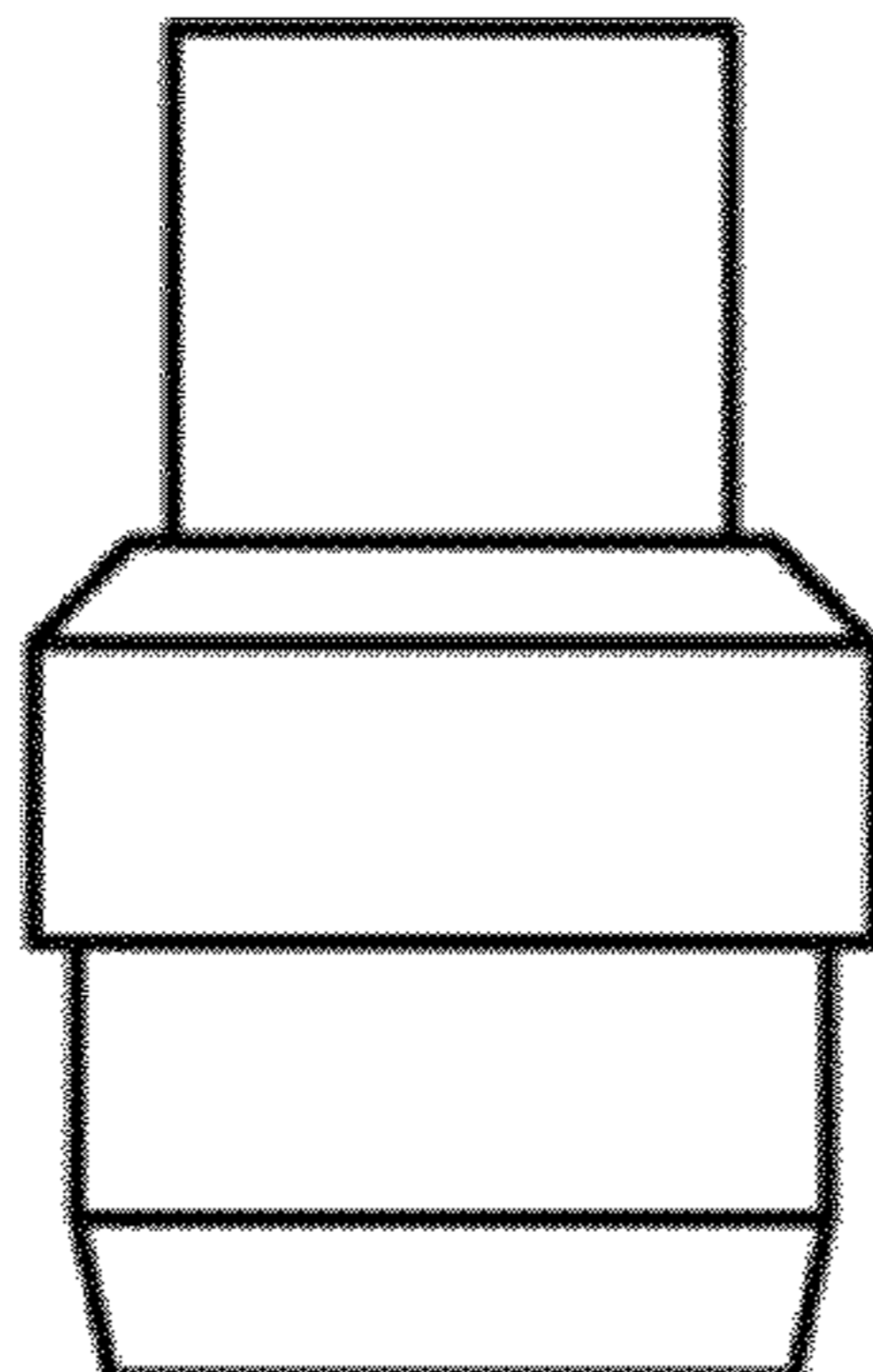
The ornamental design for a terminal component for connecting pipe, as shown and described.

**DESCRIPTION**

FIG. 1 is a front view of a terminal component showing my new design;  
 FIG. 2 is a top view thereof;  
 FIG. 3 is a bottom view thereof;  
 FIG. 4 is a perspective view thereof;  
 FIG. 5 is a further perspective view thereof showing the terminal component in use;  
 FIG. 6 is a sectional view thereof taken along the line 6-6 of FIG. 2, showing the article in use; and,  
 FIG. 7 is a further section view thereof taken along the line 7-7 of FIG. 3, showing the article in use.

A back view, a left side view, and a right side view appear identical to the front view. The broken line showings of connectors and pipe in FIGS. 5-7 are for the purpose of illustrating the usage environment of the terminal component and form no part of the claimed design.

**1 Claim, 4 Drawing Sheets**



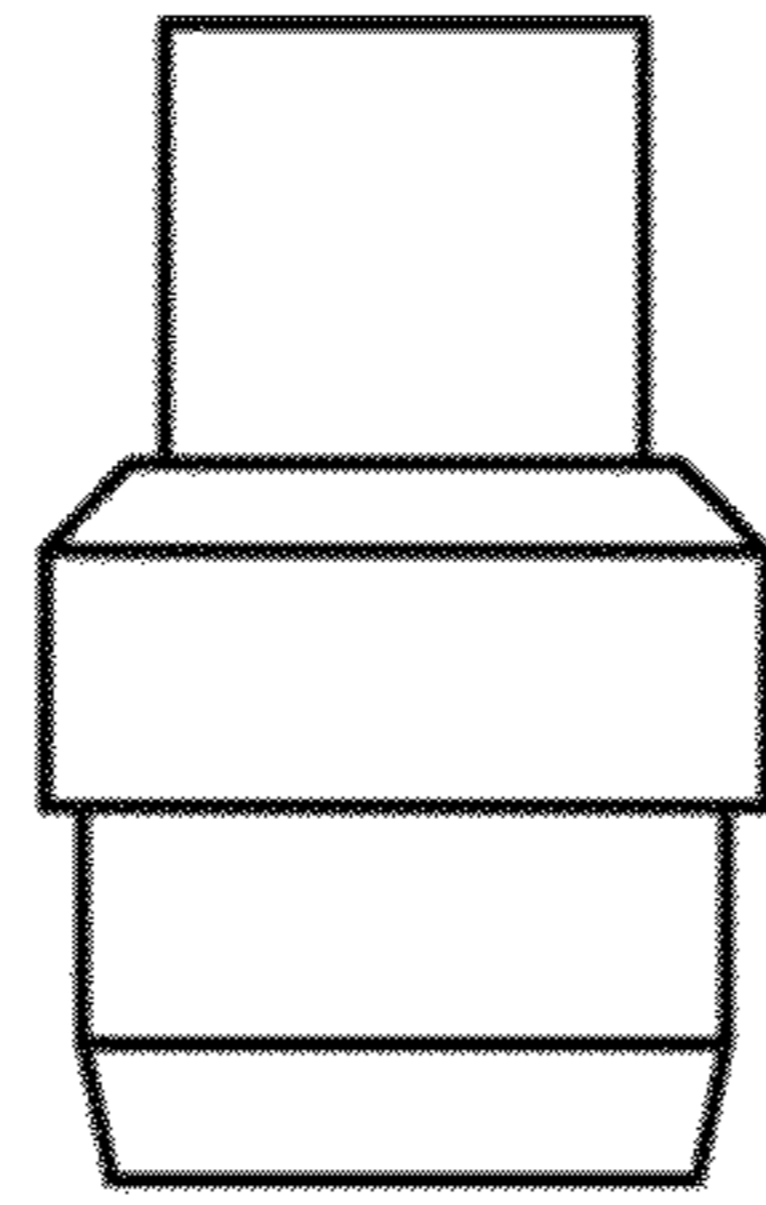


Fig. 1

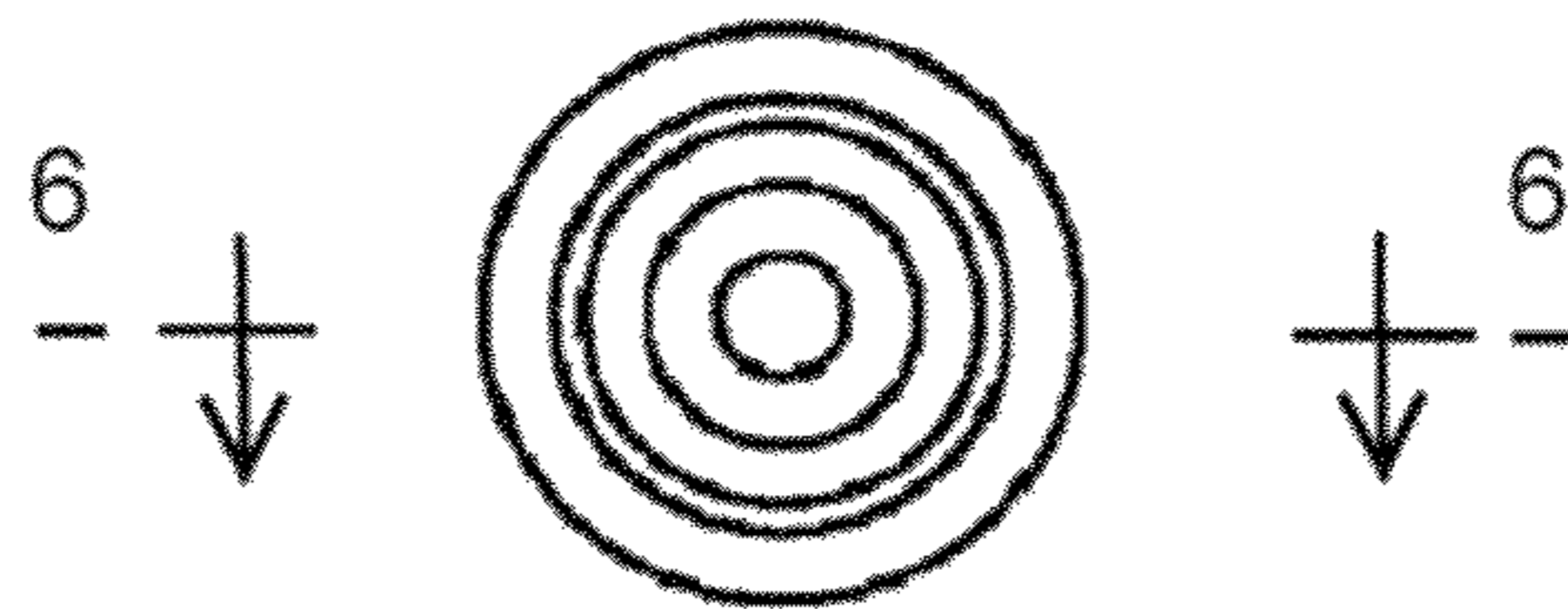


Fig. 2

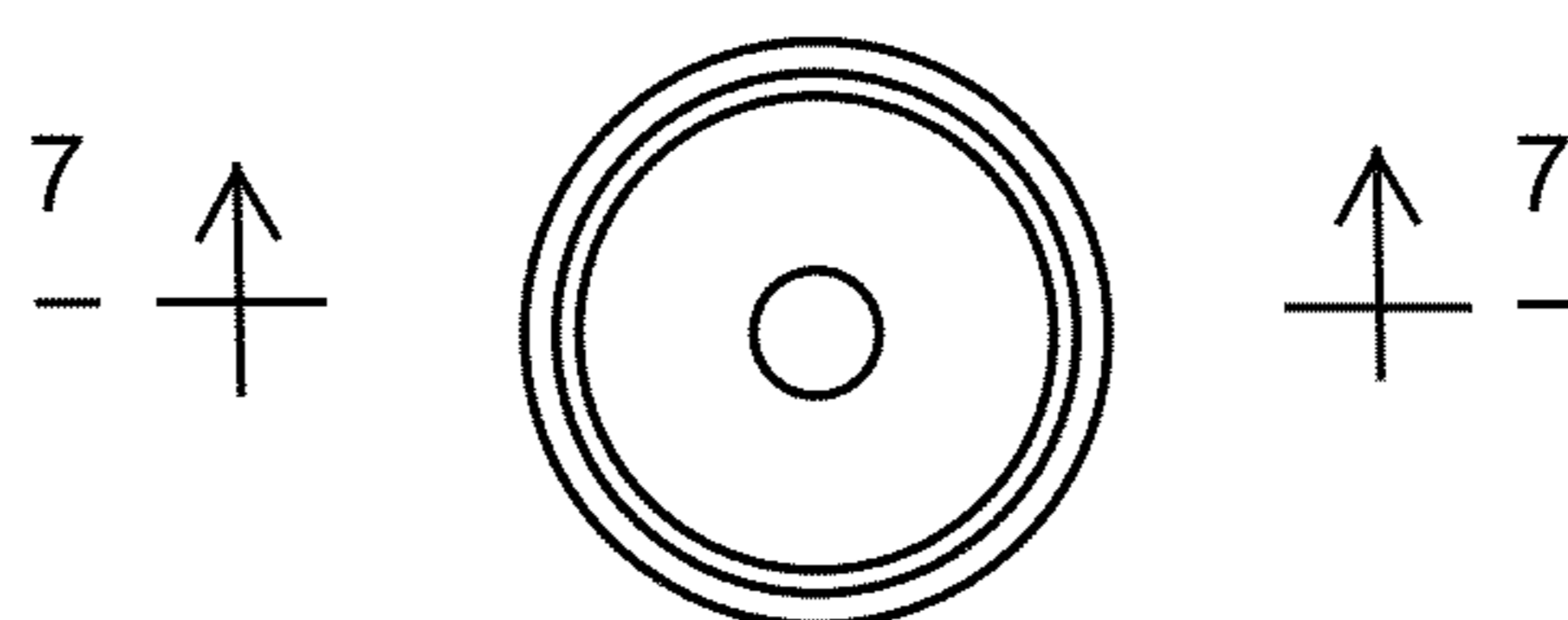


Fig. 3

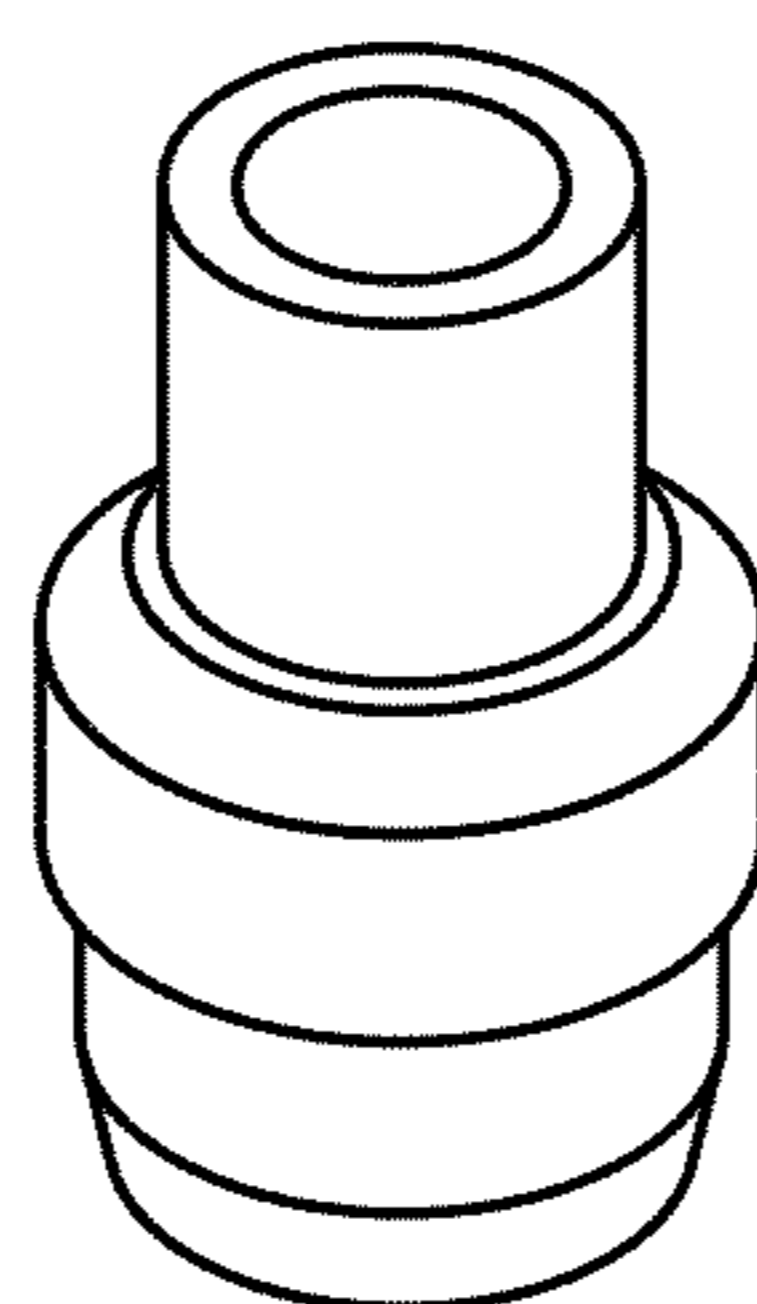


Fig. 4

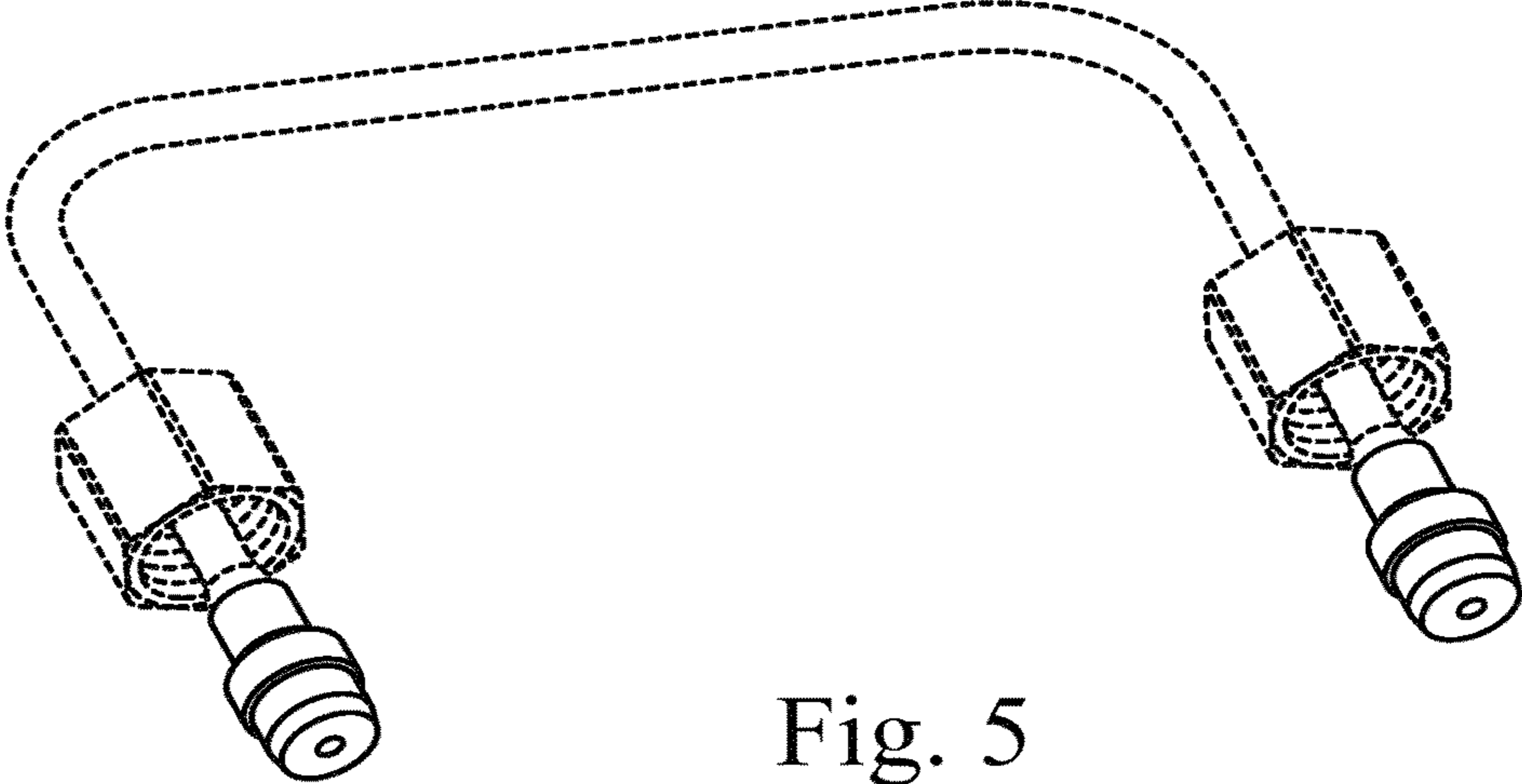


Fig. 5

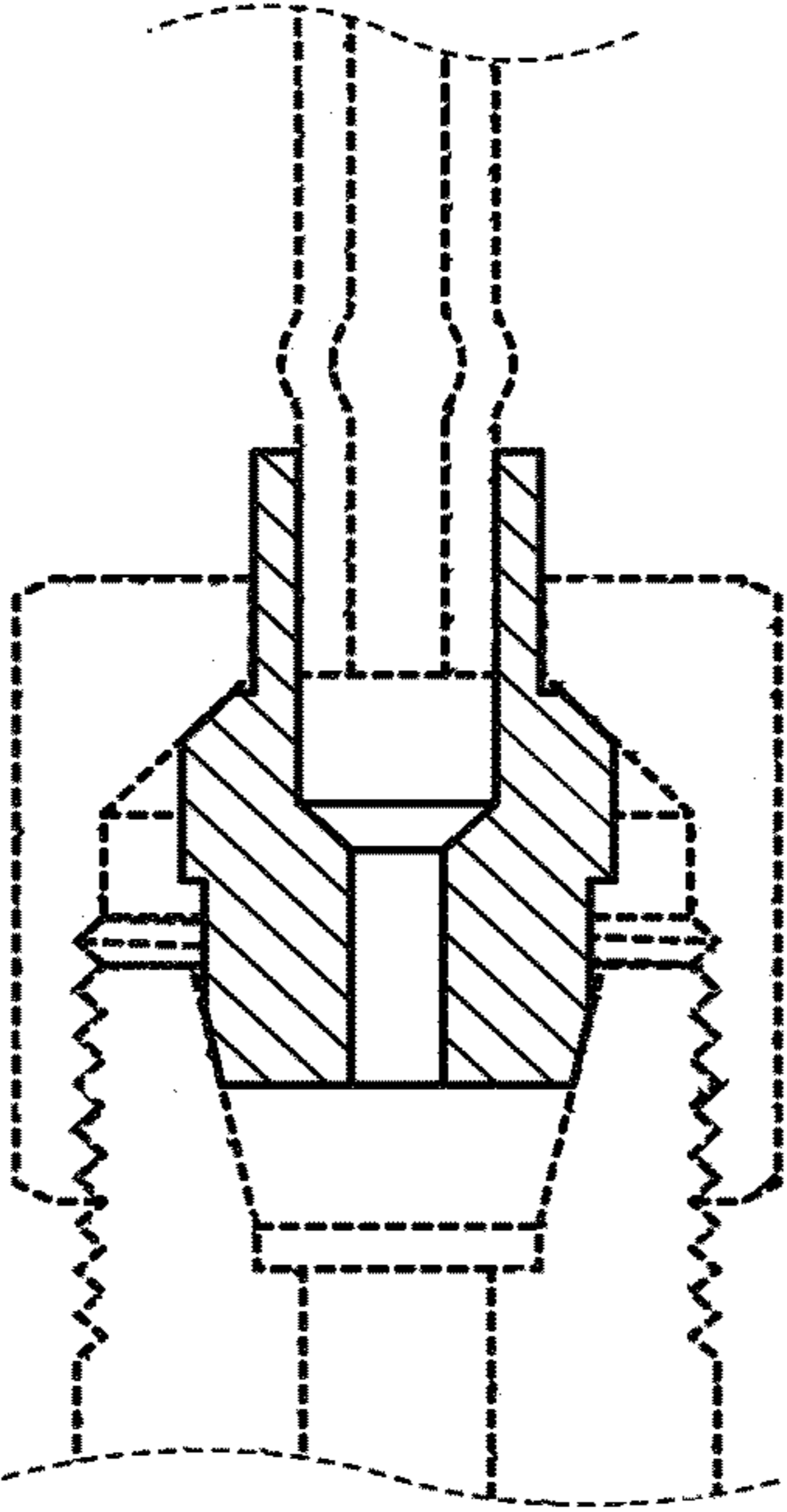


Fig. 6

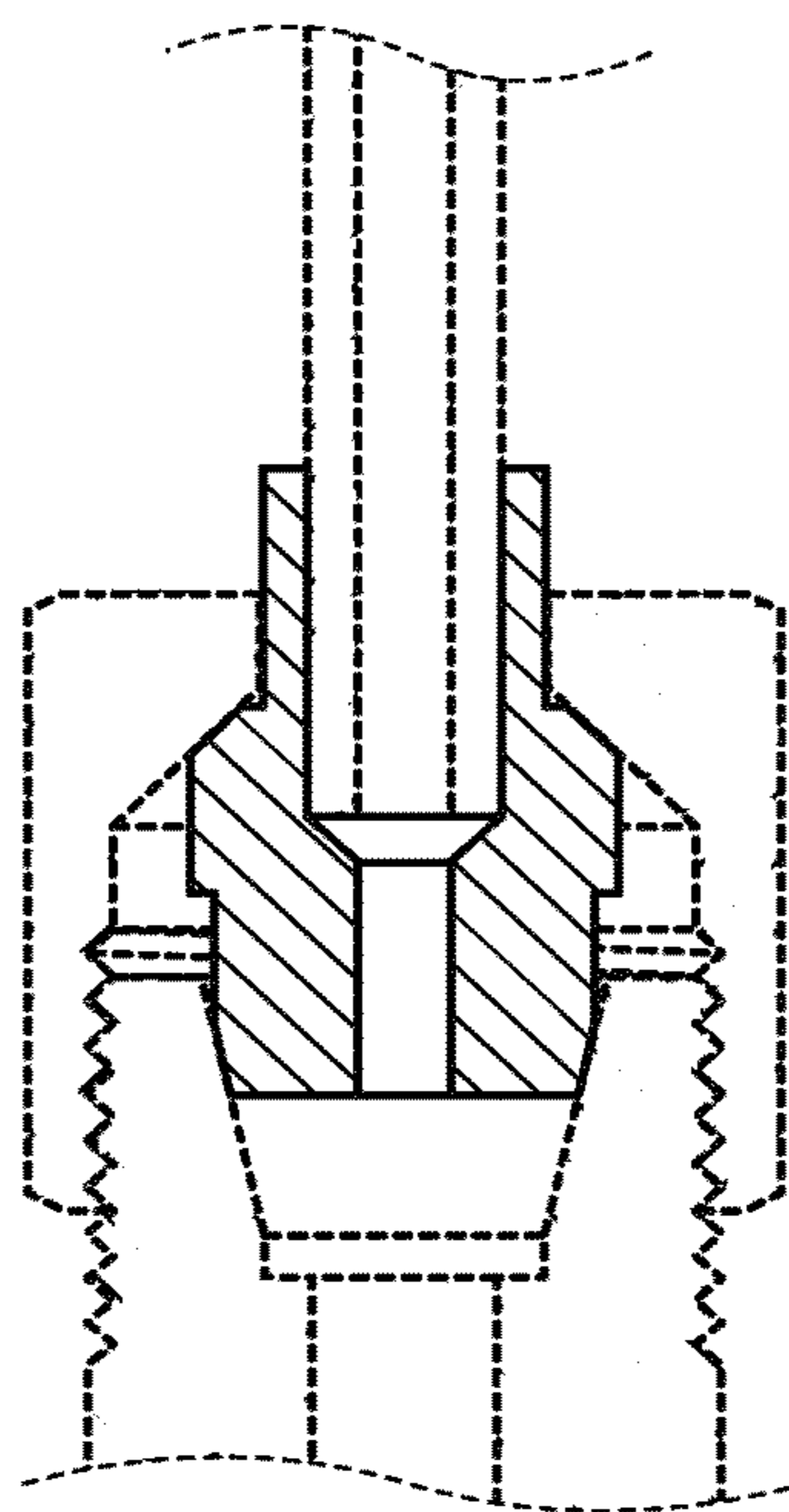


Fig. 7