



US00D731624S

(12) **United States Design Patent**
Waddell

(10) **Patent No.:** **US D731,624 S**
(45) **Date of Patent:** **** Jun. 9, 2015**

(54) **DUAL-PURPOSE FOUNTAIN**

(71) Applicant: **John Steven Waddell**, Suffolk, VA (US)

(72) Inventor: **John Steven Waddell**, Suffolk, VA (US)

(**) Term: **14 Years**

(21) Appl. No.: **29/493,431**

(22) Filed: **Jun. 10, 2014**

(51) **LOC (10) Cl.** **23-01**

(52) **U.S. Cl.**
USPC **D23/257**

(58) **Field of Classification Search**
USPC D23/201, 238, 255, 286, 249; D7/305
CPC E03C 2001/0415
See application file for complete search history.

(56) **References Cited**

U.S. PATENT DOCUMENTS

D576,255 S * 9/2008 Nobili D23/238
D689,595 S * 9/2013 Georgeson D23/238

* cited by examiner

Primary Examiner — Robert Delehanty

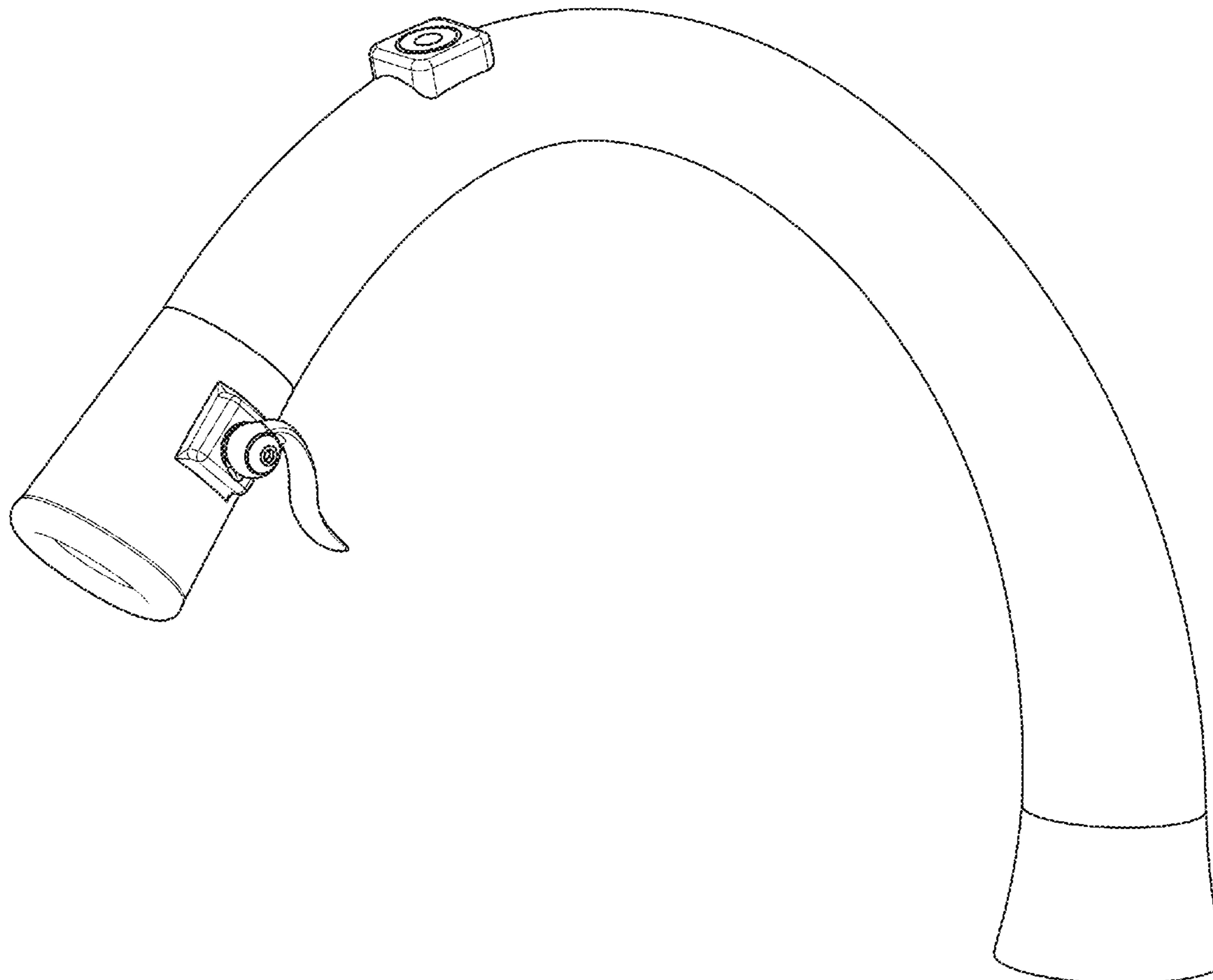
(57) **CLAIM**

The ornamental design for a dual-purpose fountain, as shown and described.

DESCRIPTION

FIG. 1—Front Perspective of a dual-purpose fountain showing my new design;
FIG. 1: Isometric Perspective view
FIG. 2: Front view
FIG. 3: Back view
FIG. 4: Right view
FIG. 5: Left view
FIG. 6: Top view; and,
FIG. 7: Bottom view.

1 Claim, 7 Drawing Sheets



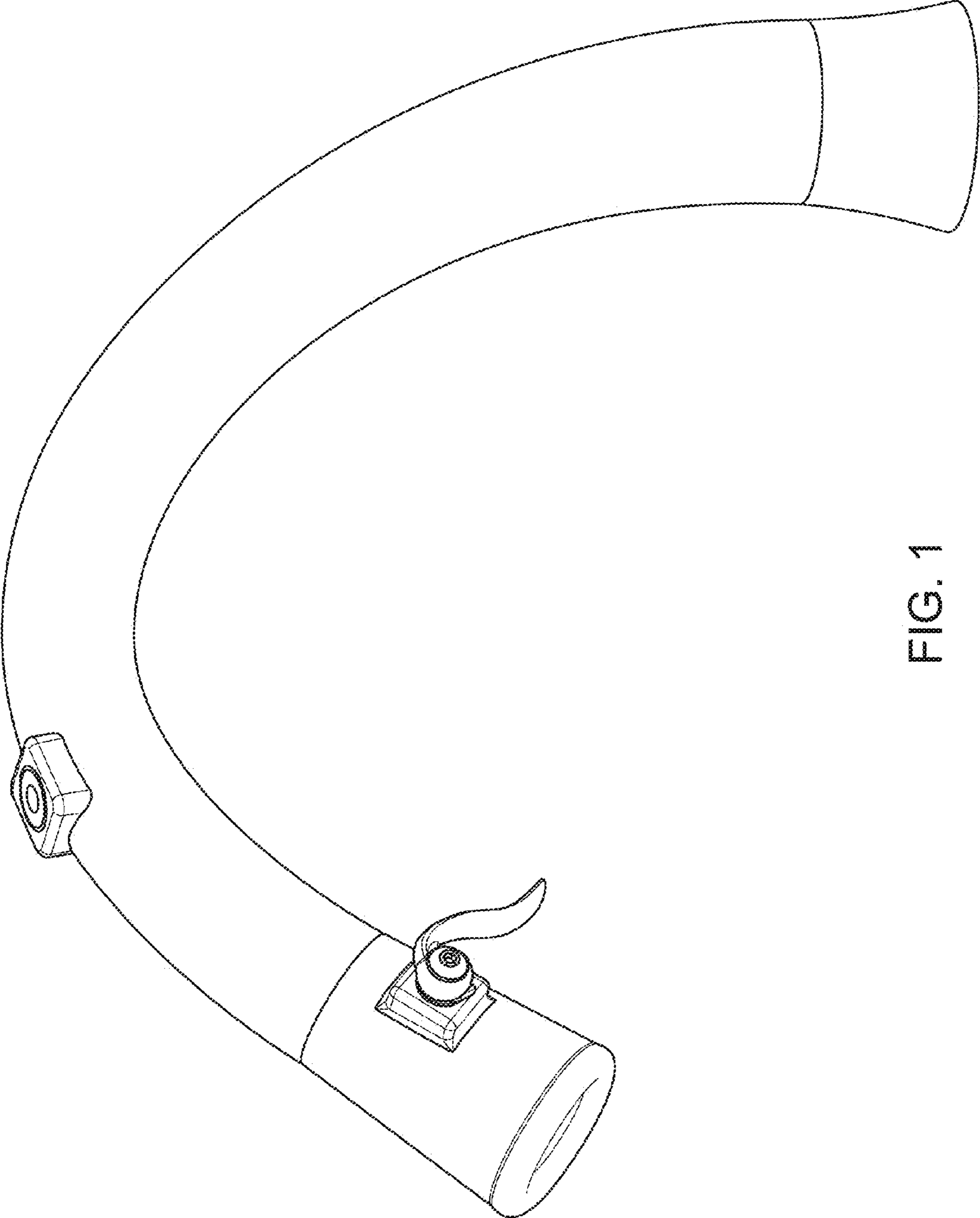


FIG. 1

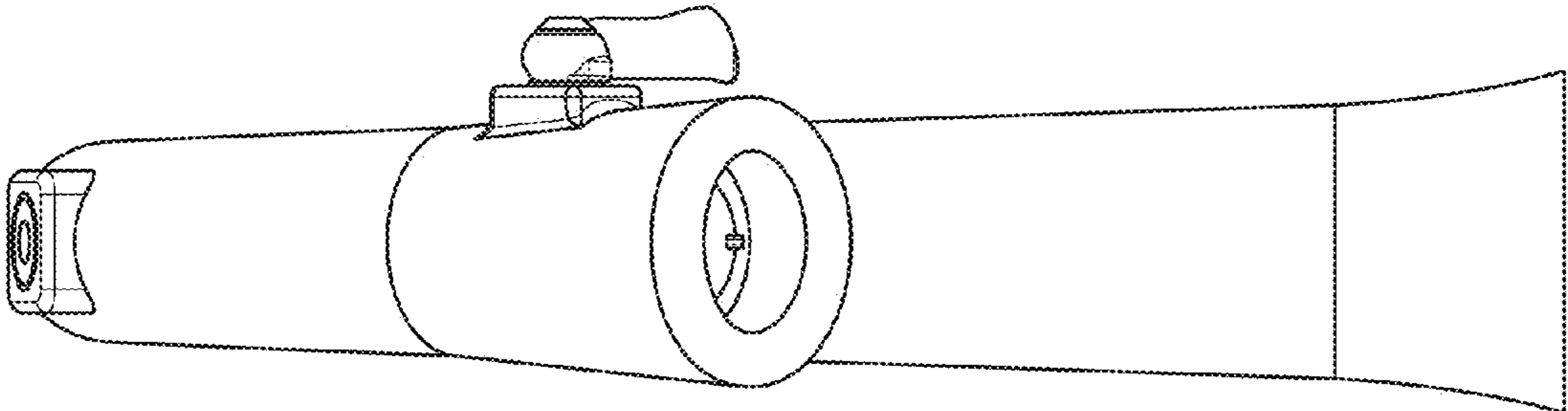


FIG. 2

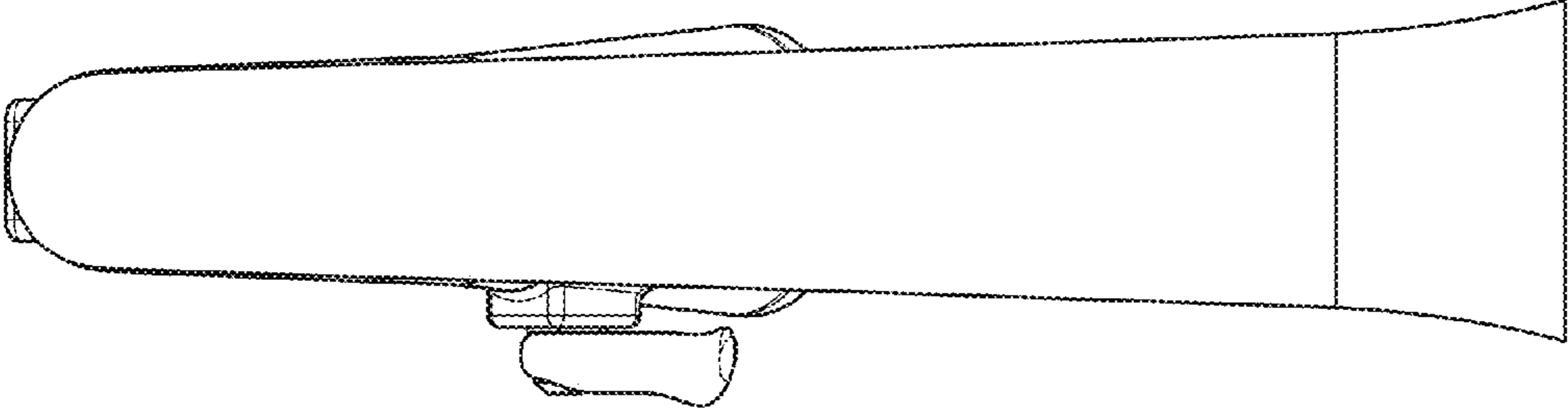


FIG. 3

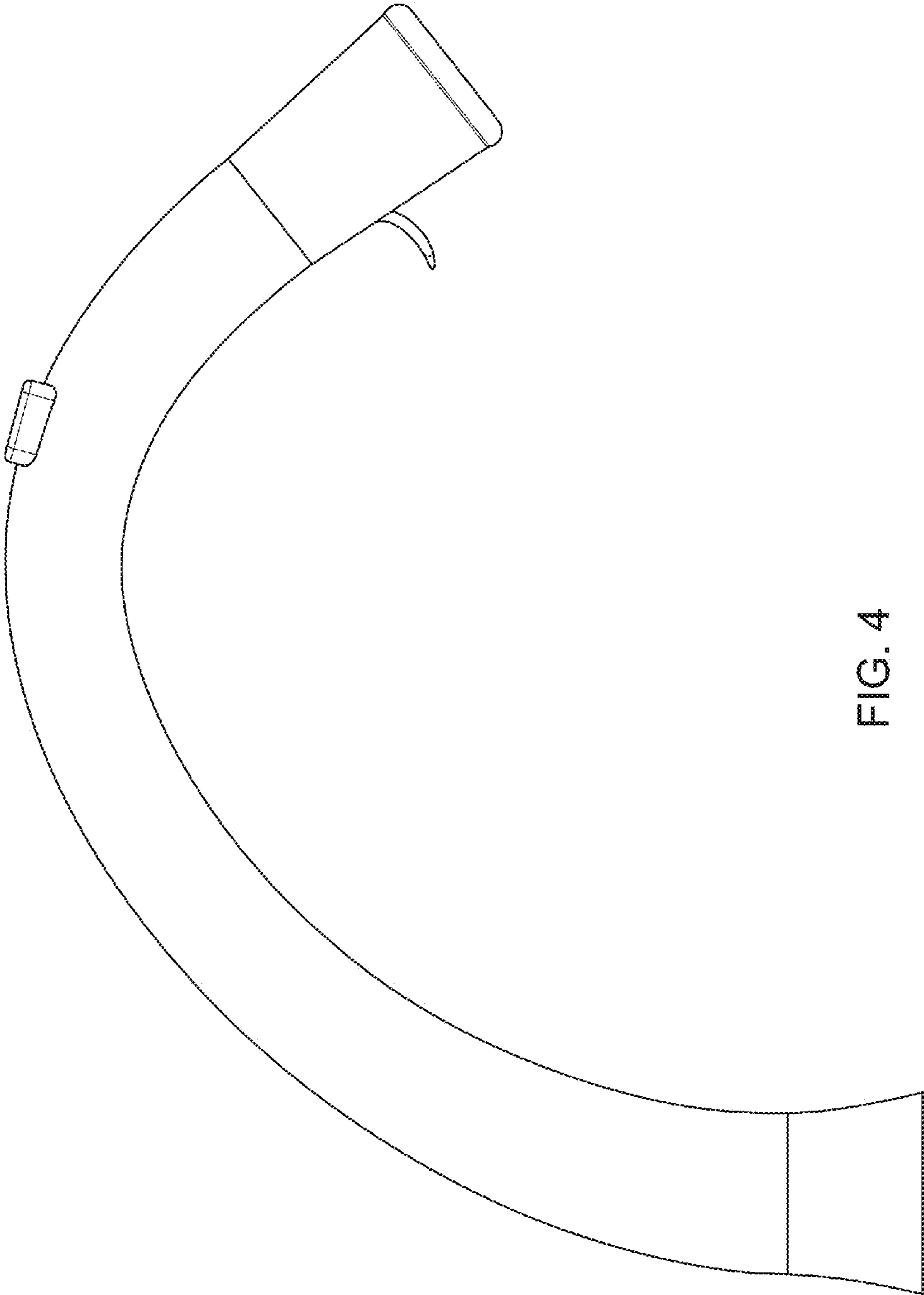


FIG. 4

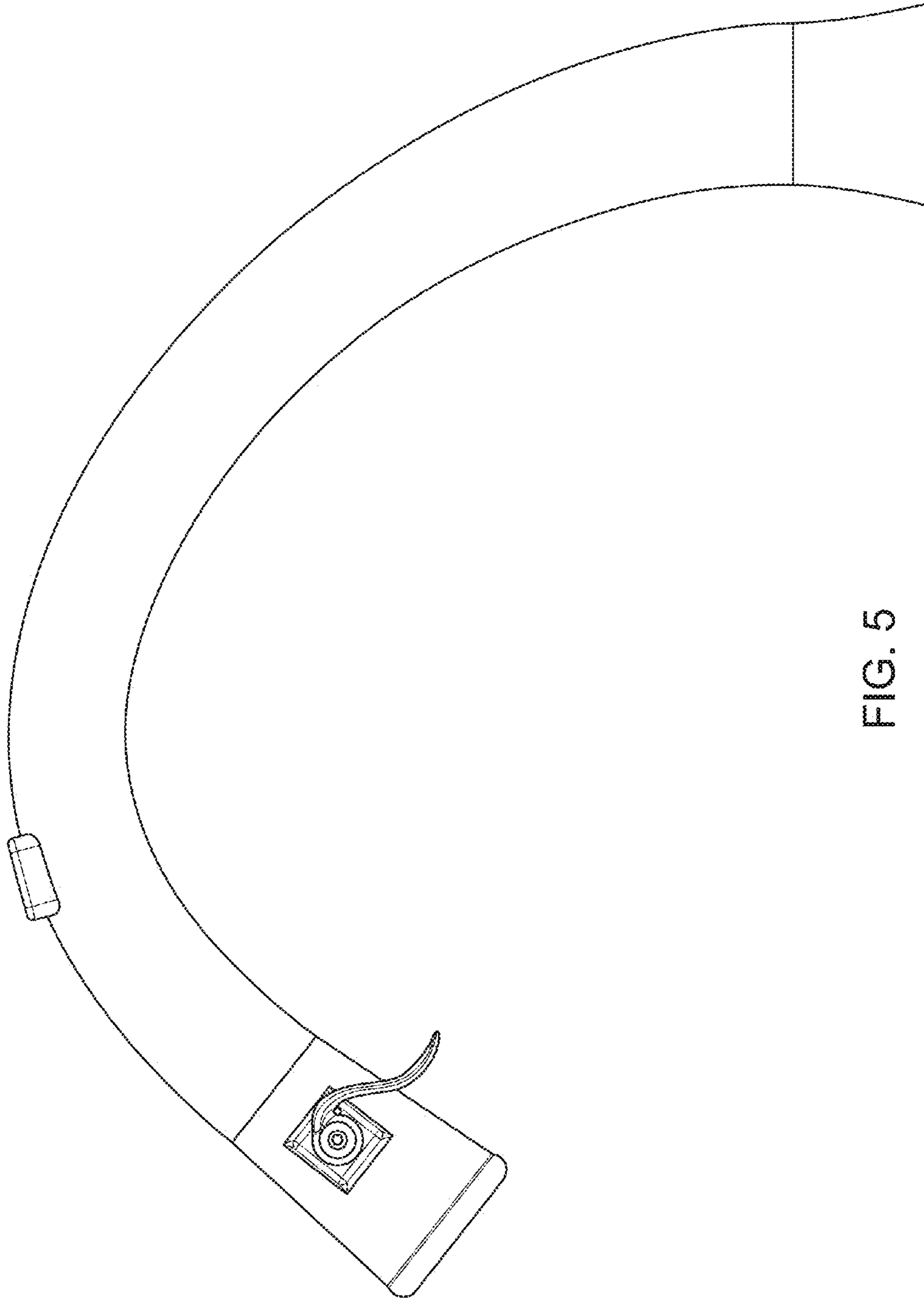


FIG. 5

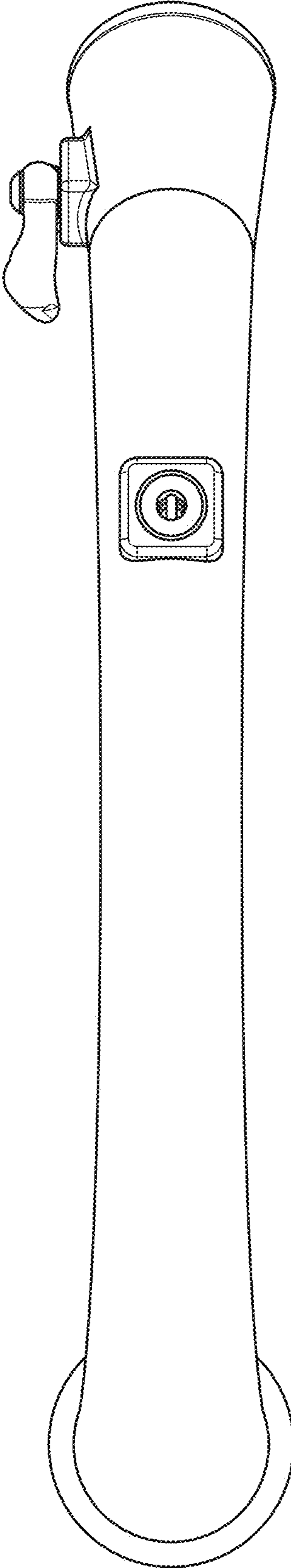


FIG. 6

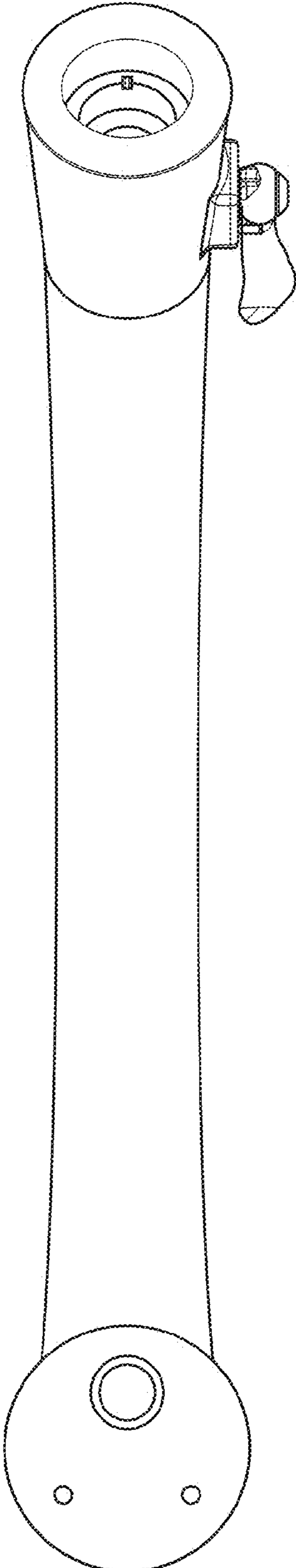


FIG. 7