



US00D731623S

(12) **United States Design Patent**
Flowers et al.

(10) **Patent No.:** **US D731,623 S**
(45) **Date of Patent:** **** Jun. 9, 2015**

(54) **BASIN MIXER HANDLE**

(71) Applicant: **Grohe AG**, Hemer (DE)

(72) Inventors: **Paul Flowers**, Duesseldorf (DE); **Jochen Allard**, Menden (DE)

(73) Assignee: **Grohe AG**, Hemer (DE)

(**) Term: **14 Years**

(21) Appl. No.: **29/510,818**

(22) Filed: **Dec. 3, 2014**

(30) **Foreign Application Priority Data**

Jun. 3, 2014 (EM) 002475368-0001
Jun. 3, 2014 (EM) 002475368-0014

(51) **LOC (10) Cl.** **23-01**

(52) **U.S. Cl.**
USPC **D23/252**

(58) **Field of Classification Search**
USPC D23/238, 241–243, 249–250, 252, 254
CPC E03C 1/04; E03C 1/0401; E03C 1/0402;
E03C 1/0404

See application file for complete search history.

(56) **References Cited**

U.S. PATENT DOCUMENTS

D510,126 S *	9/2005	Ouyoung	D23/238
D526,052 S *	8/2006	Lord	D23/252
D534,622 S *	1/2007	Chu et al.	D23/238
D591,398 S *	4/2009	Lammel et al.	D23/238
D597,175 S *	7/2009	Kulig	D23/238
D645,120 S *	9/2011	Lammel et al.	D23/238

* cited by examiner

Primary Examiner — Robert Delehanty

(74) *Attorney, Agent, or Firm* — Muncy, Geissler, Olds & Lowe, P.C.

(57) **CLAIM**

The ornamental design for a basin mixer handle, as shown and described.

DESCRIPTION

FIG. 1 is a front perspective view of a basin mixer handle according to the present invention.

FIG. 2 is a left side view of the basin mixer handle of FIG. 1.

FIG. 3 is a right side view of the basin mixer handle of FIG. 1.

FIG. 4 is a top view of the basin mixer handle of FIG. 1.

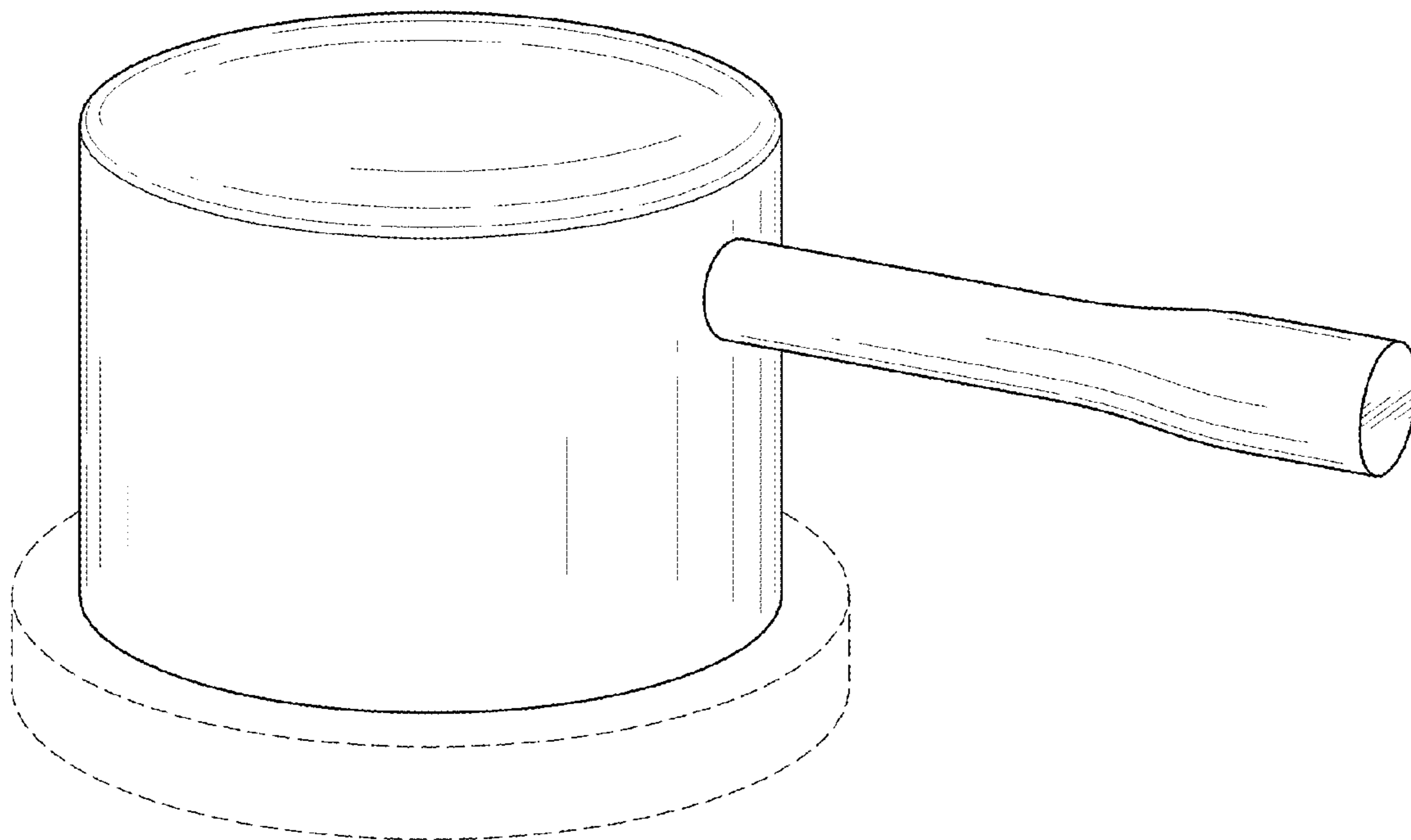
FIG. 5 is a bottom view of the basin mixer handle of FIG. 1.

FIG. 6 is a front view of the basin mixer handle of FIG. 1; and,

FIG. 7 is a rear view of the basin mixer handle of FIG. 1.

The dashed lines illustrate environment that does not form a part of the present invention, and no claim is made to the material illustrated with dashed lines.

1 Claim, 7 Drawing Sheets



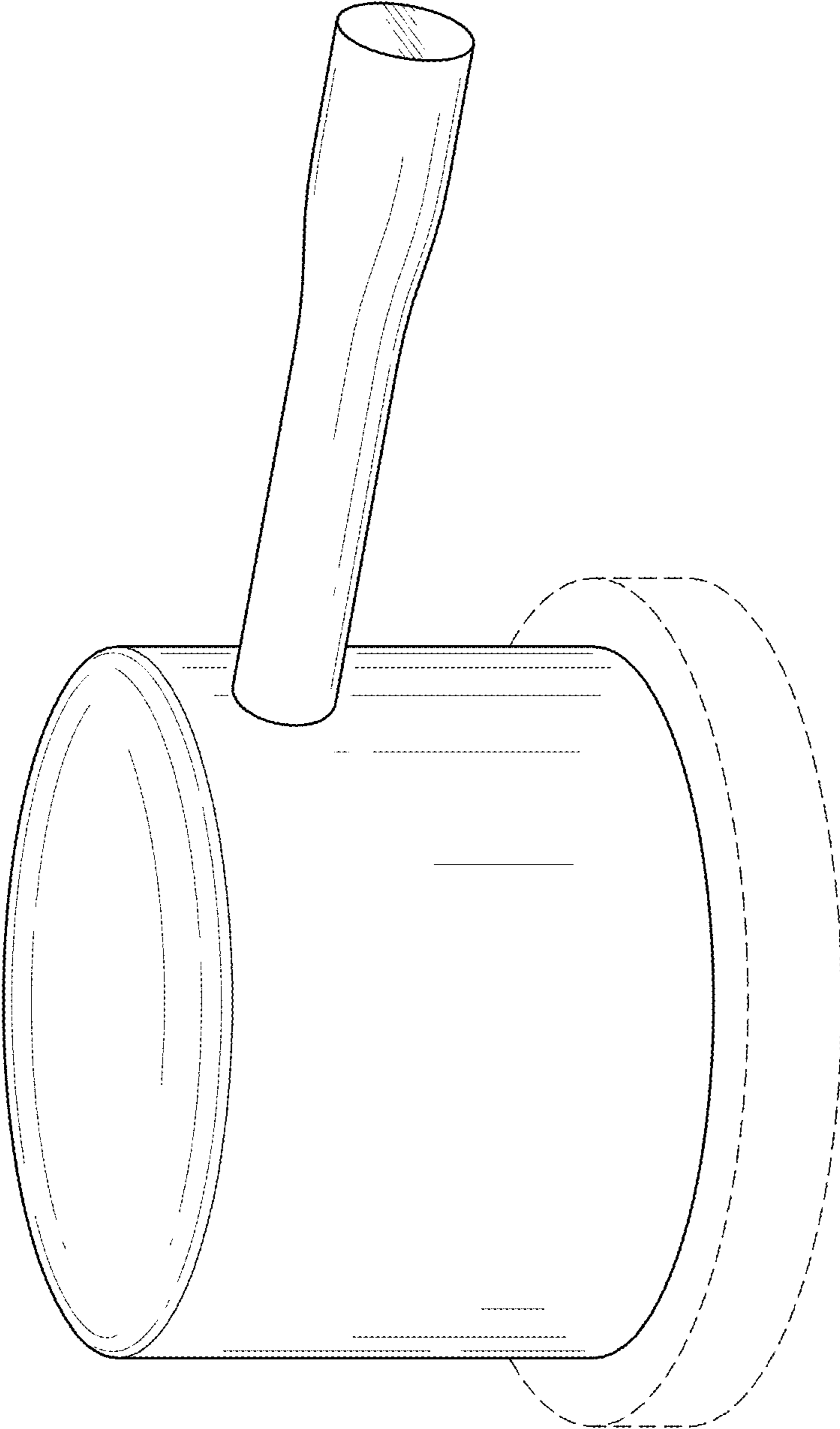


FIG.1

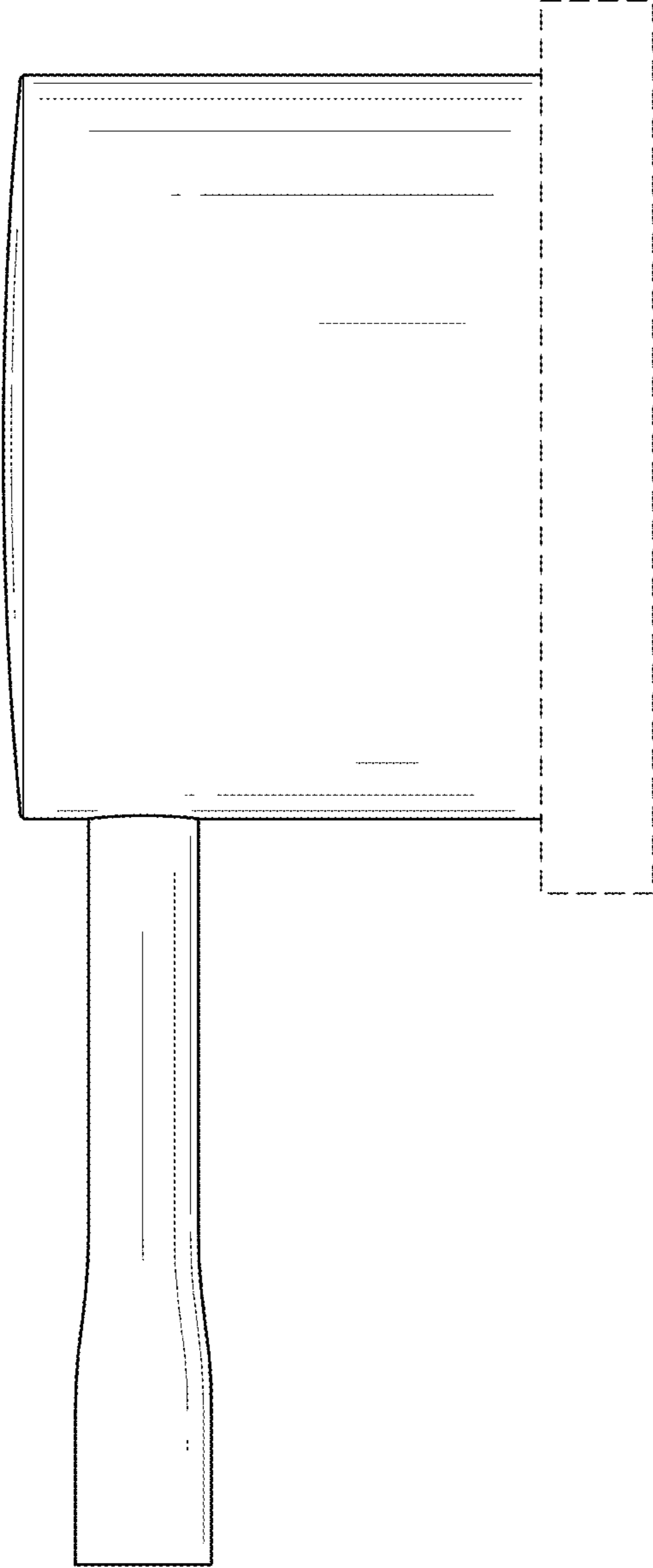


FIG.2

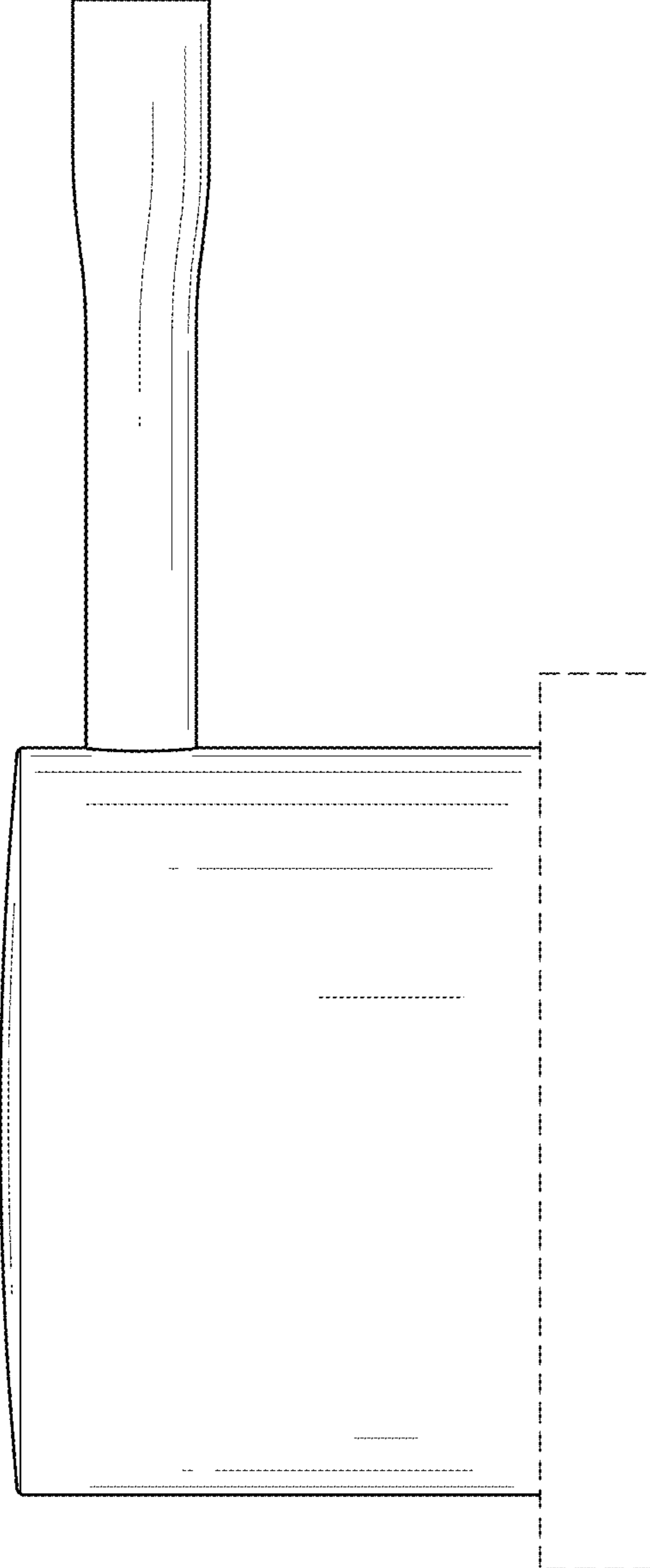


FIG.3

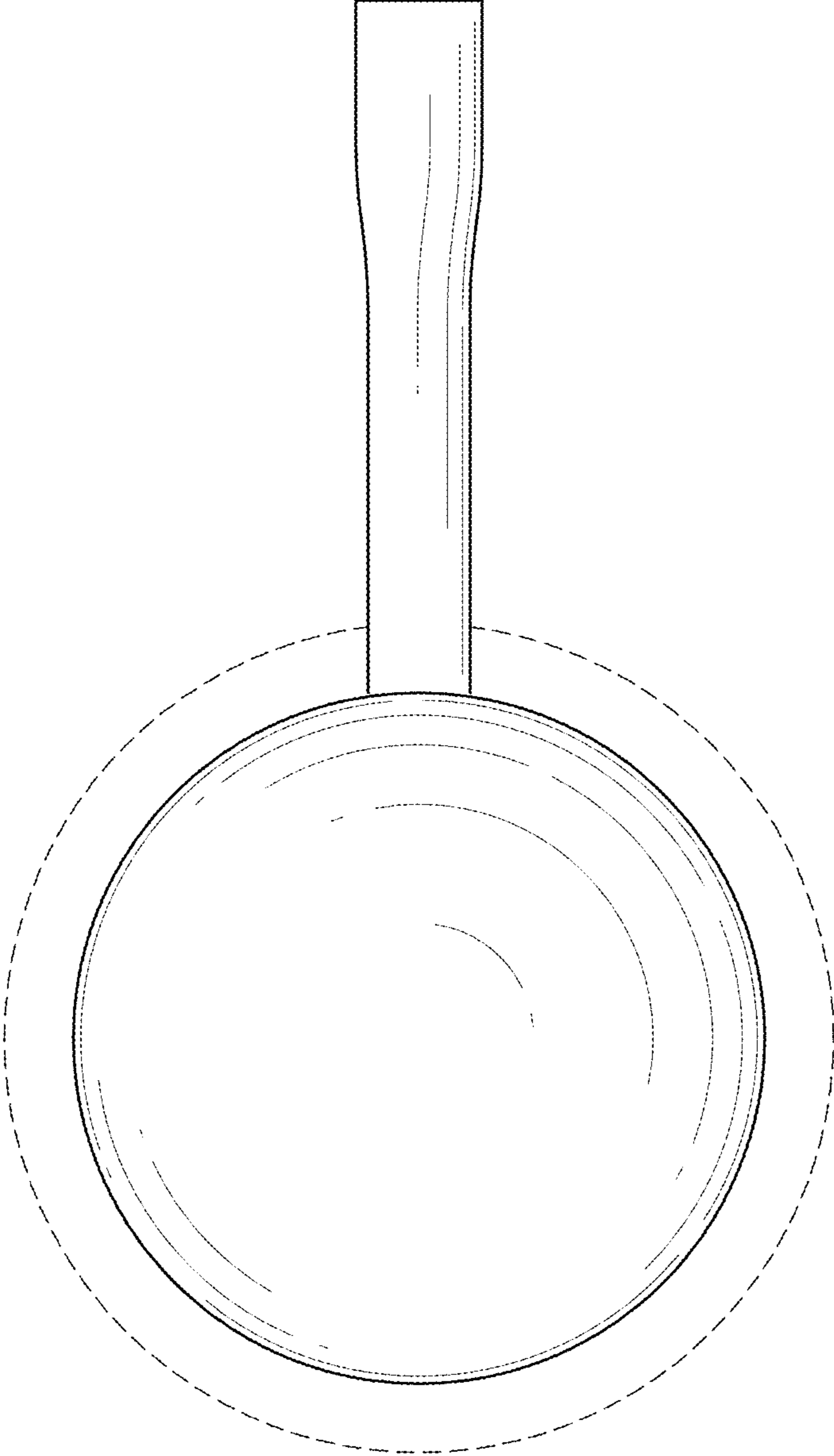


FIG.4

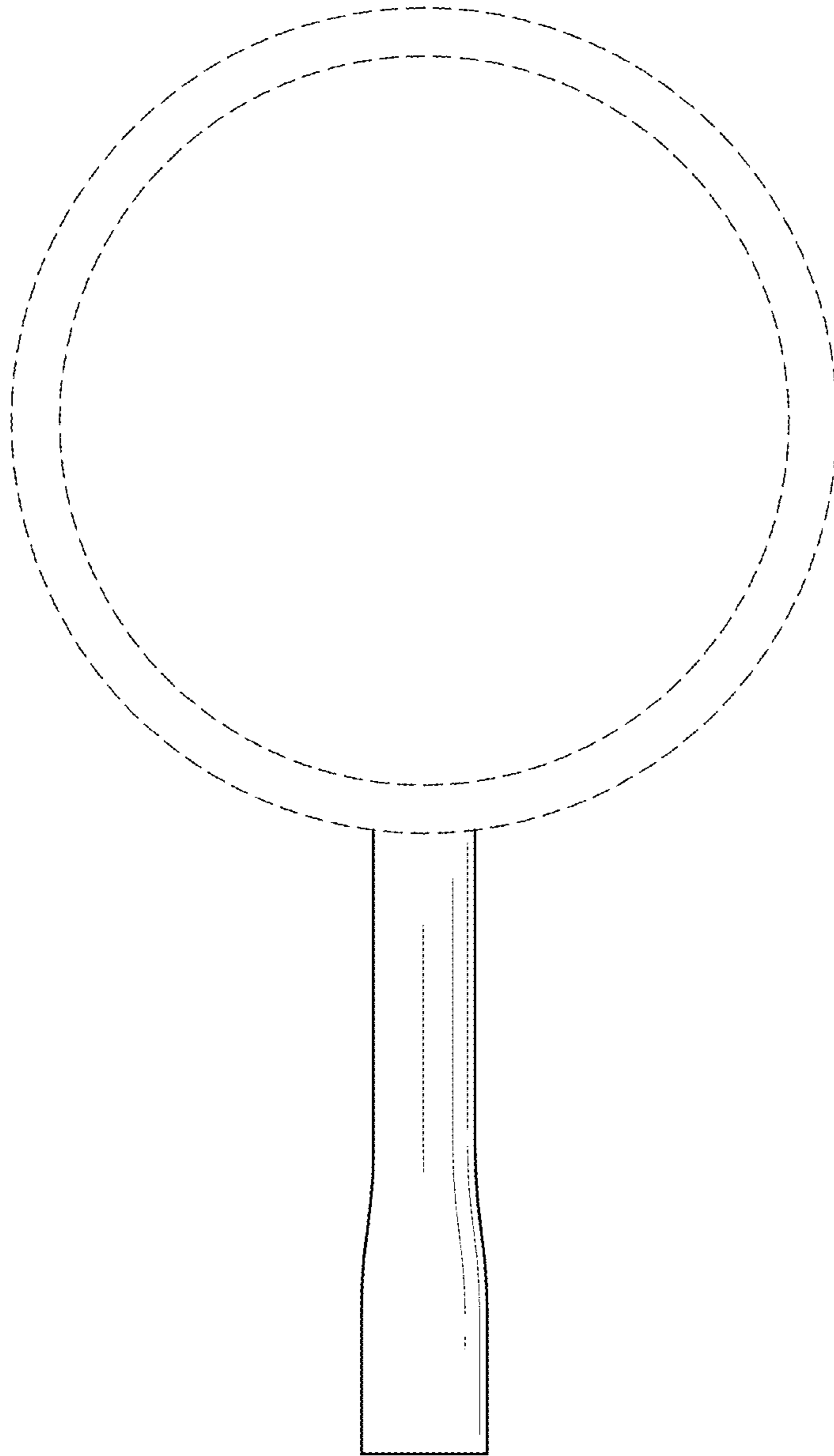


FIG.5

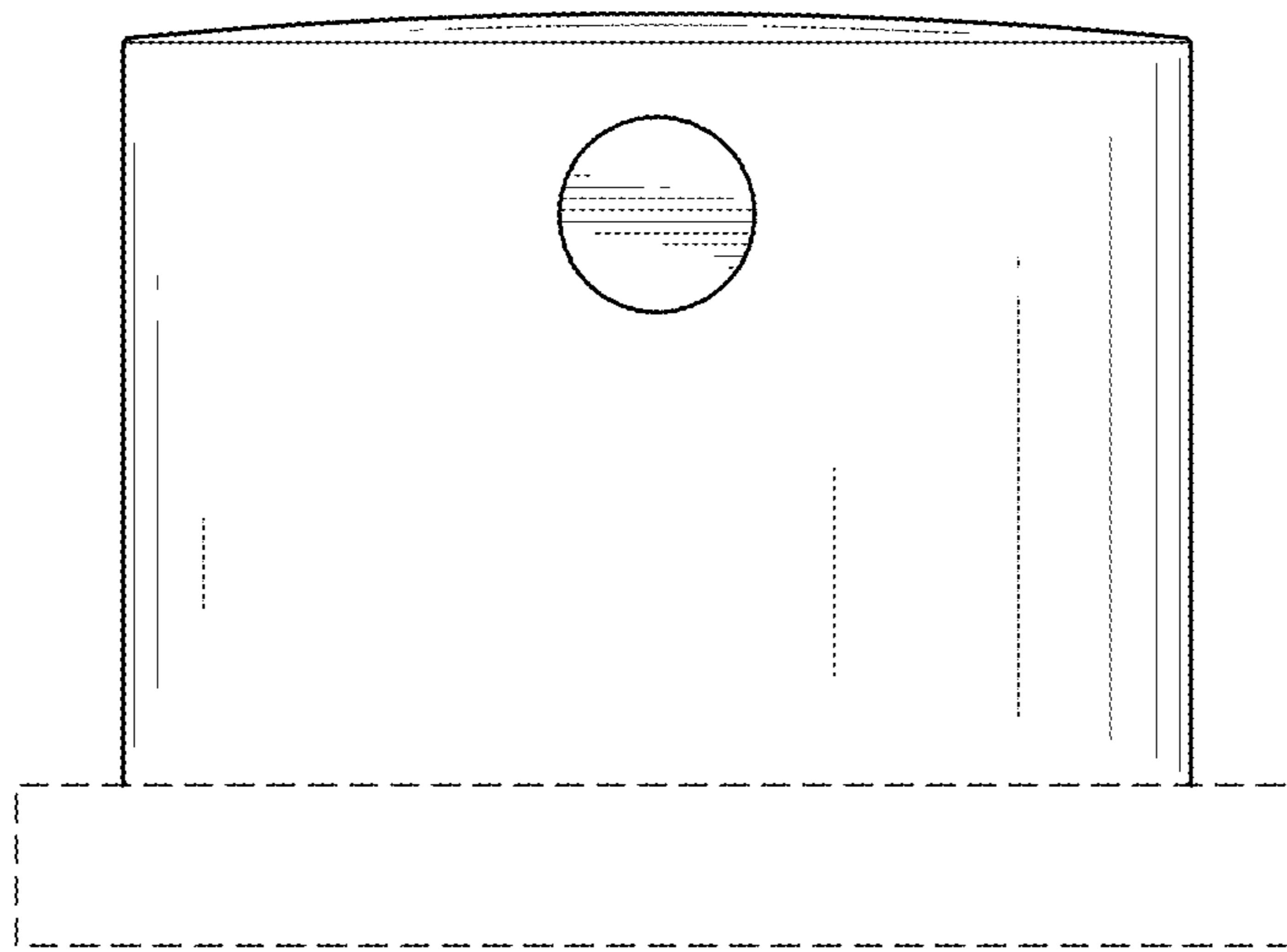


FIG.6

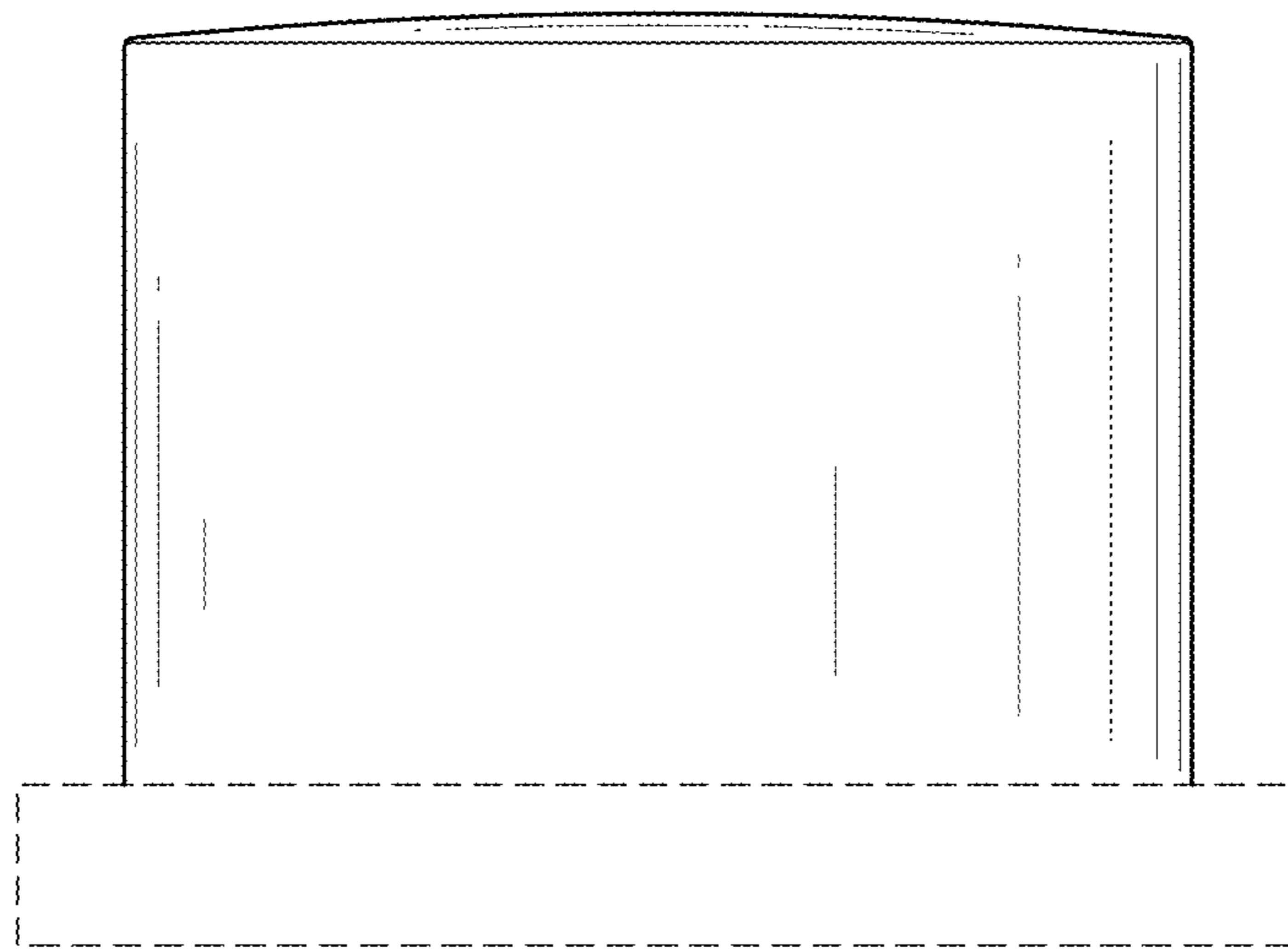


FIG.7